

NOTICE

- * Please make sure that you have all parts indicated and they are in good condition before you begin assembly of this item. Refer to part list and hardware list below for guidance.
- * This item should be assembled on a soft surface to prevent scratching the finish during assembly
- * This item may require periodic tightening

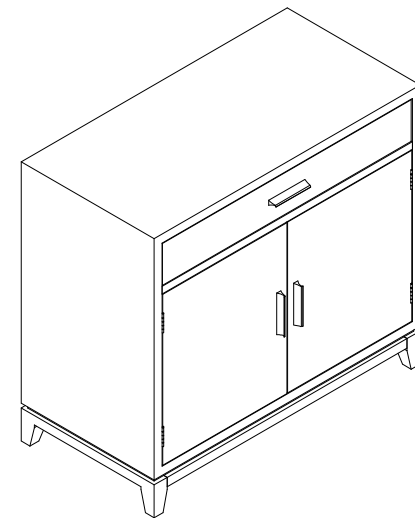
PREPARATION

- * Before beginning assembly of product, make sure all parts are present. Compare parts with contents list and hardware contents list.
- * If any part is missing or damaged, do not attempt to assemble the product.
- * Estimated Assembly Time: 5 minutes.
- * Tools Required for Assembly (included): N/A

CARE AND MAINTENANCE

Always use felt pads under all articles to prevent discoloration or softening of the lacquer. Plastic and rubber bases on items can discolor wood. Wipe up spills immediately and avoid common hazards such as hot dishes, harsh solvents and abrasives. Cleaning should be done with a soft lint free cotton cloth dampened with water or furniture polish. On highly used surfaces we recommend applying a quality paste wax which should be used on a regular basis to provide additional protection from scratches and spills. How often you apply the wax depends on how much wear the furniture receives.

32" X 16" X 29"



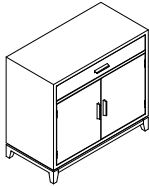

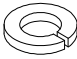
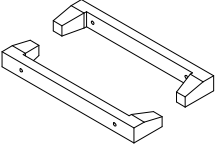

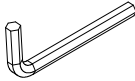
⚠ WARNING ⚠

Weight Capacity 120 LBS

Warning : Do not stand on table

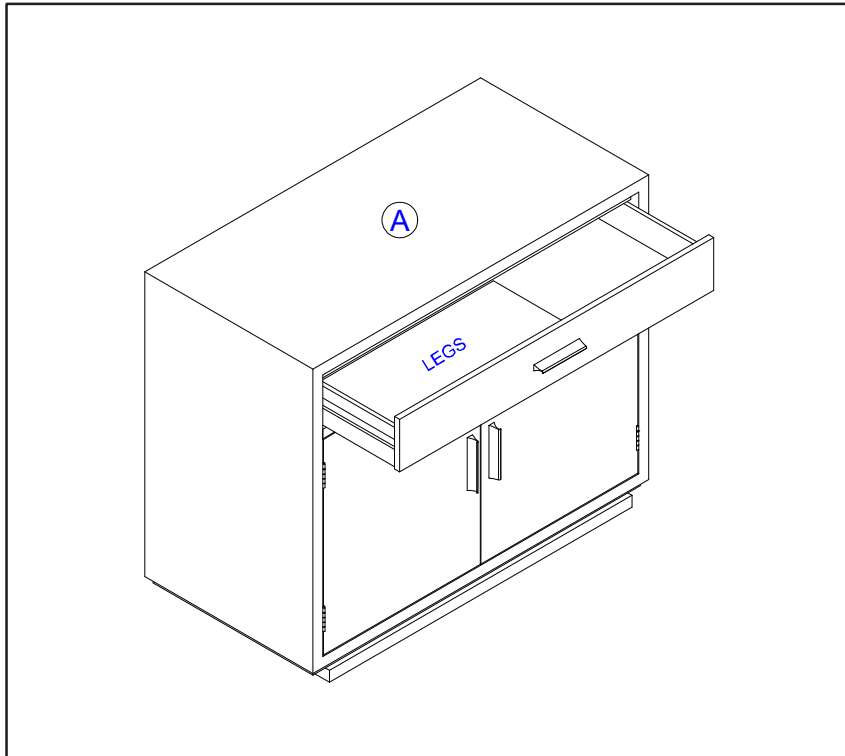
Warning : Do not over torque bolts

Part List and Hardware List

PIECE	DISCRIPTION	PICTURE	QTY	PIECE	DISCRIPTION	PICTURE	QTY	PIECE	DISCRIPTION	PICTURE	QTY
A	TOP		1X	H1	BOLT M6x40mm		4X	H3	SPRING WASHERS		4X
B	LEG		2X	H2	FLAT WASHERS		4X	H4	HEX KEY		1X

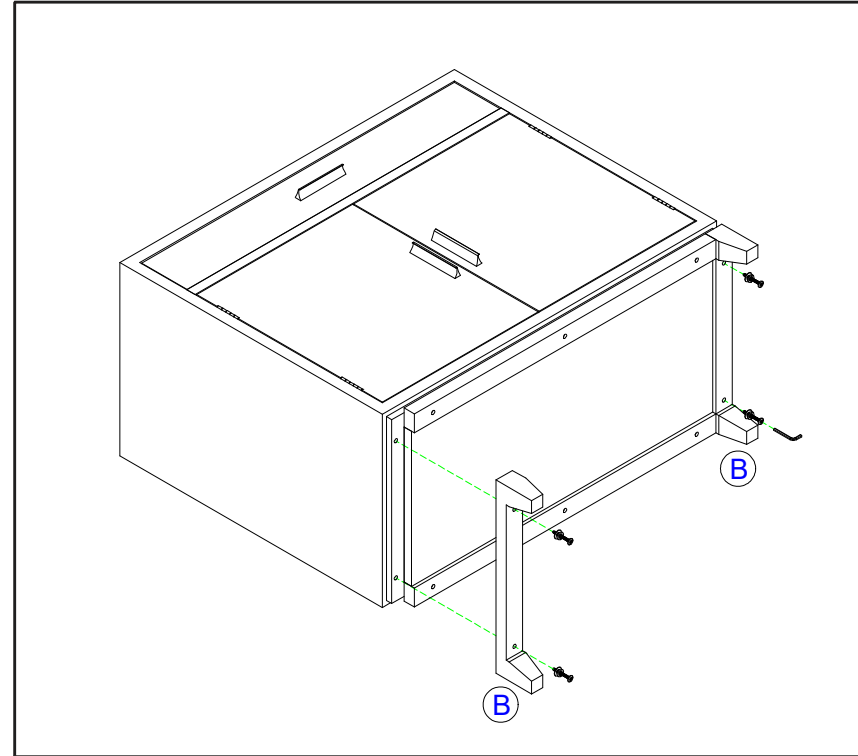
PREPARATION

- * Before beginning assembly of product, make sure all parts are present. Compare parts with contents list and hardware contents list.
- * If any part is missing or damaged, do not attempt to assemble the product.
- * Estimated Assembly Time: 5 minutes.
- * Tools Required for Assembly (included): N/A



Step 1 :

1. Open the first top drawer of cabinet
2. Take the Legs in the first top drawer of cabinet
3. You need 2 (two) people for the next assembly process



Step 2 :

1. Position the Box as shown in the picture
2. Attach a leg to its Position
3. insert bolt (H1) with spring washer (H2), Spring Washer (H3) into the holes and tighten it with hex key (H4)
4. Do the same to other legs