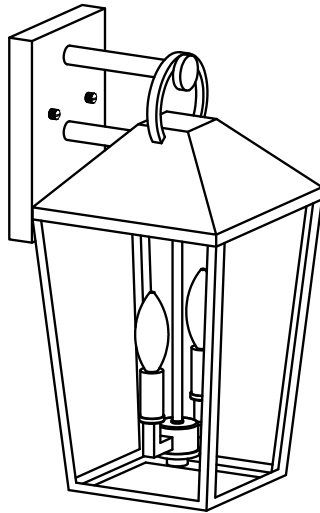
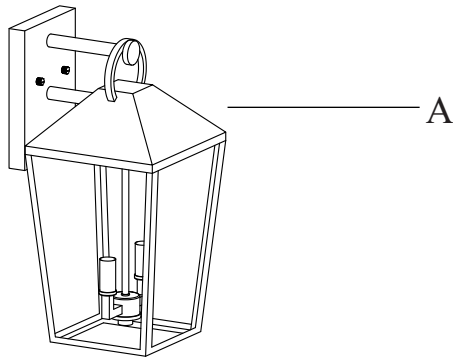


# Instruction Manual

## Outdoor Wall Sconce



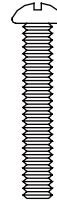
### PACKAGE CONTENTS



PART		QUANTITY
A	Fixture	1

### HARDWARE CONTENTS(shown actual size)

AA



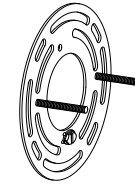
Long  
mounting x 2  
screw

BB



Wire nut x 3

CC



Mounting plate  
(Not actual size) x 1

DD



Nuts x 2

### ! WARNING

- TURN OFF ELECTRICITY at main fuse box (or circuit breaker box) before beginning installation by removing fuse (or switching off circuit breaker).
- MINIMUM 90°C SUPPLY CONDUCTORS.

### PREPARATION

Before beginning assembly of product, make sure all parts are present. Compare parts with package contents list and hardware contents list. If any part is missing or damaged, do not attempt to assemble the product.

**Estimated Assembly Times: 25 minutes**

Tools Required for Assembly (not included): Flathead screwdriver , Phillips screwdriver, Pliers, Electrical tape, Wire cutters, Safety glasses.

Helpful Tools (not included): Wire strippers, Step ladder.




CAUTION: To avoid any waterproofing problems, please make sure the light fixture fits the mounting surface perfectly installation and use waterproof glue around the canopy for better sealing after installation.

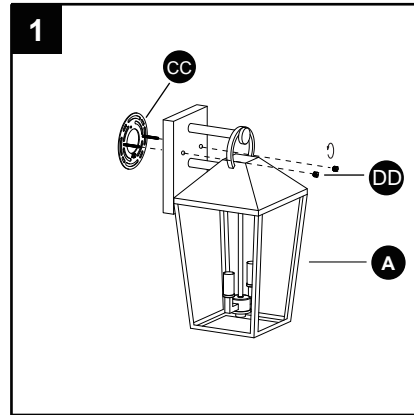
Customer Service: [service@24h-reply.com](mailto:service@24h-reply.com)

# ASSEMBLY INSTRUCTIONS

1. Unscrew Nuts(DD) from the lamp body (A) and remove the Mounting plate(CC)


## Hardware Used

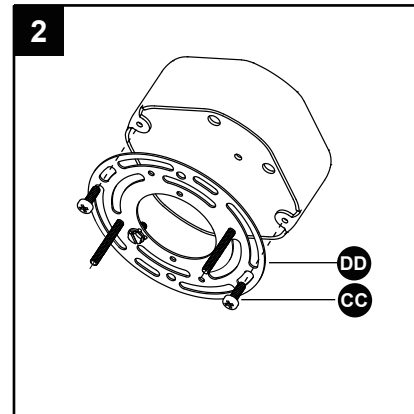
- A** Fixture  x 1
- CC** Mounting plate  x 1
- DD** Nuts  x 2



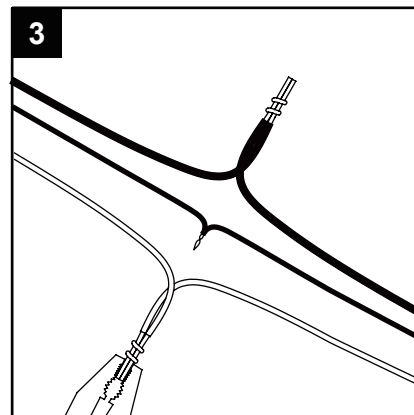
2. Attach the mounting plate (CC) to the outlet box (not included) with the long mounting screws (AA).

## Hardware Used

- AA** Long mounting screw  x 2
- CC** Mounting plate  x 1



3. Strip 3/4 in. of insulation from wire ends. Twist stripped ends together with pliers (not included), black to black (power) and white to white (neutral). Attach copper wire to ground wire. Helpful hint: If necessary, attach copper ground wire to grounded outlet box.

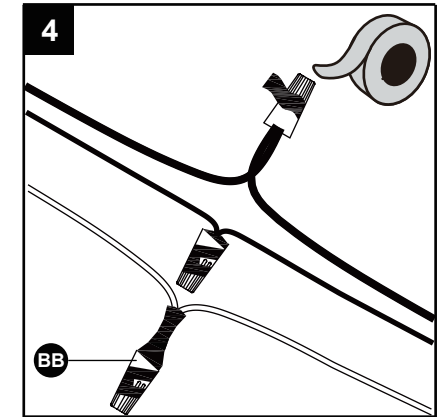


# ASSEMBLY INSTRUCTIONS

4. Attach wire nuts (BB). Tape wire nuts (BB) and wires together.



## Hardware Used

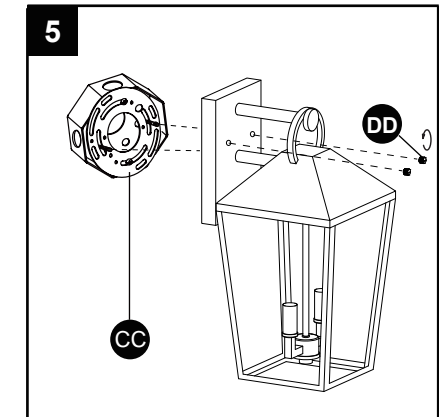
- BB** Wire nut  x 3



5. Place the holes of the lamp body wall panel over the Mounting plate(CC) screws and secure them with nuts(DD).

## Hardware Used

- CC** Mounting plate  x 1
- DD** Nuts  x 2



6. Install light bulb (not included). Use one standard-base bulb.

