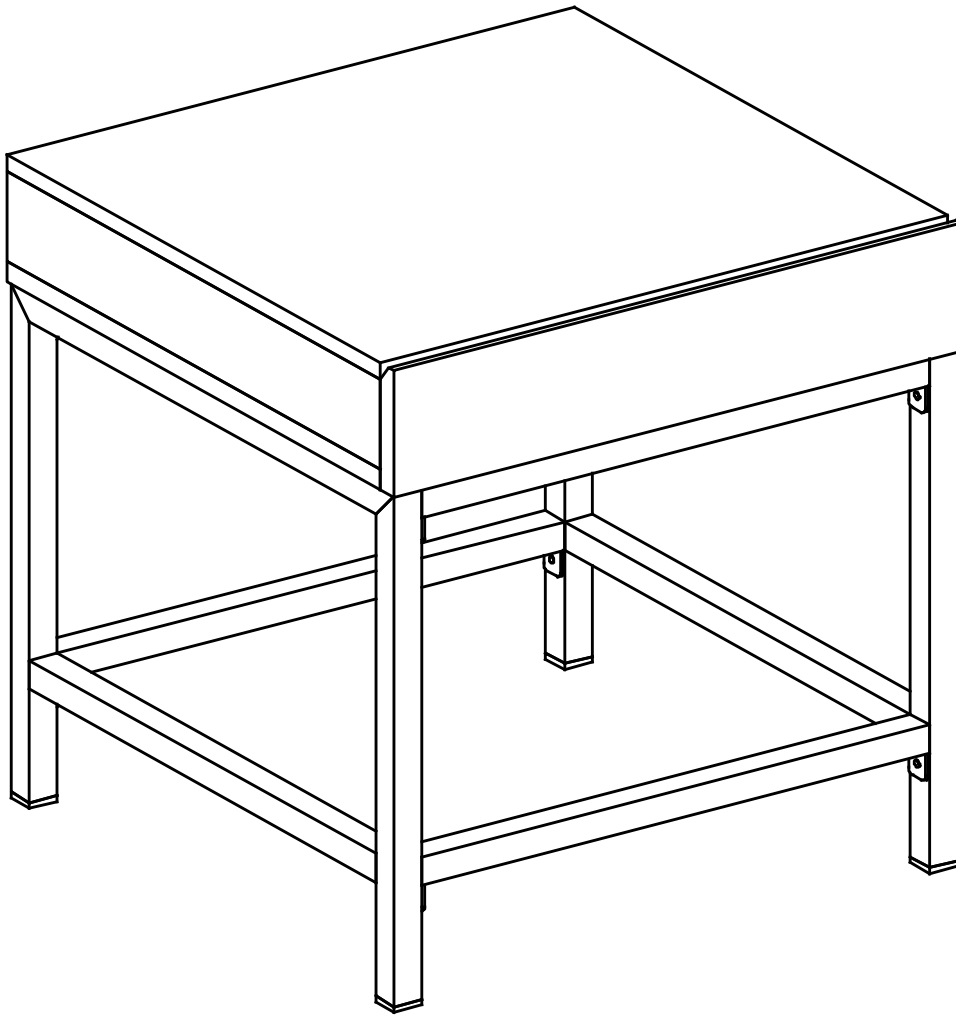


Assembly Instructions

TABLE

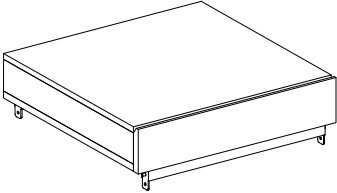
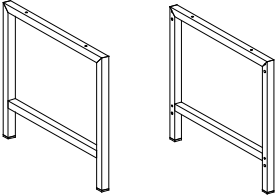
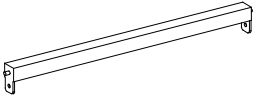
CAUTION: You must read this before you proceed.




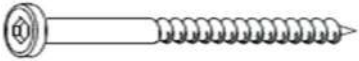


CAUTION : This Table is NOT a TOY. Keep your child / children at bay in the process of assembly.

For turning the Table and to prevent damage to the Table, 02 persons may be needed to execute this action.

Parts List

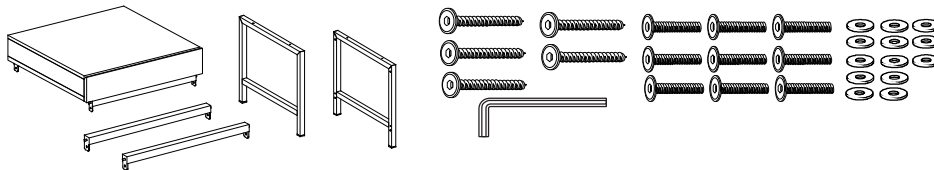
No.	Picture	Description	Qty
A		Table top	1
B		Leg Panel	2
C		Support Bar	2

Hardware

No.	Picture	Description	Qty
①		Bolts 6x15	9
②		Screws 6x40	5
③		Flat Washers (M6)	13
④		Allen Key	1

Assembly Preparation

Before Beginning Assembly:



Read instructions, cover to cover.



Have 2 adults on hand for assembly.



Do not assemble on flooring or carpet.



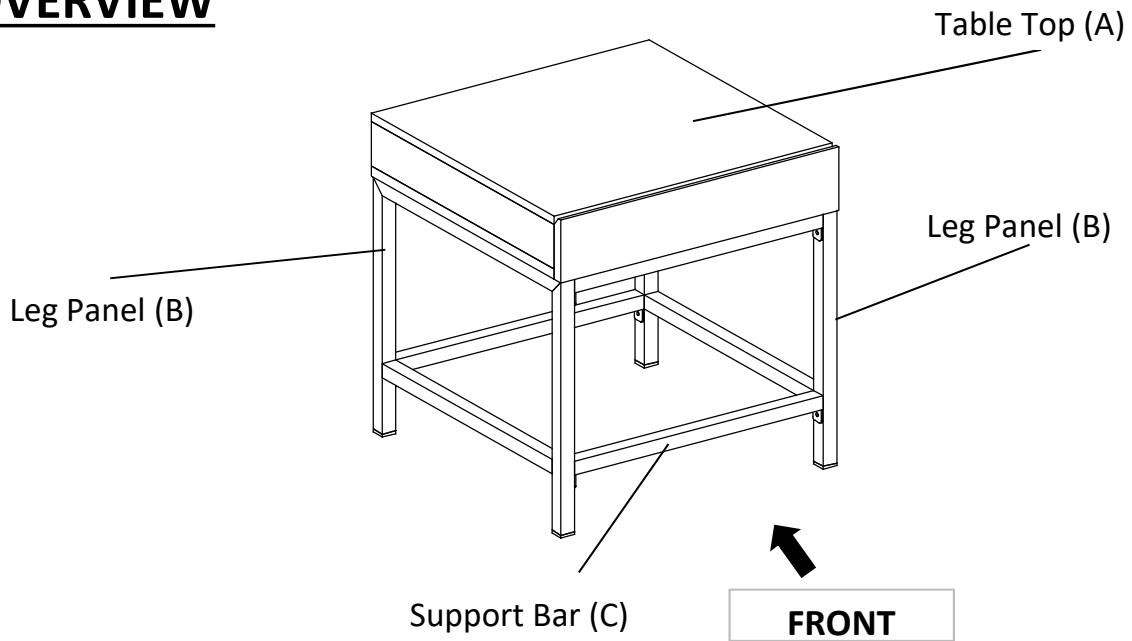
Assemble on a clean non-marring surface (packing foam).



Save all packaging until finished.

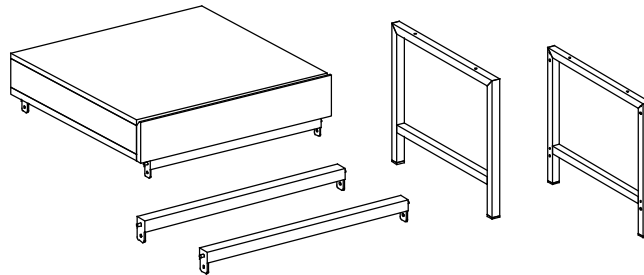
Assembly Steps

OVERVIEW



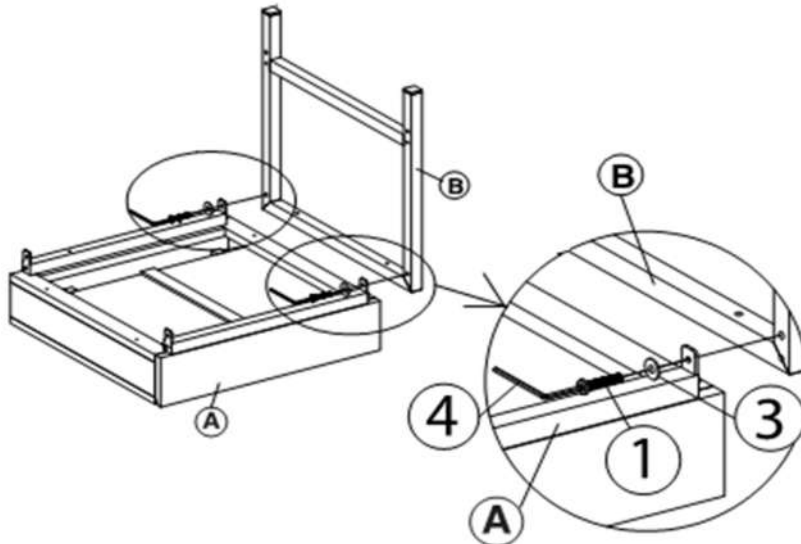
This Table has multiple parts and may require up to some 30 minutes to assemble. To give you an overview of the Table parts, the above picture is to help you put the various parts into perspective. Please read through the instructions here below to familiarise the parts and steps before assembly.

Step 1



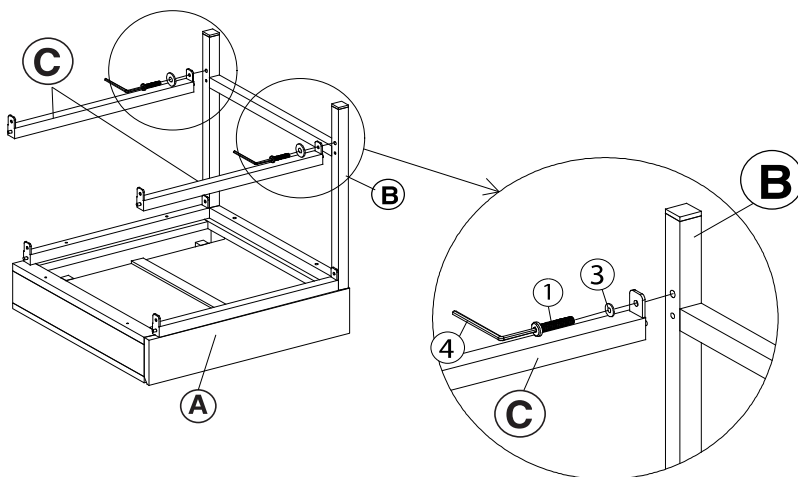
Unpack and place all parts on a clean non marring flat surface .

Step 2



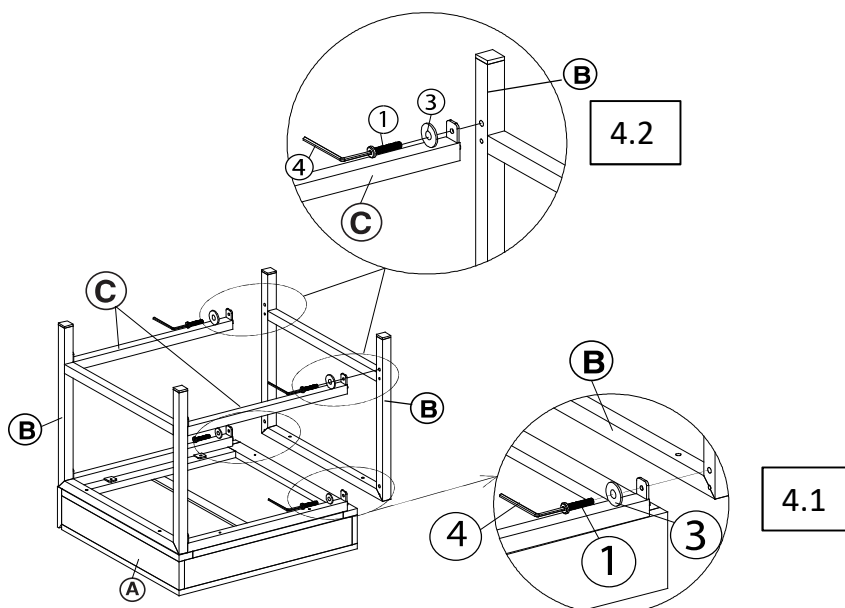
Place the Table Top (A) facedown, onto a clean, soft surface to avoid any scratches or damages to the product. Position the Leg Panel (B) into the Table Top (A) as shown in picture above. Then affix Left Leg Panel (B) to Table Top (A) by using Bolt (①), Flat washer (③) and Allen Key (④). **DO NOT FULLY TIGHTEN THE BOLTS.**

Step 3



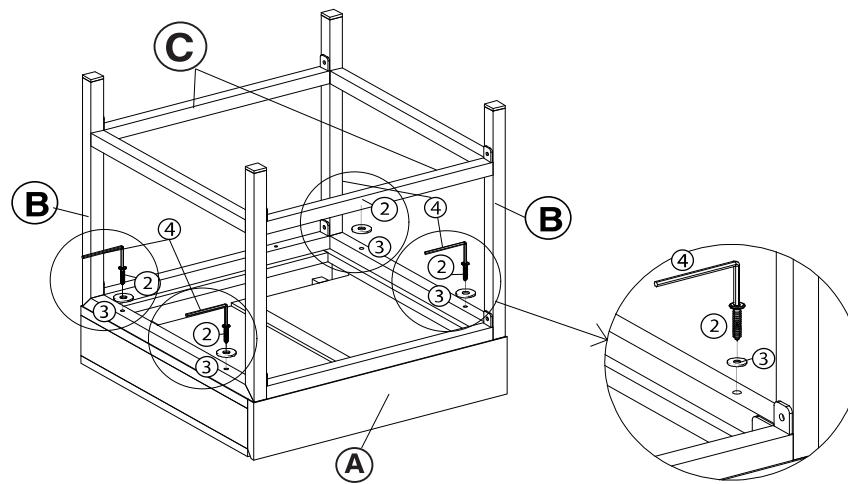
Attach the Support bar (C) into the housing on the Leg panel (B) as shown in picture. Then affix them by using Bolt (①), Flat washer (③) and Allen Key (④). Repeat the same process to affix another Support bar (C) with the Leg panel (B). **DO NOT FULLY TIGHTEN THE BOLTS.**

Step 4



Step 4.1: Repeat the same process as Step 2 to attach remaining Leg (B) to Table top (A).
Step 4.2: Repeat the same process as Step 3 to attach remaining Leg (B) to Support bars (C)
DO NOT FULLY TIGHTEN THE BOLTS.

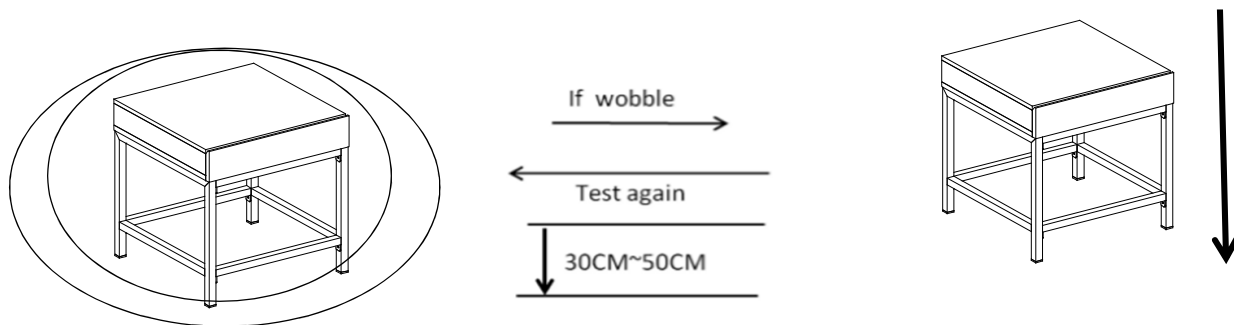
Step 5



Secure the iron frame to the wooden table top by using Screws (②), flat washer (③) and Allen Key (④) as shown in picture.

DO NOT FULLY TIGHTEN SCREWS.

Step 6



Turn the Table right side up
Place the Table on a **LEVEL SURFACE** to see if it wobbles.

If it wobbles, lift the Table to some 30cm to 50cm height from the ground.
Keep your feet and toes well away from the drop zone.
Drop the Table freely and vertically with the four legs, hitting the ground, at the same time.
This Drop Test will help to ensure that all the screws and gaps to all reach full alignment status.
Test again for evenness on a **LEVEL SURFACE**.
If no wobbles found, proceed to tighten all the screws.

CAUTION: When tightening these screws, tighten sequentially.

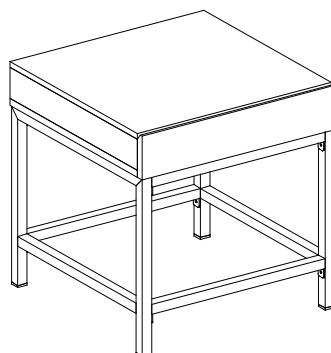
DO NOT tighten any screw fully and then towards the next one.

This would cause the frame to warp.

If there is still wobbles, loosen the screws and execute this same drop tests.

WARNING ! IF TABLE IS NOT STABLE , IT COULD LEAD TO DAMAGE THE PRODUCT.

Step 5












Ensure all screws are fully locked into position.

The Table is ready to be used.

Caution: This Table can only be used on a flat, level surface.

Care & Maintenance

-  Do not put hot items directly on furniture surface.
-  Do not clean furniture with harsh cleansers or polish.
-  Do not place furniture under direct sunlight.
-  Do not place furniture near heating or cooling vents.
-  Do not write on furniture without a padded barrier to protect the surface.
-  Do not place furniture outside. For indoor use only.
-  Not for commercial use. For residential use only.
-  Stains may be removed with mild soap solution and damp cloth.
-  Children should not climb or jump on the furniture.

-
-  Dust and pick-up spills using a clean, non-colored, lint-free cloth.

What is Proposition 65?

Proposition 65 is a California law that requires warning labels on products that may contain one of more than 800-plus chemicals or ingredients that the California Office of Environmental Health Hazard Assessment (OEHHA) has deemed to cause cancer or other reproductive toxicity. Chemicals and elements on this list include wood dust, brass, and other everyday substances, which can be found in very common household items, such as: lamps, tableware, jewelry, crystal glasses, electric cords, beauty products, automobiles, and furniture.

Why Did I Find a Proposition 65 Warning on My Home Goods Product?

We include Proposition 65 warnings on all of our products because there is always a chance that one of the 800-plus common chemicals and ingredients listed under this law could potentially be on our furniture or packing materials. We risk large fines under this law, if we don't include this warning.

Should I worry?

We realize you may be worried finding this warning on our products, but we want to reassure you that the hazardous exposure limits for any of these chemicals have never been found on furniture products that we've shipped to our customers. Additionally, this warning label is very common and can be found on almost every piece of furniture sold in the state of California.

Just How Common Are Proposition 65 Warnings?

Proposition 65 warnings have become so common in California that it is hard to take a trip to a local bank, grocery store, or restaurant without finding at least one warning. In fact, even the Disney Land Resort has a Proposition 65 warning:



Minh: It's outdoor or
indoor?
Brian: Revised

