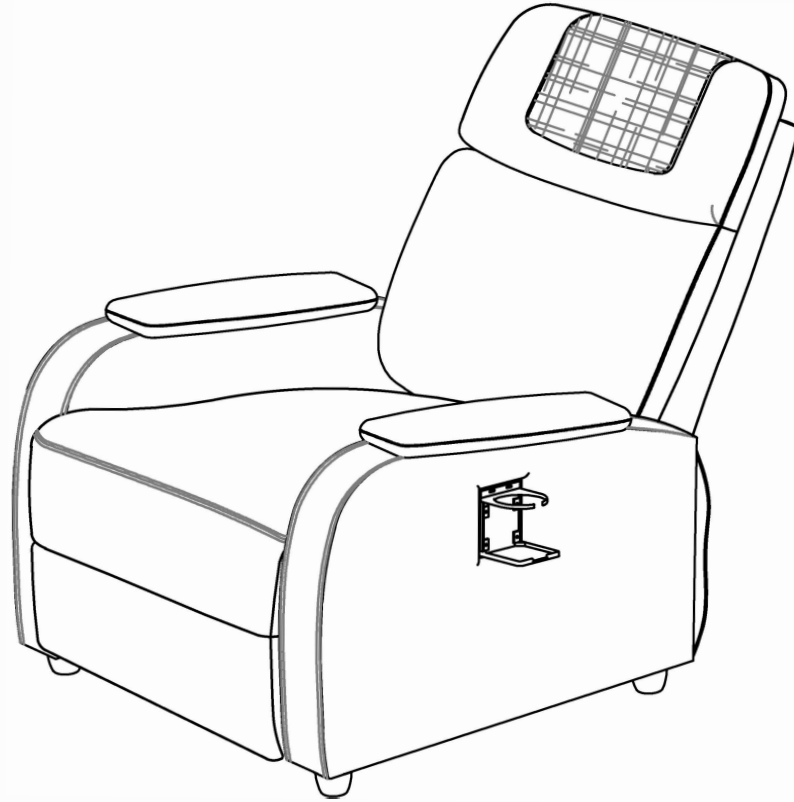


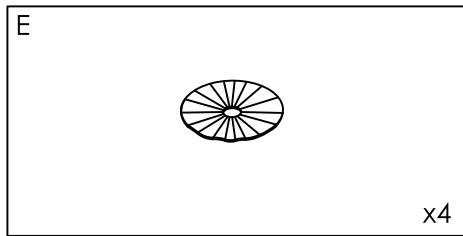
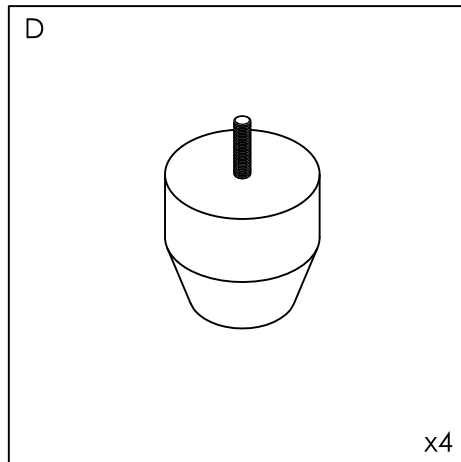
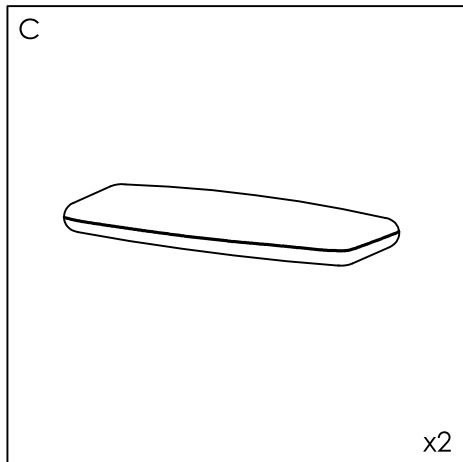
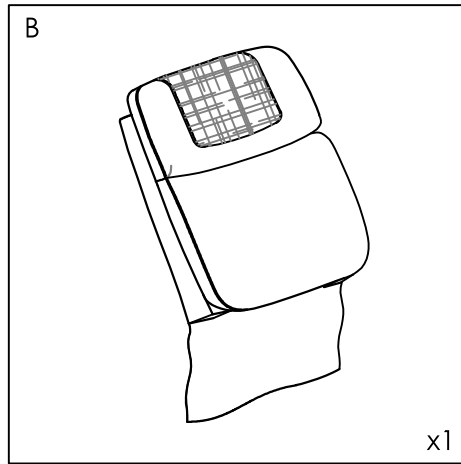
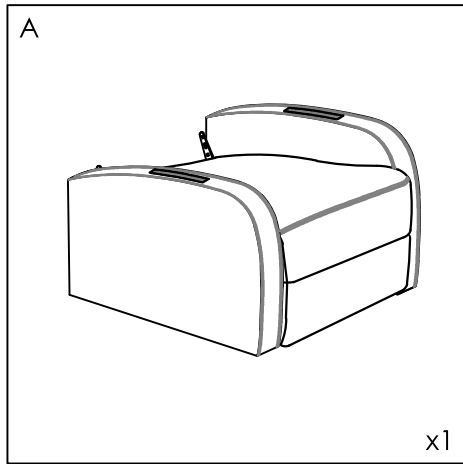
User Manual



Component List

NOTICE:

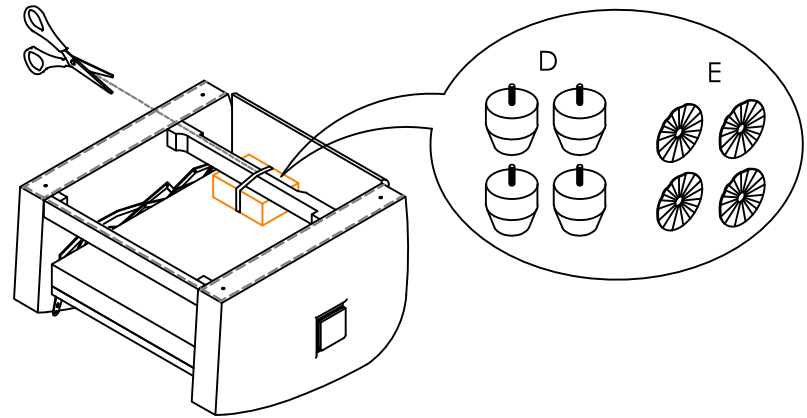
Chair legs are placed in the small box at the bottom of the chair.



Assembly Instructions

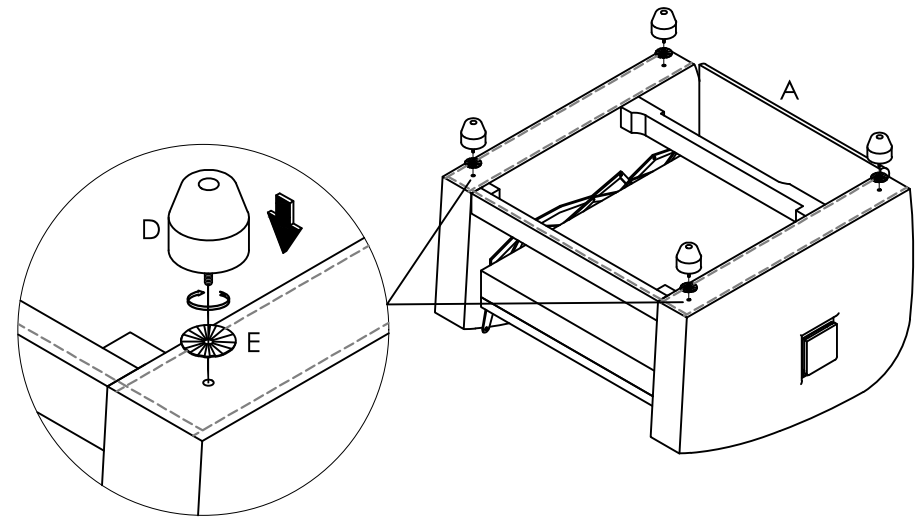
1

Before assembling, cut the straps and remove the parts from the box.



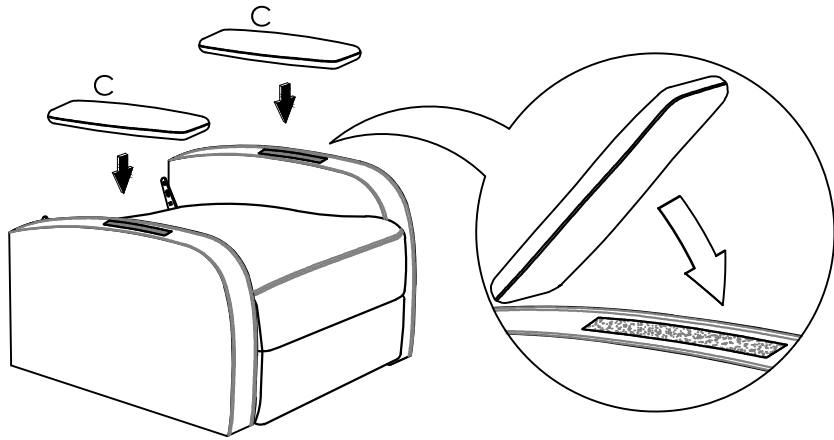
2

Screw the chair legs and plastic washers into the holes at the bottom of the seat, as shown in the figure. Then turn the assembled chair into an upright position.



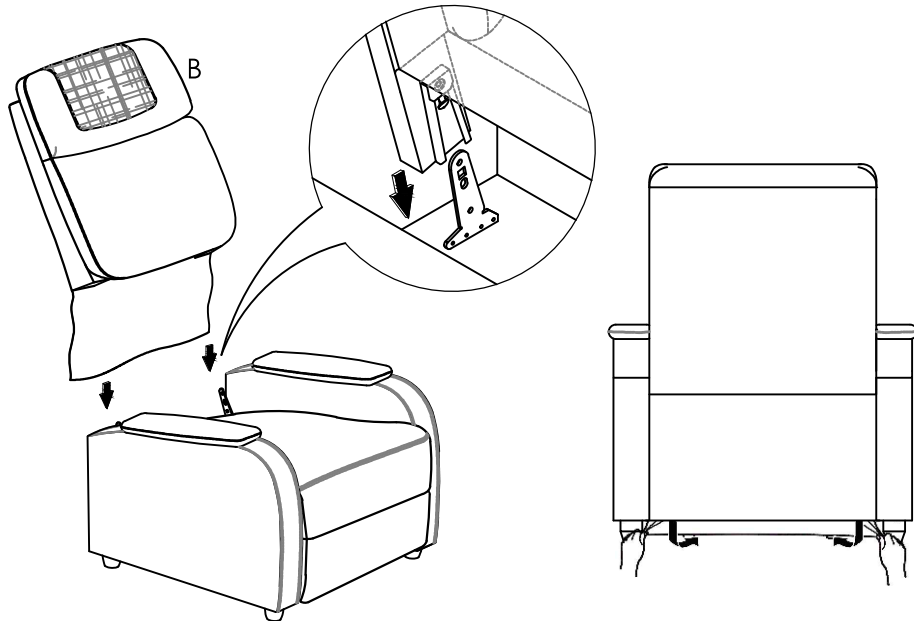
3

Attach the armrest pillow to the armrest of the seat body with Velcro.



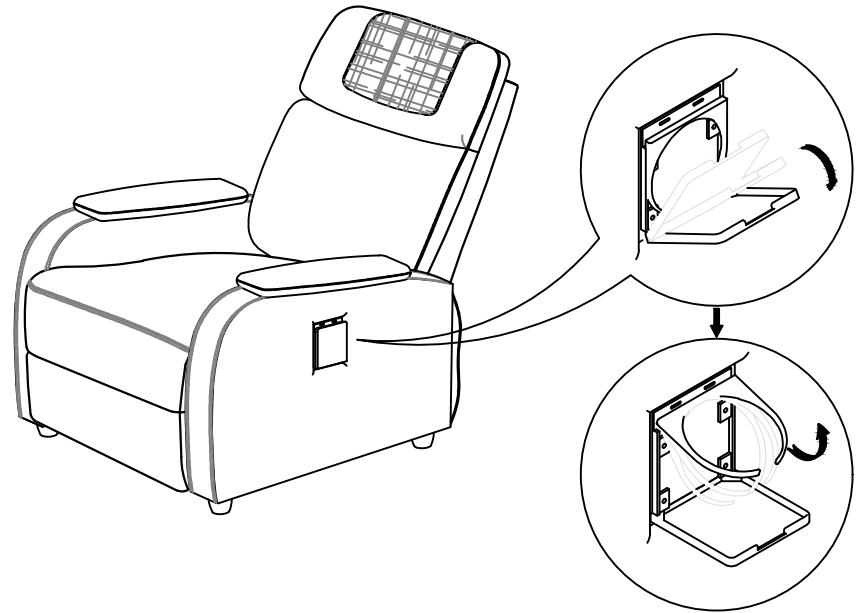
4

Align the hook-loop brackets and get the backrest into the seat body. Gently push down until the back locks into position, then attach the back cover to the bottom of the seat with Velcro.

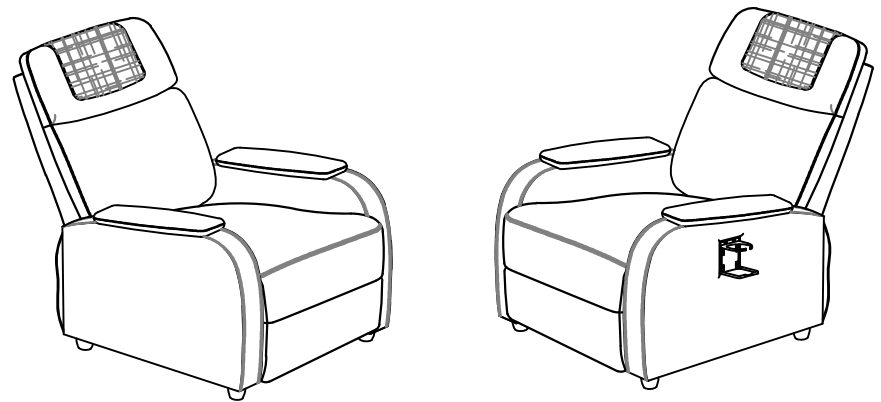


5

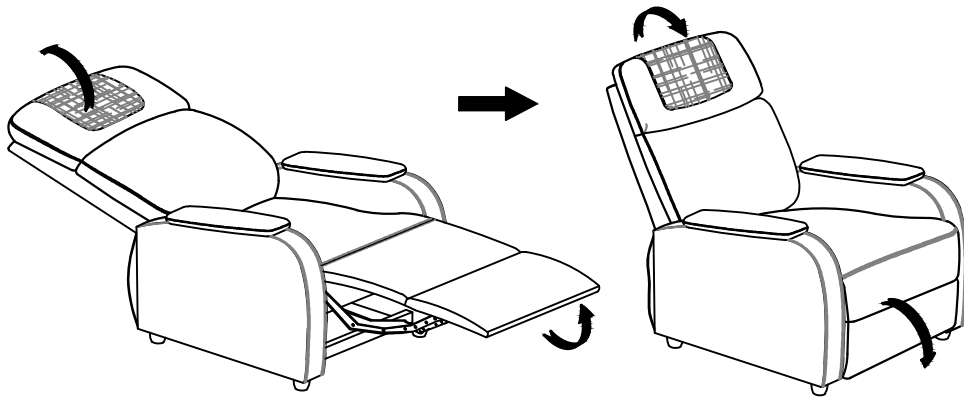
Open the tray to use, as shown in the figure below.



6



Adjust the reclining angle



Maintenance Instructions

TO STORE:

Place the unit in its box or in a safe, dry, and cool place. Avoid contact with sharp edges or pointed objects that might cut or puncture the fabric. Do not wrap the power cord around the unit, and do not hang the unit by the power cord.

TO CLEAN:

1. Do not submerge the unit in any liquid for cleaning. Clean the fabric cover by wiping it with a damp sponge and using mild detergent or sudsy water. Pat dry with a clean, dry cloth.
2. Do not use abrasive cleaners, brushes, gasoline, kerosene, glass or furniture polish, paint thinner, or water hotter than 120°F to clean the unit.

Ensure the unit has cooled down before wiping it down with a damp, clean cloth. Avoid using any strong chemical cleaners.

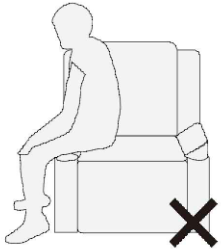
Important Safety Instructions

Warning

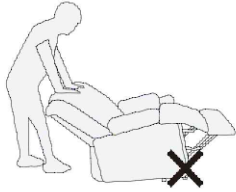
1. Do not stand on this chair. Do not use this chair as a stepladder.
2. Use this chair only for seating one person at a time.
3. Do not use this chair unless all bolts, screws, and knobs are firmly secured.
4. Check all bolts, screws, and knobs on a regular basis.
5. This chair should not be used with damaged or missing parts. Contact an authorized service provider to repair or replace parts damaged or missing.
6. Failure to follow these warnings could result in serious injury.

When using, basic precautions should always be followed, including the following:

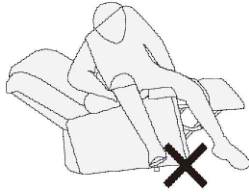
1. Do not use outdoors.
2. Do not carry this appliance by supplied cord as a handle.
3. Keep the cord away from heated surfaces.
4. Close supervision is necessary when this appliance is used by or near children, invalids or disabled persons.
5. When moving the footrest, please ensure that there are no people, pets, or obstacles nearby, otherwise accidents such as collisions or crushing may occur.
6. Do not jump on the footrest or on the sofa as it may cause damage or injury.
7. Do not stand or sit on the footrest when it is extended, as this may cause the frame to break or flip over.
8. The product has been tested and approved for users weighting up to 300lbs per seat.



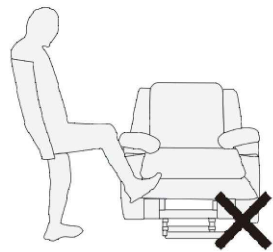
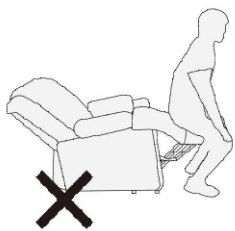
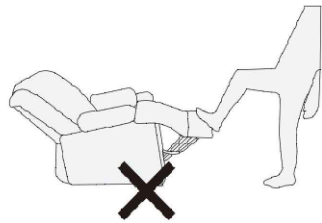
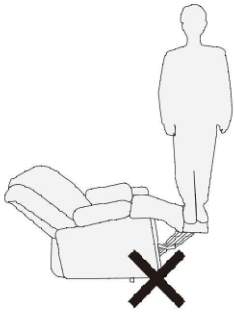
Do not sit on or
press armrest



Do not press backrest
after recline



Do not get off the chair
after recline



Do not sit/kick/stand on the footrest when
the chair is on reclining position