

Thank you for purchasing

SERVICE CARD

We strive to make sure each item you got is perfect and ensure all parts and hardware are included in our package. However if you are experiencing a shortage of any parts or hardware, PLEASE do not return the product to any local store directly. Try to contact us, we will do our best to solve your problem and expedite the missing item to you as soon as possible from our local customer service center.

NOTICE



Read this assembly manual carefully and make sure you have all the parts list below before you begin to install. Keep this assembly manual for future reference.



Move this stand gently with 2 persons.



Protect finishes by placing furniture pieces on a soft carpeted surface during assembly.



Do not place very hot/cold objects on top of any surface. Always use a coaster or mat. Never leave liquids on the surface. Clean immediately with a mild soap and a damp cloth. Never use scouring powder based cleanser. Don't touch the glass surface with a hard/acute object it may cause the glass to shatter.



DO NOT ASSUME CHILD SAFETY WITH ANY PIECE OF FURNITURE!

Do not allow children to climb on furniture. Improper use can cause death or serious injury. If you are placing a TV on top use safety straps on your TV to prevent the risk of a toppling television. Furniture straps fastened to a wall can also be used to help ensure safety.

Damaged parts or furniture put together incorrectly can lead to serious injuries. Make sure to follow instructions correctly.

PARTS LIST

1 x1	2 x1	3 x2	4 x1	5 x2
6 x1 (paper gasket)	7 x1 (Iron washer)	8 x1 (plastic)	9 x2	
A1 x3	A2 x4	B1 x8	C1 x4	C2 x2
D1 x2	D2 x2	E1 x2	E2 x2	F1 x1 (4mm)
S S ₁ ... S _n Screws for TV				F2 x1 (5mm)
Tools Required (Not included)				

Customer Service Supports

North America 1 626 400 2997 (CST 8AM - 5PM Mon.-Fri.) cs@rfiver.com
 Europe eucs@rfiver.com
 Asia 0086 574 87385830 (UTC 9AM - 5PM Mon-Fri) jpcs@rfiver.com

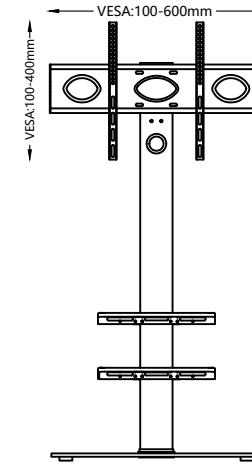
Please provide following information when you contact us. Your detail information will help us to bring you a more faster and effective service for you. Appreciate your kindly understanding and patience!

1. Your **Order No.** (Comes from your marketplace dashboard) . **Model No.** (On the left side below) **Series No.** (On the right side below)
2. Marketplace you place the order : Amazon, Walmart, Ebay or Others
3. What's the problem you had and the help you need

Model No.

TF2002

Series No.



1



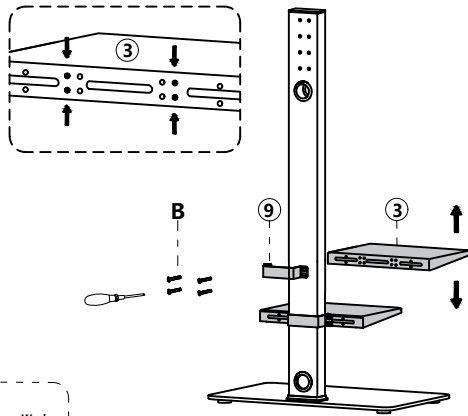
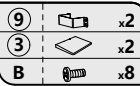
Please do not fully tighten before screwing into the right holes.

A	A1 x3	1 x1
	A2 x4	2 x1
F	F2 x1	6 x1
8	x1	7 x1

2

⚠ Think about and choose the height you want to place your audio video devices .

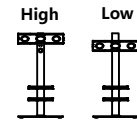
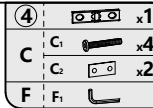
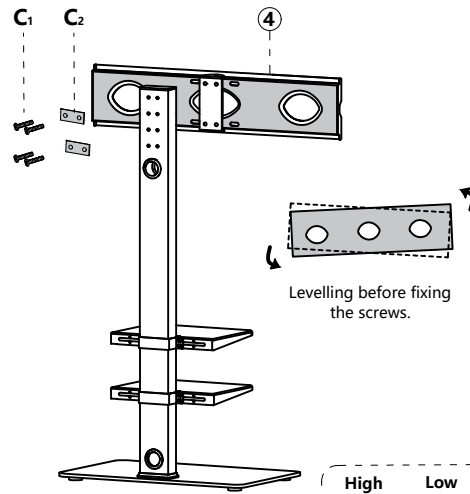
⚠ Please choose correct holes like below picture show and do not fully tighten before screwing into the holes .



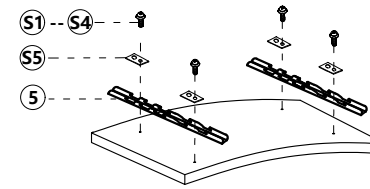
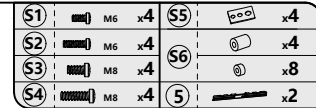
Team Work

**3**

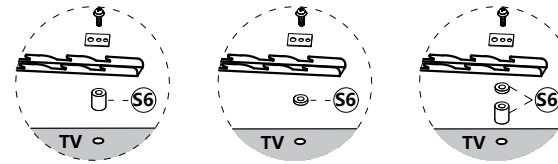
⚠ Please do not fully tighten before screwing into the right holes.

**4**

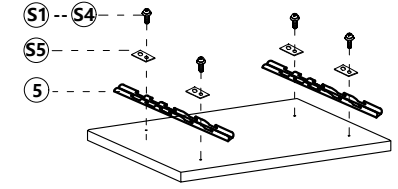
⚠ Variant screws and spacers provided to fit your TV, however not for all brands. Maybe you need to use the original screws comes with your TV or buy the special screws by yourself .



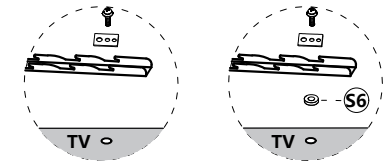
Curved or Recessed TV



1 OR **2** OR **3**



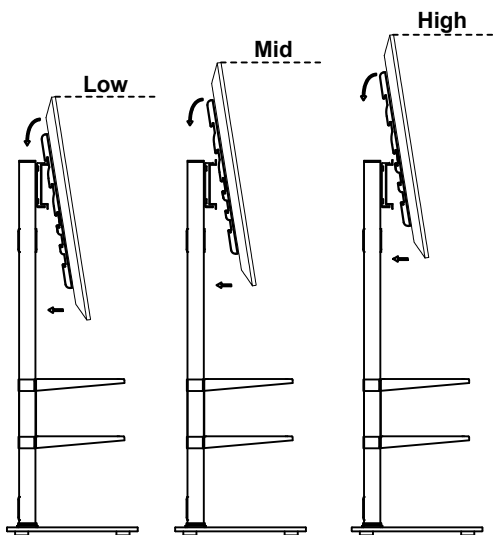
Flat Panel TV



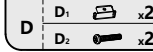
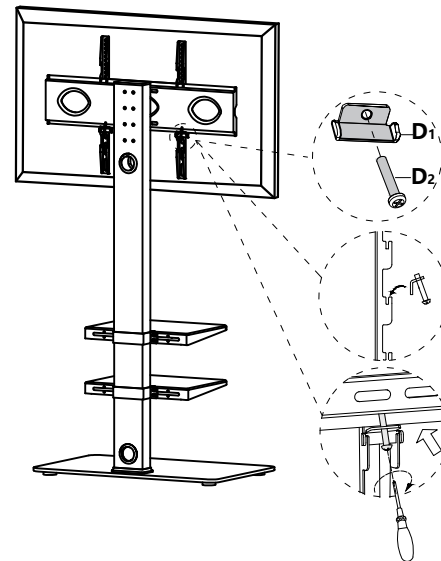
1 OR **2**

5

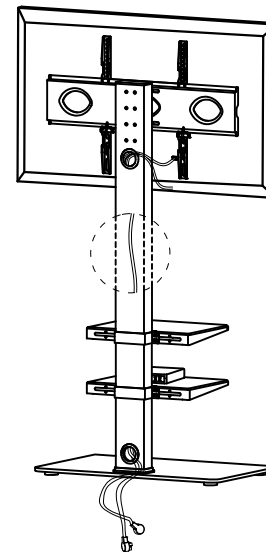
⚠ Attach your TV onto the main pole, select the best height for yourself.

**6**

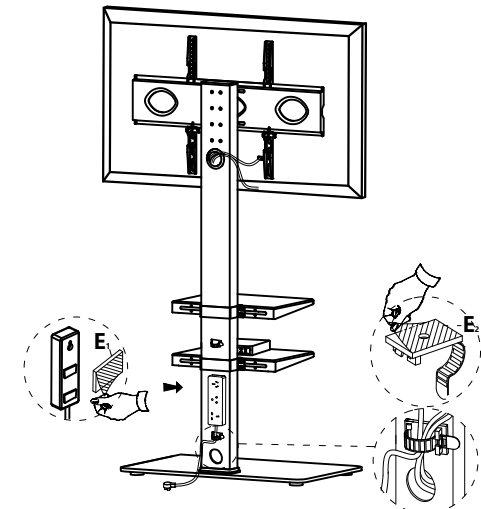
⚠ Important: Lock your TV before using

**7**

⚠ The cables can be threaded into the pole and passed through the lowermost hole. Please note: If the plug diameter more than 50mm, please use E2 to manage cables on the outside pole.

**8**

⚠ Please stick E2 on suitable position to manage cables.



⚠ We offer extra accessories E1 if you need to use a power strip .

