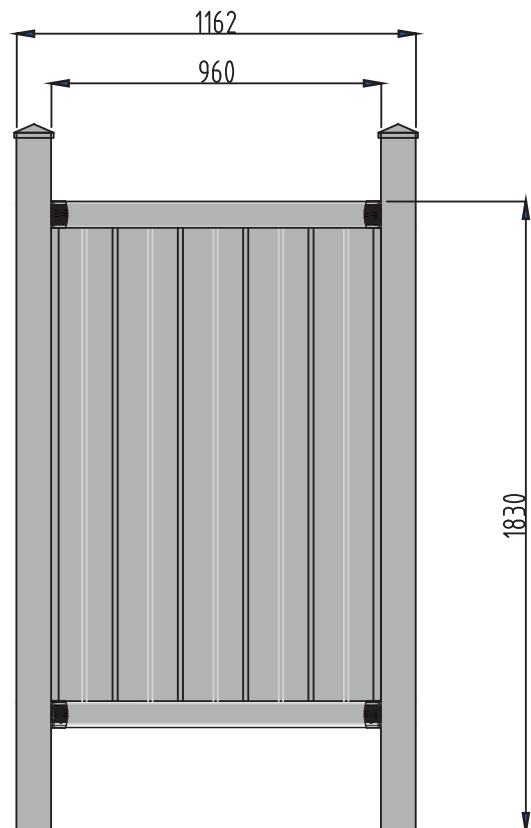
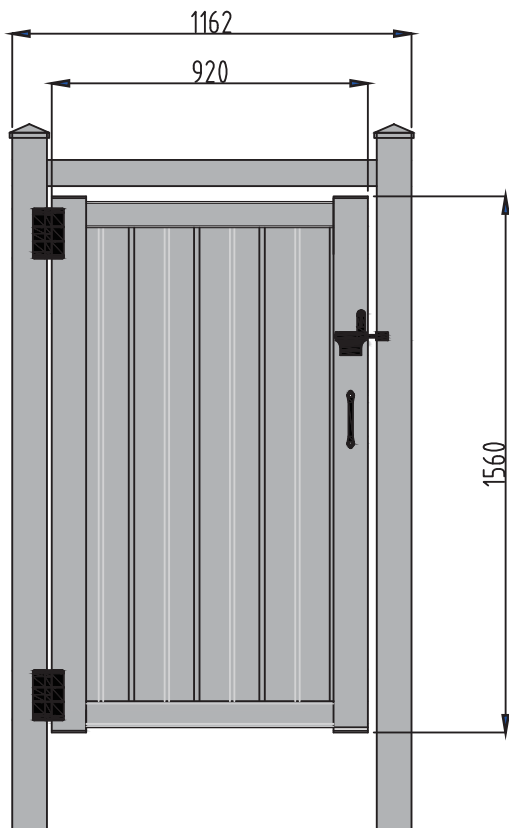
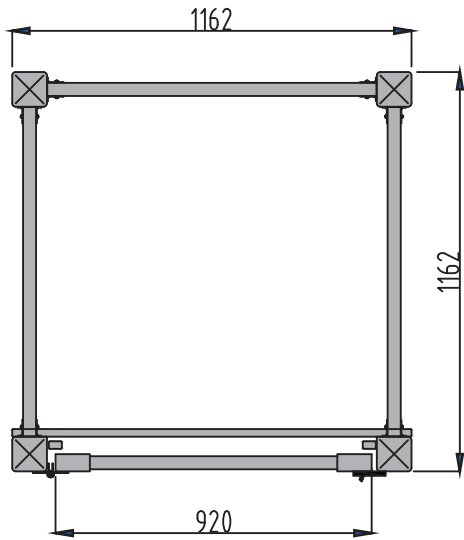



Flat-Panel Outdoor Shower Room - No Roof

PXXZ0T117WH



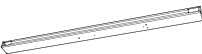


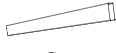
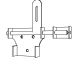
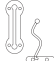








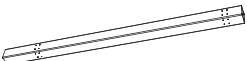

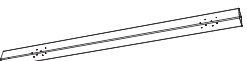

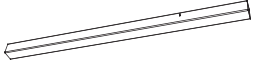

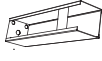




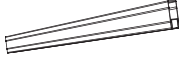

Box A

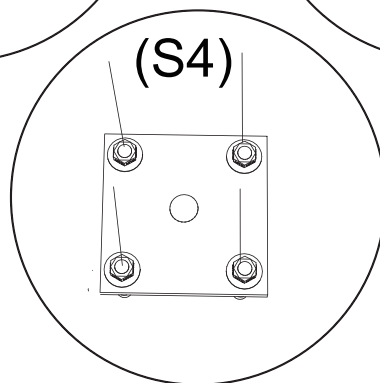
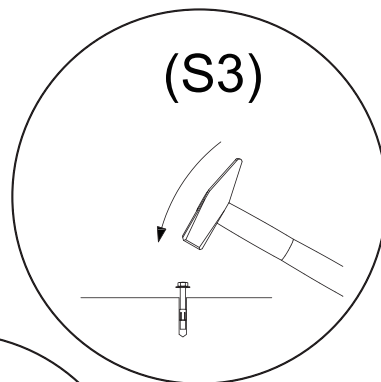
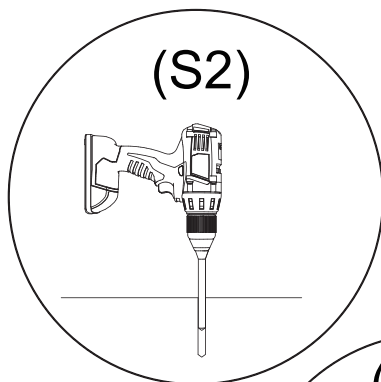
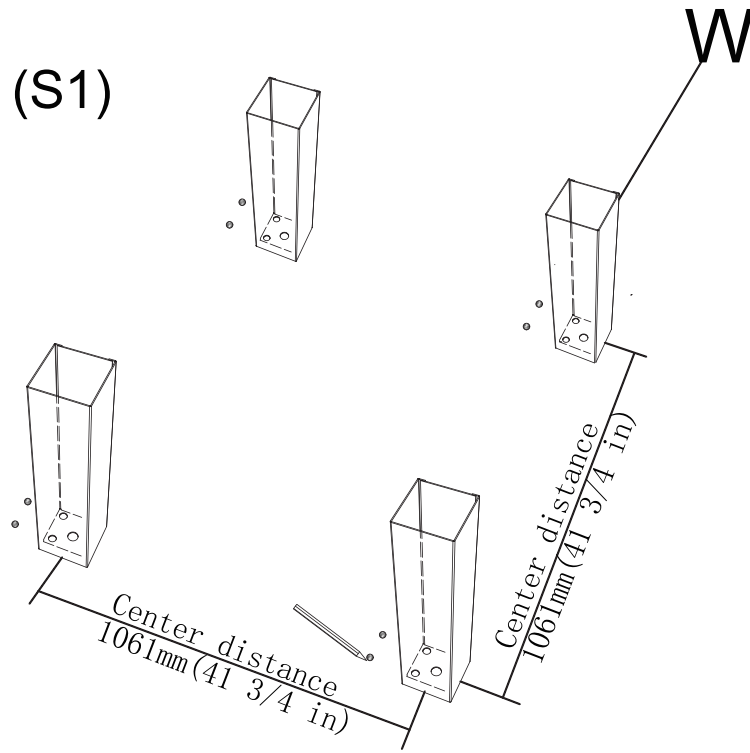
Item no.	Reference Image	Qty.
(P)	 Panel	19x

Box B

Item no.	Reference Image	Qty.	Item no.	Reference Image	Qty.
(C)	 Channel	6x	(Q)	 Door Frame Cover	2x
(F1)	 Right Door Frame	1x	(T)	 Door stopper strip	2x
(F2)	 Left Door Frame	1x	(Y)	 Door Support	1x
(K)	 Door Lock	1x	(N)	 Door Chain	1x

Box B

Item no.	Reference Image	Qty.	Item no.	Reference Image	Qty.
(B)	 Bracket	12x	(U1)	 3/16" x 3/4" Self-Drilling Screws	96x
(Z)	 Post Cap	4x	(U2)	 1/6" x 1" Self-Drilling Screws	34x
(S6)	 Post-A	2x	(U3)	 3/16" x 2 1/2" Self-Drilling Screws	12x
(S7)	 Post-B	1x	(U4)	 3/16" x 1 1/2" Self-Drilling Screws	8x
(S8)	 Post-C	1x	(U5)	 3/16" x 2 1/2" Self-Drilling Screws	8x
(W)	 Iron Post	4x	(L)	 Door Handle	1x
(M)	 Door Frame Corner Brace	4x	(R2)	 Rail-Door	2x
(H)	 Hinge	2x	(R1)	 Rail	6x
(A)	 Aluminum lining	2x			

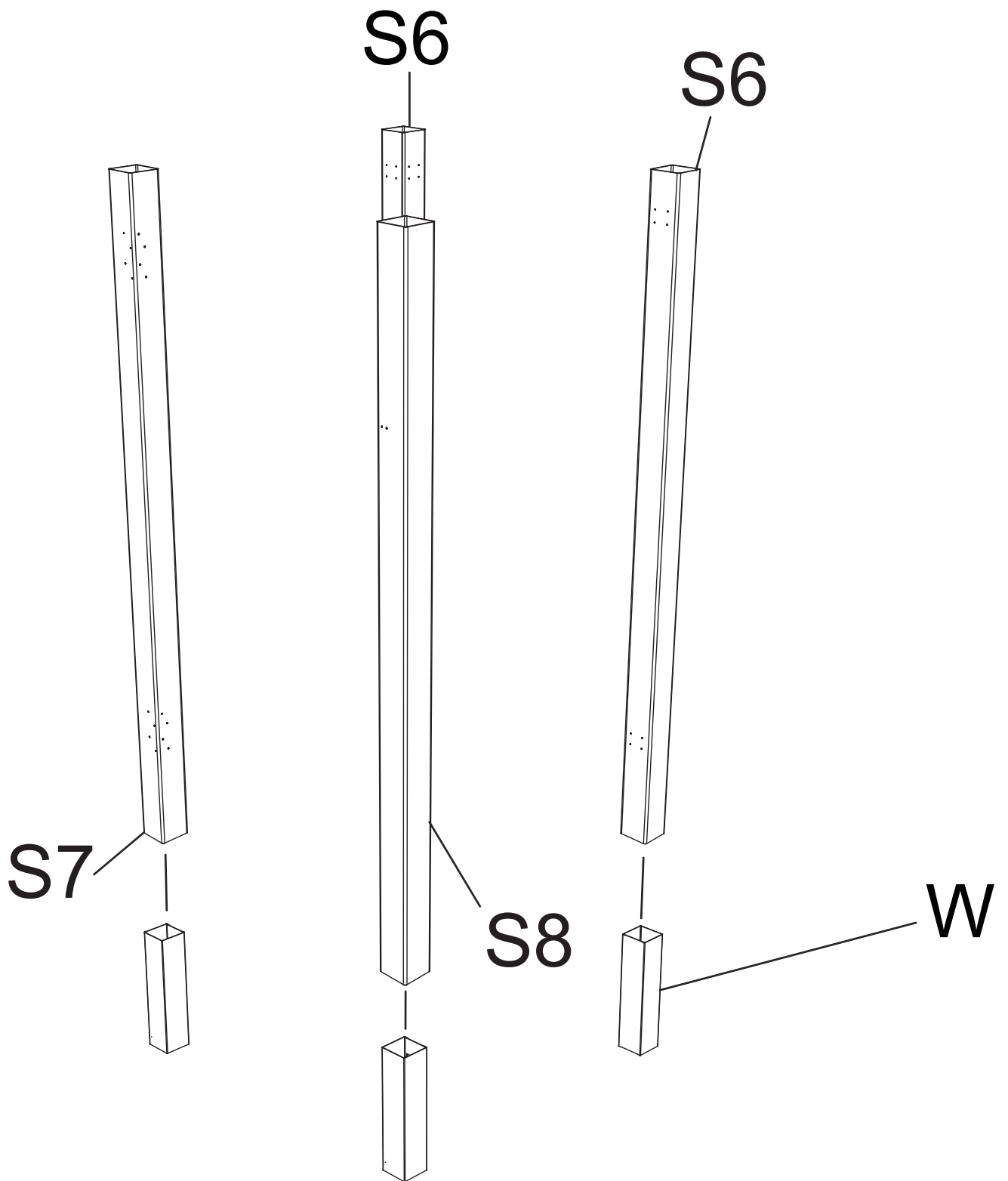


(S1): Place Iron Post (W) in the confirmed position and mark the hole position with a pen, then move Iron Post (W) away.

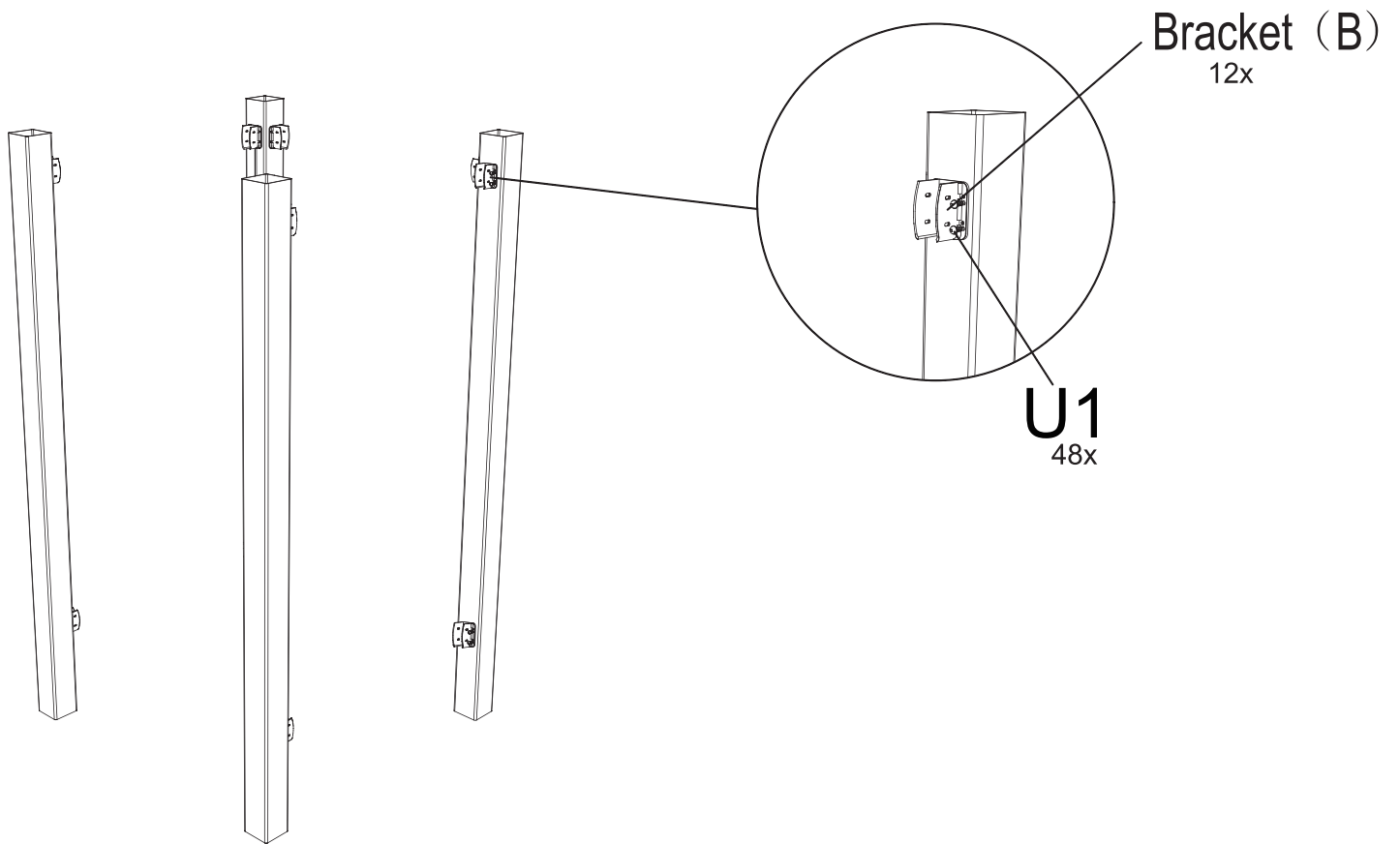
(S2) : Drill a hole at the pen mark.

(S3) : Insert the expansion screws (prepared by the customer themselves).

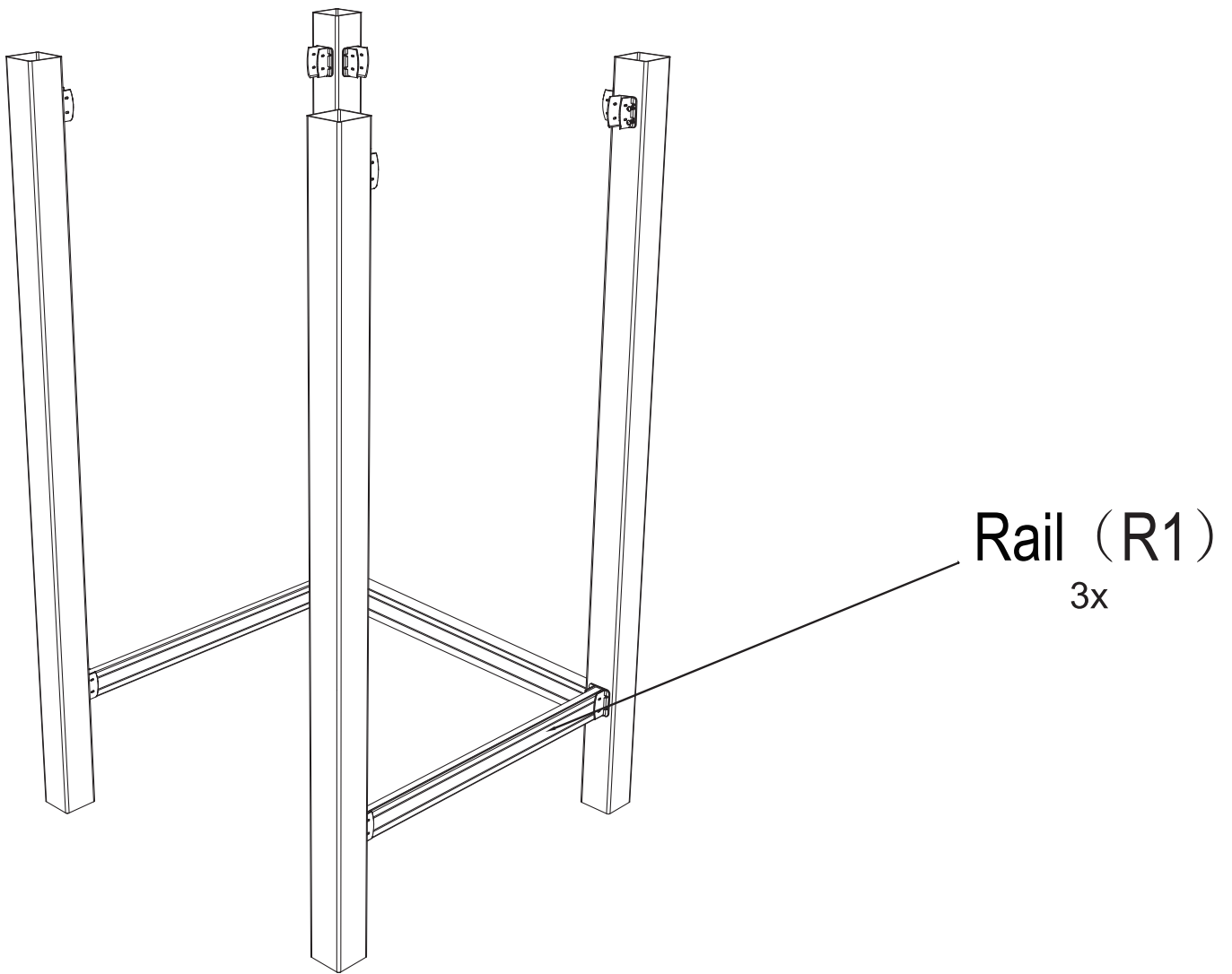
(S4) : Put Iron Post (W) on and fix it with screws.



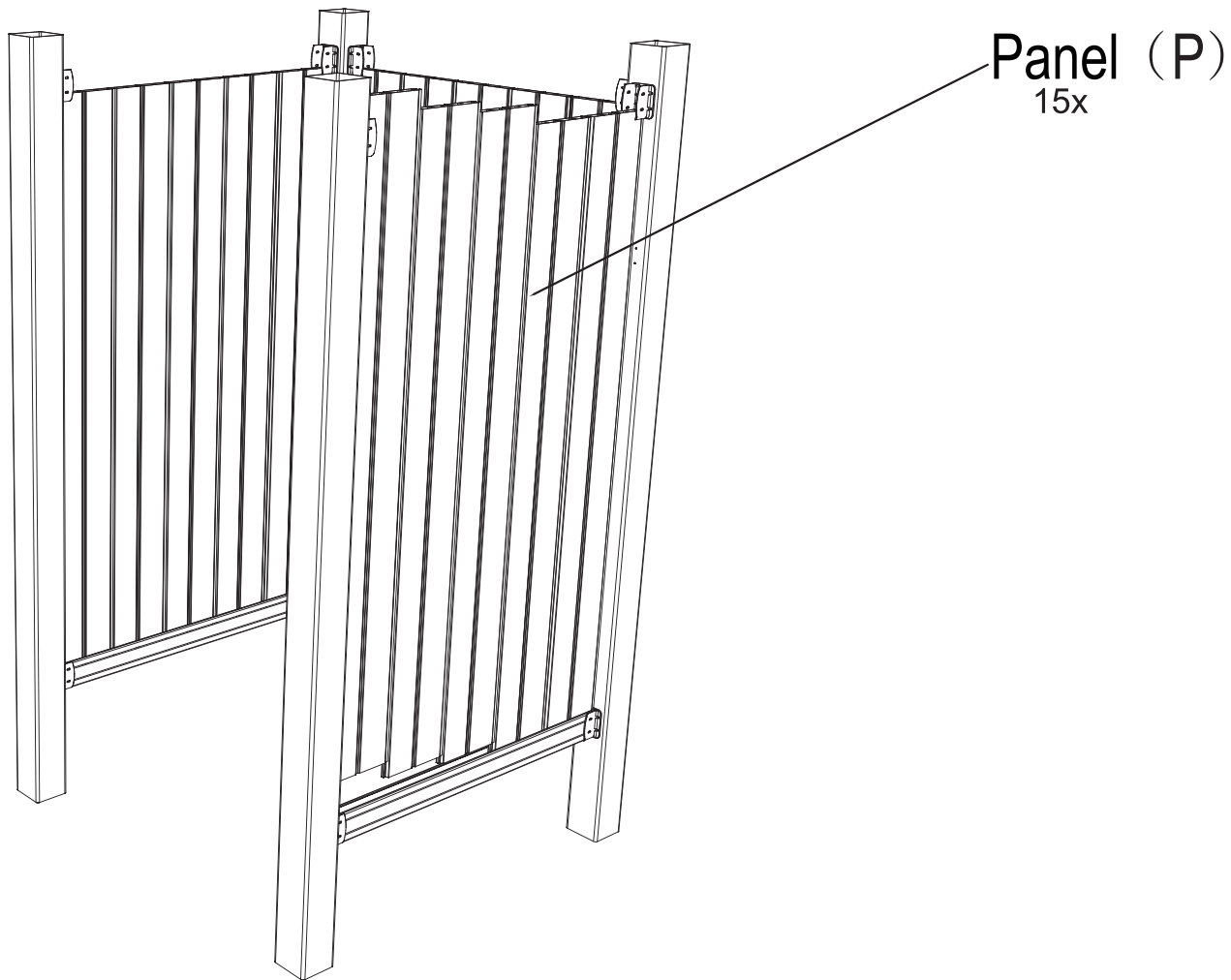
Fix the pvc post on Iron Post(W) according to the diagram, and confirm the direction of the lead hole before installation.



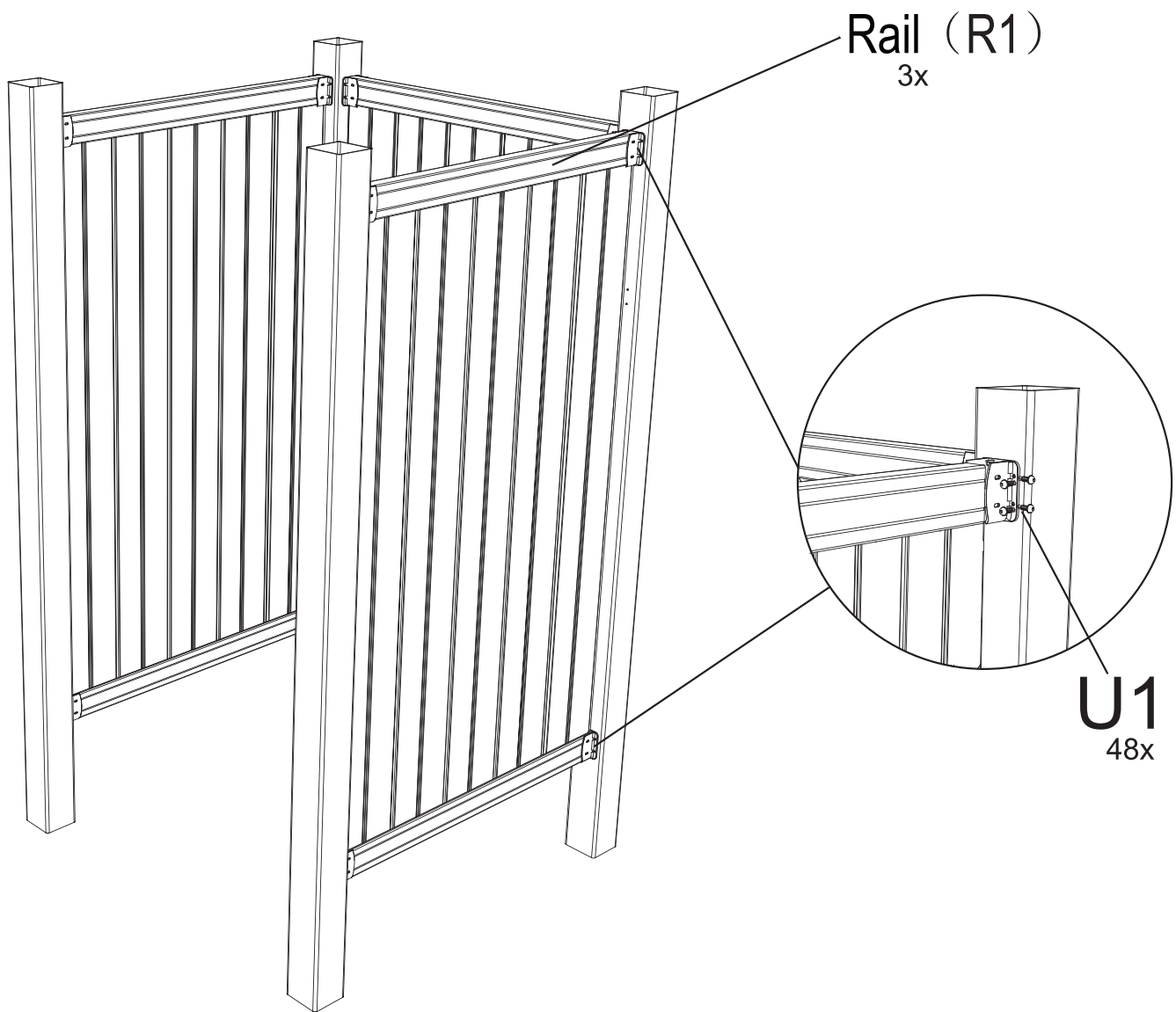
Install the bracket (B) on the 4 pvc post according to the position of the lead hole, paying attention to the vertical direction of the bracket (B). Fix with Screws(U1).



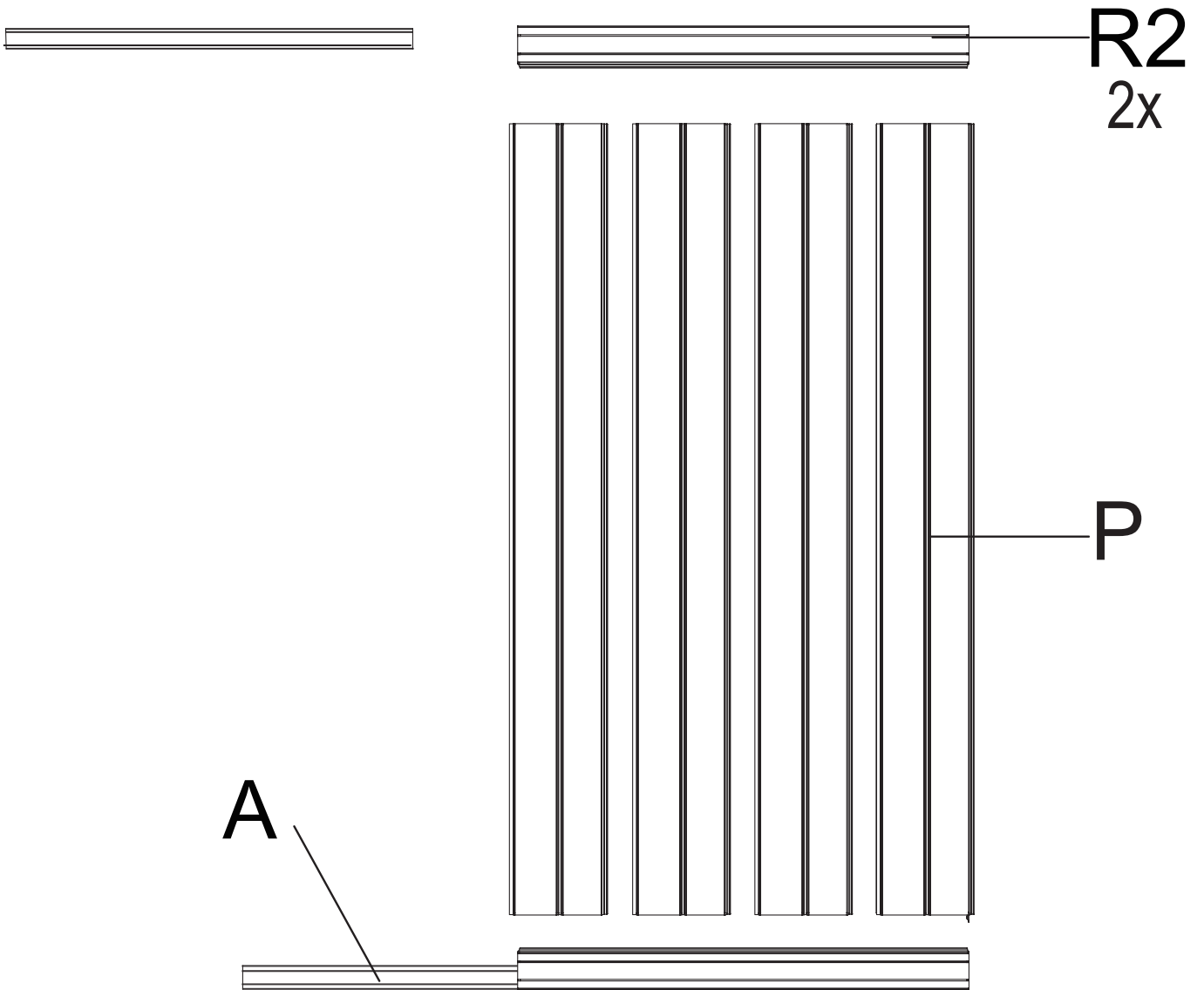
Installing the Bottom Rail (R1) of the three walls, fix it with Screws(U1).



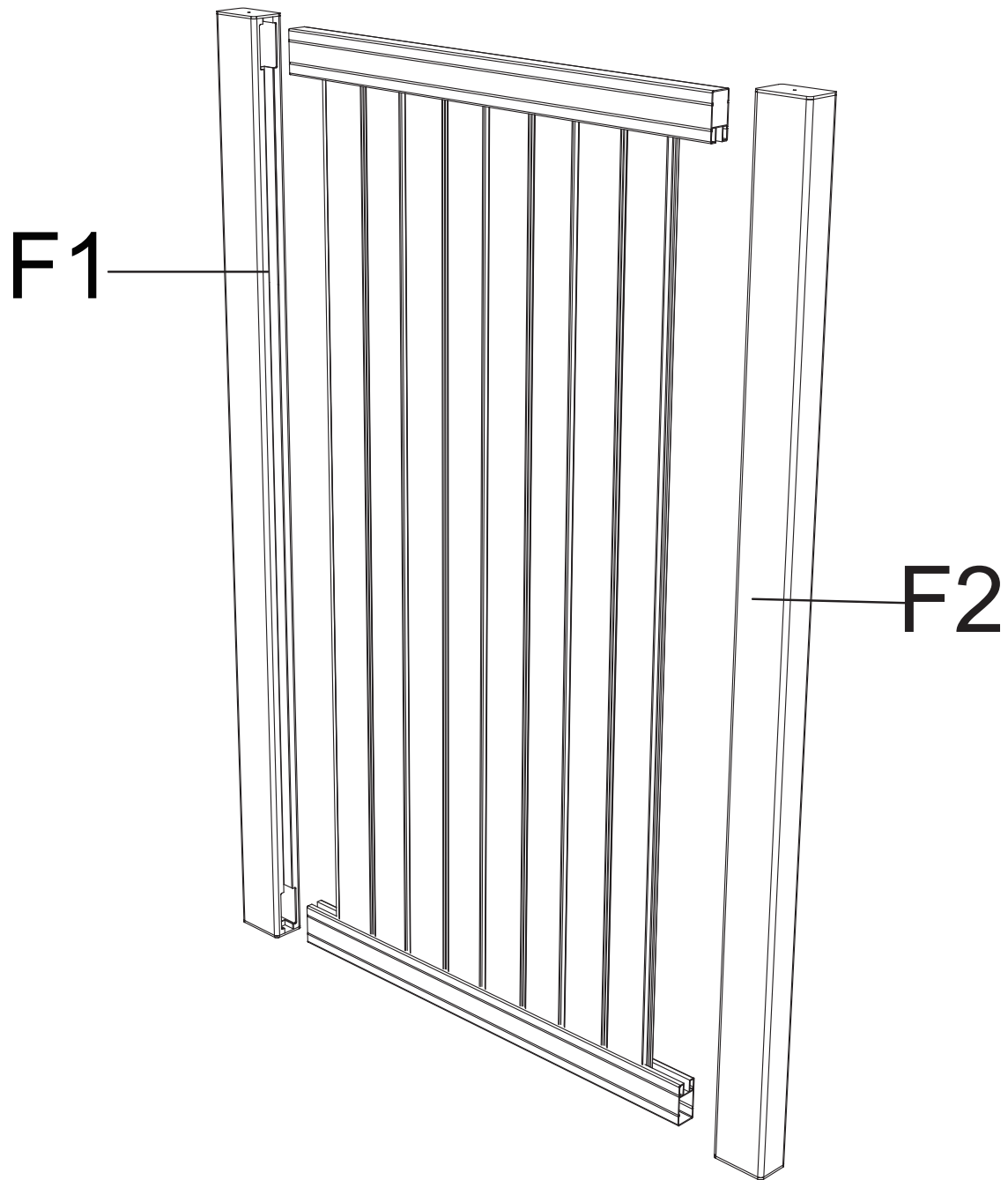
As shown in the figure, install Panels(P) on 3 walls.



After installing the three walls, fix the Rail (R1) with Screws(U1).

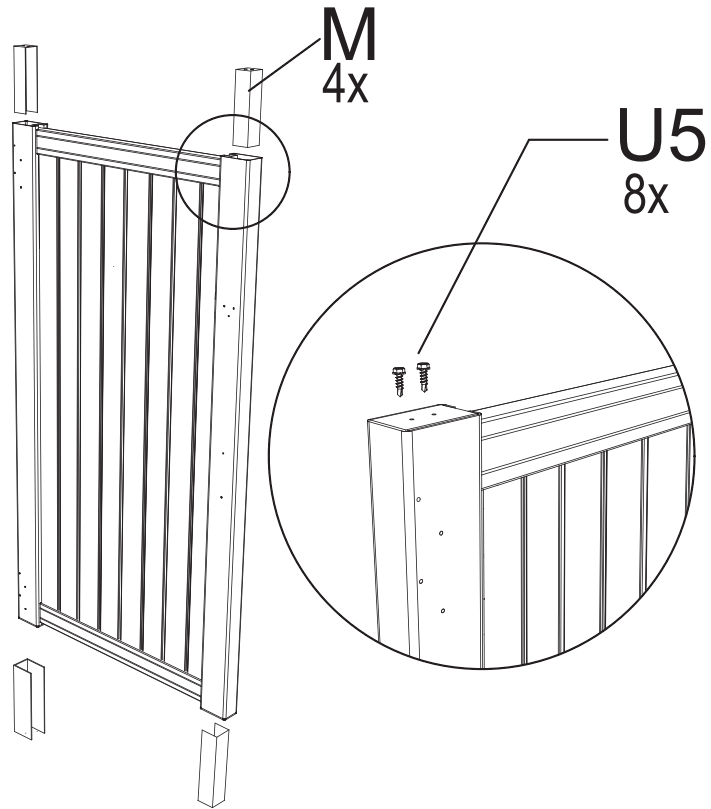


Insert the Aluminum lining(A) into the Rail-Door(R2), and assemble the Rail-Door(R2) and the Panel (P) together.

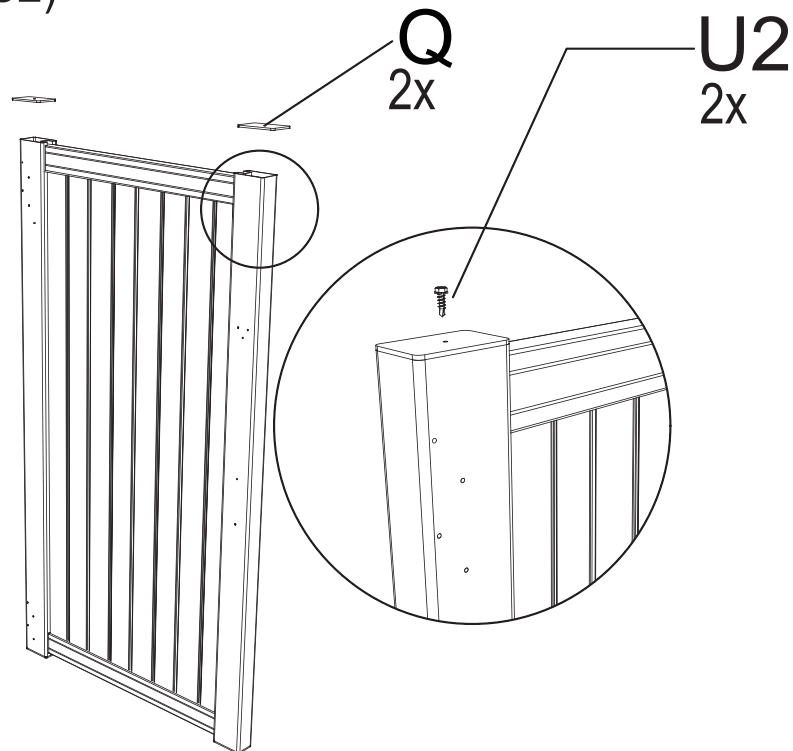


Insert the two ends of the Rail-Door(R2) into the Right Door Frame(F1) and the Left Door Frame(F2) respectively, and assemble it into a door.

(S1)

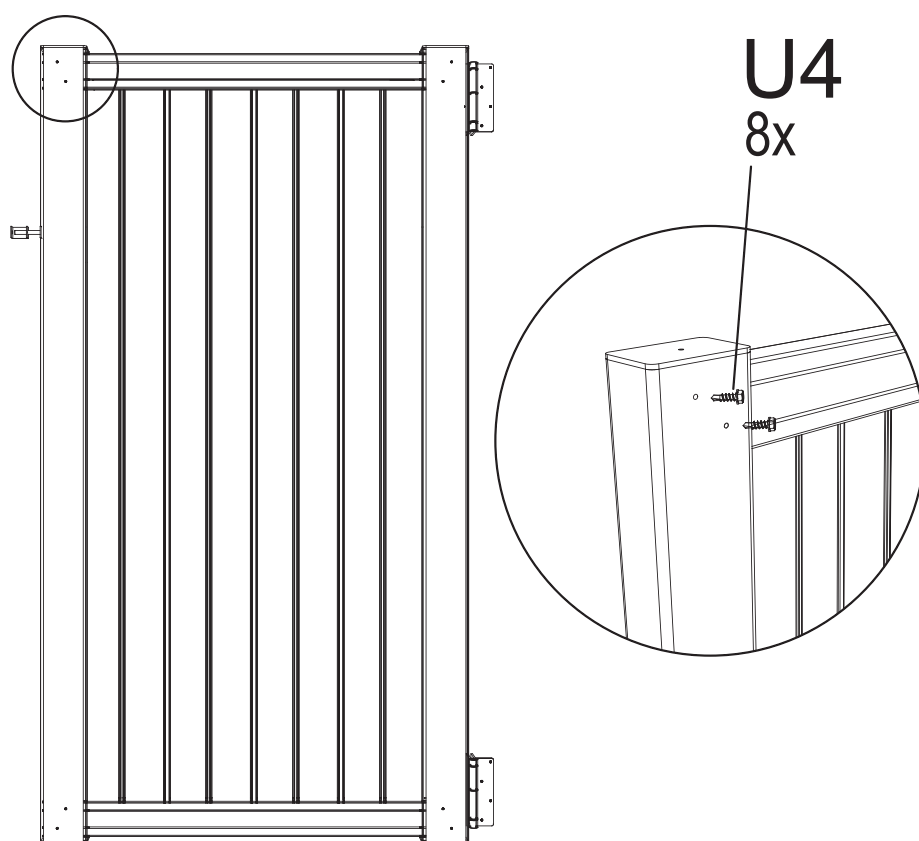
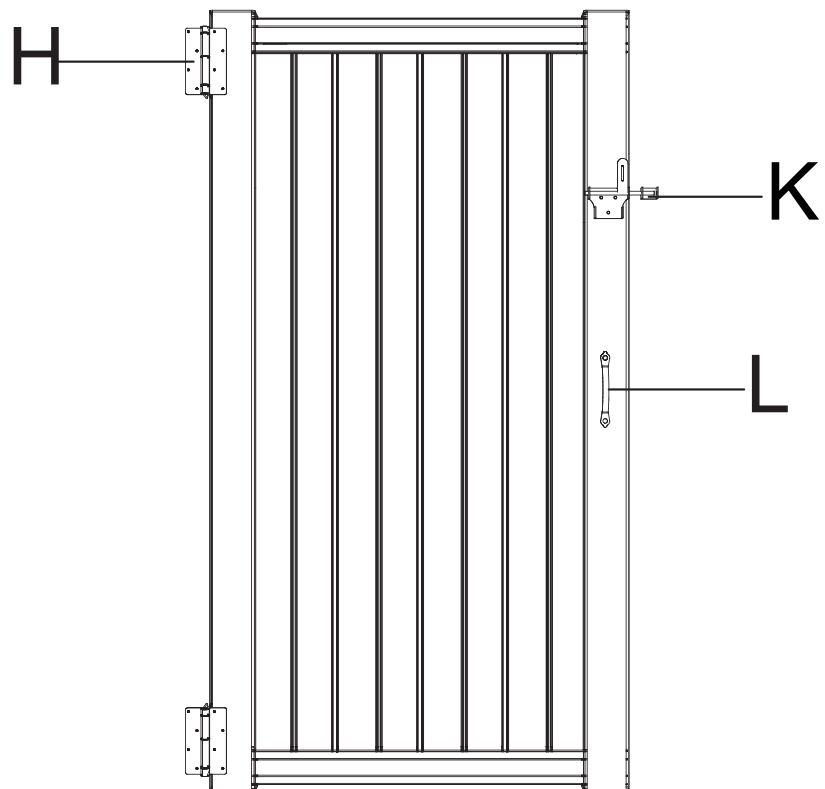


(S2)



(S1): Insert the Door Frame Corner Brace(M) into the Right Door Frame(F1) and Left Door Frame(F2), and fix them with Screws (U5).

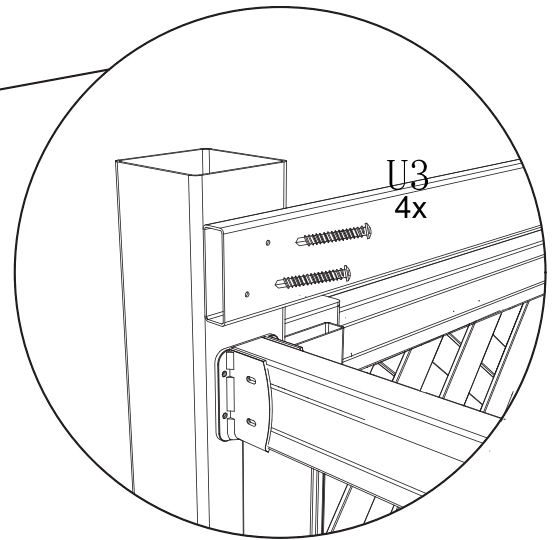
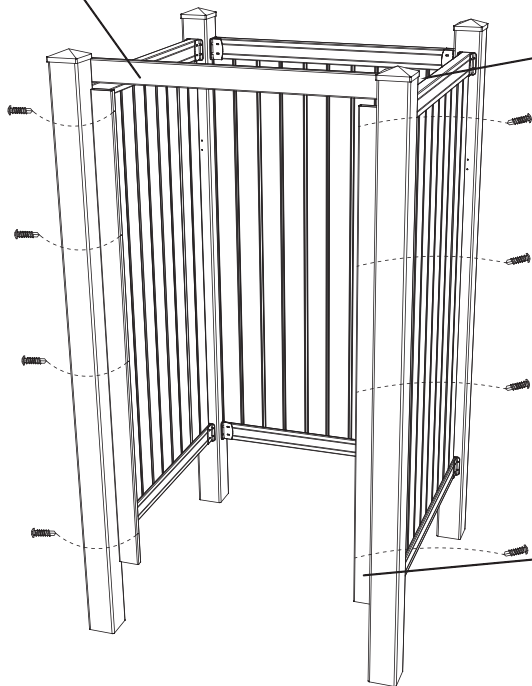
(S2): Cover with Door Frame Cover (Q) and fix with Screws(U2).



Install the Hinge(H), Door Lock(K), Door Handle(L), and fix it with Screws (U2). The back is fixed with Screws(U4).

Door Support (Y)

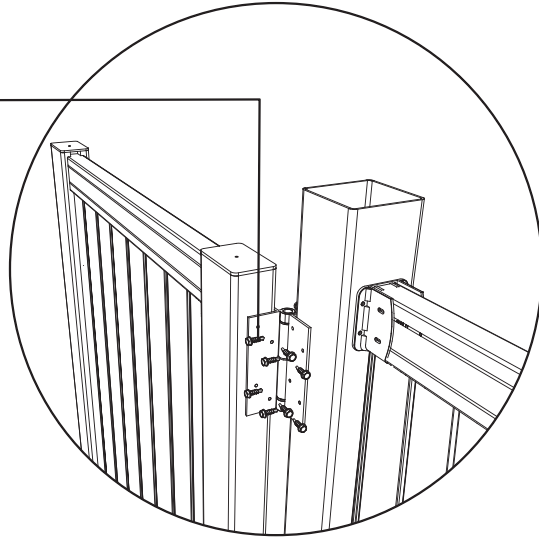
U3
8x



Door stopper strip (T)
2x

Fix the Door stopper strip (T) on Post-B(S7) and Post-C(S8) with Screws (U3), and install the Door Support(Y) on Post-B(S7) and Post-C(S8) with Screws (U3).

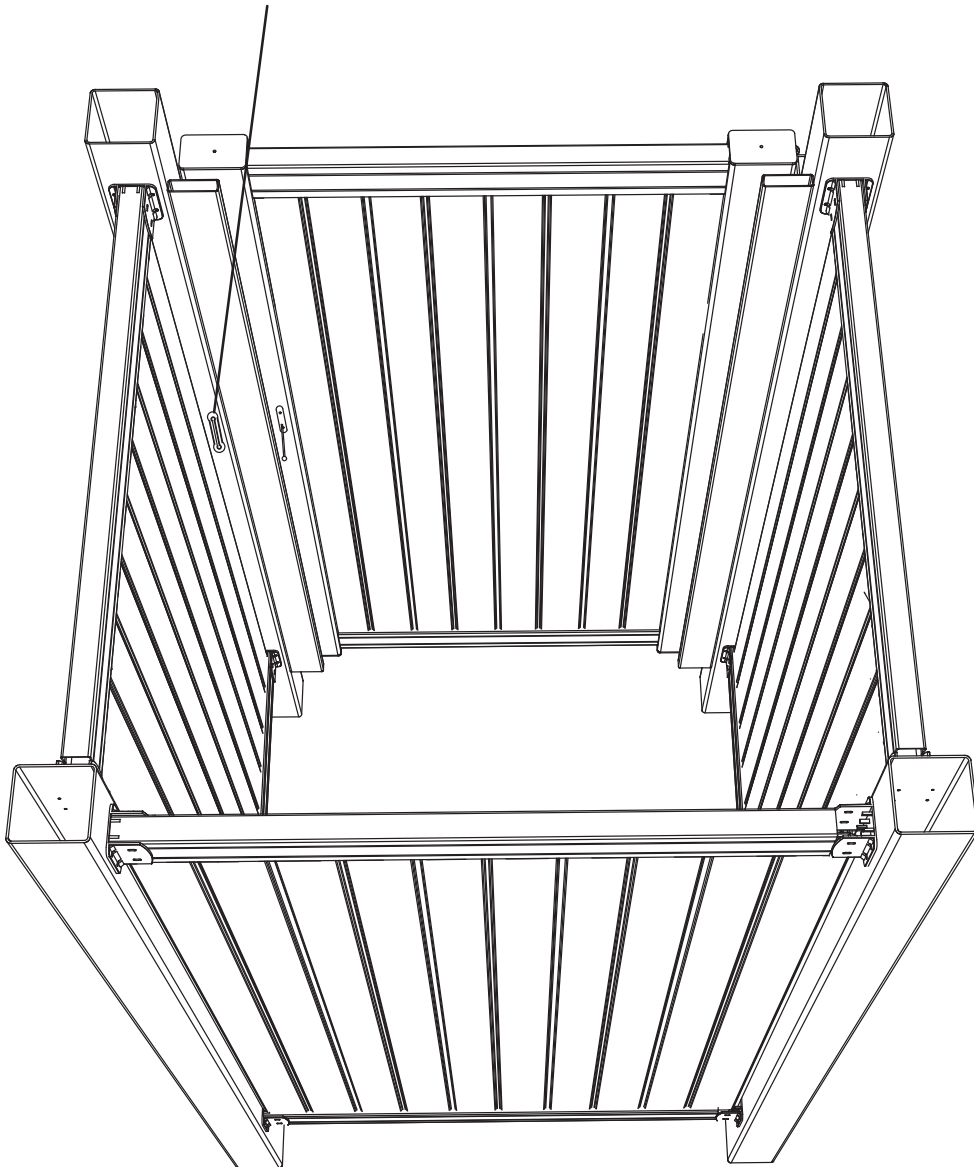
U2
32x



S7

Install the door on Post-B(S7) and secure it with Screws(U2).

Door Chain(N)



Then fix the Door Chain(N) on Post-C(S8).

Post Cap (Z)
4x



Install the Post Cap (Z) on the PVC Post.

