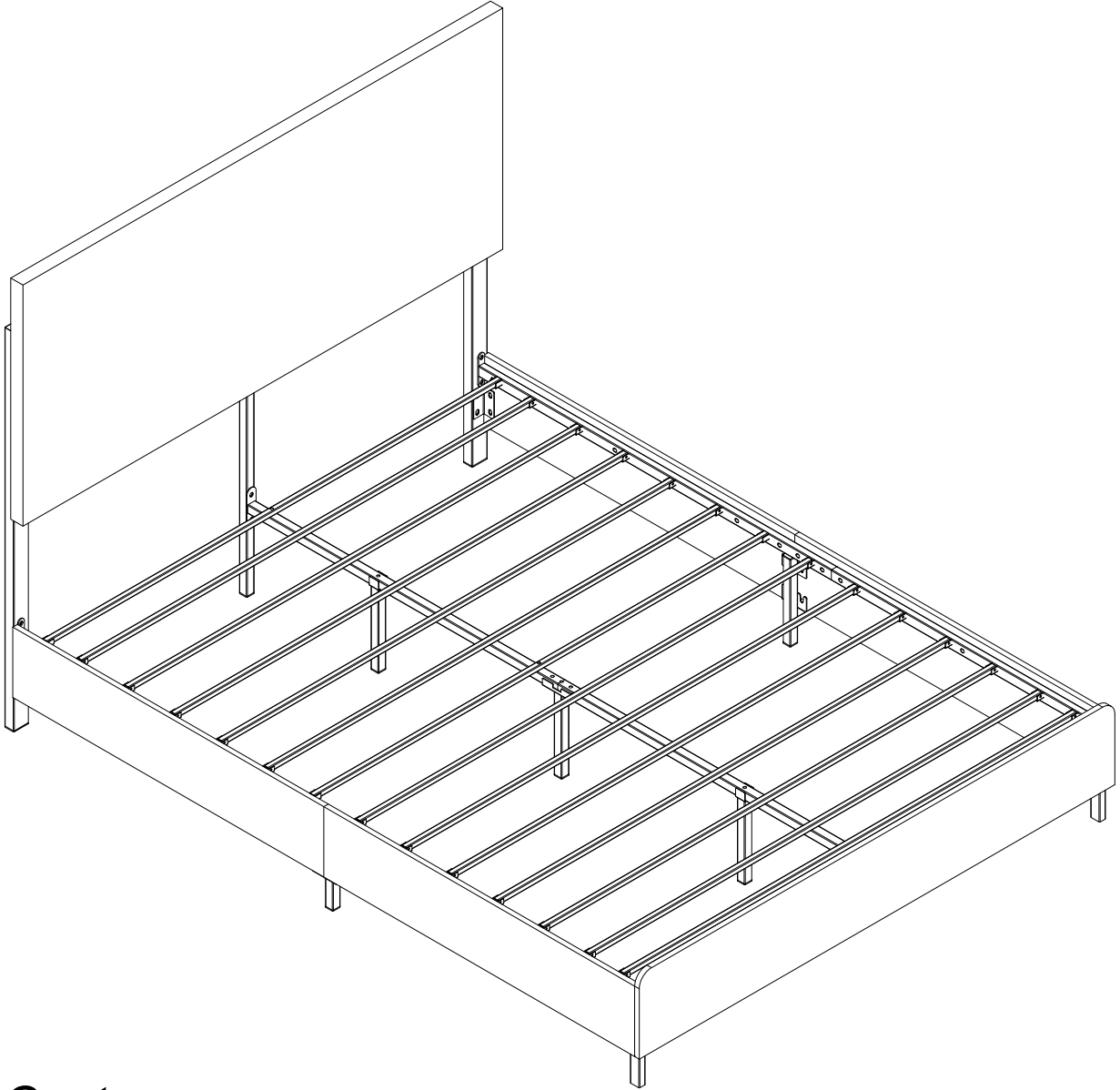

Bed Frame



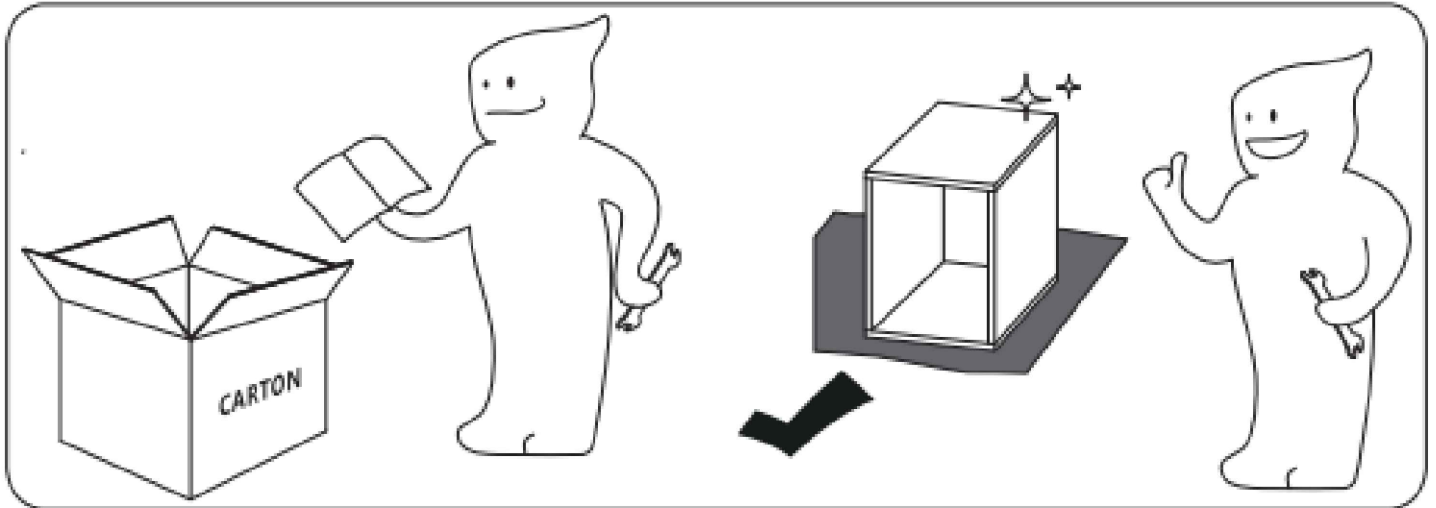
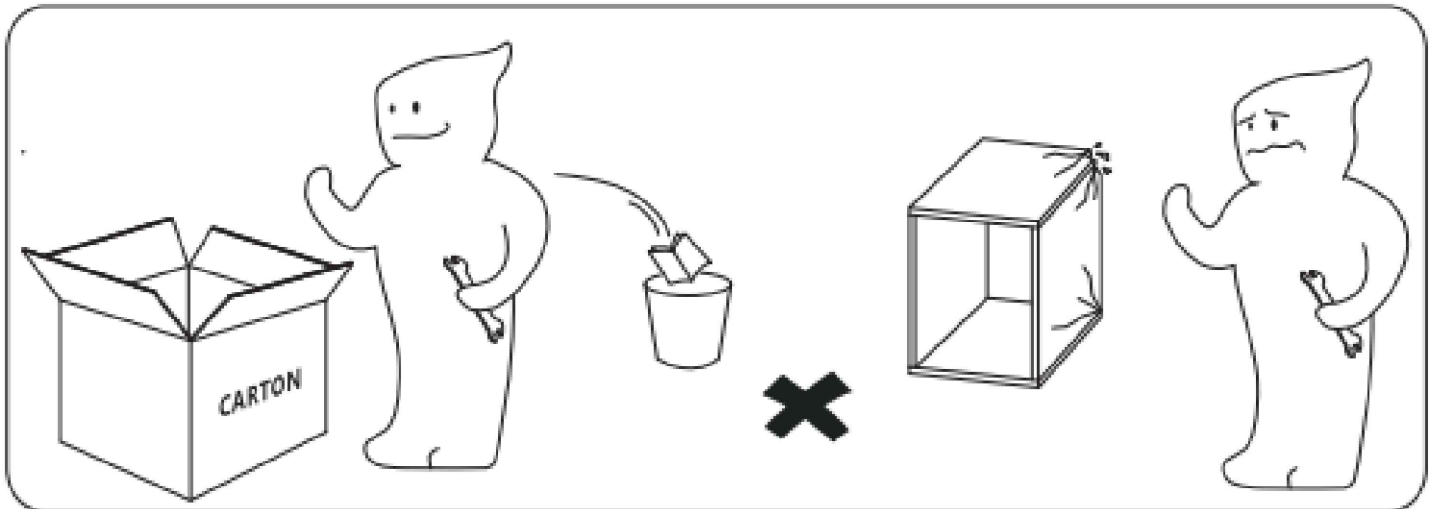
Dear Customers:

Thank you for purchasing our product. Please read this instruction manual carefully after receiving this product. It will help you assemble this product quickly, safely and correctly. You can keep this manual for future reference.



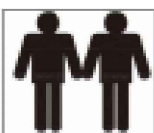
! IMPORTANT

Please follow the instruction manuals and use a pad to protect the product during your assembly.



Note:

1. Should be assembled on flat ground to keep balance.
2. Before completing the installation, do not tighten the screws.



For easier and better assembly, 2 or more adults are required.

NOTICE:

- Please retain these instructions for future reference.
- Please read the instruction sheets completely before assembly.
- Remove all parts from the carton and ensure all components are included before assembly.
- Assemble the bed on a protected surface to avoid scratching the components of the bed.
- Be careful not to cross-thread screws.
- Please use a piece of the cardboard packaging to protect your floor and product.
- Don't tighten all screws before you have installed all the parts of the bed.
- When you assemble your bed, if you smell a weird smell of the material, please don't worry it's very Normal.
- What you should do is to air it for 1- 2 days on your balcony, patio, or near your window.
- Our bed has been certified by the environment authority.
So please don't worry it won't hurt your health, it's completely safe.

RETURN/DAMAGE CLAIM INSTRUCTIONS:

- If the package is damaged, please contact us as soon as possible and attach the damaged photo.

Return Policy:

- This item can be returned within 30 days without any major reason.
- If you return this item for personal reasons, you need to bear the freight of returns and order processing fee (0-50% restocking fee based on the invoice price).
- If the product has quality issues (not caused by humans), we will bear the shipping fees.

- If you need to return the goods, please keep the original box. Please make sure to use the return label provided by us and do not return it without permission.
 - Please do not share a label with multiple boxes.
 - If you return the product after 30 days from receiving it, we are afraid that your return application won't be accepted. We appreciate your understanding.
 - The warranty product is one year from the date of your purchase. If this item is damaged within the warranty period, we will provide replacement parts free of charge.
- If the item is damaged for some personal reasons, we could also replace it for you, however, you need to bear the cost of the replacement parts and shipping fees.

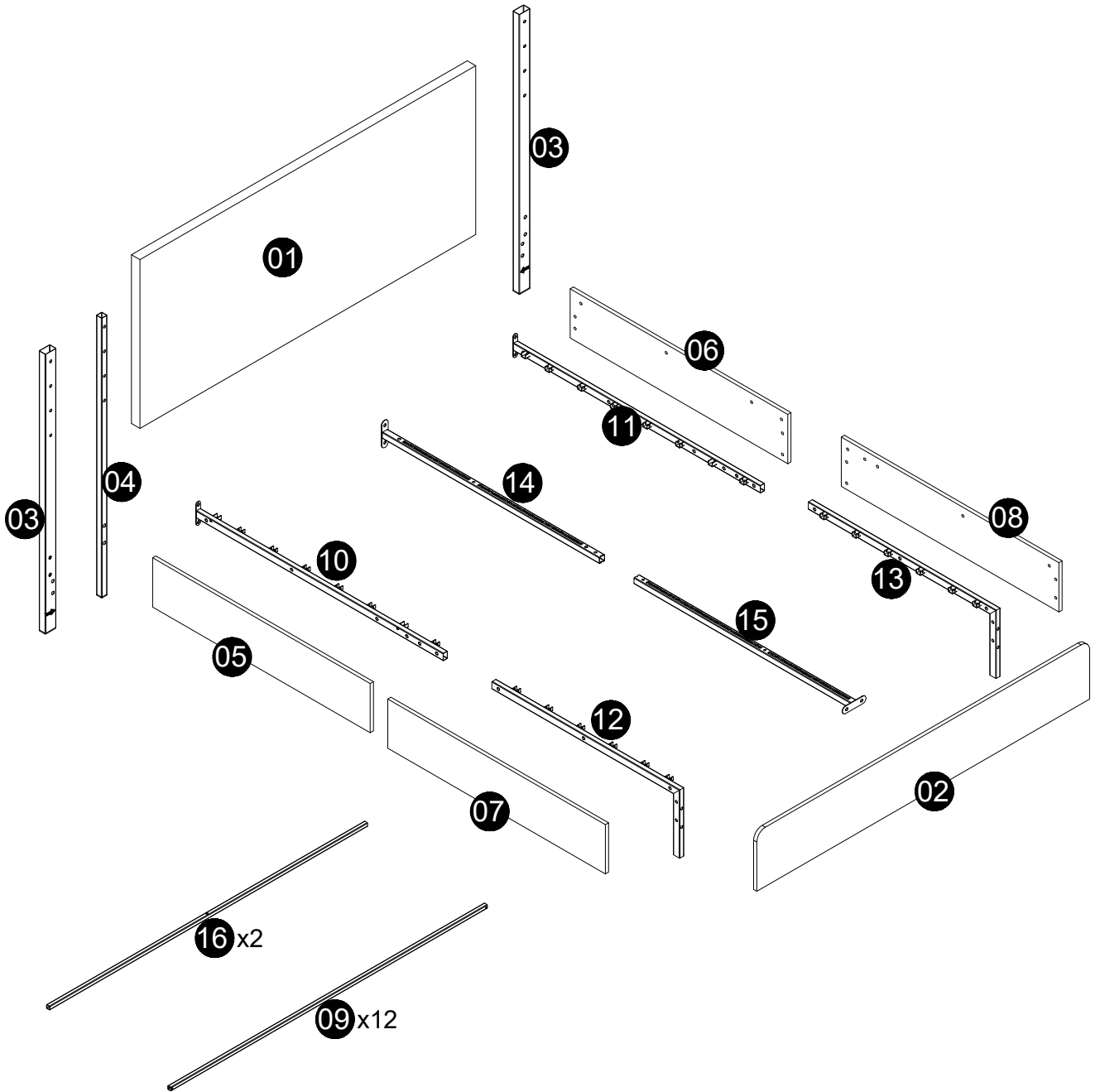
LIMITED WARRANTY

- Our team would like to improve the quality of the customer service and make your experience as easy and smooth as possible.
- After we receive the returned item, we would check it and make sure that is not damaged then we will process the refund.
- For more details, please remember to check the above terms of RETURN/DAMAGE CLAIM INSTRUCTIONS.

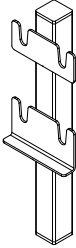
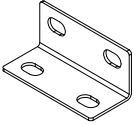
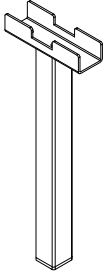
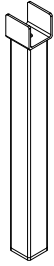
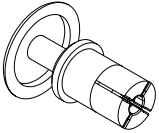
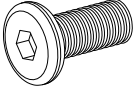
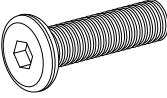
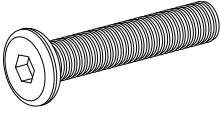
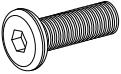
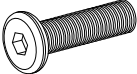
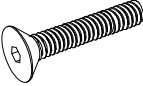
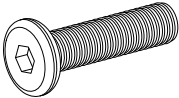
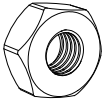
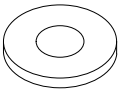
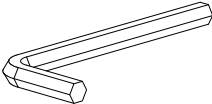
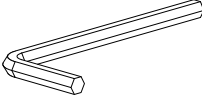

The exceptions or exclusions to this warranty are as follows:

1. Any warranty claim that is submitted after the limited warranty period won't be taken into consideration. We wouldn't be able to replace the item for you even at your cost.
2. This warranty does not the products which have been purchased by mistake.

ASSEMBLY INSTRUCTIONS






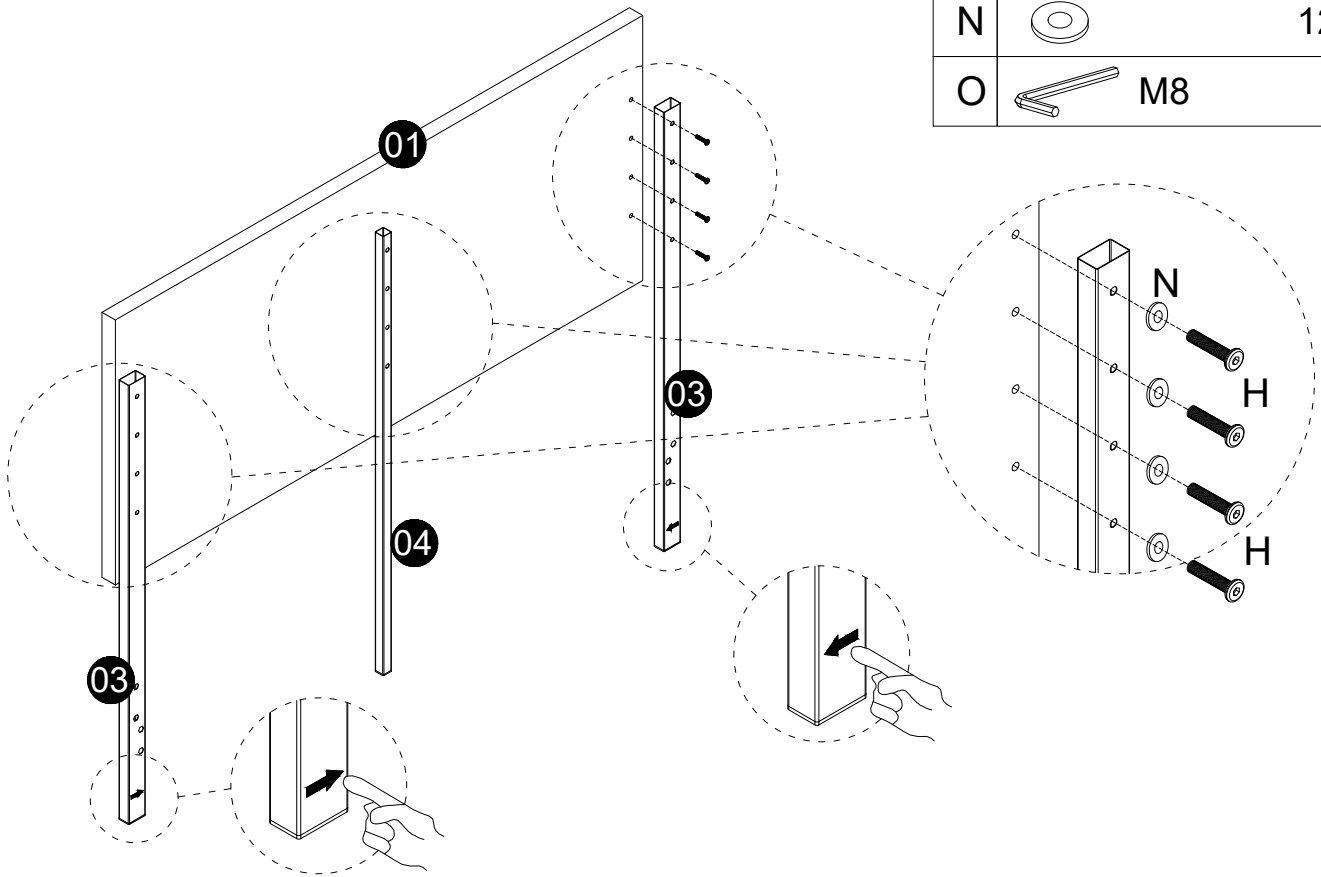
HARDWARE LIST

<p>A</p>  <p>25cm 2PCS</p>	<p>B</p>  <p>2PCS</p>	<p>C</p>  <p>24cm 1PC</p>	<p>D</p>  <p>24cm 2PCS</p>
<p>E</p>  <p>24PCS</p>	<p>F</p>  <p>8*15mm 16PCS</p>	<p>G</p>  <p>8*35mm 22PCS</p>	<p>H</p>  <p>8*45mm 16PCS</p>
<p>I</p>  <p>6*25mm 2PCS</p>	<p>J</p>  <p>6*35mm 5PCS</p>	<p>K</p>  <p>6*40mm 4PCS</p>	<p>L</p>  <p>8*40mm 8PCS</p>
<p>M</p>  <p>8PCS</p>	<p>N</p>  <p>20PCS</p>	<p>O</p>  <p>M8 1PC</p>	<p>P</p>  <p>M6 1PC</p>
<p>Q</p>  <p>1PC</p>			



ASSEMBLY INSTRUCTIONS

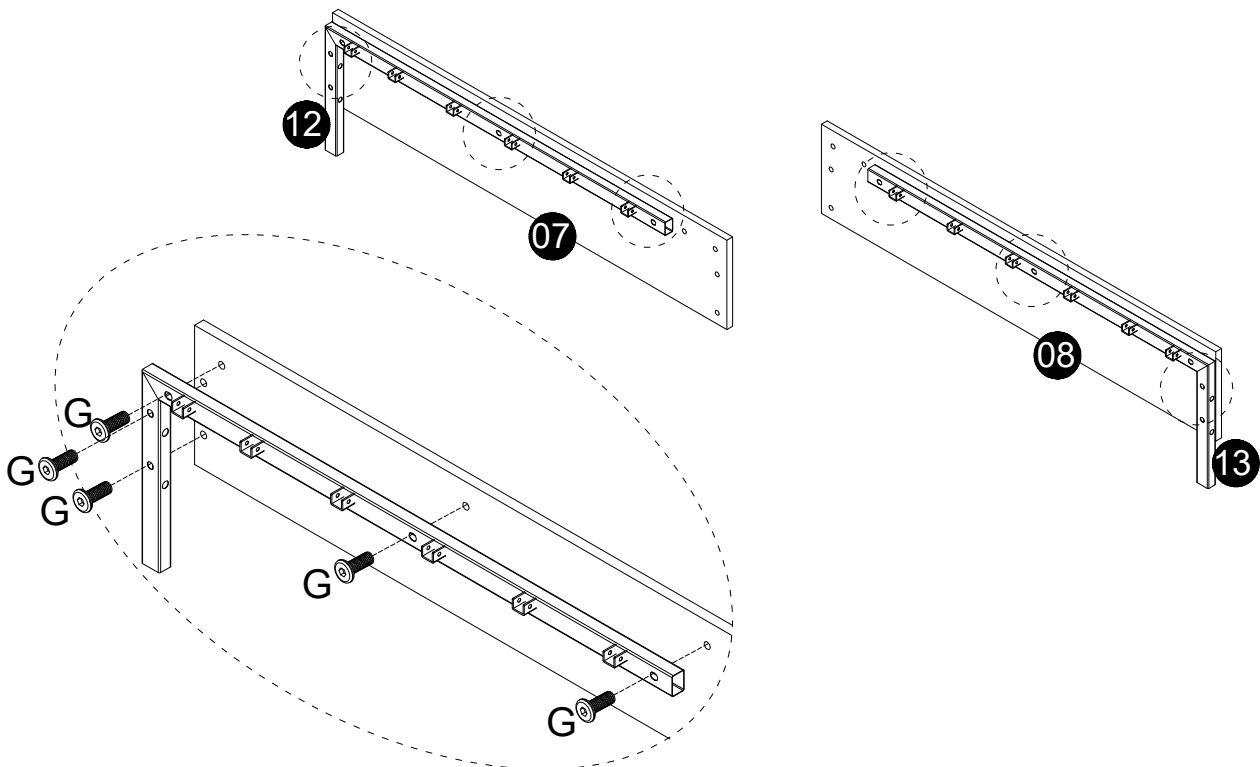
1

H		8*45mm	12pcs
N			12pcs
O		M8	1pc




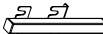
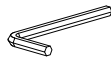
2

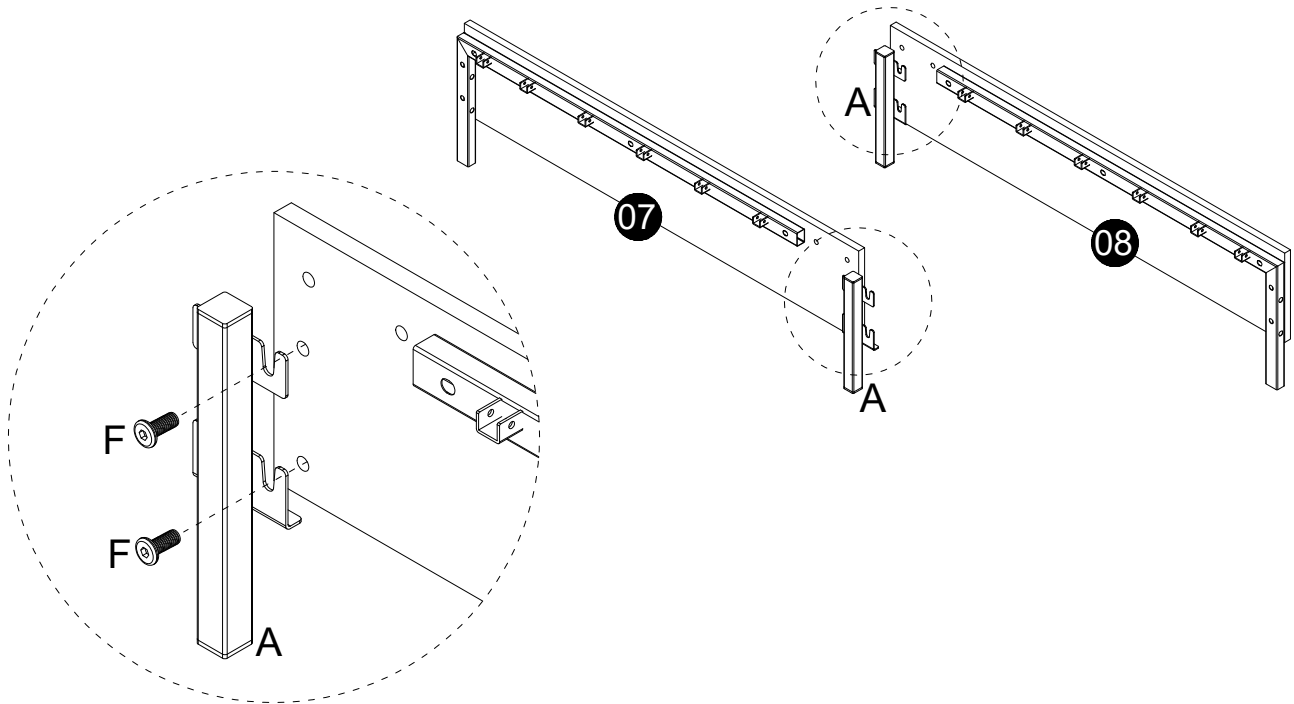
G		8*35mm	10pcs
O		M8	1pc




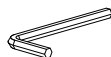
ASSEMBLY INSTRUCTIONS

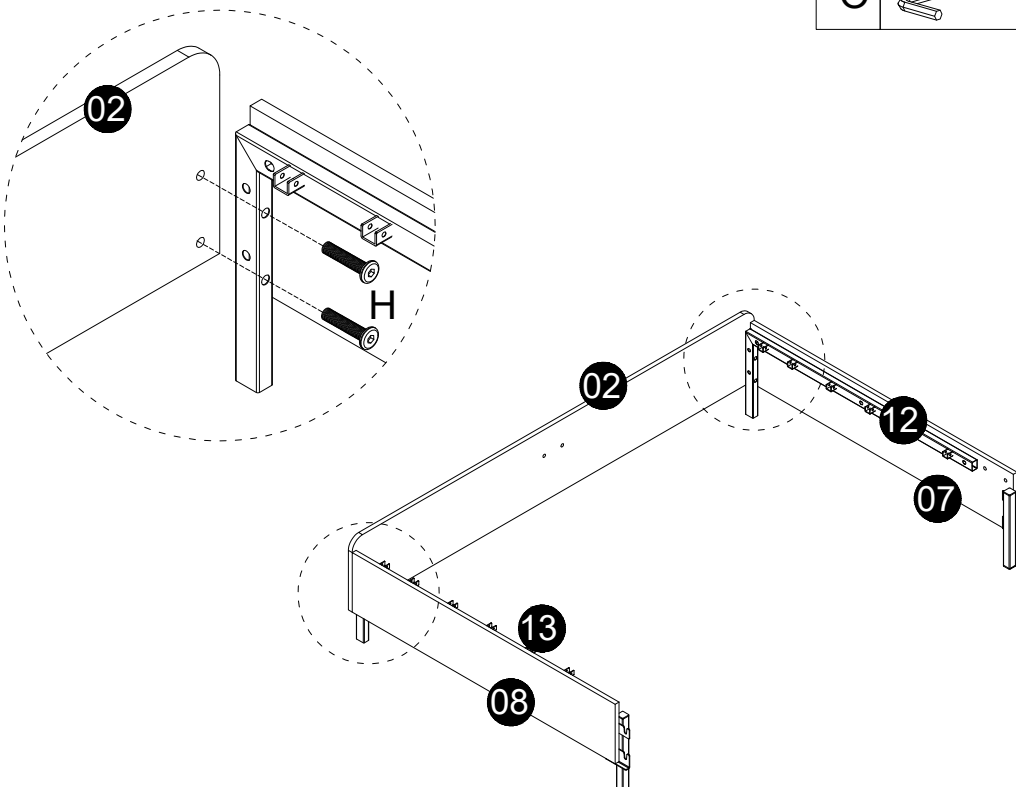
3

F		8*15mm	4pcs
A		25cm	2pcs
O		M8	1pc



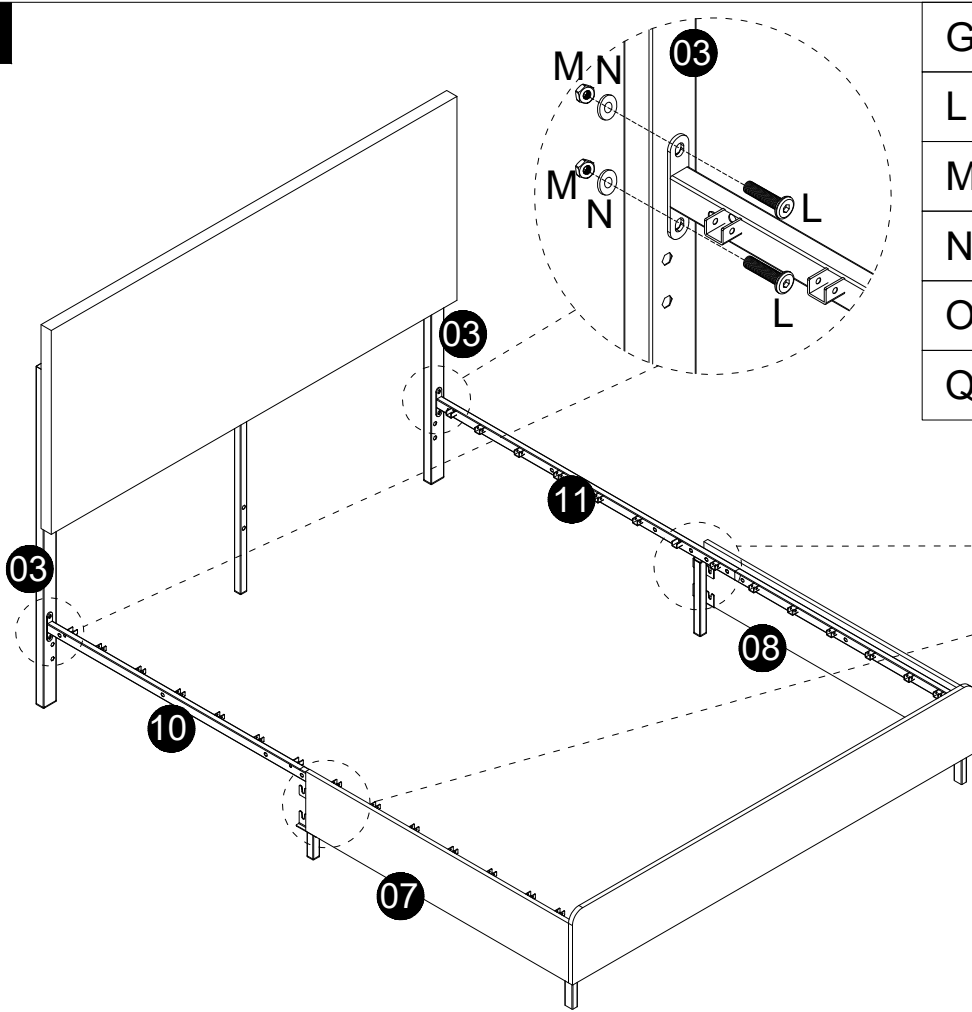
4

H		8*45mm	4pcs
O		M8	1pc

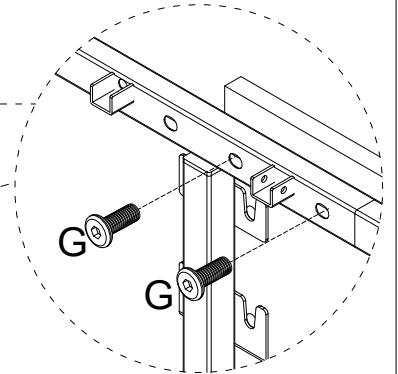


ASSEMBLY INSTRUCTIONS

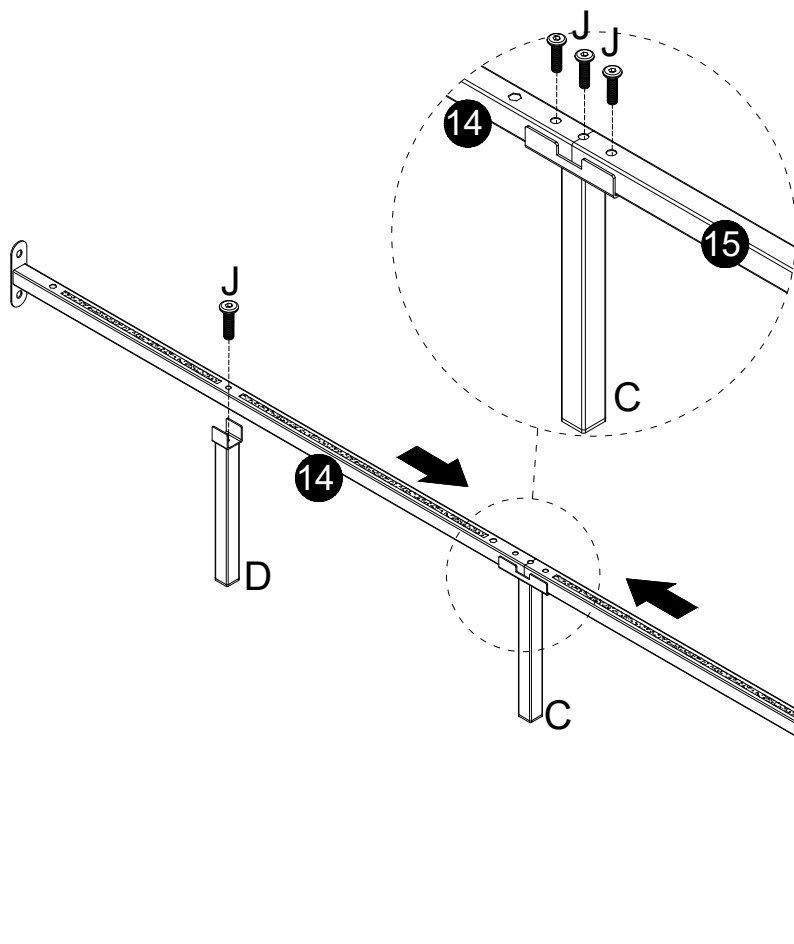
5



G		8*35mm	4pcs
L		8*40mm	4pcs
M			4pcs
N			4pcs
O		M8	1pc
Q			1pc




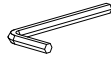
6

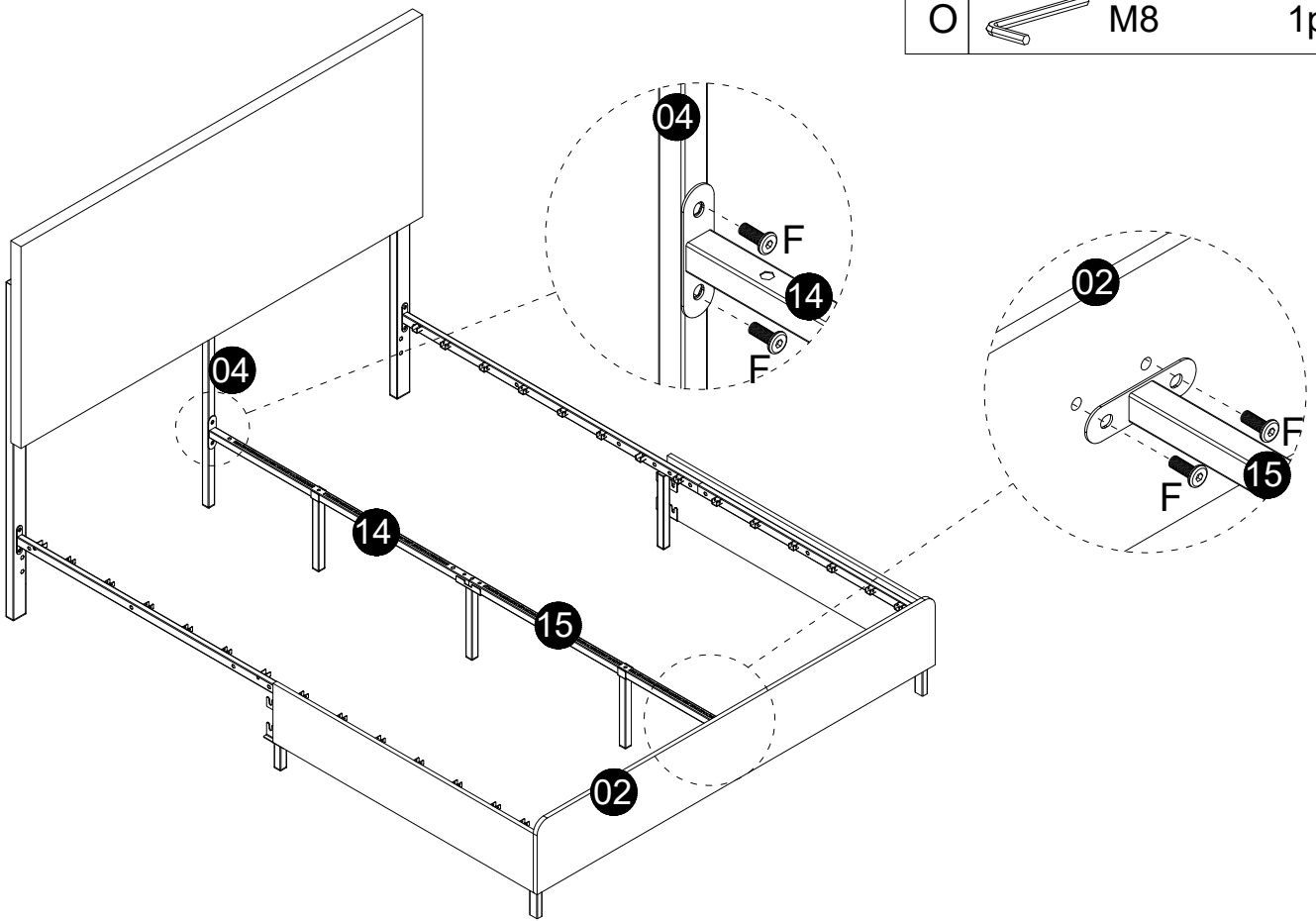


J		6*35mm	5pcs
C		24cm	1pc
D		24cm	2pcs
P		M6	1pc


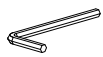
ASSEMBLY INSTRUCTIONS

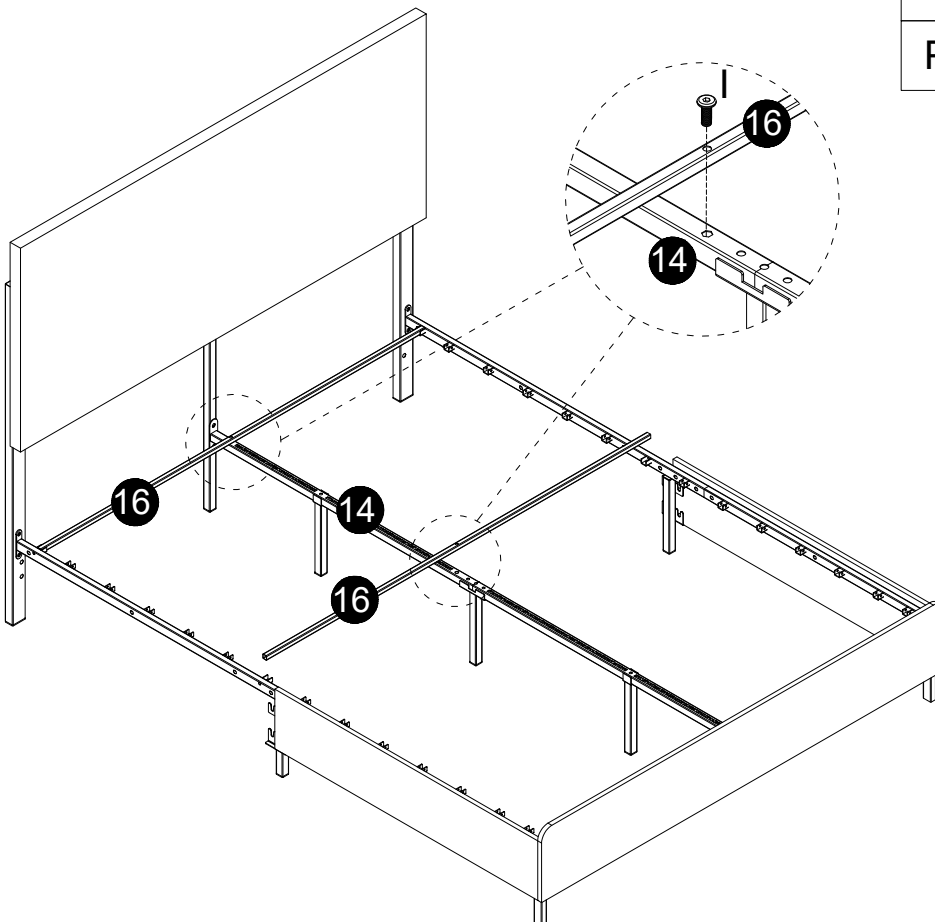
7

F		8*15mm	4pcs
O		M8	1pc





8

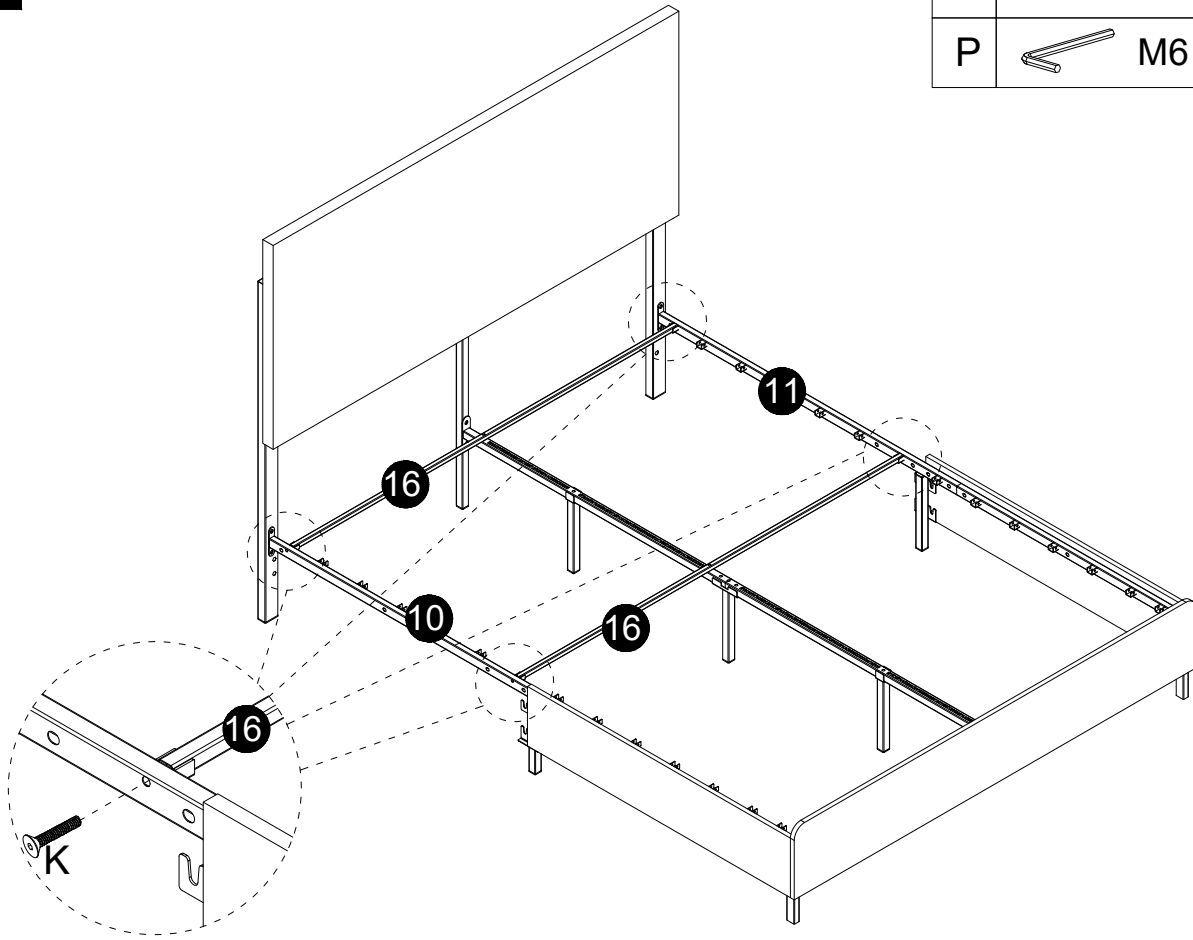
I		6*25mm	2pcs
P		M6	1pc





ASSEMBLY INSTRUCTIONS

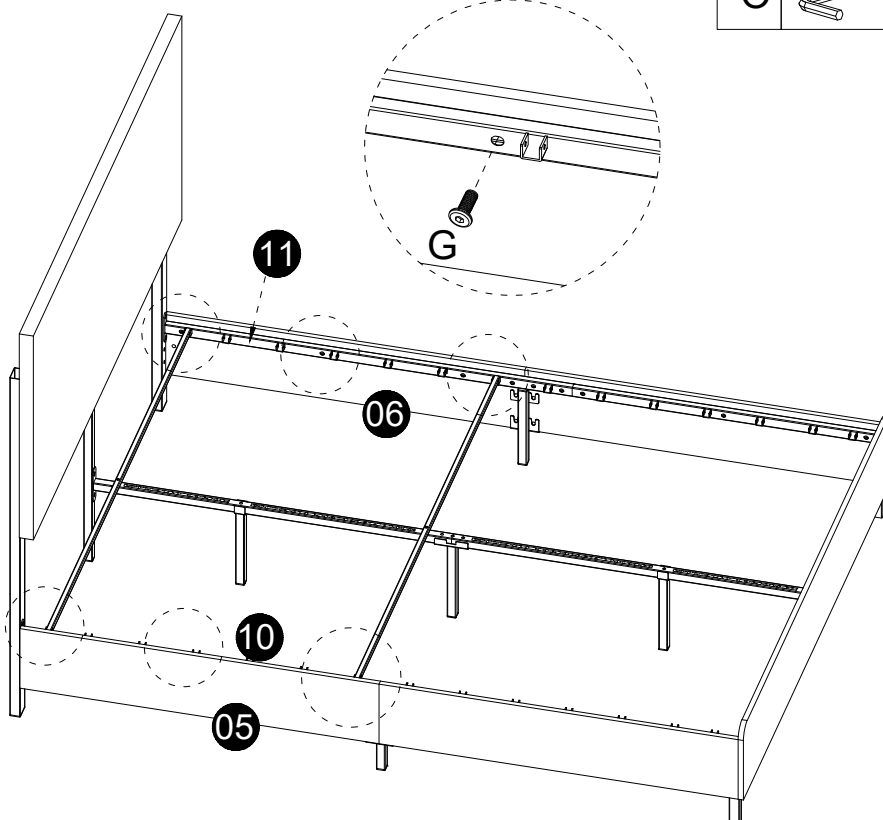
9

K		6*40mm	4pcs
P		M6	1pc




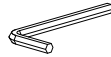
10

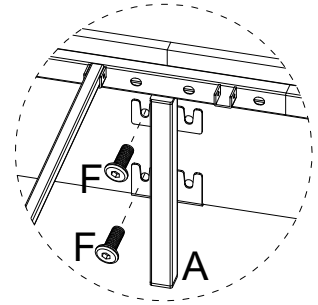
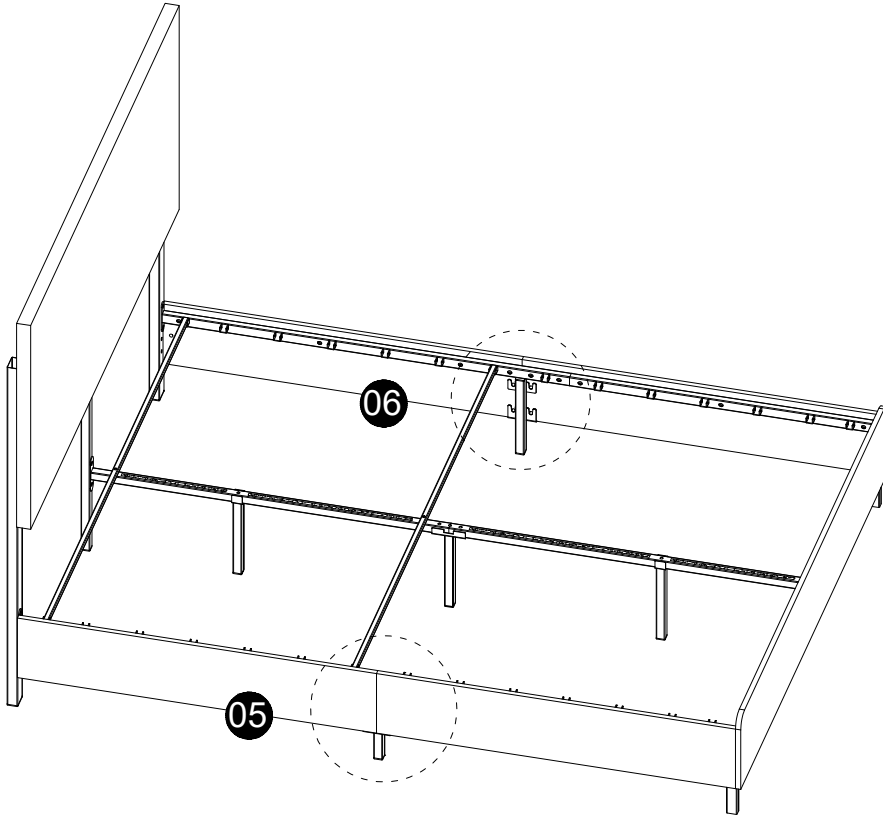
G		8*35mm	8pcs
O		M8	1pc







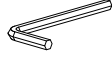
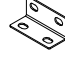
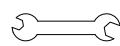
ASSEMBLY INSTRUCTIONS

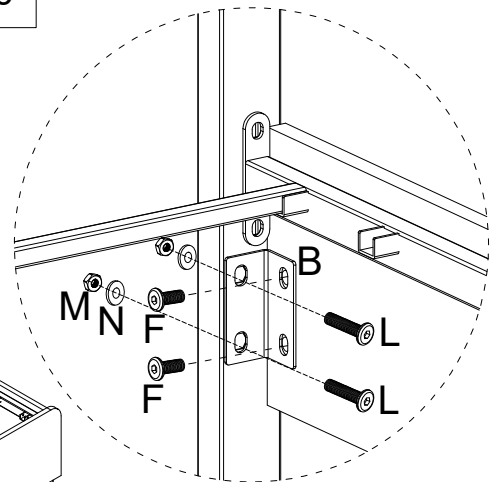
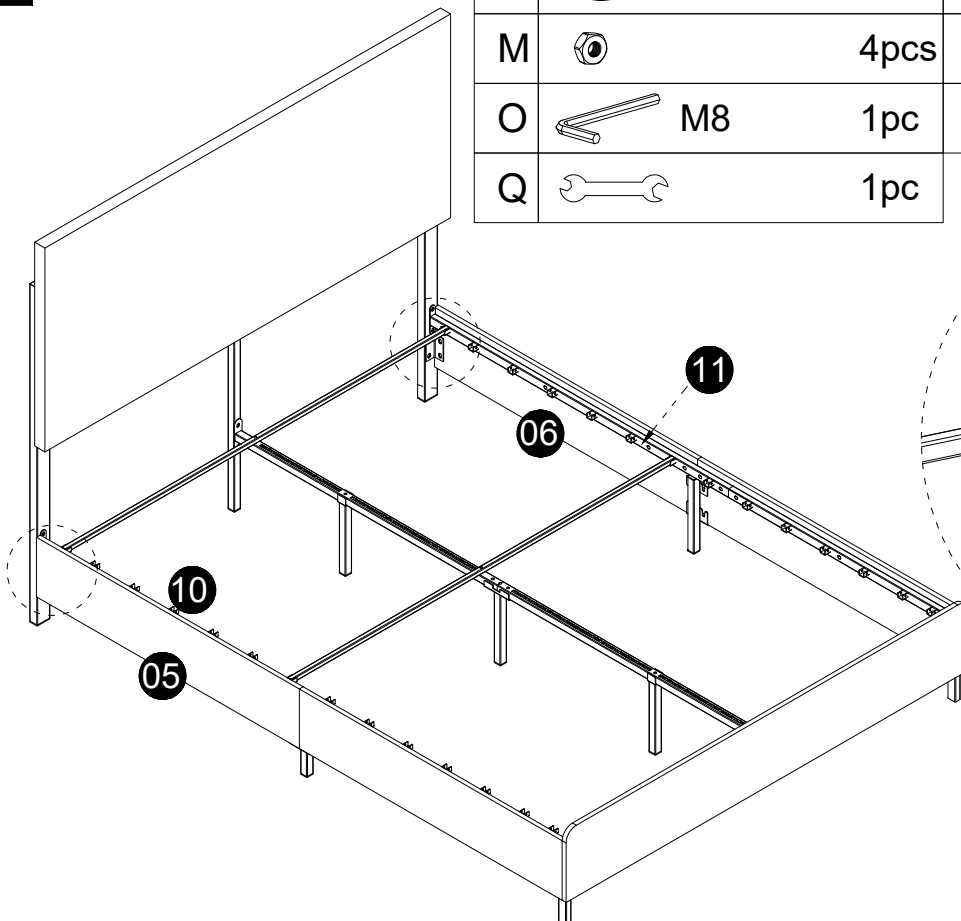
11

F		8*15mm	4pcs
O		M8	1pc

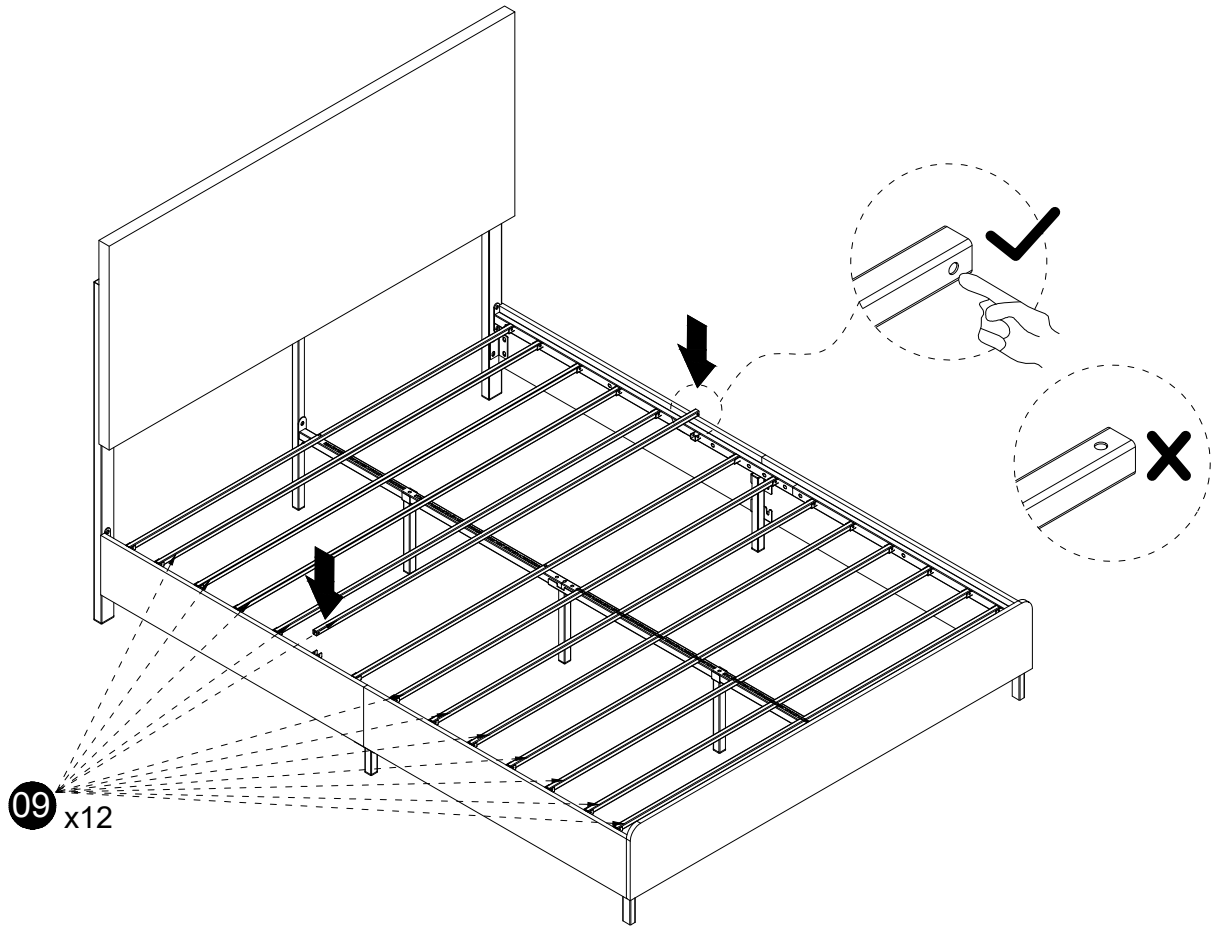


12

N		4pcs	F		8*15mm	4pcs
M		4pcs	L		8*40mm	4pcs
O		M8	B			2pcs
Q		1pc				

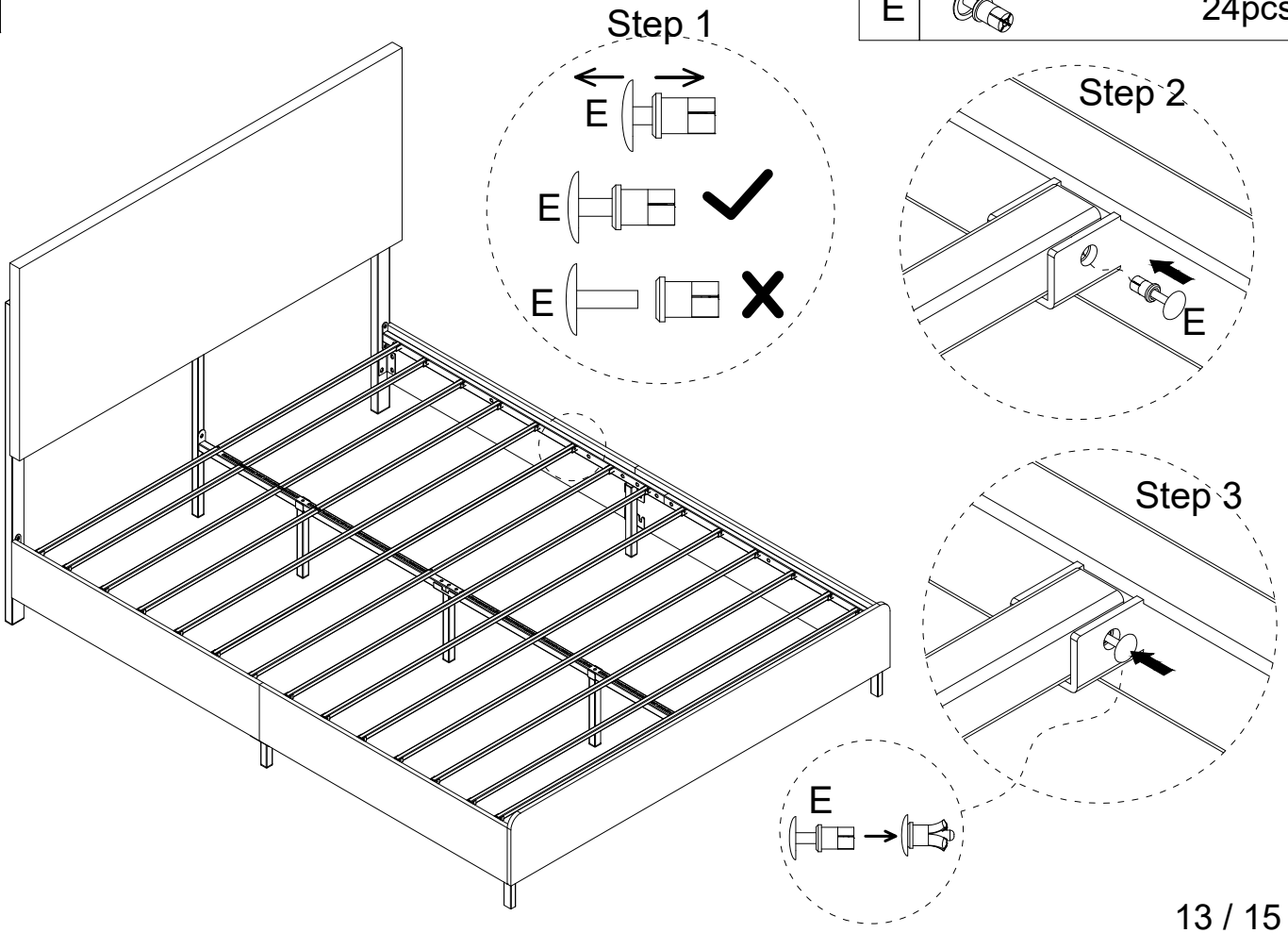


13

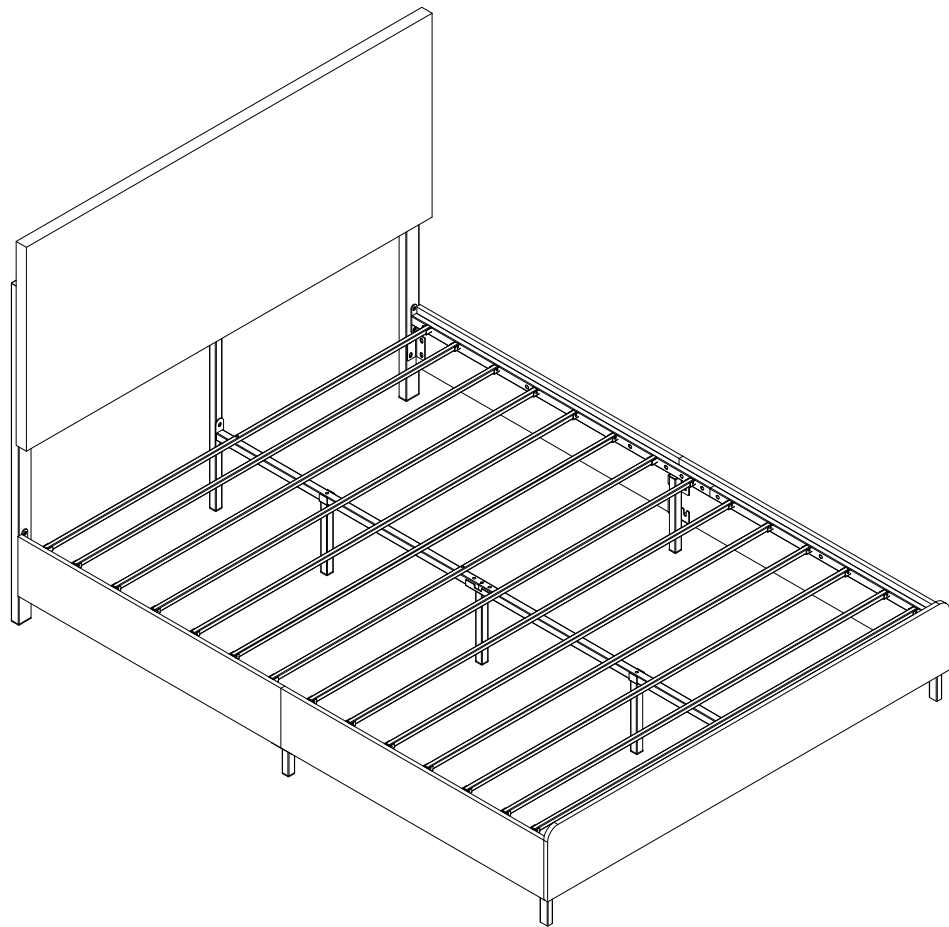


14

E  24pcs



15



NOTICE:

RETURN/DAMAGE CLAIM INSTRUCTIONS:

- In the case of having some defect in the material or handiwork that are covered by this item's warranty, we will repair or replace it for you without charging you any cost within a reasonable period of time.
- We reserve the damaged parts to be returned to us upon our request.

Return Policy:

- If you have any questions concerning this warranty, please contact our Customer Service department by sending an email to Service@belffin.com.
Be prepared to provide your name, address, daytime phone number, the model and purchase order number of the product, date of the purchase, and the store where it was ordered.
All of these information provided by you, will help us to track your order easily and solve your problem in the shortest time.
- This warranty gives you specific rights, and you still possess other rights, which vary in terms of each case.
- In the end, we hope you can enjoy our product.
Wish you and your family have a great life.