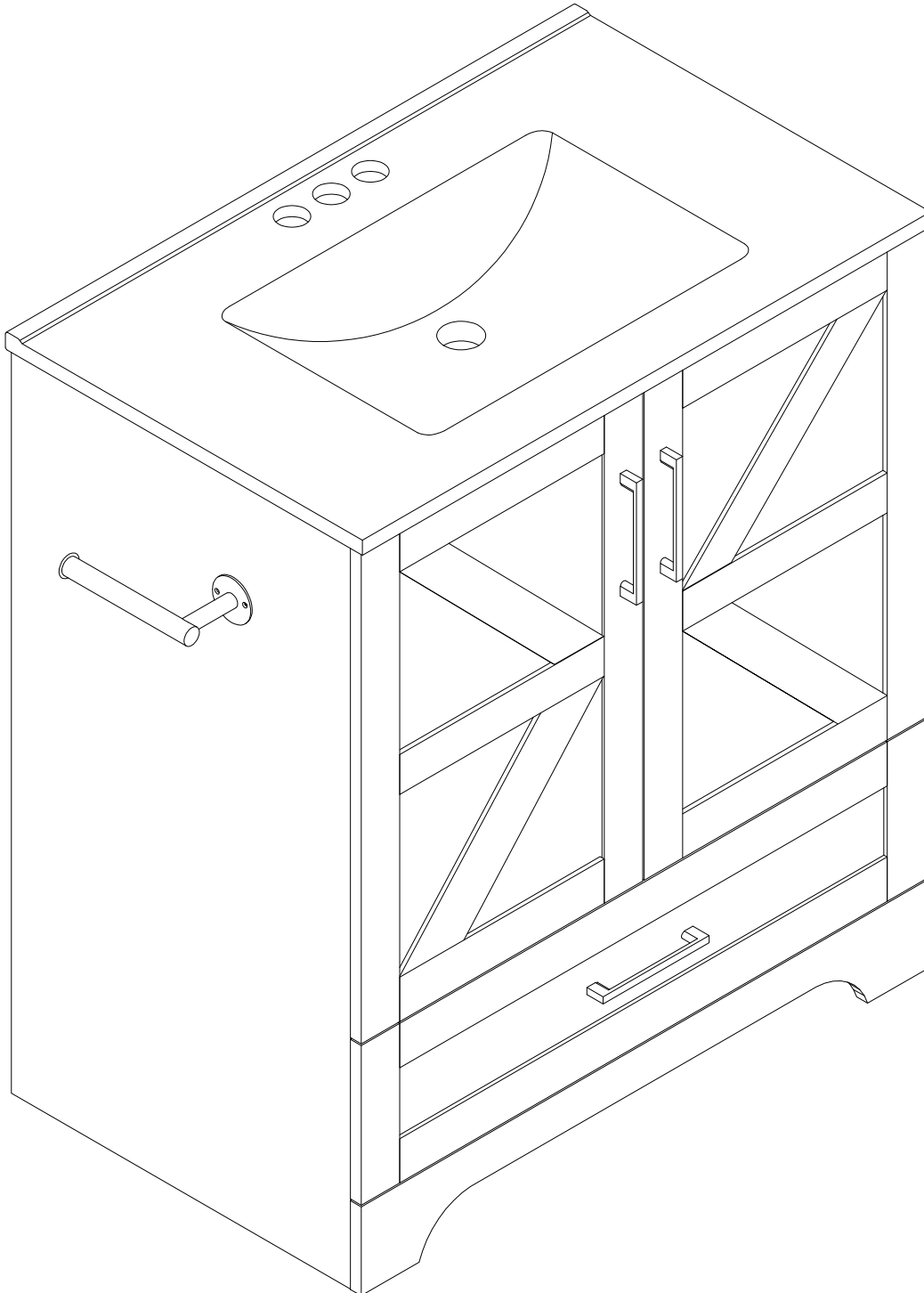
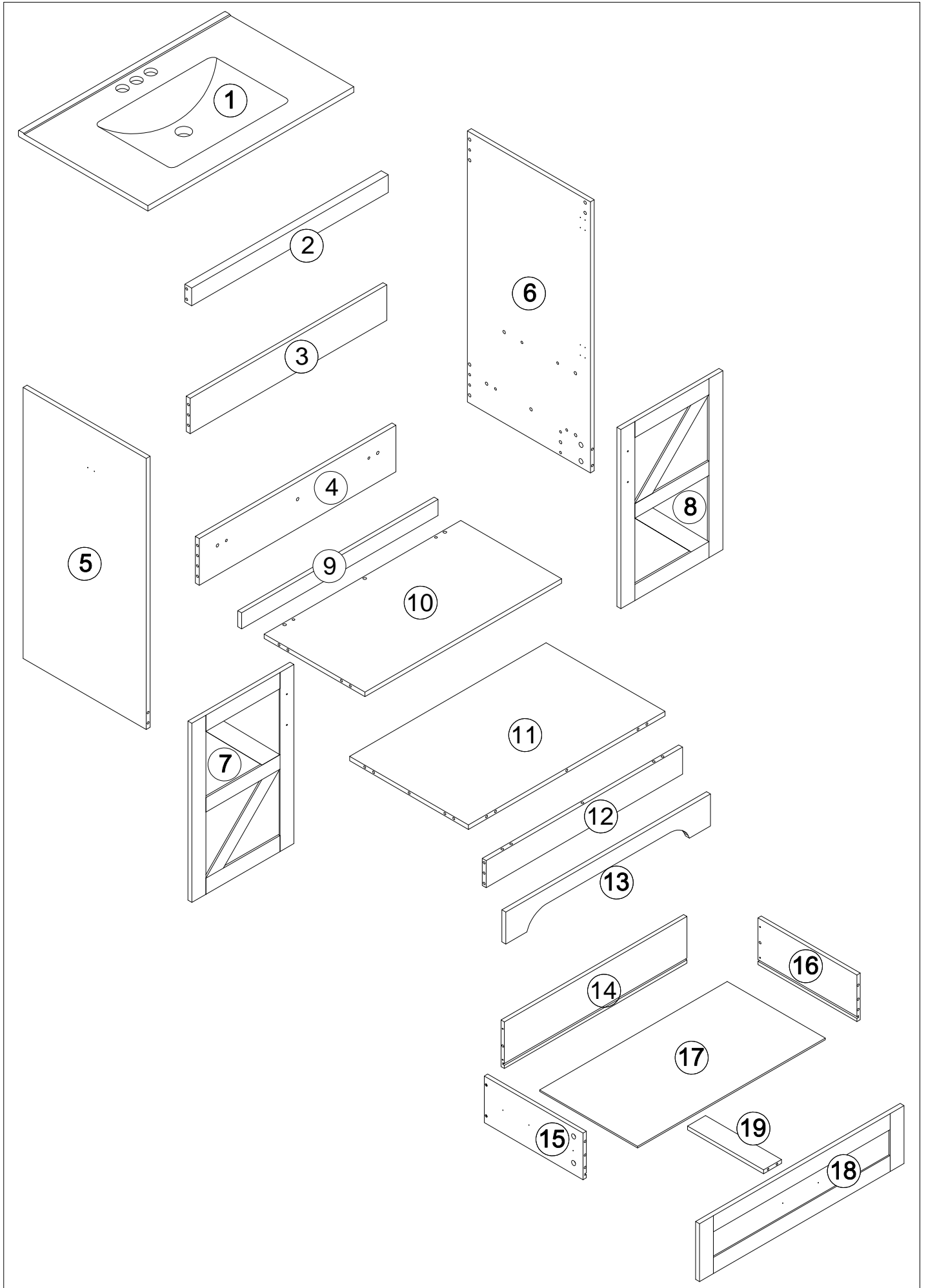
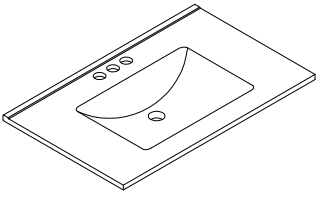
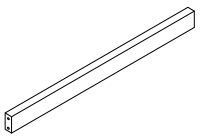
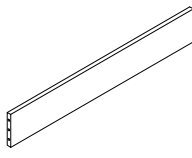
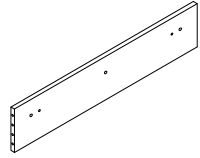
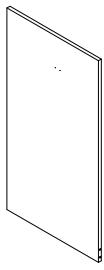
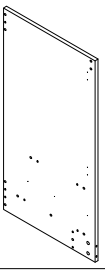
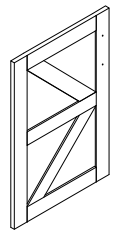
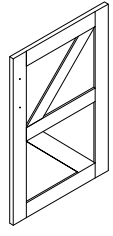
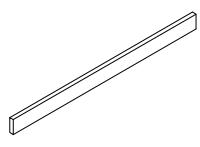
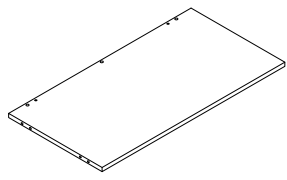
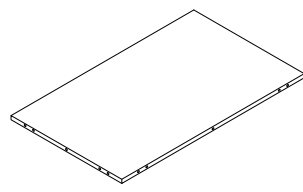
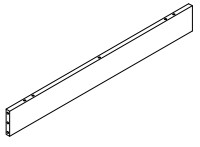
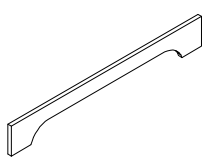
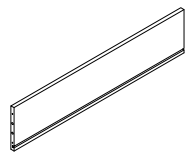
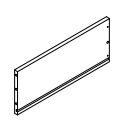
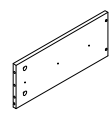
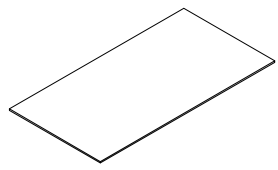
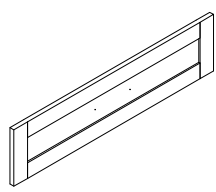
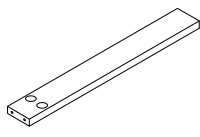







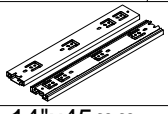






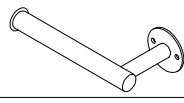
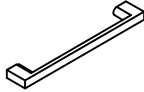
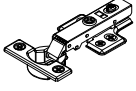


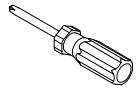
Assembly Instructions





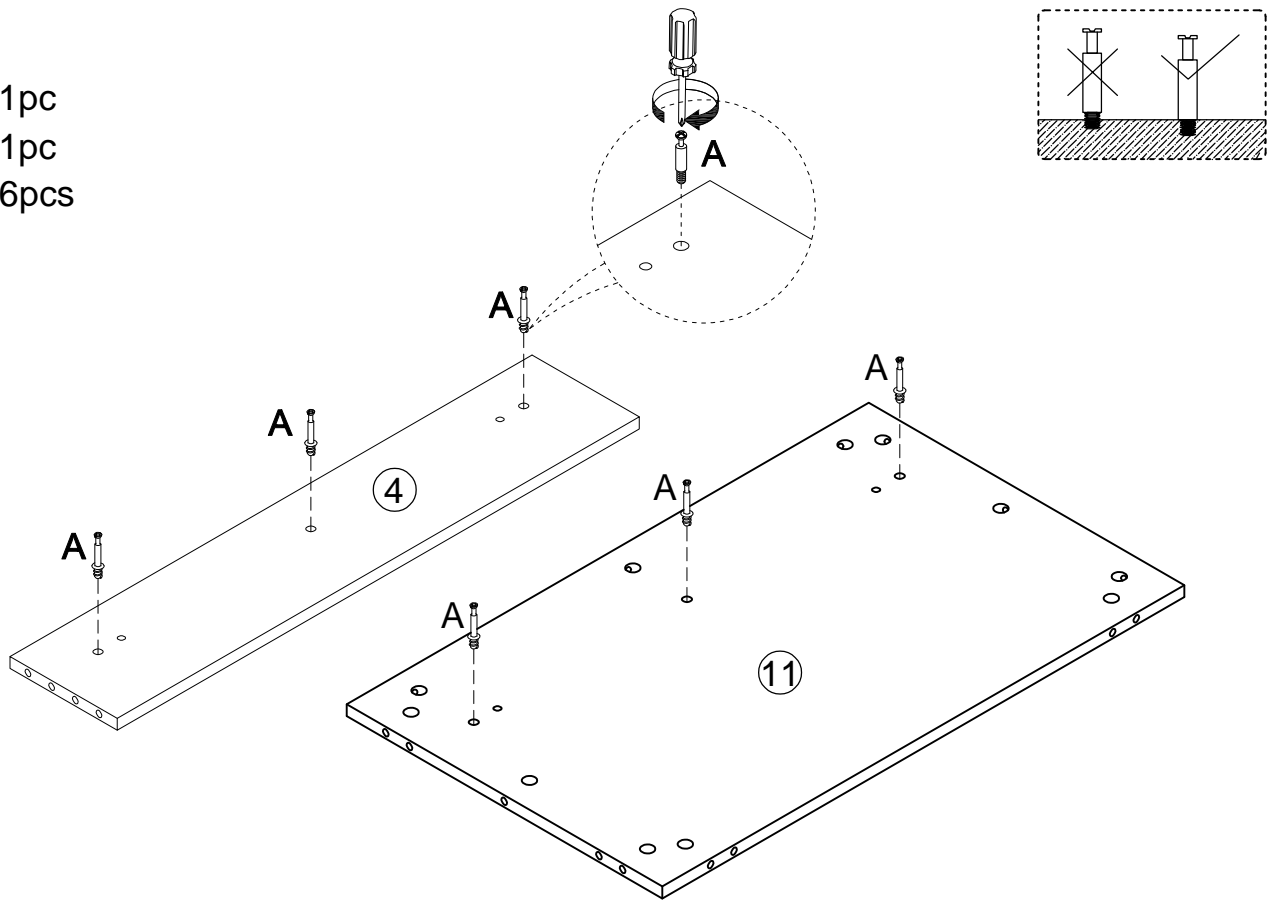
<p>① x1</p> 	<p>② x1</p> 	<p>③ x1</p> 	<p>④ x1</p> 
<p>⑤ x1</p> 	<p>⑥ x1</p> 	<p>⑦ x1</p> 	<p>⑧ x1</p> 
<p>⑨ x1</p> 	<p>⑩ x1</p> 	<p>⑪ x1</p> 	<p>⑫ x1</p> 
<p>⑬ x1</p> 	<p>⑭ x1</p> 	<p>⑮ x1</p> 	<p>⑯ x1</p> 
<p>⑰ x1</p> 	<p>⑱ x1</p> 	<p>⑲ x1</p> 	

Hardware

<p>A</p>  <p>Ø6x40mm</p>	<p>B</p>  <p>Ø15x9.5mm</p>	<p>C</p>  <p>Ø8x30mm</p>	<p>D</p>  <p>14"x45mm</p>
<p>E</p>  <p>#8x35mm</p>	<p>F</p>  <p>5/32"x19mm</p>	<p>G</p>  <p>5/32"x10mm</p>	<p>H</p>  <p>#8x15mm</p>
<p>I</p>  <p>#3.5x12mm</p>	<p>J</p>  <p>#8x12mm</p>	<p>K</p> 	<p>L</p> 
<p>M</p>  <p>Ø35mm</p>	<p>N</p>  <p>#8x45mm</p>	<p>O</p>  <p>Ø5x35mm</p>	<p>P</p> 

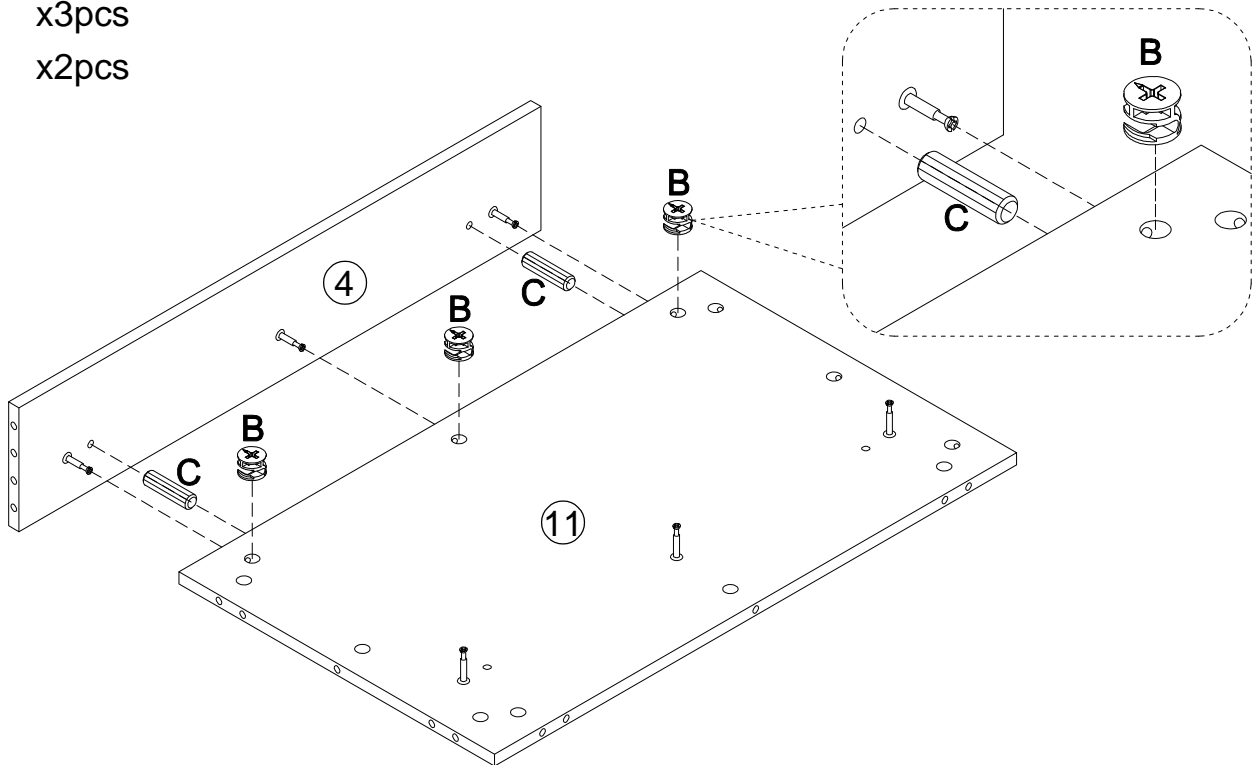
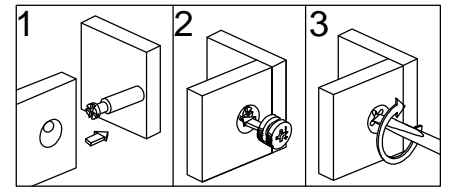
1

- ④ x1pc
- ⑪ x1pc
- A x6pcs



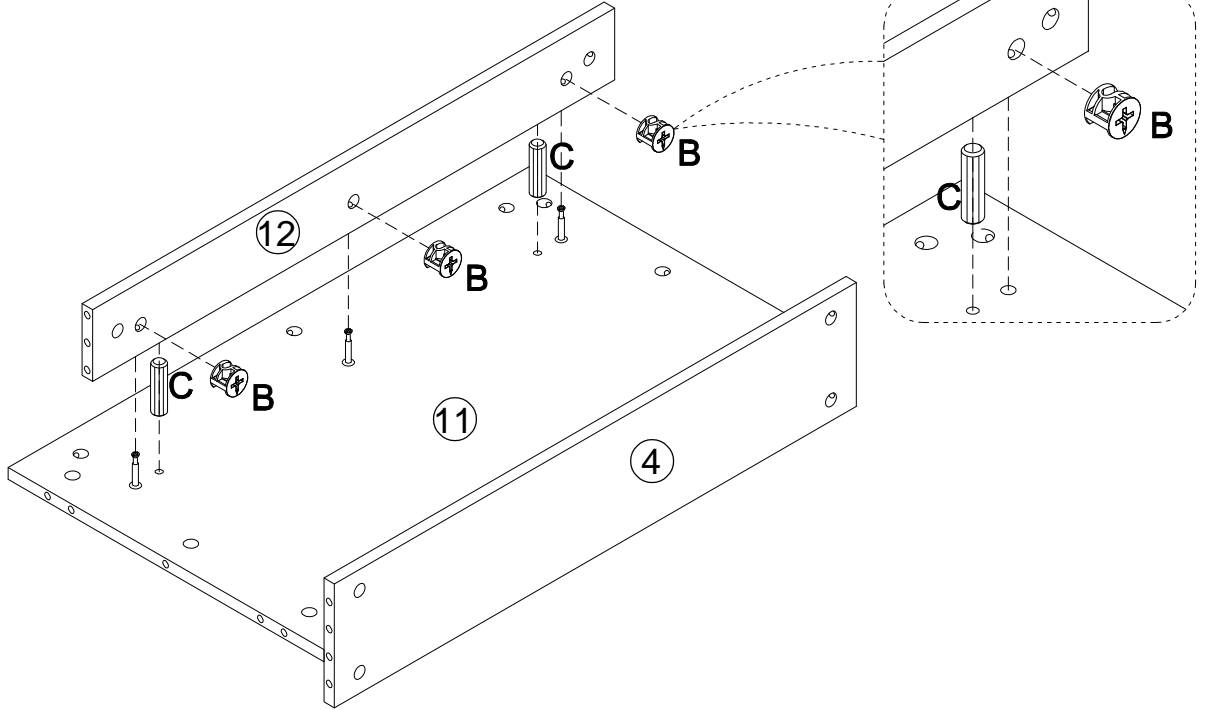
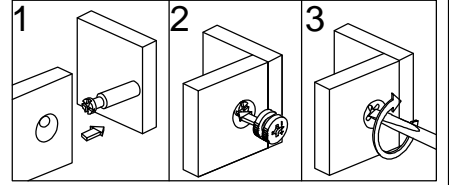
2

- ④ x1pc
- ⑪ x1pc
- B x3pcs
- C x2pcs



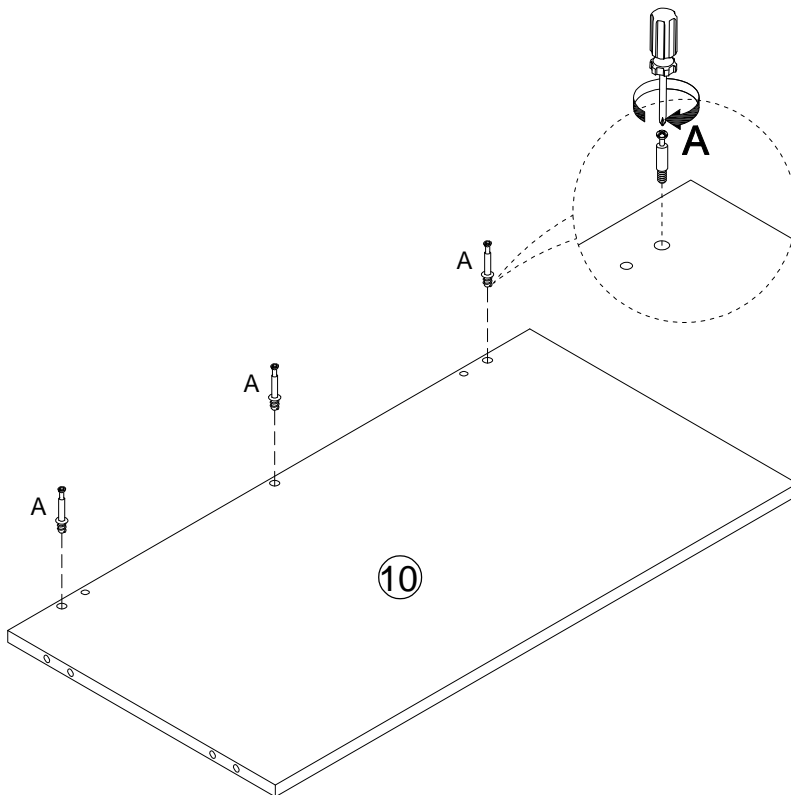
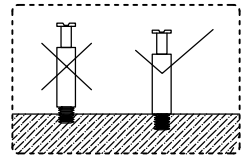
3

- ⑫ x1pc
- B x3pcs
- C x2pcs

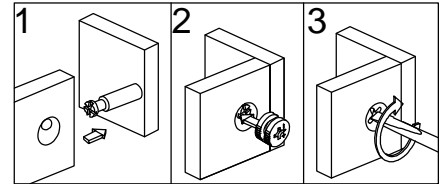


4

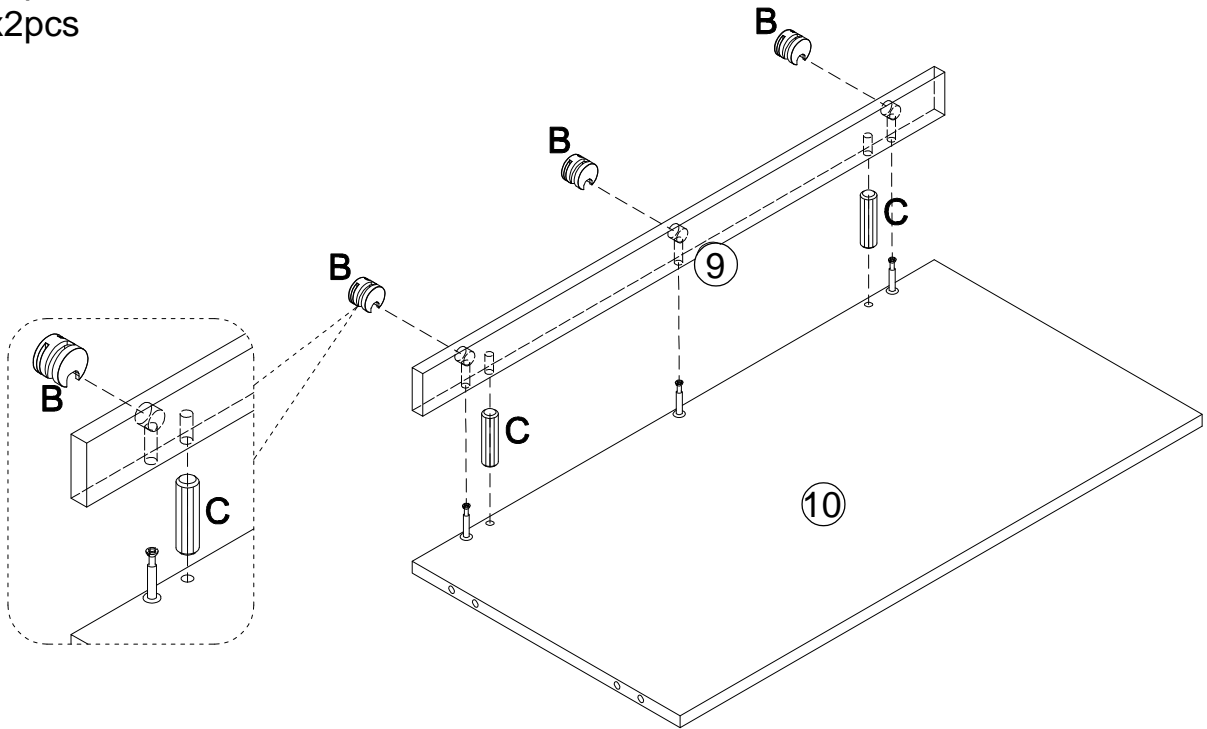
- ⑩ x1pc
- A x3pcs



5



- ⑨ x1pc
- ⑩ x1pc
- B x3pcs
- C x2pcs



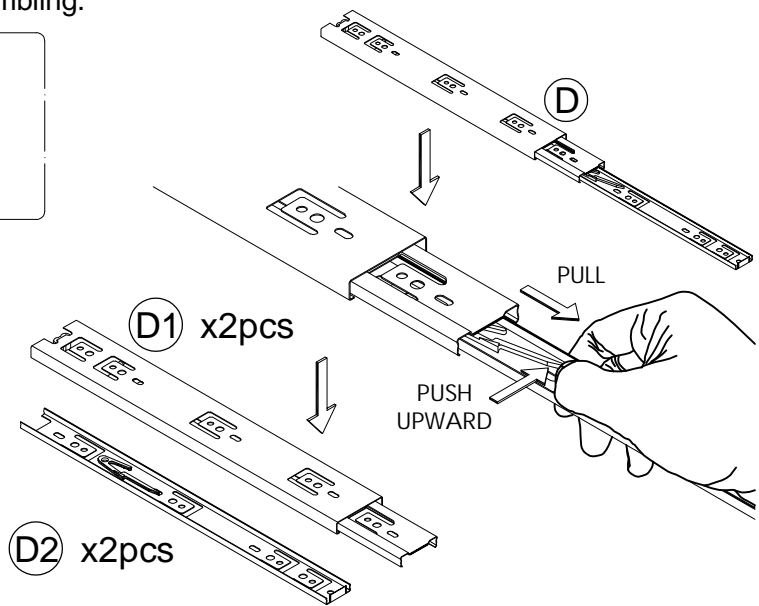
6

- Ⓓ x1pc

INSTALLATION STEPS

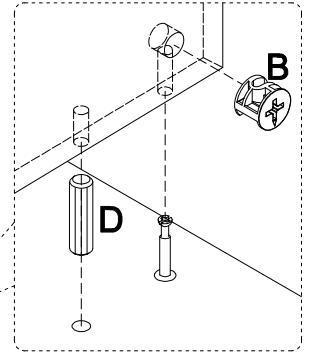
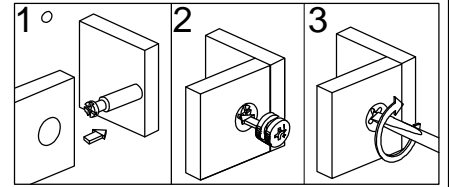
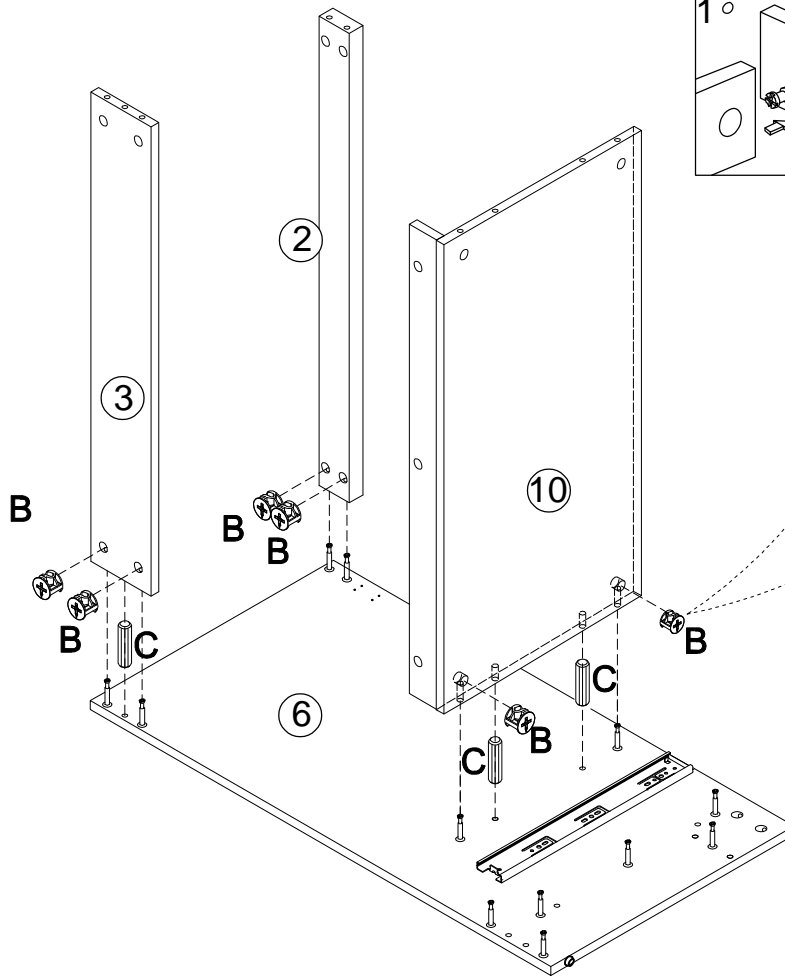
Press the plastic part in the indicated direction to separate drawer runner **D1** and **D2** before assembling.

REMARK:
Please grip the **D1** part while sliding the **D2** part



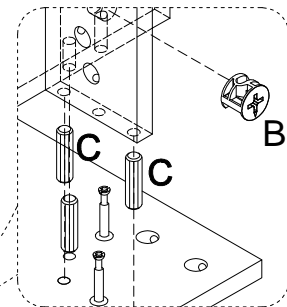
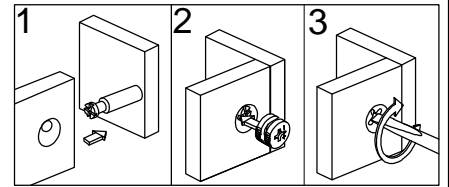
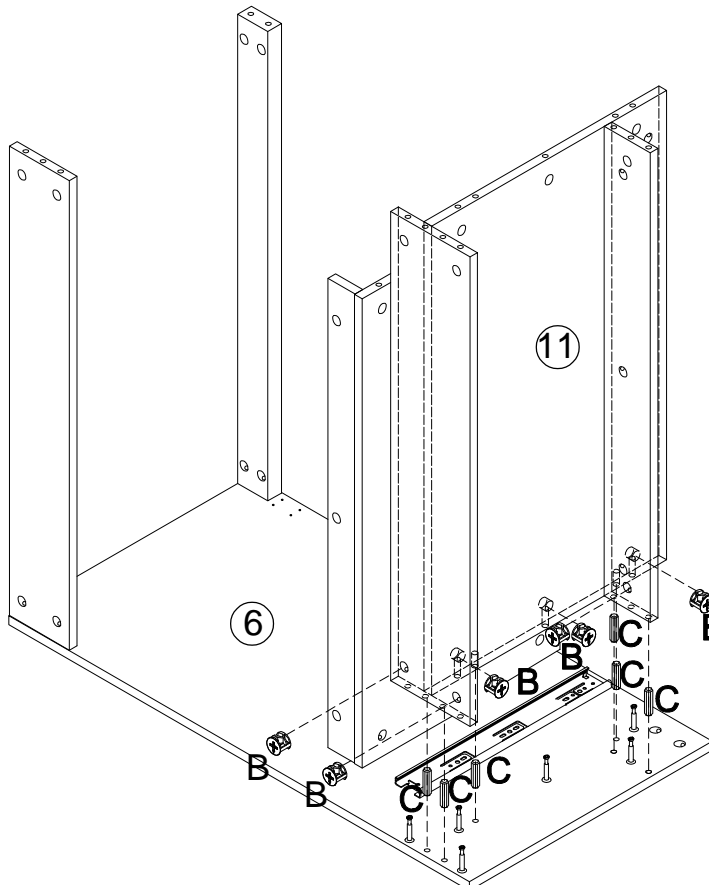
9

- ② x1pc
- ③ x1pc
- ⑥ x1pc
- ⑩ x1pc
- B x6pcs
- C x3pcs



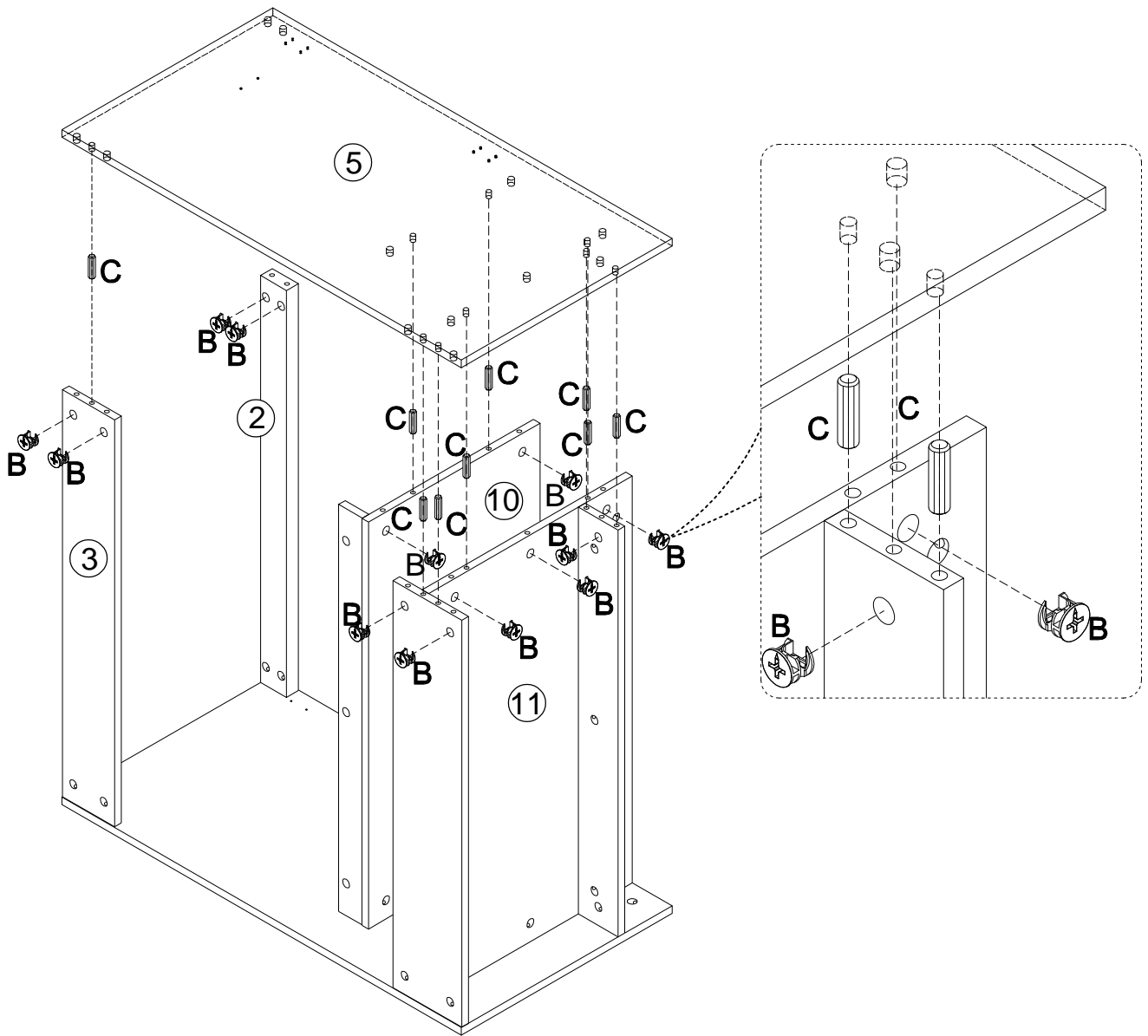
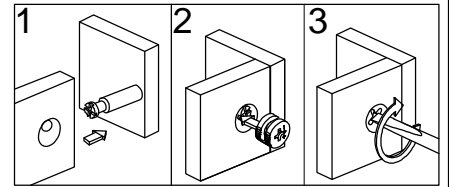
10

- ⑪ x1pc
- B x6pcs
- C x6pcs



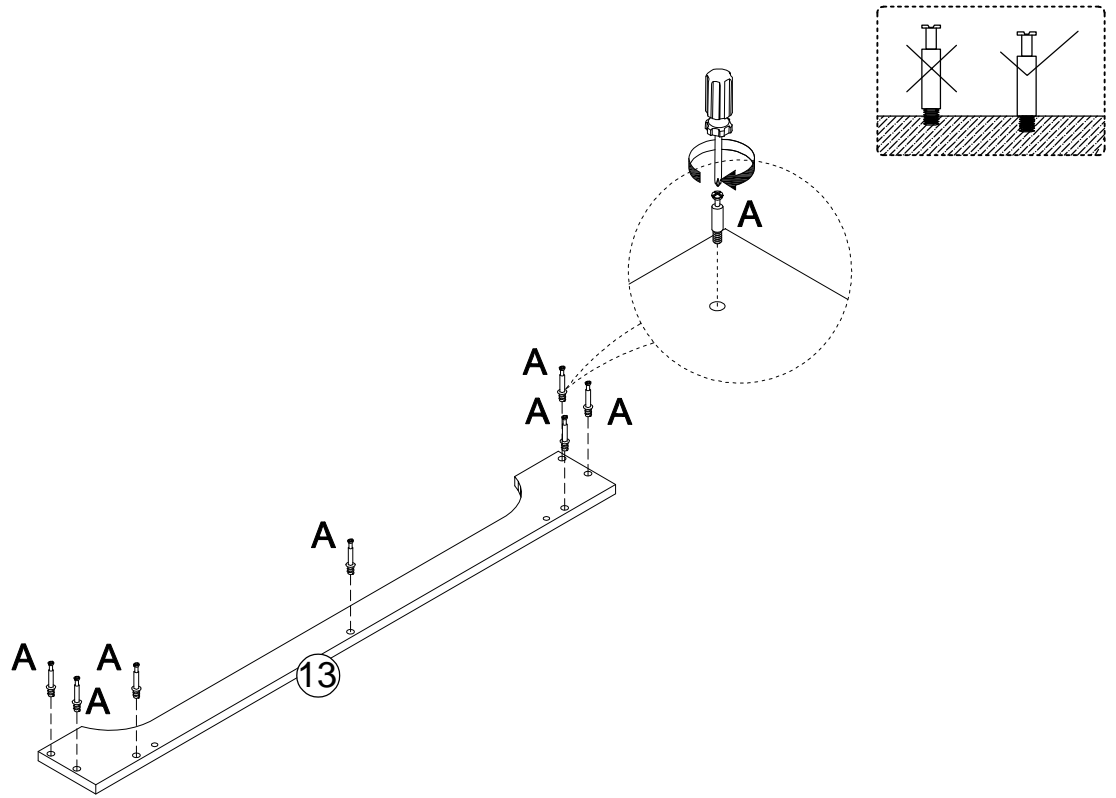
11

- ⑤ x1pc
- B x12pcs
- C x9pcs



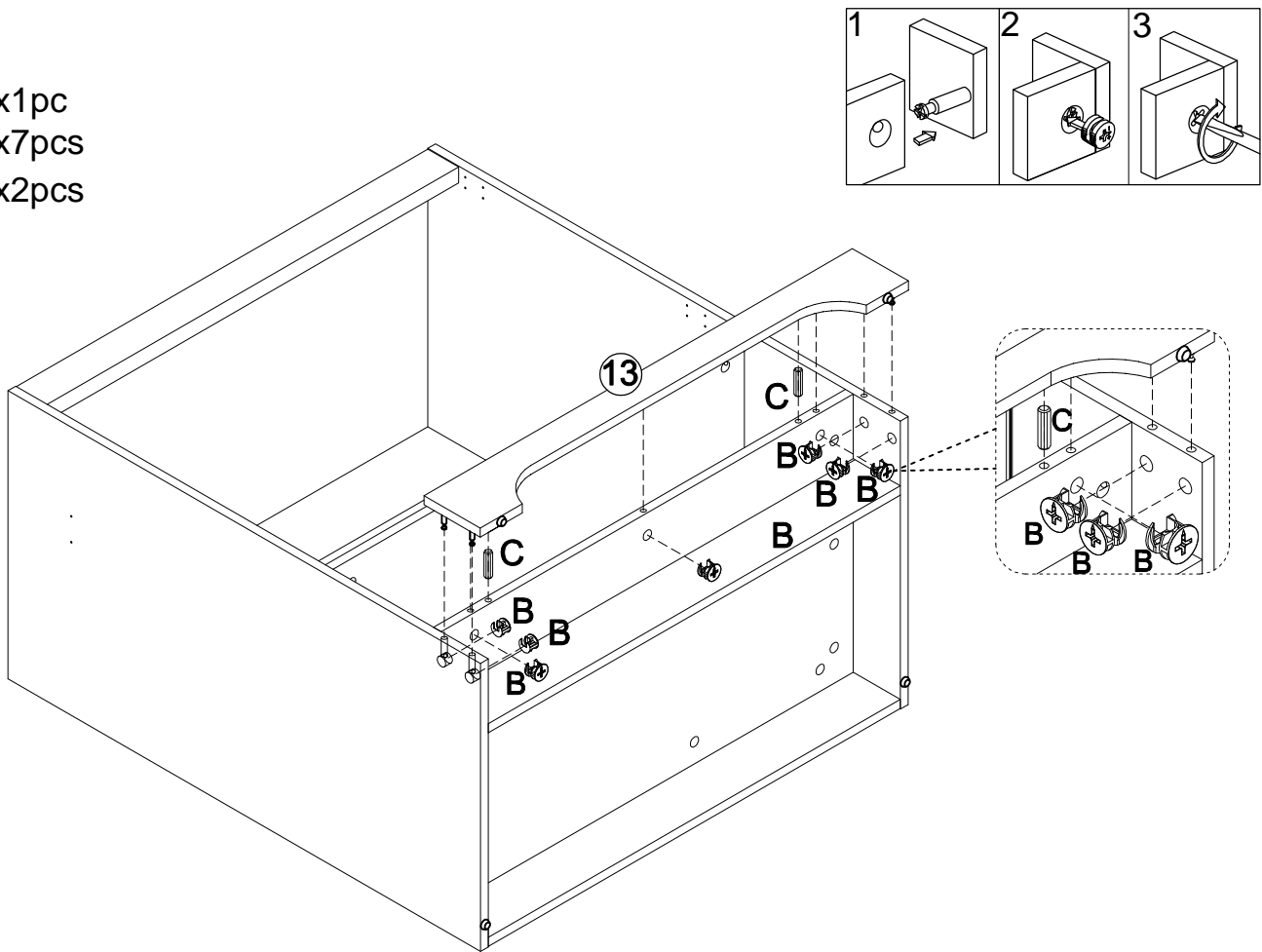
12

- ⑬ x1pc
- A x7pcs



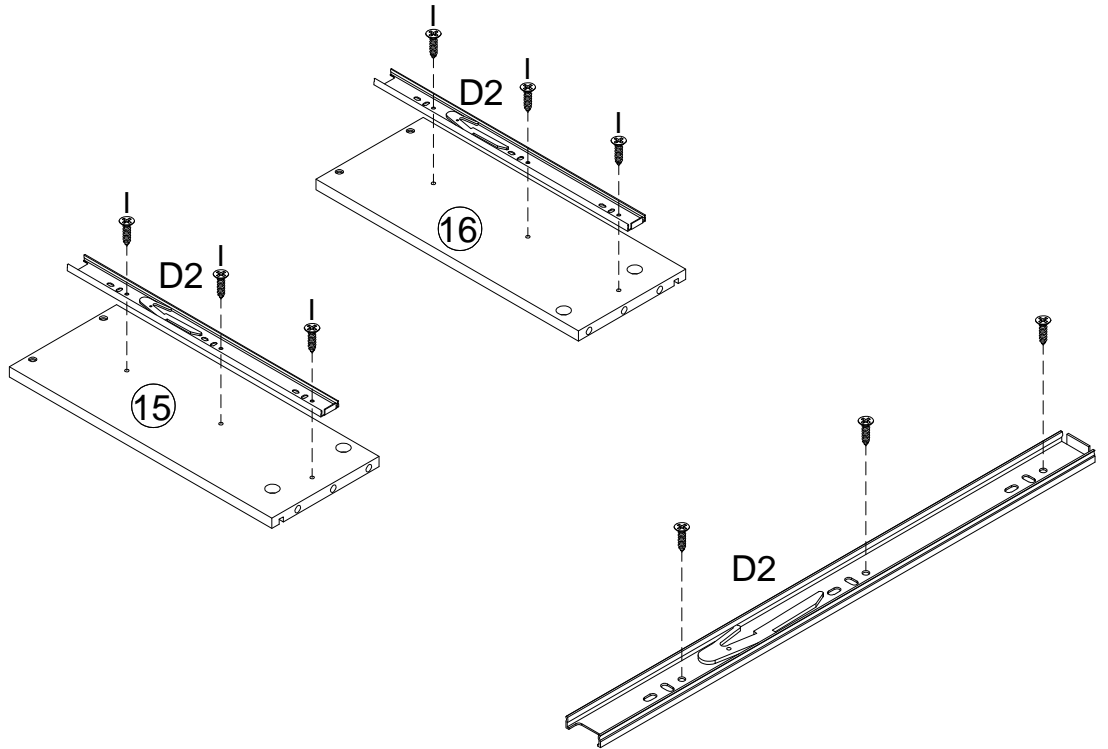
13

- ⑬ x1pc
- B x7pcs
- C x2pcs



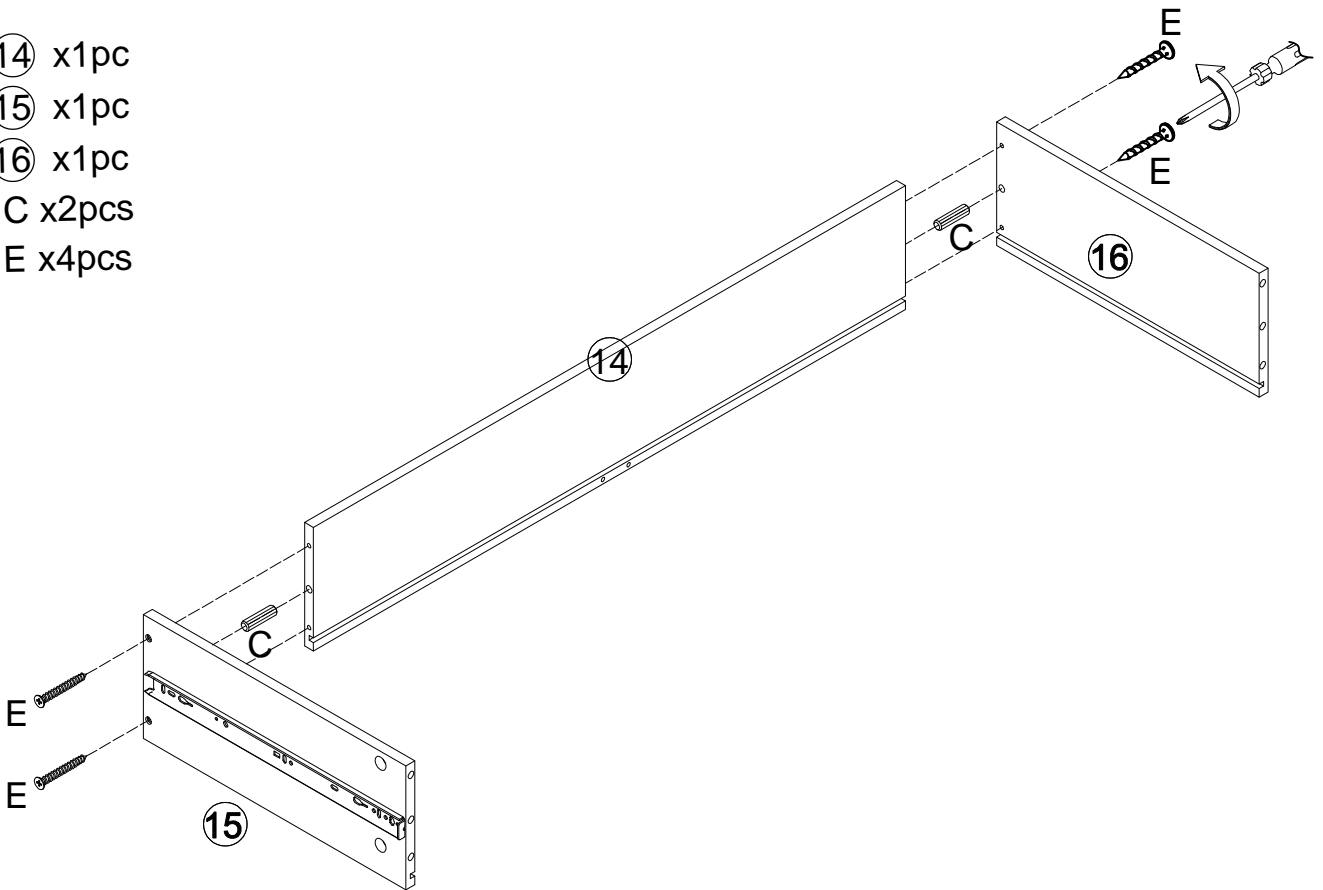
14

- ⑮ x1pc
- ⑯ x1pc
- D2 x2pcs
- I x6pcs



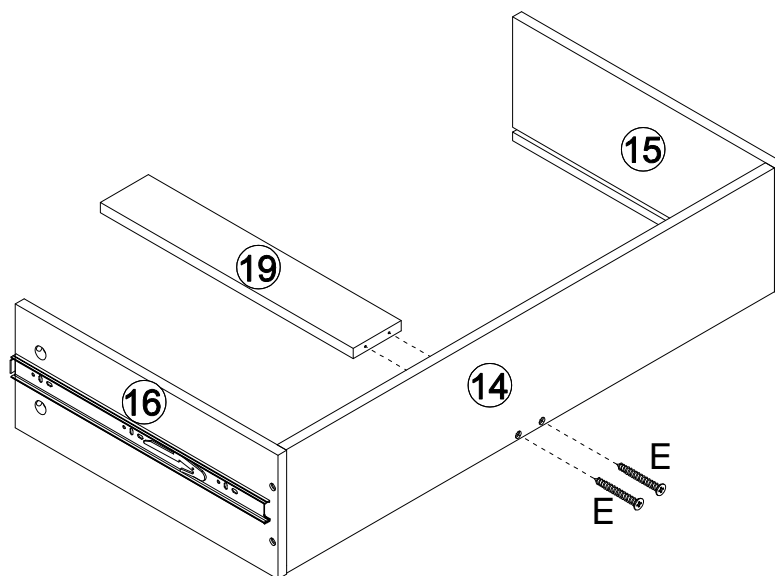
15

- ⑭ x1pc
- ⑮ x1pc
- ⑯ x1pc
- C x2pcs
- E x4pcs



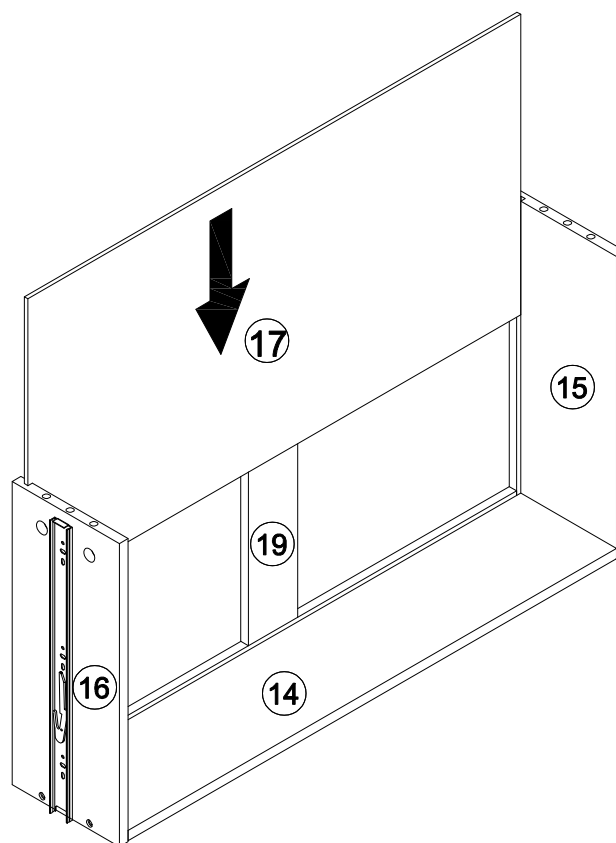
16

①9 x1pc
E x2pcs



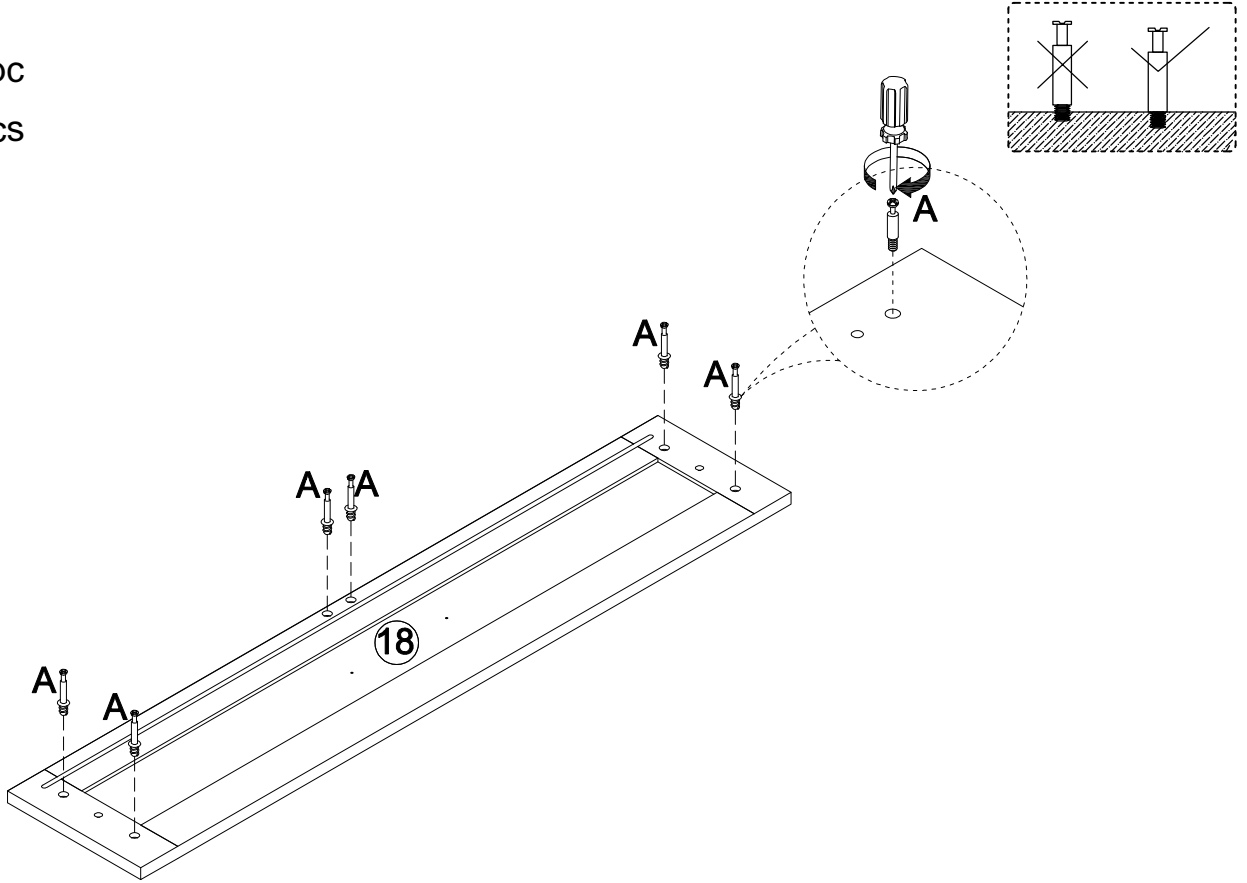
17

①7 x1pc



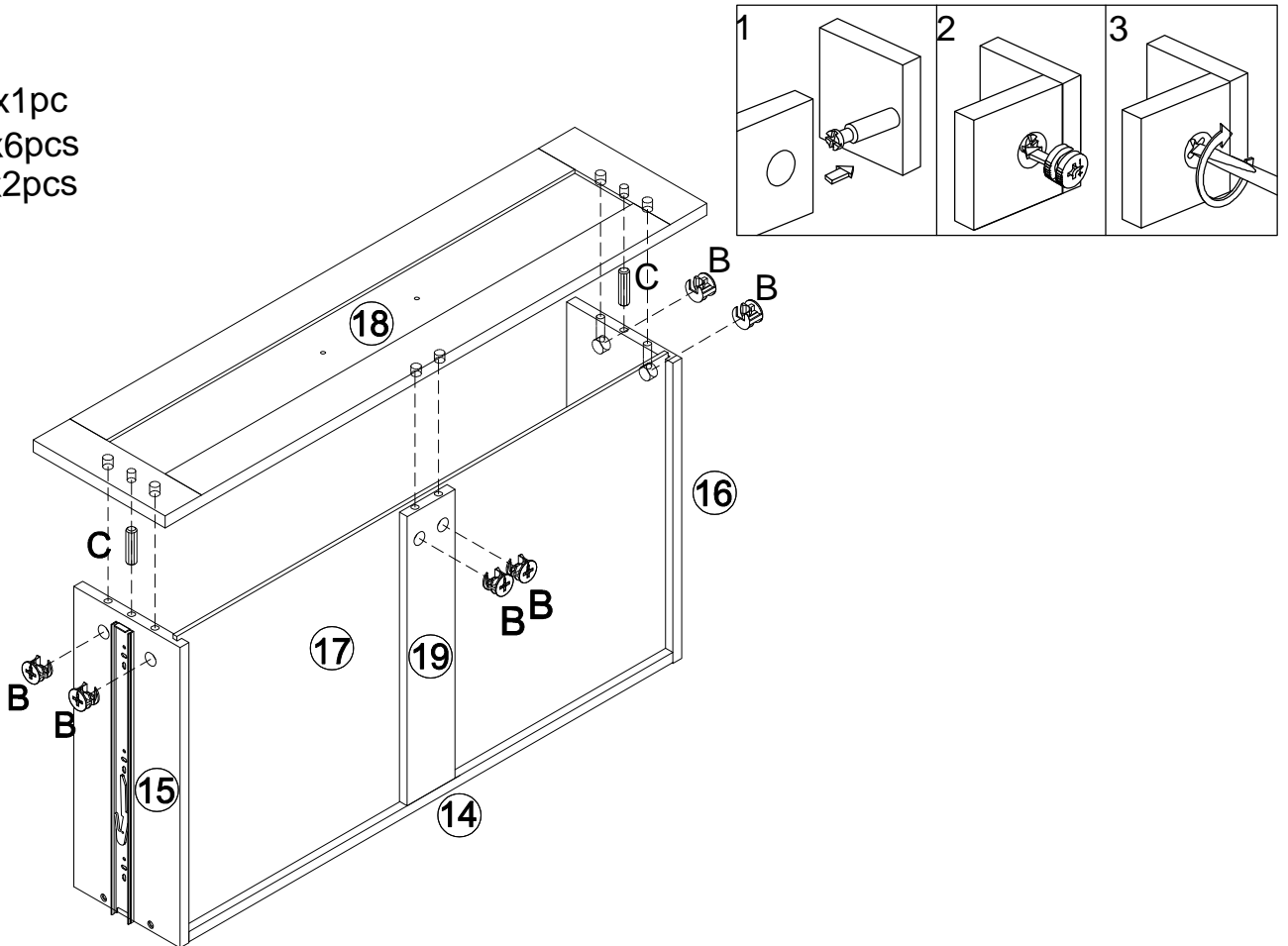
18

①⑧ x1pc
A x6pcs



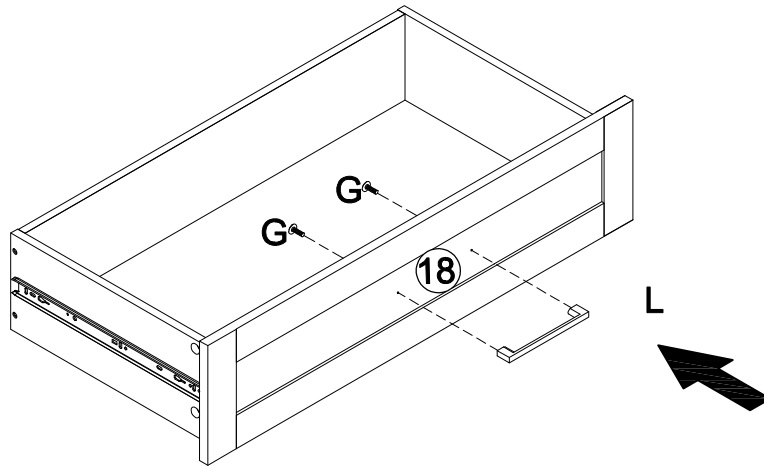
19

①⑧ x1pc
B x6pcs
C x2pcs

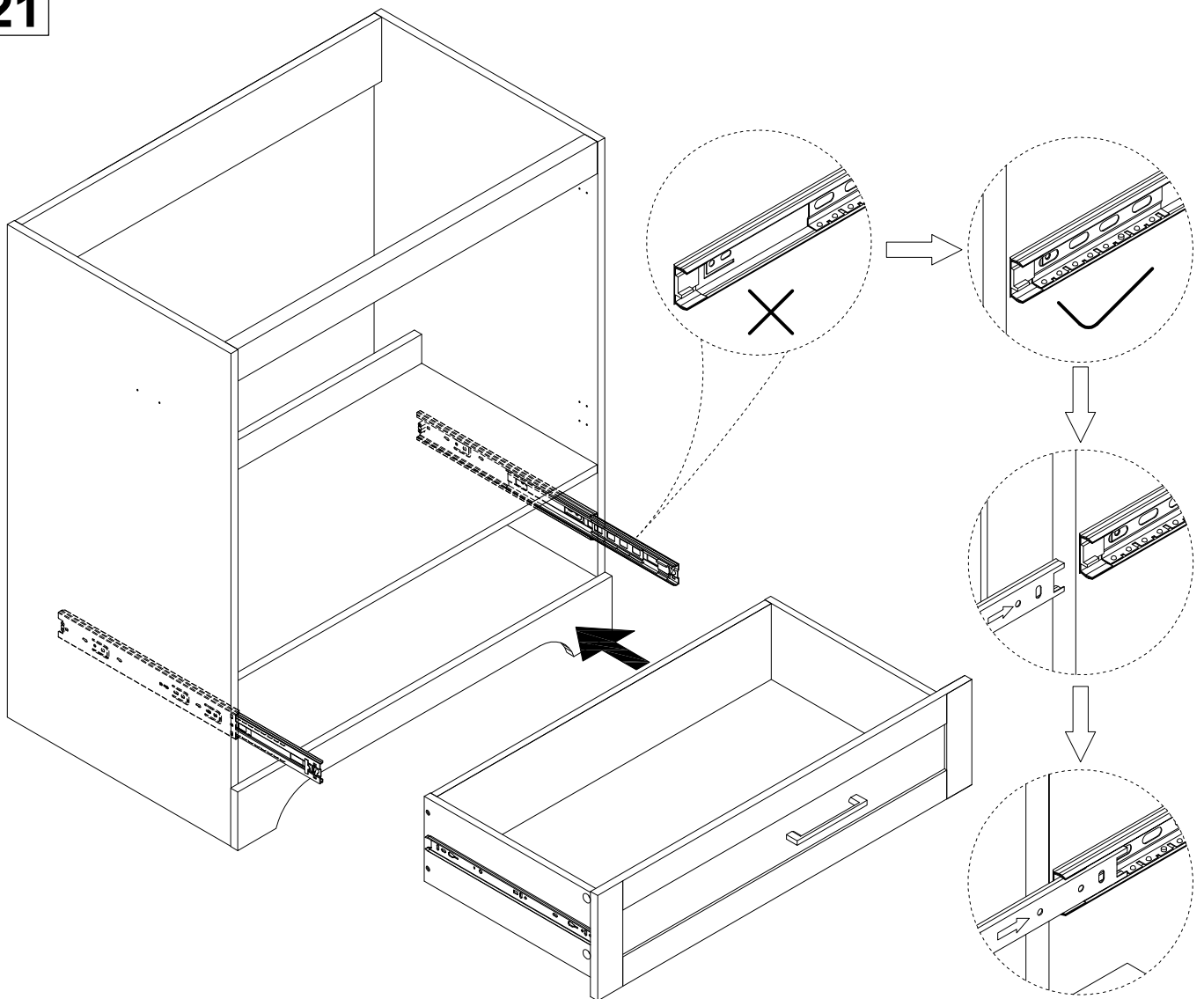


20

G x2pcs
L x1pc

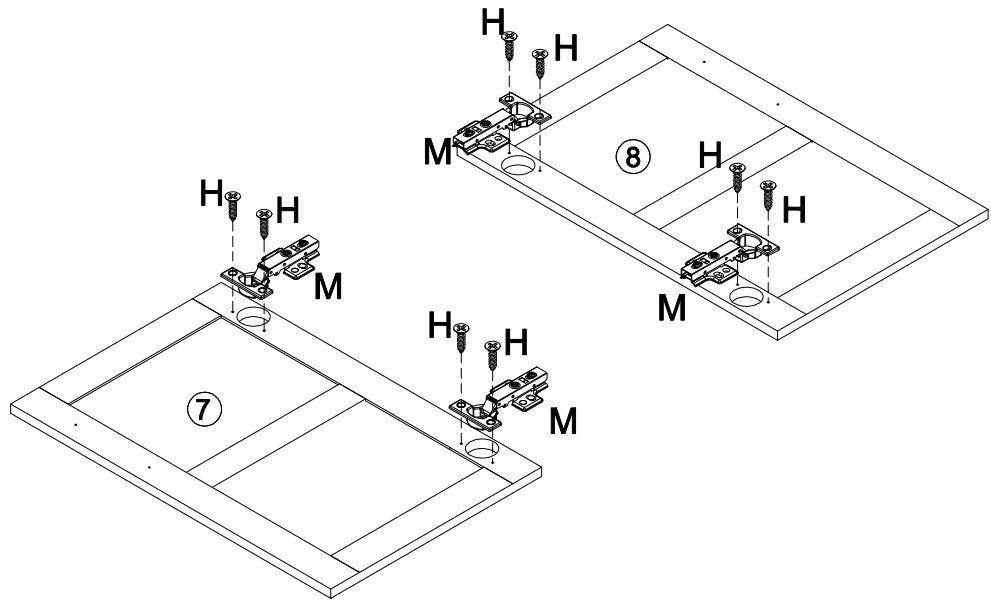


21



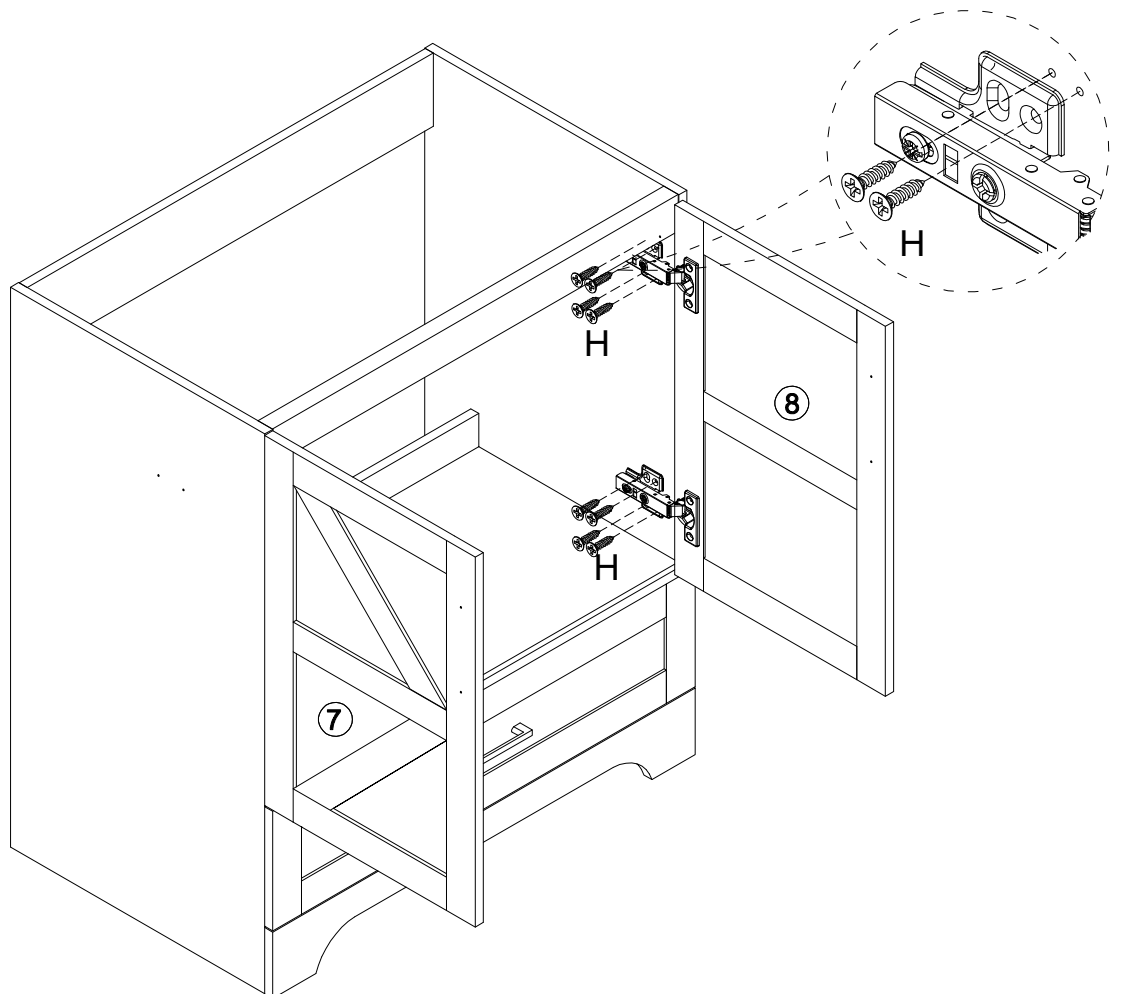
22

- ⑦ x1pc
- ⑧ x1pc
- H x8pcs
- M x4pcs

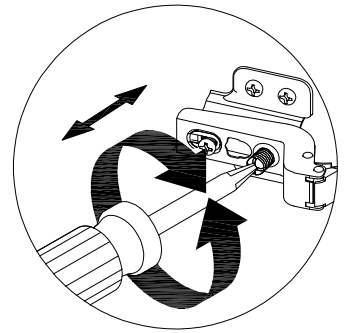
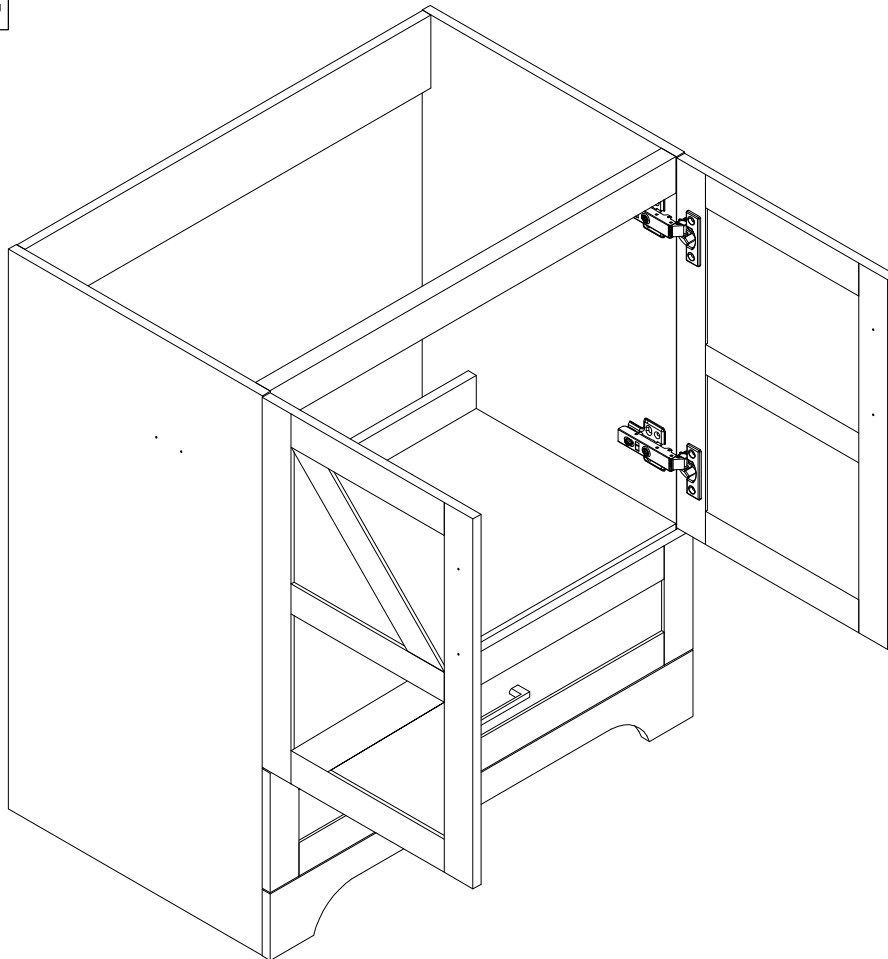


23

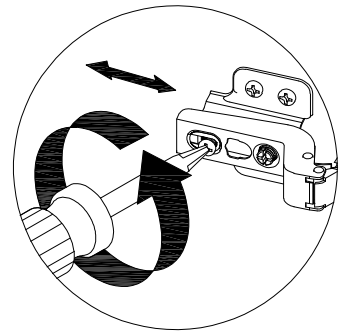
- ⑦ x1pc
- ⑧ x1pc
- H x16pcs



24



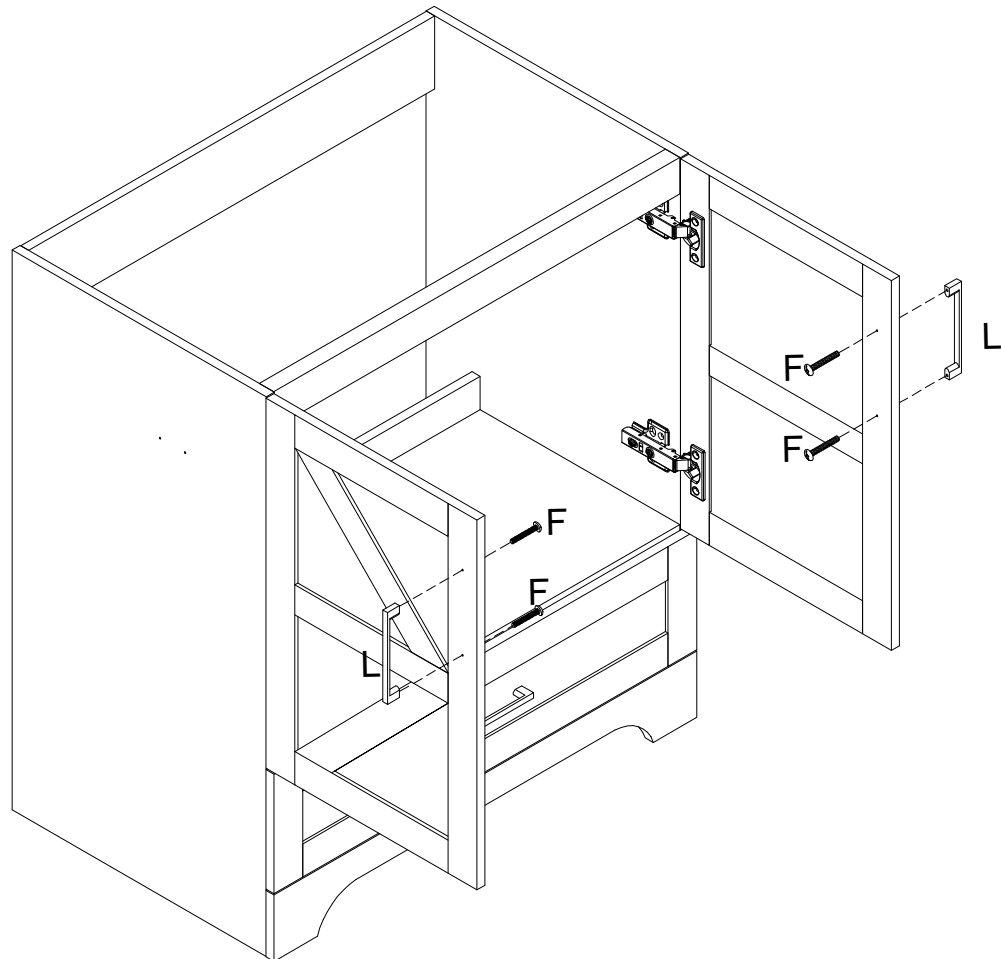
Change the Left-right distance by adjusting this part



Change the front-back distance by adjusting this part

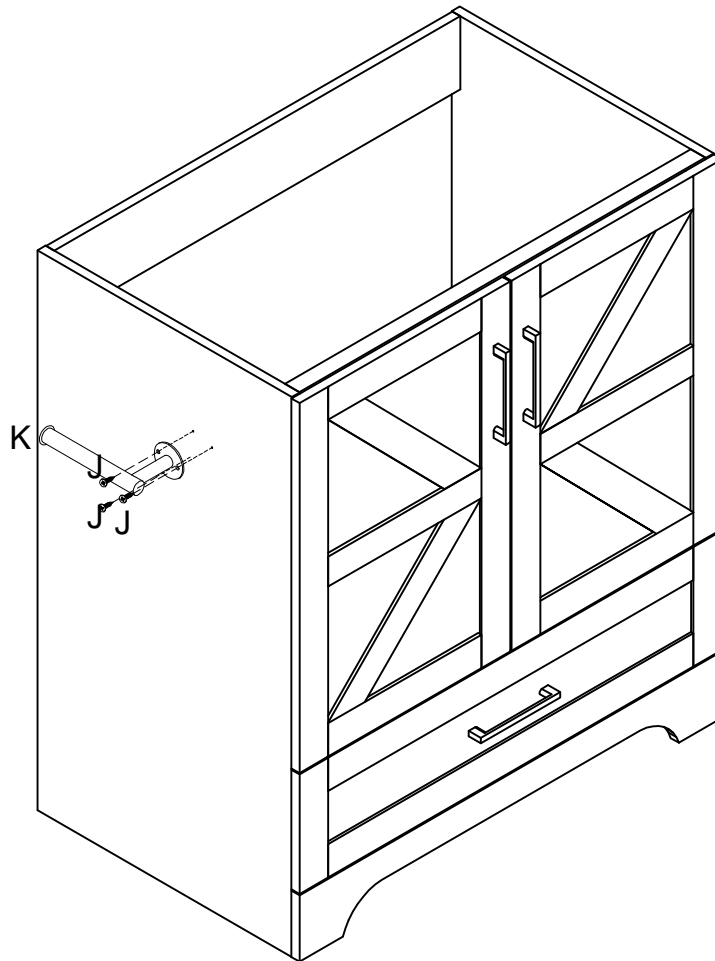
25

F x4pcs
L x2pcs



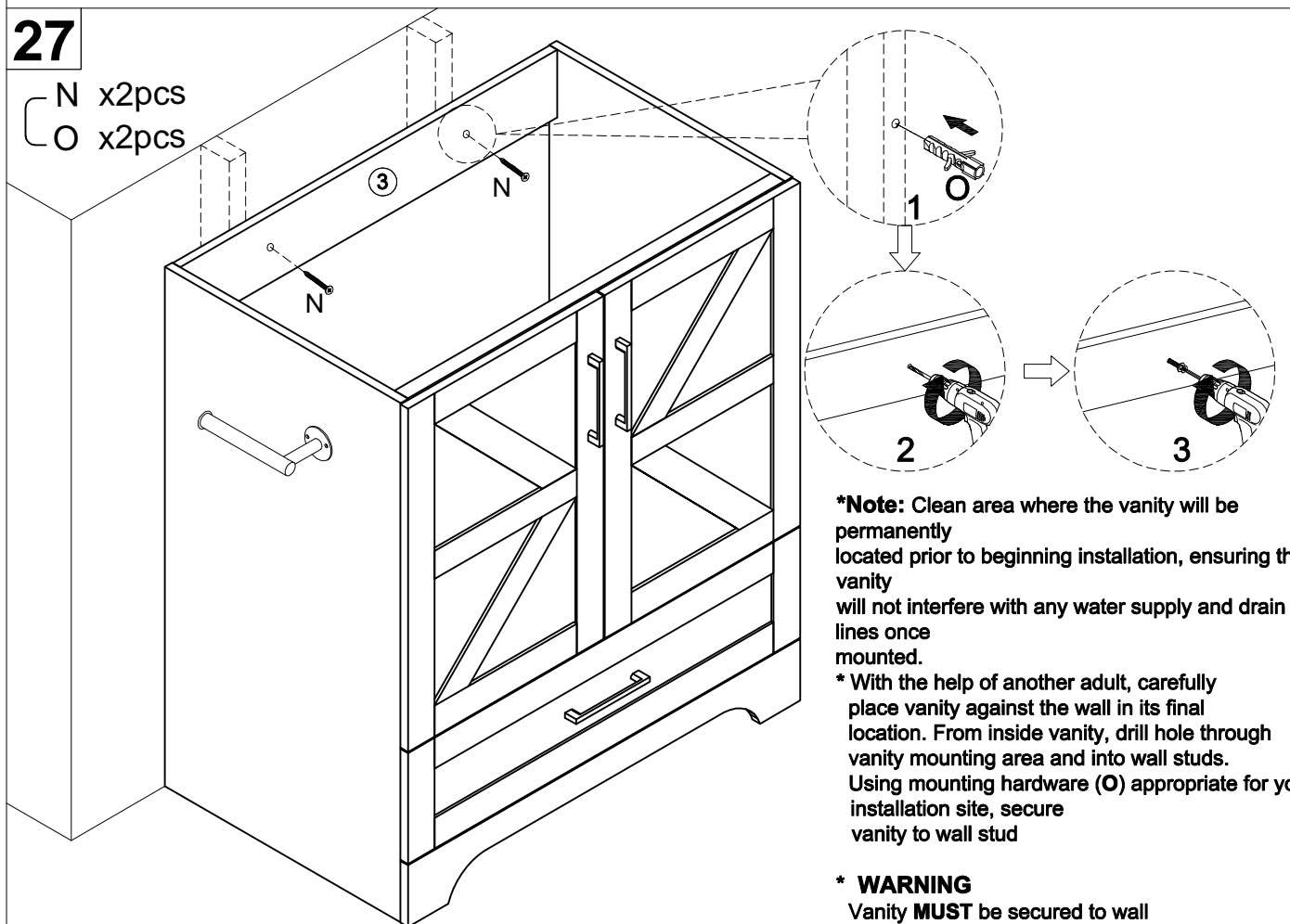
26

- K x3pcs
- L x1pc



27

- N x2pcs
- O x2pcs



Note: At this stage it may be easier to install the faucet and drain kit (not included) to top (1) per the manufacturer's instructions.

* Apply stain free silicone or latex silicone caulk (not included) to the top edge of vanity. With the help of another adult, gently lower top (1) onto the vanity. Wipe away any excess caulk with a soft cloth, and wait approximately 24 hours for it to dry.

