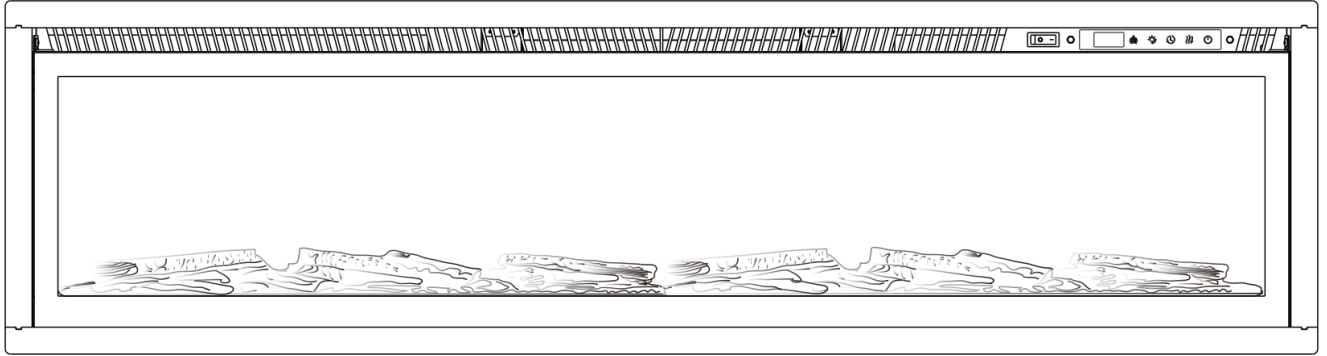


Electric Fireplace



CONSUMER SAFETY INFORMATION

- Read this manual before installing and operating this appliance.
- Failure to follow these instructions may result in electric shock, fire property, or personal injury.
- Do not store or use gasoline or other flammable liquids in the vicinity of this appliance.

**UK
CA**

IMPORTANT SAFETY INFORMATION!



WARNING



- **Read all instructions before using this heater!**
- This heater is hot **when in use**. To avoid burns, **DO NOT** let bare skin touch hot surfaces. If provided, use handles when moving this heater. Keep **combustible materials**, such as furniture, pillows, bedding, papers, clothes, and curtains at least **3 feet (0.9m)** from the front of the heater, and **keep them away from the sides and rear**.
- **Extreme caution** is necessary when any heater is used by or near children or invalids and whenever the heater is left **operating and unattended**.
- **DO NOT** operate any heater with a **damaged cord or plug** or after the **heater malfunctions**, has been **dropped** or **damaged in any manner**. Discard heater, or return to authorized service facility for examination and /or repair.
- **DO NOT** run power cord under carpeting. **DO NOT** cover power cord with throw rugs, runners, or similar coverings. **DO NOT** route power cord under furniture or appliances. Arrange power cord away from **traffic area**, and where it will not be tripped over.



WARNING



- **Connect to properly grounded outlets ONLY.**
- **DO NOT** insert or allow foreign objects to **enter any ventilation or exhaust openings**, as this may cause **electric shock** or **fire**, or **damage the heater**.
- To prevent a possible fire, **DO NOT** block air intakes or exhaust in any manner. Doing so could cause a fire. **DO NOT** use on soft surfaces, like a bed, where openings may become blocked.
- A heater has **hot and arcing or sparking parts inside**. **DO NOT** use it in areas where **gasoline, paint, or flammable liquids** are used or stored.
- **Use this heater only as described in this manual. Any other use not recommended by the manufacturer may cause fire, electric shock, or injury to persons.**
- **ALWAYS** plug heaters directly into a wall outlet/receptacle. **Never use with an extension cord or relocatable power tap (outlet/power strip).**
- **DO NOT** place the heater near a bed because objects such as pillows or blankets can fall off the bed and be ignited by the heater.
- **NEVER** use this heater in **bathrooms, laundry rooms**, or any other location where the heater could fall into a **bathtub** or **pool**, **become damp** or **come in contact with water**.
- **AVOID FIRE!** Regularly inspect all air vents to make sure they are free from dust, lint, or other Blockage. **Unplug the unit** and clean with a **vacuum ONLY**. **DO NOT** rinse or get wet.
- **ALWAYS** mount to wall bracket before use. **DO NOT** set on the floor, or other surface, to use.

- **NEVER** use a wall mount bracket from another manufacturer.
- This product is **not intended** to be a **primary heat source**. It is for **supplemental heat only**.
- **INDOOR use only! NEVER** use this heater **outdoors!** Doing so may result in **electric shock!**
- **Risk of electric shock! DO NOT OPEN!** No user-serviceable parts inside!
- **ALWAYS** turn this heater off before unplugging it from the outlet.
- **ALWAYS disconnect** this unit from the **power** supply **before** performing any assembly or cleaning, or before relocating the electric fireplace.
- **NEVER** leave this heater unattended. **ALWAYS** unplug this heater when not in use.
- **ALWAYS** store this heater in a dry location. **NEVER** use the fireplace if it has become wet.
- **NEVER** plug this heater into an outlet that is **old, cracked,** or has any **loose wires or connections**. Plugging this heater into a faulty outlet could result in **electric arcing** within the outlet that could cause the **outlet to overheat or catch fire**.
- **WARNING: In order to avoid overheating, do not cover the heater.**
- **Children of less than 3 years should be kept away unless continuously supervised.**
- **Children aged from 3 years and less than 8 years** shall only switch on/ off the appliance provided that it has been placed or installed in its intended normal position and they have been given supervision or instruction concerning use of the appliance in safe way and understand the hazards involved Children aged from 3 years and less than 8 years shall not plug in regulate and clean the appliance or perform user maintenance
- **ALWAYS check your heater cord and plug connections with each use!**
 - i) **MAKE SURE** the plug fits tight in the outlet! Faulty wall outlet connections or loose plugs can cause the outlet to overheat.
 - ii) **Heaters draw more current** than small appliances. **Overheating** may occur even if it has not occurred with the use of other appliances.
 - iii) During use **check frequently** to see if the **plug outlet or face plate** is **HOT!**
 - iv) If the outlet or face plate is **HOT, discontinue use immediately** and have a qualified electrician inspect and/or replace the faulty outlets.

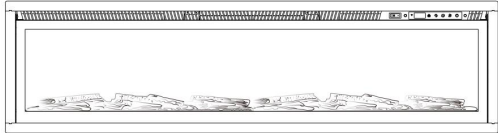




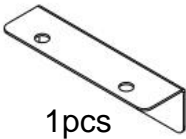
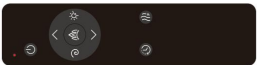



PREPARATION



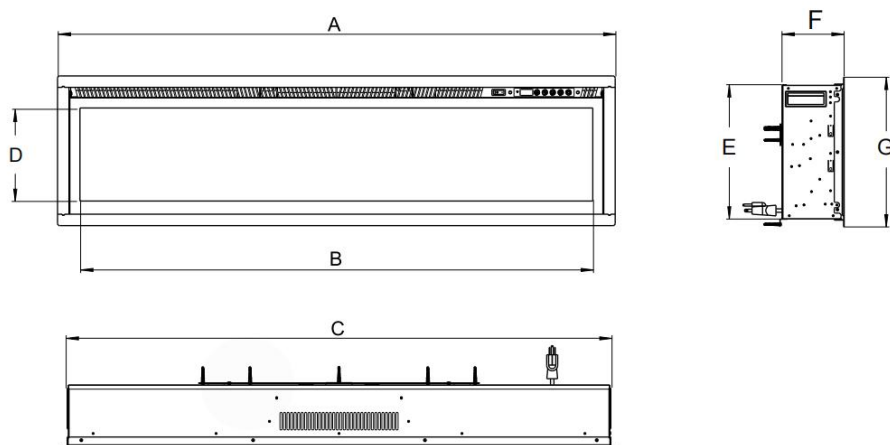
This product includes a **GLASS panel!** Always use **extreme caution** when handling **glass**. Failure to do so could result in **personal injury or property damage**.

Remove all parts and hardware from the carton and place them on a clean, soft, dry surface. Parts and assembly steps are grounded for wall-hanging or recessing use. Check the parts list to make sure nothing is missing. Dispose of packaging materials properly. Please recycle whenever possible. You will need the following tools (not included): Phillips screwdriver; stud finder; level; tape measure; electric drill; 1/4" wood drill bit, hammer.

PARTS & HARDWARE

 <p>A. Fireplace 1pcs</p>	 <p>11pcs</p>	 <p>11pcs</p>	 <p>2pcs</p>
	<p>B. Wood Screws</p>	<p>C. Wall Anchors</p>	<p>D. 4x8mm Screws</p>
	 <p>1pcs</p>	 <p>1pcs</p>	 <p>1pcs</p>
	<p>E. Wall Bracket Fixed on back of firebox</p>	<p>F. Metal Bracket</p>	<p>G. Remote Control</p>
	 <p>1pcs</p>	 <p>1bag</p>	 <p>2pcs</p>
<p>H. Log Set</p>	<p>I. Decorative Crystals</p>	<p>J. Leg</p>	

Specification and Dimension



PRODUCT DIMENSIONS

Model Number	A	B	C	D	E	F	G
1	40.0" 1016mm	36.0" 914mm	38 3/4" 984mm	8 11/32" 212mm	12 3/64" 306mm	5 37/64" 141.5mm	13 27/64" 341mm
2	50.0" 1270mm	46.0" 1168mm	48 3/4" 1238mm	8 11/32" 212mm	12 3/64" 306mm	5 37/64" 141.5mm	13 27/64" 341mm
3	60.0" 1524mm	56.0" 1422mm	58 3/4" 1492mm	8 11/32" 212mm	12 3/64" 306mm	5 37/64" 141.5mm	13 27/64" 341mm

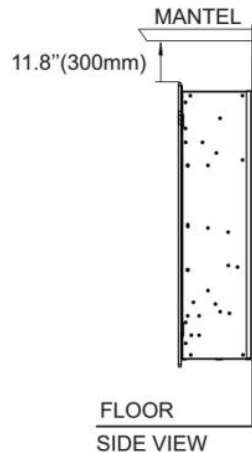
Installation and Assembly

Your appliance is a wall-mounted, recessed and /or mantel installed appliance. Select a suitable location that is not susceptible to moisture and is away from drapes, furniture and high traffic areas.

NOTE: Follow all national and local electrical codes.

MINIMUM CLEARANCE TO COMBUSTIBLES

Measurements are taken from the glass front.			
Bottom	0"	Top	11.8" (300mm) to mantel
Sides	0"	Top	11.8" (300mm) to ceiling
Back	0"		



MINIMUM MANTEL CLEARANCES

WARNING

WHEN USING PAINT OR LACQUER TO FINISH THE MANTEL, THE PAINT OR LACQUER MUST BE HEAT RESISTANT TO PREVENT DISCOLOURATION

RECESSED TO WALL INSTALLATION (Tips:Wall bracket removing is **NOT** required.)

STEP 1 Select a dry wall to open a hole for fireplace box. **Figure (A)**

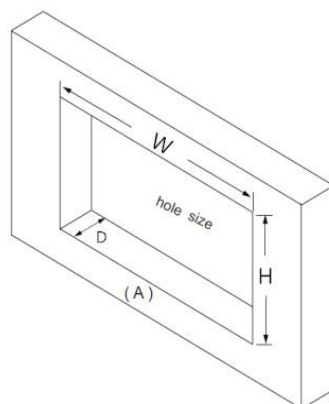


Figure (A)

Size of hole as below chat-Framing Hole Size

Framing Hole Size			
Model Number	W	H	D
1	39.1"(99.2cm)	12.72"(32.3cm)	5.98"(15.2cm)
2	49.1"(124.6cm)	12.72"(32.3cm)	5.98"(15.2cm)
3	59.1"(150.0cm)	12.72"(32.3cm)	5.98"(15.2cm)

STEP 2 Remove two screws on both sides of the fireplace at front corner. **Figure (C)**

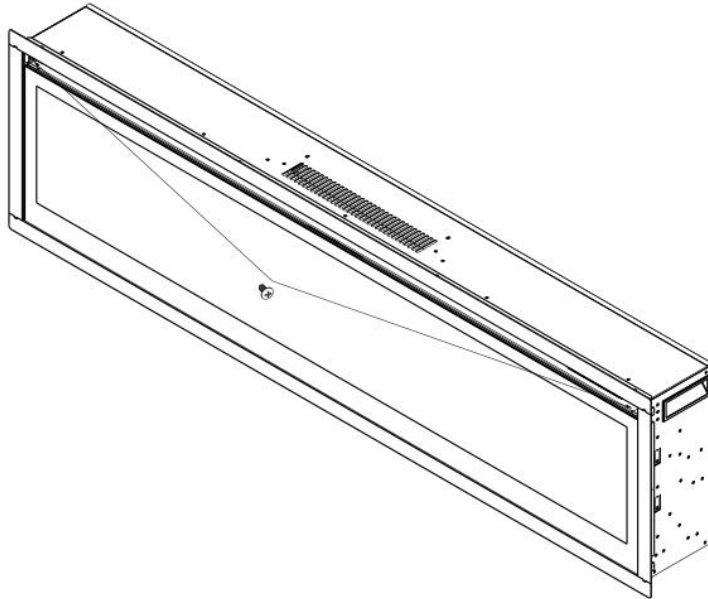


Figure (C)

STEP 3 Take off the front tempered glass of the fireplace. **Figure (D)**

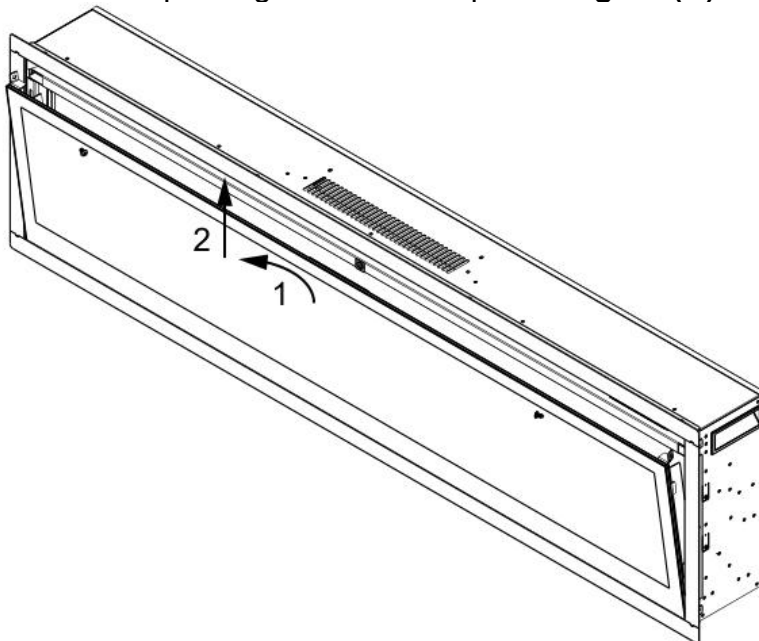


Figure (D)

STEP 4 Take foam out of the fireplace. **Figure (E)**

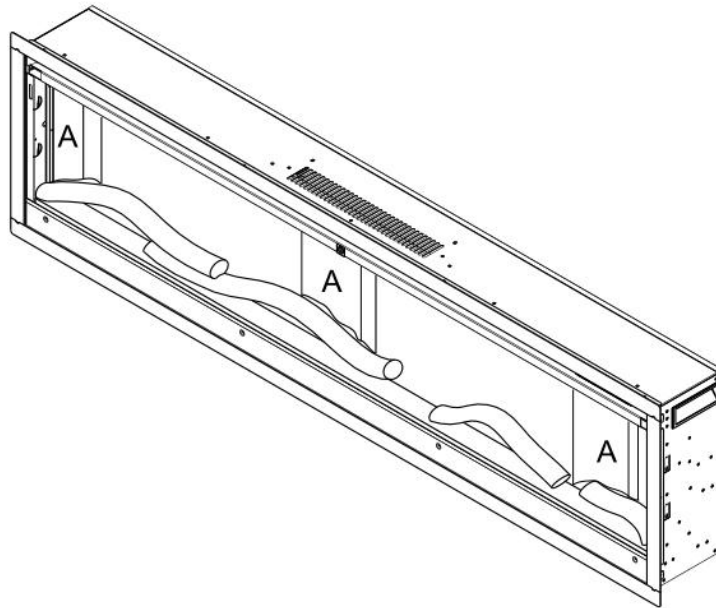


Figure (E)

STEP 5 Have two people to move the fireplace box to the wall hole or fireplace mantel. **Figure(F)**
If the appliance is fully recessed into the wall:

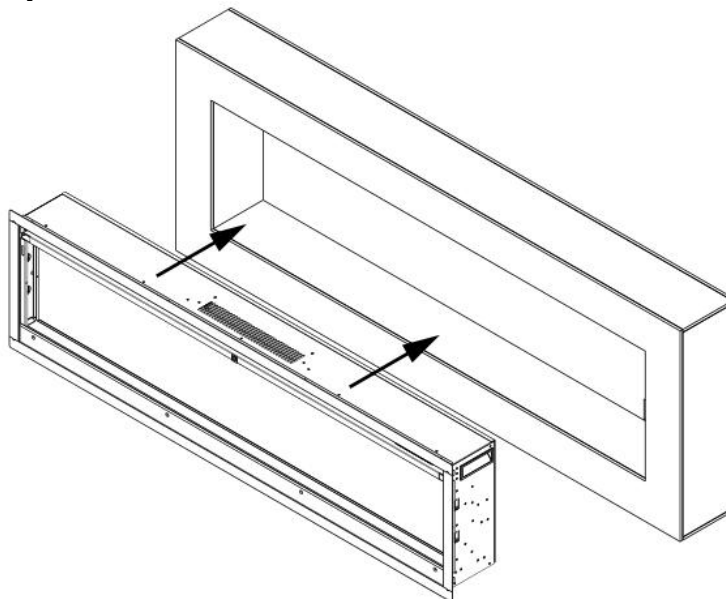
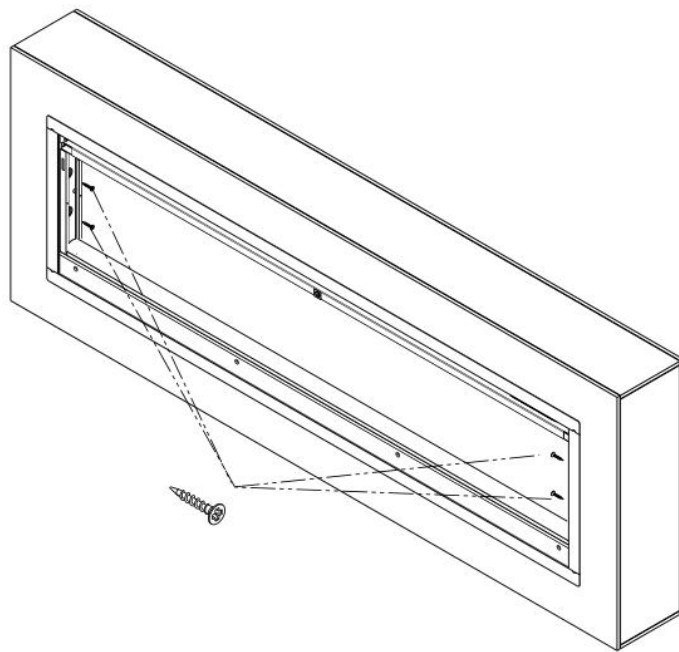


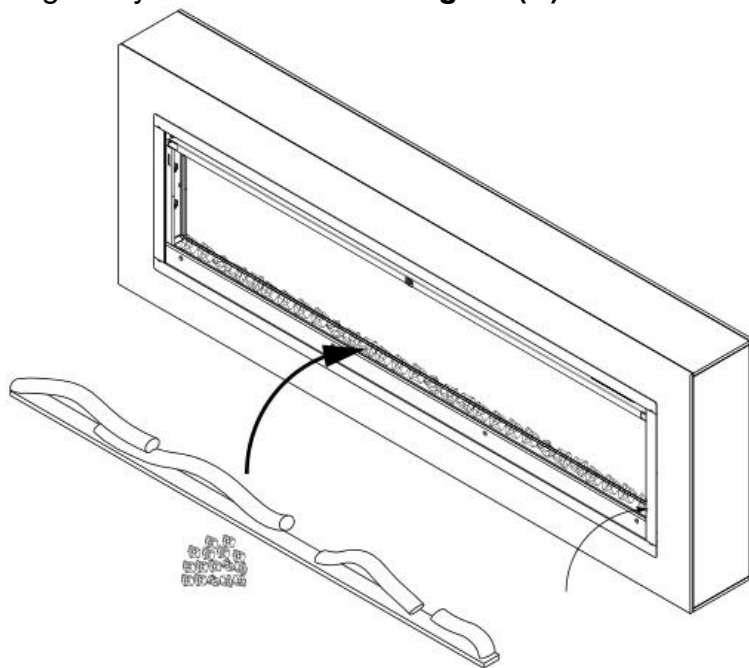
Figure (F)

- Use the 4 screws(provided) to lock the appliance into wall with the existing two side flanges, **Figure(G)**



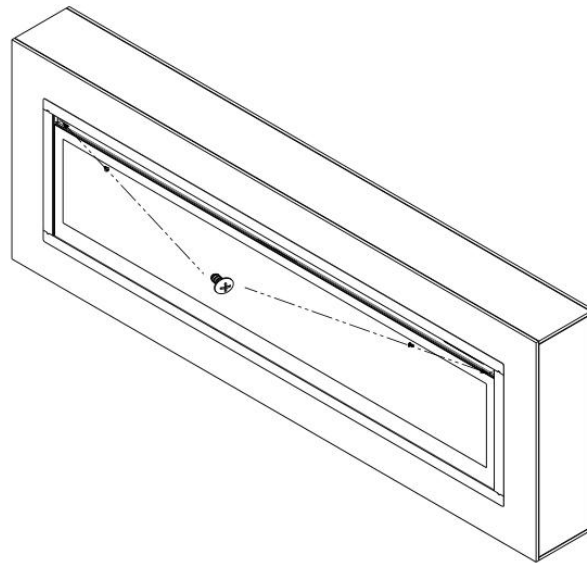
Figure(G)

STEP 6 Put carbon log or crystal stone to bed. **Figure (H)**



Figure(H)

STEP 7 Place the front panel lock the appliance. **Figure (I)**



Figure(I)

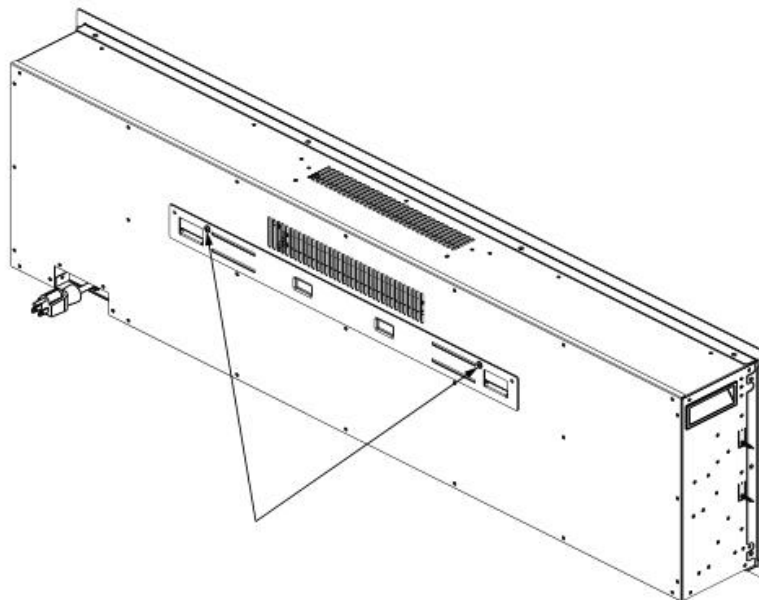
WALL MOUNTED INSTALLATION

Due to many different materials used on different walls, it is highly recommended that you consult your local builder before you install this appliance on the wall.

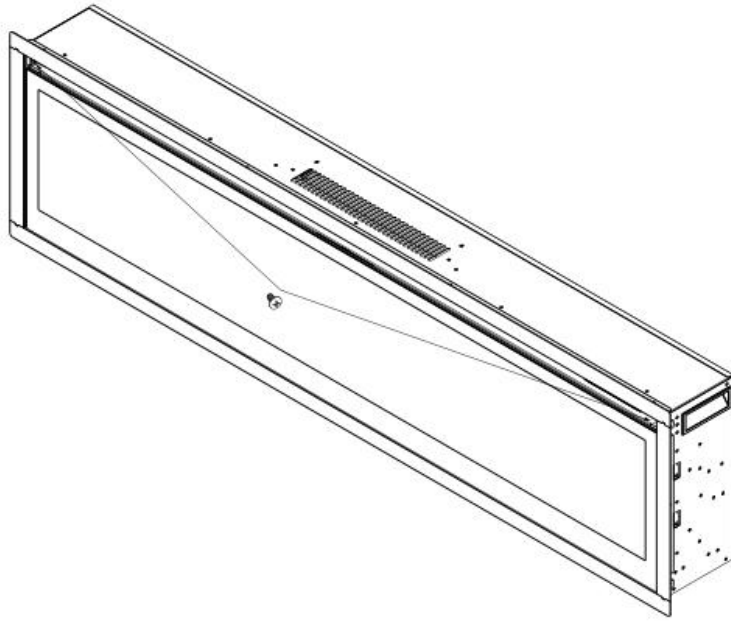
STEP 1 Select a location that is not prone to moisture and is located at least 36"(914mm) away from combustible materials such as curtain drapes, furniture, bedding, paper, etc.

STEP 2 Have two people hold the appliance against the wall to determine the final location.

STEP 3 Place unit face down on a soft, non abrasive surface. Remove the bracket from the back of the unit by removing the screws. **Figure(a)** Remove four pieces of silver screws on both sides. **Figure(b)**



Figure(a)



Figure(b)

STEP 4 Take the glass panel out of the fireplace box. Place it in a soft and clean place. **Figure (c)**

STEP 5 Take foam(A) out of the fireplace. **Figure(d)**

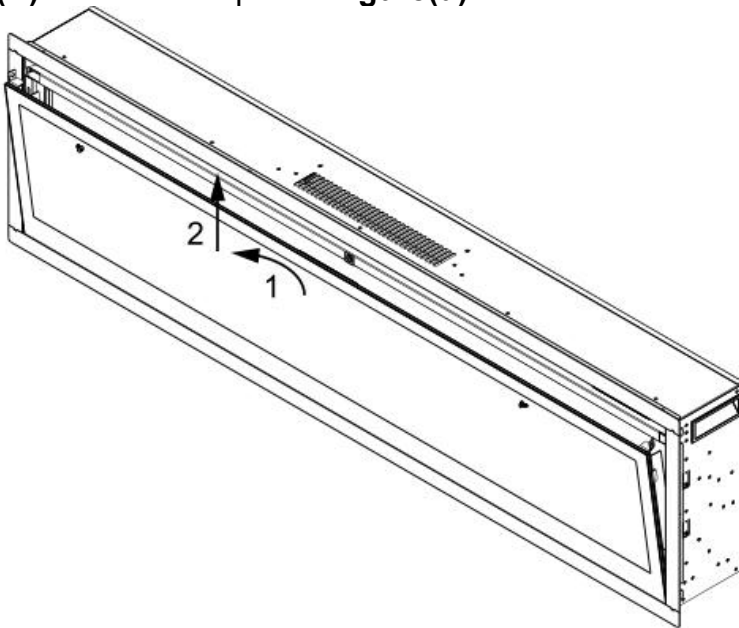


Figure (c)

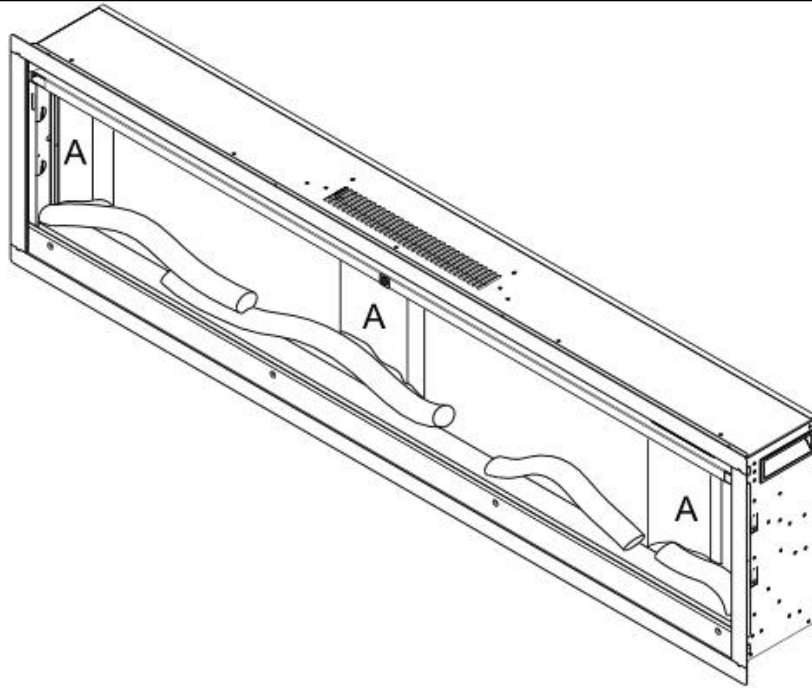
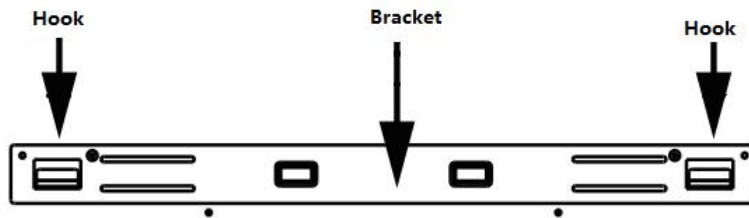


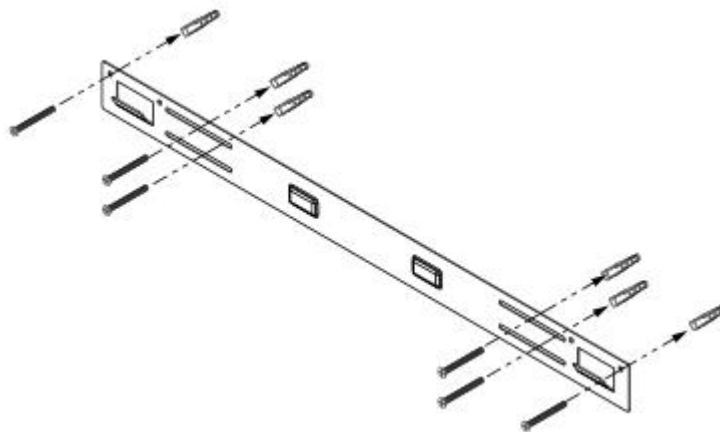
Figure (d)

STEP 6 Mark out location, then mount the bracket(part e) onto the wall using the supplied screws. This bracket **MUST** have the hooks facing upward and be level. **Figure(e)**



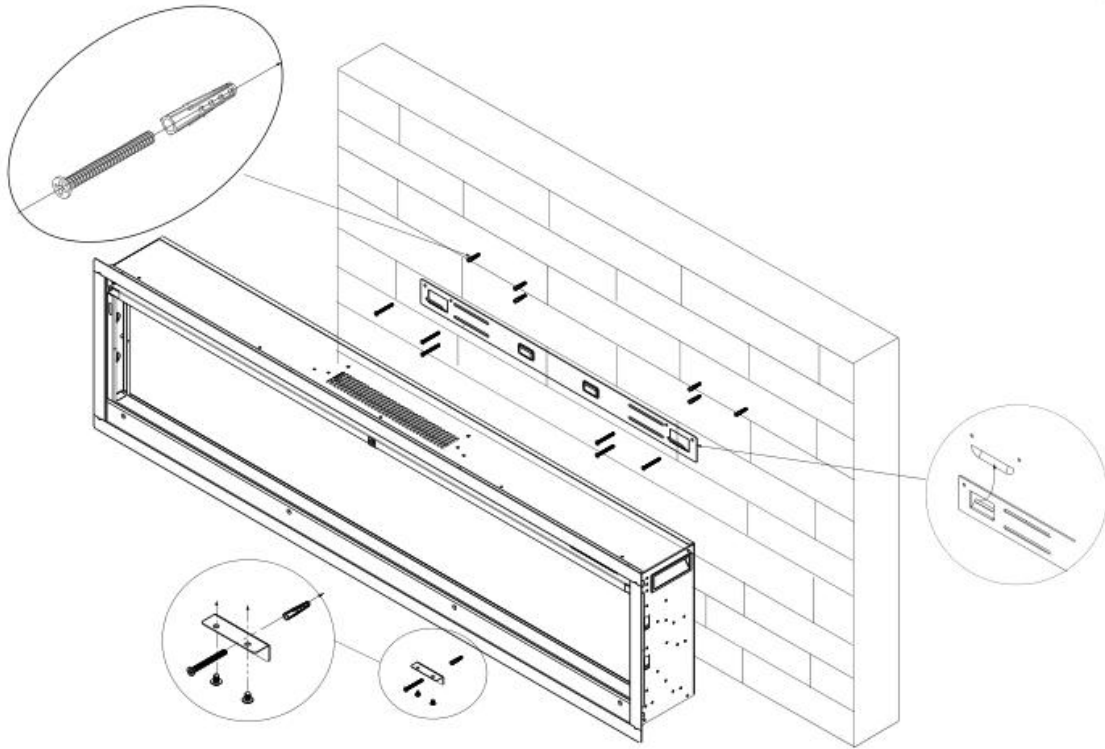
Figure(e)

NOTE: It is strongly recommended that the mounting bracket(part e) be screwed into the wall studs where possible. If the wall studs cannot be used, ensure that the supplied plastic anchors are used to affix the bracket to the wall and the bracket is adequately secured. **Figure(f)**



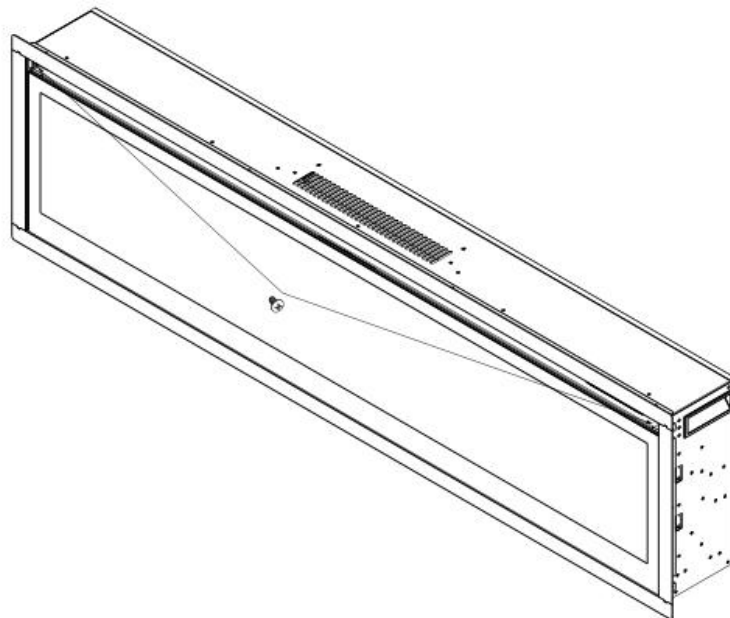
Figure(f)

Fasten the metal bracket (F) at the back of fireplace with 2pcs of 4x8mm screws, the other end to the wall with 1pc of drywall anchors.



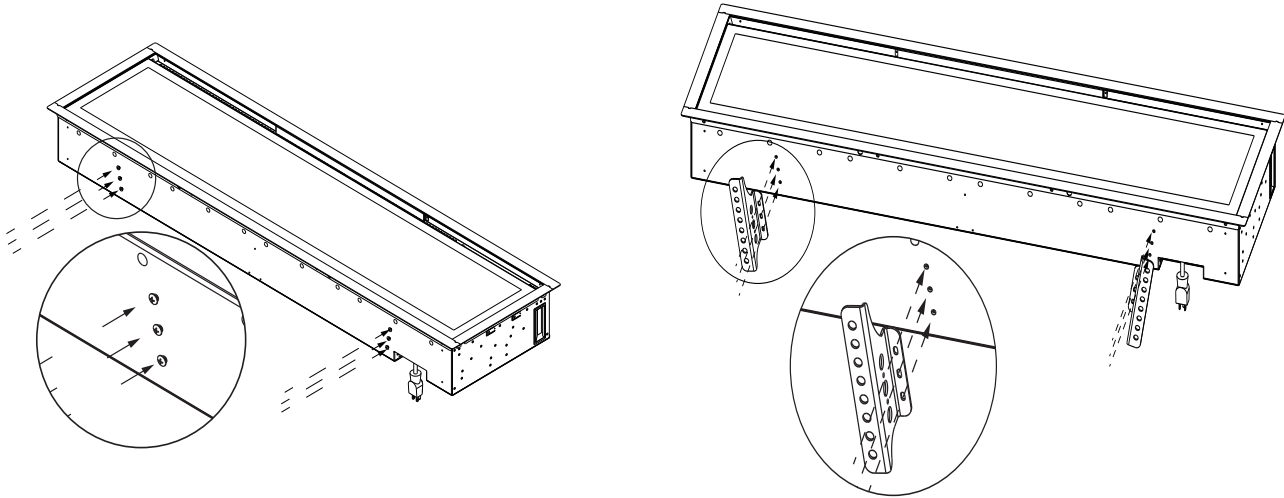
STEP 7 With the wall mounting bracket installed have two people lift the appliance up and insert the two hooks on the bracket into the two slots on the back of the appliance.

STEP 8 Put carbon log or crystal stone to bed, place the front panel lock the appliance by 4x8mm screws.



Free Standing Option

- Lay the heater on the floor or a table
- Install the base with 6pcs screws (screws is on the bottom of the fireplace, unscrew first) as provided



LOG-SET/CRYSTAL EMBER INSTALLATION

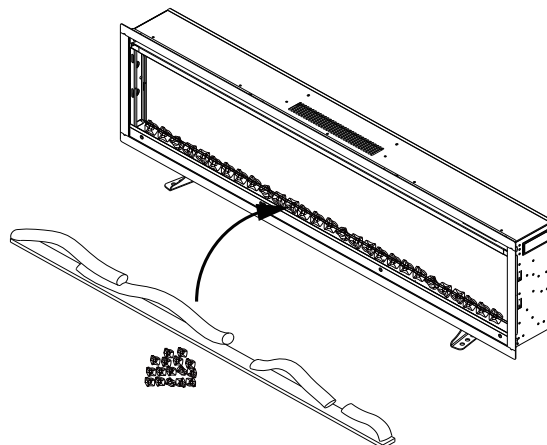
(Note: Please make the installation according to the embers which you bought or selected.)

* Glass front must be removed and the appliance must be mounted in its final location before the log-set/crystal embers are installed.

* If your fireplace come with log-set, remove the log-set from the package, put it to the fireplace designed place. **Figure 1**

* If your fireplace come with CLEAN CRYSTAL MEDIA: crystal may have a fine oil residue that needs to be cleaned prior to installation. Clean them with mild dish soap, drain, rinse thoroughly and dry before placing into the tray.

* Then place the crystal embers carefully into the bottom tray on the front of the appliance as illustrated. Apply an even layer from side to side. **Figure 1**



WARNING



Read and understand this entire owner's manual, including all safety information, before plugging in or using this product. Failure to do so could result in electric shock, fire, serious injury, or death.

POWER

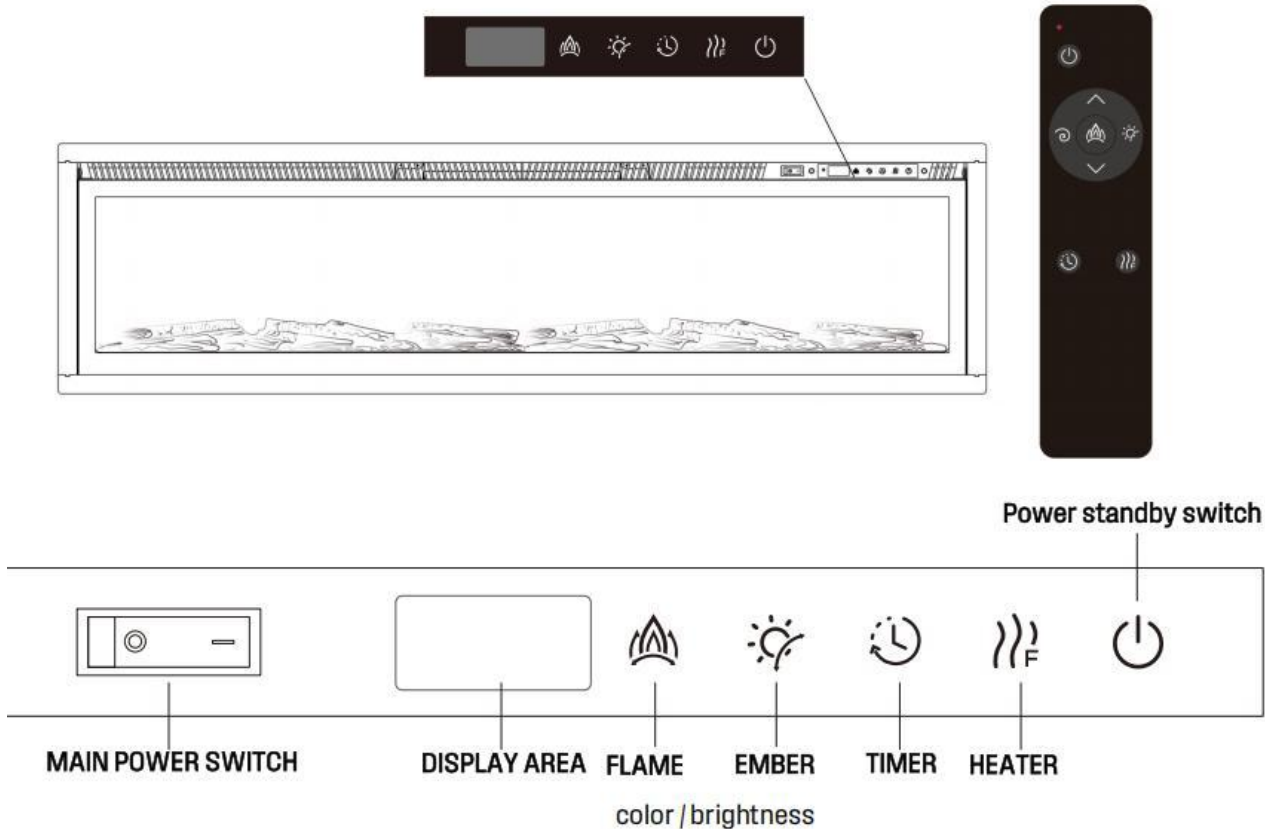
Make sure the ON/OFF switch, located on the control panel, is in the OFF position. Plug the power cord into a 220-240 Volt 7 Amp grounded outlet (see IMPORTANT SAFETY INFORMATION on Pages 2 and 3). Make sure the outlet is in good condition and that the plug is not loose. NEVER exceed the maximum amperage for the circuit. DO NOT plug other appliances into the same circuit.

METHODS OF OPERATION

This electric fireplace can be operated by the button, located on the TOP right side glass panel of the fireplace, or by the battery-powered REMOTE CONTROL.


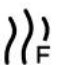






The operation and functions of the two methods are the same.

Before operating, please review the IMPORTANT SAFETY INFORMATION on Pages 2 and 3, and heed all warnings.

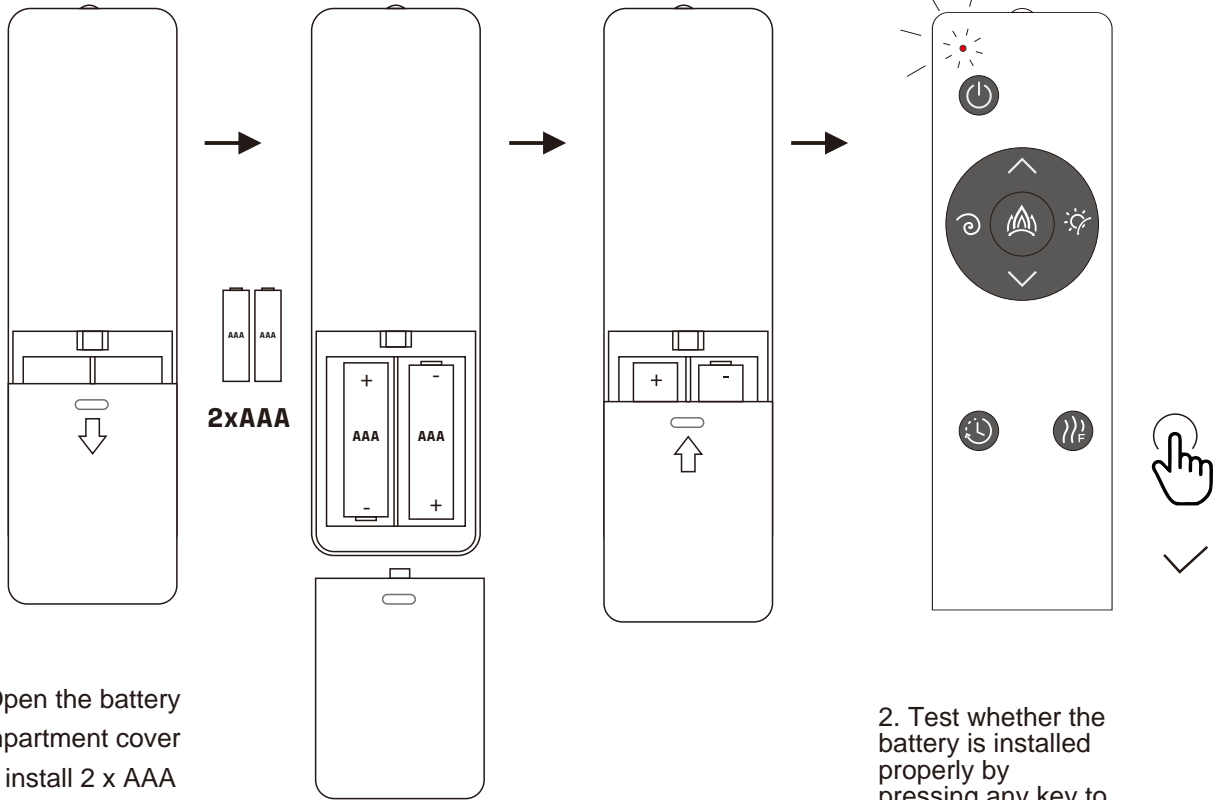


NOTE: The touch control panel will automatically turn off after a few seconds when not in use. This is a normal energy-saving feature.

Turn on switch button first

BUTTON	FUNCTION	ACTION&INDICATION
 POWER	ON: Enables control panel functions and remote control. Turns on flame effect. OFF: Disables control panel functions and remote control. Turns off flame effect.	1. Press once. Indicator light turns on. Power turns on. All functions enabled. 2. Press again. Indicator light turns off. Power turns off. All functions turn off.
 HEATER	HEATER button: Turns heater on and off. NOTE: To prevent overheating, the heater fan will blow out cool air for 30 seconds after the heater turns off. TEMPERATURE button: Controls temperature settings to choose desired temperature. Settings range from 18° C to 28° C.	1. Press once. Indicator lights up (LOF). 900W heater turns on and blows out warm air. 2. Press again. Indicator lights up (HIF). 1800W heater turns on and blows hot air. 3. Press again. Smart 25° C . 4. Press again. Heaters turn off. The display shows “OFF” . 5. Hold button for 3 seconds to start temperature control mode. The temperature can be set to between 18° C and 28° C.
 TIMER	TIMER button: Controls timer settings to turn off fireplace at selected time. Settings range from 0 hours to 24 hours.	1. Press once. Indicator light turns on. 2. Press again until desired setting is reached (0 – 24 h). LED display shows setting. 3. Hold button for 3 seconds to set between 0 and 24 hours.
 EMBER	EMBER button: Makes the ember bed color effect change. Makes the ember bed effect dimmer and brighter.	1. Press once. Ember bed color effect changes (12 colors). 2. Press again until desired setting is reached. 3. Hold button for 3 seconds to make the ember bed effect dimmer and brighter (L5 – L1).
 FLAME	FLAME button: Makes the flame color effect change. Makes the flame effect dimmer and brighter.	1. Press once. Flame color effect changes (12 colors). 2. Press again until desired setting is reached. When color is set to F00, the flame color and ember color will automatically change. 3. Hold button for 3 seconds to make the flame effect dimmer and brighter (L5 – L1).
 UP	UP button: Flame & ember bed color/Dimmer and brighter/Timer/Flame speed/Temperature	Flame & ember bed color/Dimmer and brighter/Timer/Flame speed/Temperature.
 DOWN	DOWN button: Flame & ember bed color/Dimmer and brighter/Timer/Flame speed/Temperature	Flame & ember bed color/Dimmer and brighter/Timer/Flame speed/Temperature.
 SPEED	FLAME SPEED button: Sets the flame speed (S5 – S1).	Sets the flame speed (S5 – S1).

Remote Control



1. Open the battery compartment cover and install 2 x AAA batteries.

2. Test whether the battery is installed properly by pressing any key to observe whether the indicator light is on.

NOTICE 1

When the heater is first turned on, a slight odor may be present. This is normal and should not occur again unless the heater is not used for a long period of time.

NOTICE 2

To improve operation, aim the remote control at the front of the fireplace. **DO NOT** press the buttons too quickly. Give the unit time to respond to each command.

Temperature Limiting Control

This heater is equipped with a Temperature Limiting Control. Should the heater reach an unsafe temperature, the heater will automatically turn OFF. To reset:

1. Unplug the power cord from the outlet.
2. Turn the ON/OFF switch on the CONTROL PANEL to OFF. Wait 5 minutes.
3. Inspect the fireplace to make sure no vents are blocked, or clogged with dust or lint. If there are, use a vacuum to clean the vent areas.
4. With the POWER switch in the OFF position, plug the power cord back into the outlet.
5. If the problem continues, have your outlet and wiring inspected by a professional.

NOTE: Remote control battery used depends on the remote control type which selected above.



NEVER dispose of batteries in fire. Failure to observe this precaution may result in an explosion.

Dispose of batteries at your local hazardous material processing center.

CARE AND MAINTENANCE

Cleaning



ALWAYS turn the heater **OFF** and **unplug the power cord from the outlet** before cleaning, performing maintenance, or moving this fireplace. Failure to do so could result in **electric shock, fire, or personal injury**.



NEVER immerse in water or spray with water. Doing so could result in electric shock, fire, or personal injury.

Metal:

- Buff using a soft cloth, slightly dampened with a citrus oil-based product.
- **DO NOT** use brass polish or household cleaners as these products will damage the metal trim.



Glass:

- Use a good quality glass cleaner and dry thoroughly with a paper towel or lint-free cloth.
- **NEVER** use abrasive cleansers, liquid sprays, or any cleaner that could scratch the surface.

Vents:

- Use a vacuum or duster to remove dust and dirt from the heater and vent areas.
- Clean the exterior of the fireplace with a slightly damp cloth or duster.

Maintenance


	Risk of electric shock! DO NOT OPEN! No user-serviceable parts inside!
	ALWAYS turn the heater OFF and unplug the power cord from the outlet before cleaning, performing maintenance, or moving this fireplace. Failure to do so could result in electric shock, fire, or personal injury.

Electrical and Moving Parts:

- The fan motors are lubricated at the factory and will not require lubrication.
- Electrical components are integrated in the fireplace and are not serviceable by the consumer.

Storage:

- Store heater in a clean dry place when not in use.

	WARNING! No other servicing should be performed by the consumer. Do not attempt to service the unit yourself.
---	--

Troubleshooting

 WARNING		
DISCONNECT THE APPLIANCE COMPLETELY AND LET COOL PRIOR TO ANY SERVICE. ONLY A QUALIFIED SERVICE PERSON SHOULD SERVICE AND REPAIR THIS ELECTRIC APPLIANCE.		

PROBLEM	POSSIBLE CAUSE	SOLUTION
Fireplace turns off and will not turn on.	1. Fireplace has overheated and safety devise has caused thermal switch to disconnect or home circuit breaker has opened.	1. Reset switch by turning main power off and waiting turning it back on or breaker circuit breaker.

<p>Flame is not moving.</p>	<ol style="list-style-type: none"> 1. Loose wiring. 2. Flame motor defective. 3. Flame rod out of place. 	<ol style="list-style-type: none"> 1. Inspect wiring for loose connections. 2. Call a qualified service technician to replace flame motor. 3. "Flame Rod" out of place due to rough transit/handing of the product. This issue can be corrected as simple as removing the glass, flipping the fireplace upside and down, removing a set of screws that are holding the bottom frame plate and placing the flame rod back into place.
<p>Flame is not visible.</p>	<ol style="list-style-type: none"> 1. Wiring is loose. 	<ol style="list-style-type: none"> 1. Disconnect from power source and inspect wiring for loose connections and repair or replace if necessary. 2. Push the flame button to high.
<p>Log set and /or is not glowing.</p>	<ol style="list-style-type: none"> 1. Wiring is loose. 2. Ember is off mode. 	<ol style="list-style-type: none"> 1. Disconnect from power source and inspect wiring for loose connections and repair or replace if necessary.
<p>Remote control does not work.</p>	<ol style="list-style-type: none"> 1. Low batteries. 2. Not aiming control correctly. 3. Defective remote control and /or sensor. 	<ol style="list-style-type: none"> 1. Replace batteries in remote control. 2. Aim control at sensor located directly behind glass screen in center of unit just above logs. 3. Replace remote control and/or sensor.