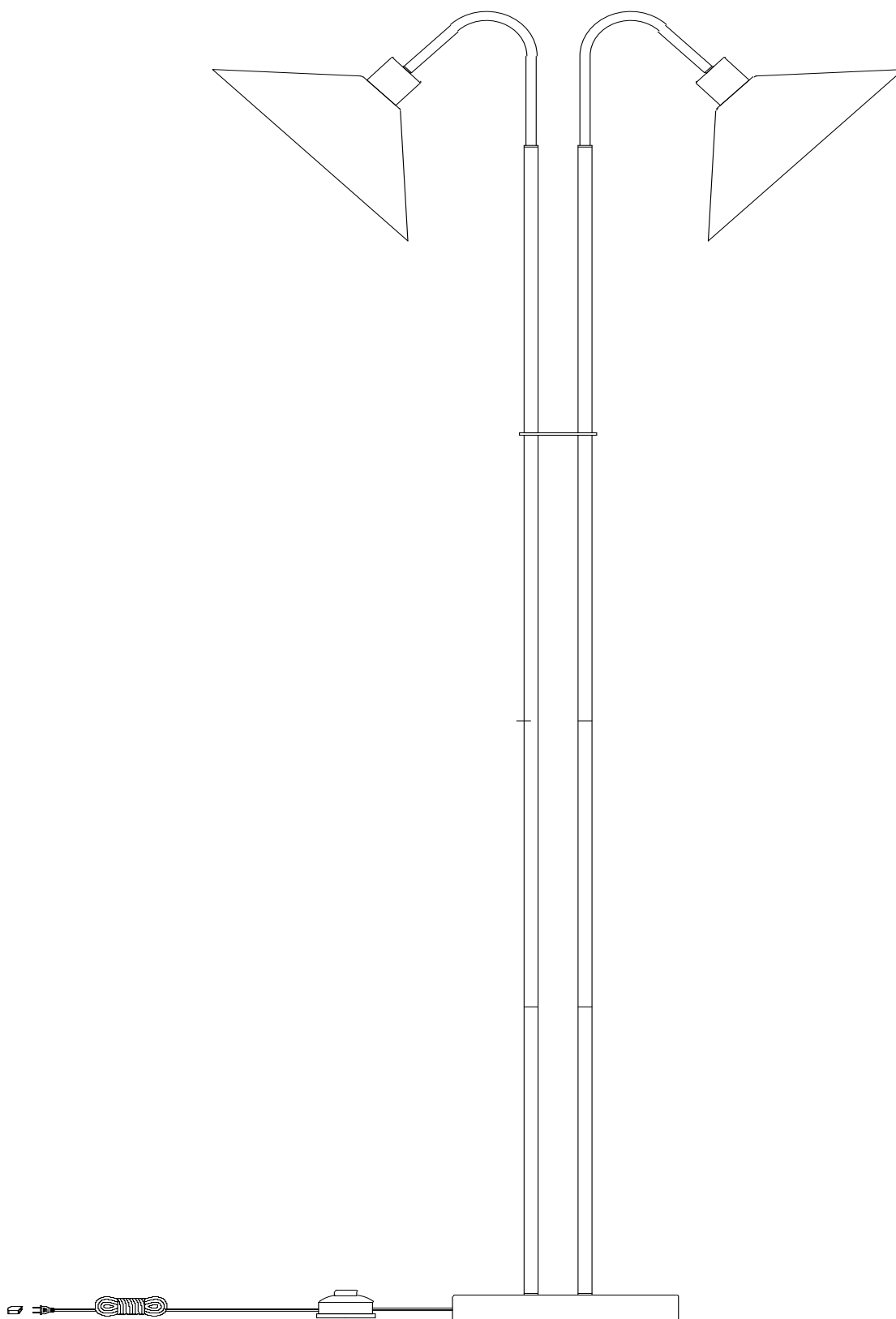
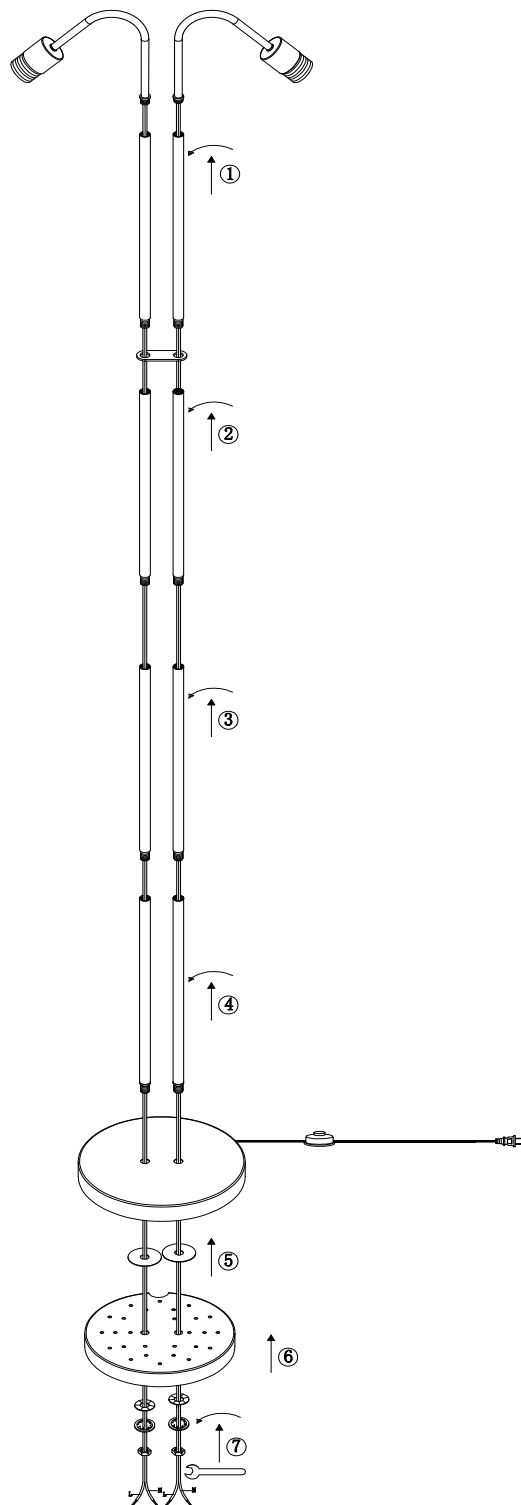


TABLE LAMP ITEM
Assembly Instructions



STEP 1

Assemble the object according to the steps shown, fix the thread connection with the tool, and pay attention to the finished direction of the lamp body.



STEP 2

1 : Connect the wire to the corresponding connector card by following the instructions in step 8 ;

2 : Fix the lampshade on the lamp body according to the method shown, and install the bulb.

