
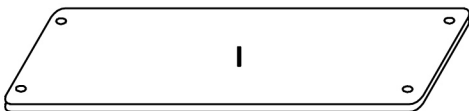

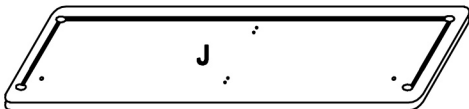

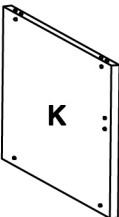
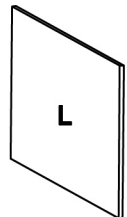

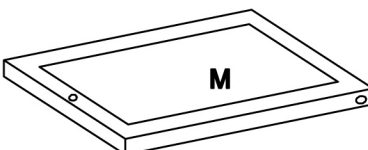










# TV STAND WITH TWO CABINETS

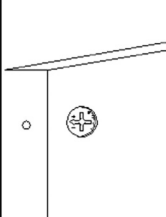
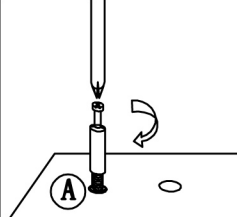
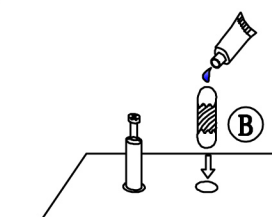
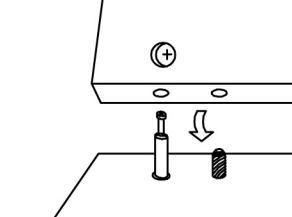
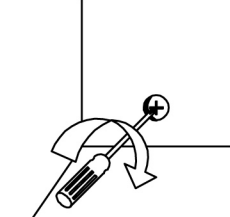


## Assembly Instructions

We have designed our furniture with you, the customer in mind. Our clear, easy to follow, step by step instructions will guide you through the project from start to finish. Feel confident that this will be a fun and rewarding project. The final product will be a quality piece of furniture that will go together smoothly and give years of enjoyment.

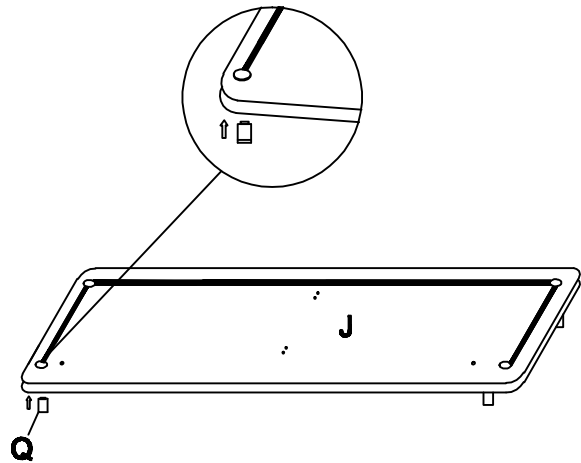
Hardware List	Panel List		
<p>(A) </p>	<p></p> <p><b>Top Panel (2pcs)</b></p>		
<p><b>Cam dowel (4pcs)</b></p>			
<p>(B) </p>	<p></p> <p><b>Bottom Panel (2pcs)</b></p>		
<p><b>Wood dowel (4pcs)</b></p>			
<p>(C) </p>	<p> </p> <p><b>Middle Divider (1pc)</b>      <b>Side Panel (2pcs)</b></p>		
<p><b>Knob (2pcs)</b></p>			
<p>(D) </p>	<p></p> <p><b>Plastic Doors (2pcs)</b></p>		
<p><b>Door Inserts (4pcs)</b></p>			
<p>(E) </p>	<p> </p> <p><b>Metal Tubes (12pcs)</b>      <b>End Caps (4pcs)</b></p>		
<p><b>Magnets (2pcs)</b></p>			
<p>(F) </p>	<p></p> <p><b>Back Panel (1pc)</b></p>		
<p><b>Knob Brackets (2pcs)</b></p>			
<p>(G) </p>	<p></p> <p><b>Foot (4pcs)</b></p>		
<p><b>Knob Screws (2pcs)</b></p>			
<p>(H) </p>			
<p><b>Glue (1pc)</b></p>			

### Assembling the unit with cam and wood dowels.

				
<p><b>Camlock arrow must fack bolt hole.</b></p>	<p><b>Gently screw cam dowel into the threaded anchor.</b></p>	<p><b>Lightly glue one end of the wood dowel and tap halfway into hole.</b></p>	<p><b>Lightly glue wood dowel and connect to second panel by inserting dowels into holes.</b></p>	<p><b>Screw the camlock firmly into locked position.</b></p>

## step 1

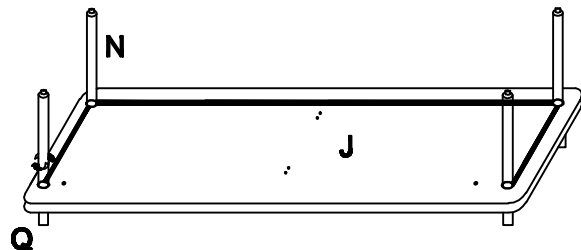
(1) Place bottom panel (J) with groove side up on top of the four black plastic feet (Q).



## step 2

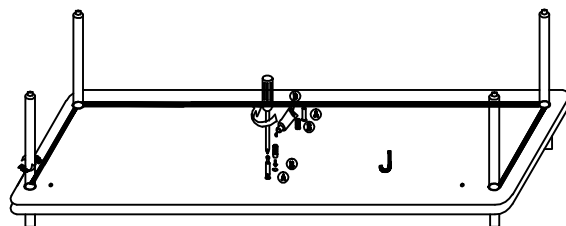
(1) Gently screw poles (N) into plastic feet (Q), using care not to overtighten.

\* CAUTION: Do not overtighten poles.



## step 3

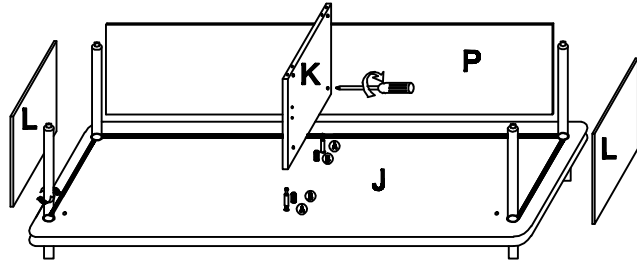
(1) Attach dowel hardware to bottom panel (J).  
Apply glue to wood dowels.



\* Refer to page 2 for dowel assembly

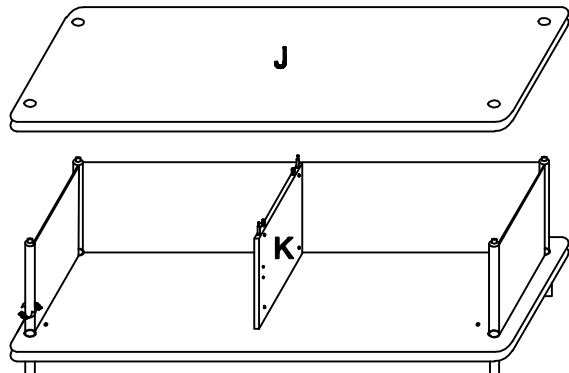
## step 4

- (1) Attach middle divider (K) to bottom panel (J), tighten camlocks.
- (2) Insert side panels (L) and back panel (P) into grooves of bottom panel (J).



## step 5

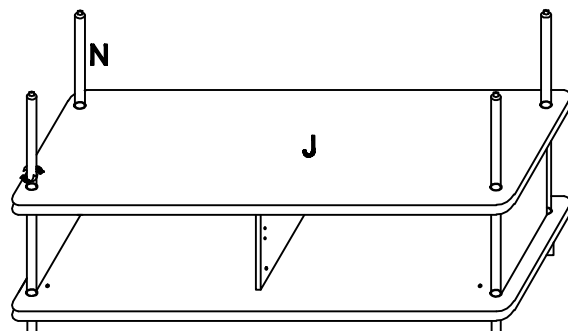
- (1) Place dowels hardware into top of middle divider (K).
- (2) Carefully place the second bottom panel (J) upside down and on top of assembly, making sure the panels fit into the grooves.
- (3) Tighten camlocks.



## step 6

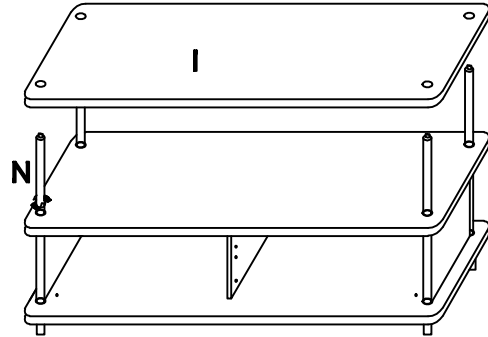
- (1) Gently screw poles (N) into second bottom panel (J).

\* Do not overtighten poles.



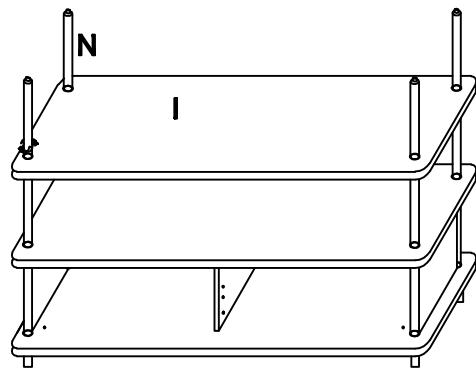
## step 7

(1) Carefully place top panel (I) over the four poles (N).



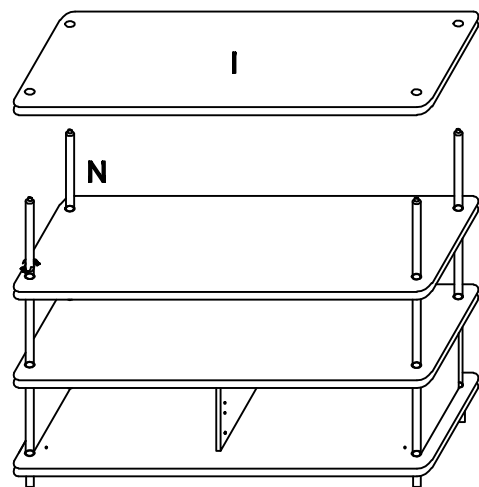
## step 8

(1) Gently screw poles (N) into top panel (I).



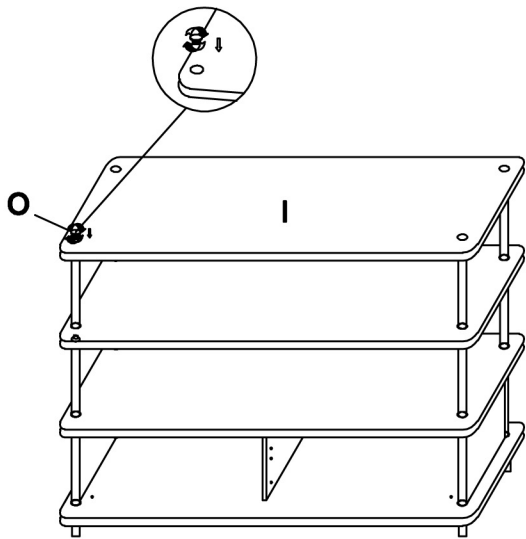
## step 9

(1) Carefully place the top panel (I) over the four poles (N).



## step 10

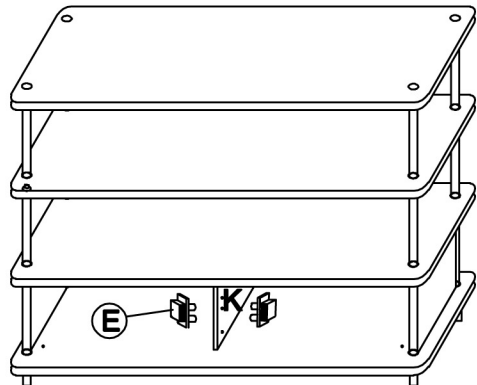
(1) Attach end caps (O) to unit by turning in a clockwise direction.



## step 11

(1) Attach magnets (E) to the divider (K) by inserting into pre-drilled holes.

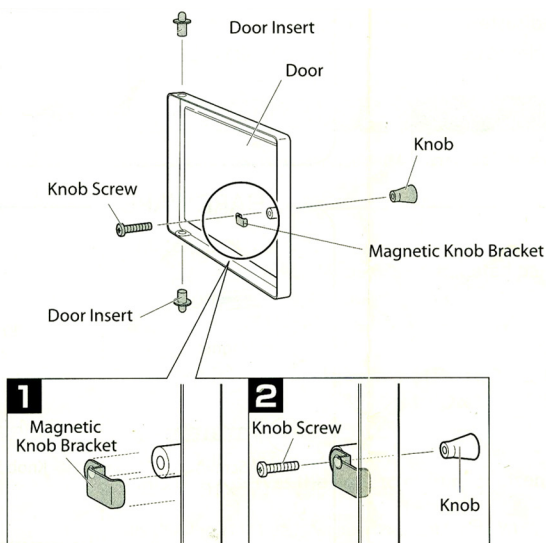
\* Magnets face front.



## step 12

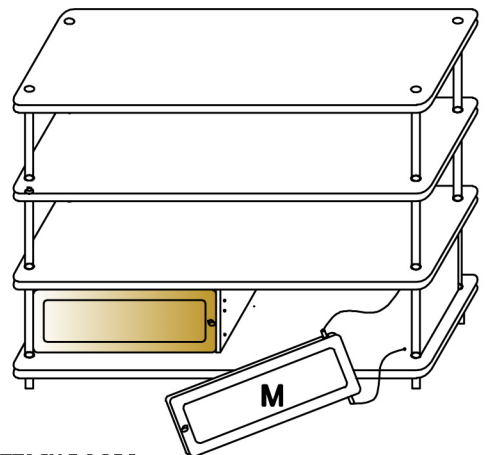
Doors (M) assembly.

- (1) Attach knob (C) to door (M) using knob bracket (F) and knob screw (G).
- (2) Place spring loaded door inserts (D) into holes of the door (M).



## step 13

(1) Attach doors (M) to unit.



### TO ATTACH DOORS

Push door insert down. Align with pre-drilled hole in unit. Release.

