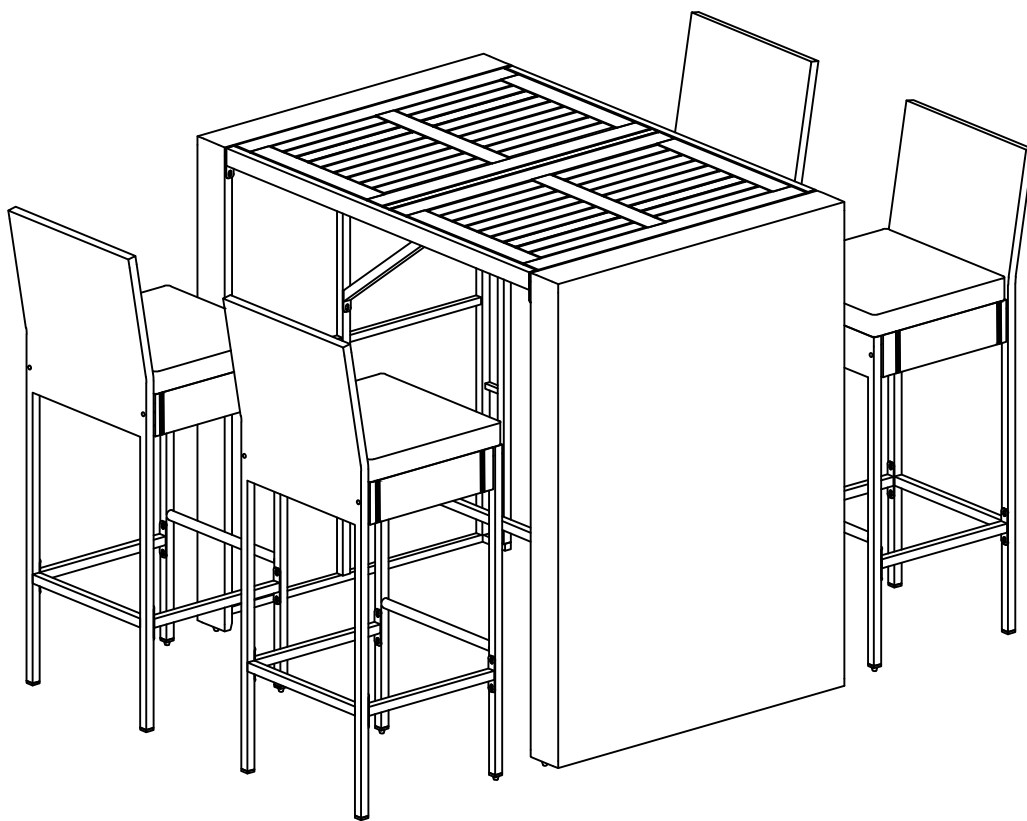
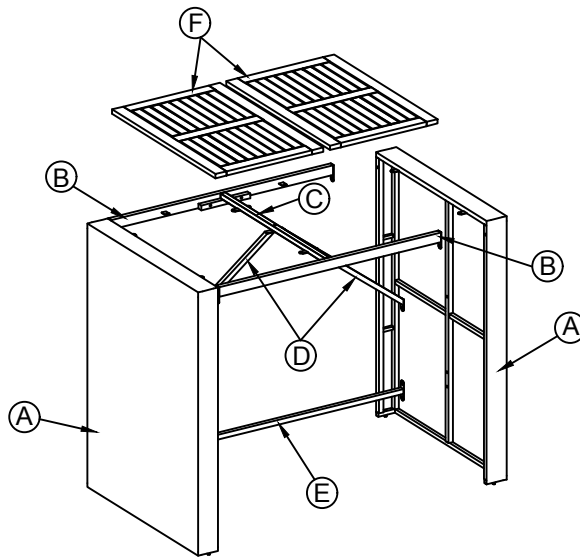


ASSEMBLY INSTRUCTION

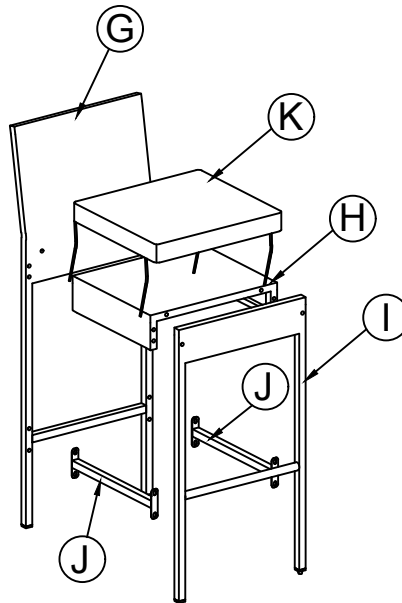
BAR SET



x1



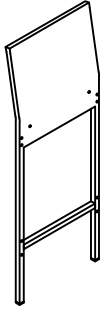
x4



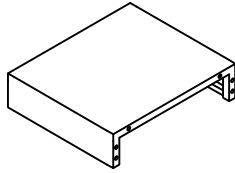
NOTE:

1. **50% Tighten before fixing all screws, Allen wrench is recommended instead of an electric drill.**
2. **Place the item on a flat ground to adjust and make sure it remains stable.**
3. **Tighten up all screw with tools gradually.**
4. **If screw are not aligned with holes during assembly, please loosen all the other screws to 50% and continue the assembly process.**
5. **If the item is not stable, please loosen all screws, adjust it on a flat ground and tighten up all screws again.**
6. **Note: If one or some screws are fully tighten during assembly, chances are the others will not be aligned with holes. In addition, all the holes are designed to be relatively larger to provide more space for the adjustment of the screws.**

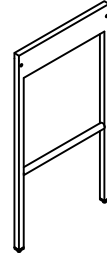
CARTON CONTENT:



(G) X4



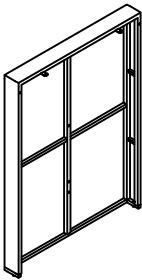
(H) X2



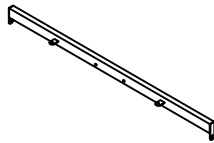
(I) X2



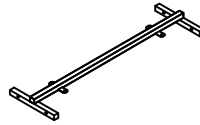
HARDWARE



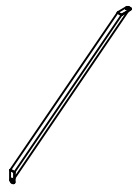
(A) X2



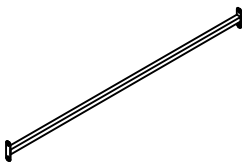
(B) X2



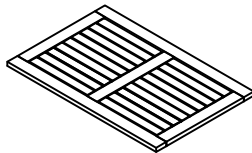
(C) X1



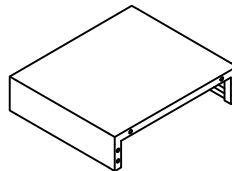
(D) X2



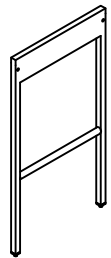
(E) X1



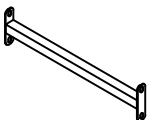
(F) X2



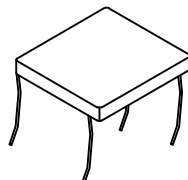
(H) X2



(I) X2

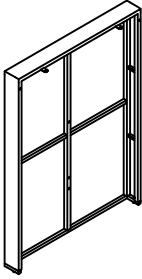
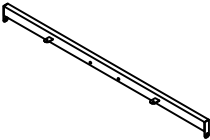
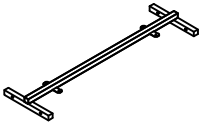
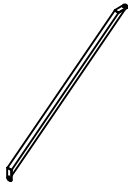
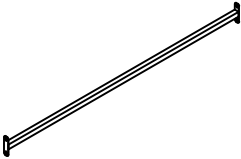
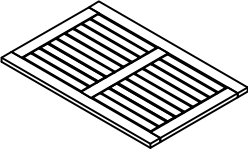
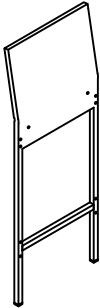
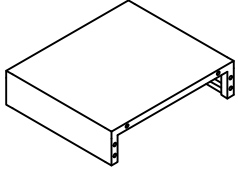
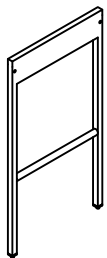
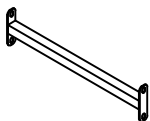
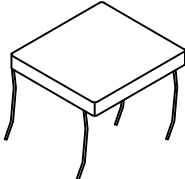


(J) X8










(K) X4

Part List

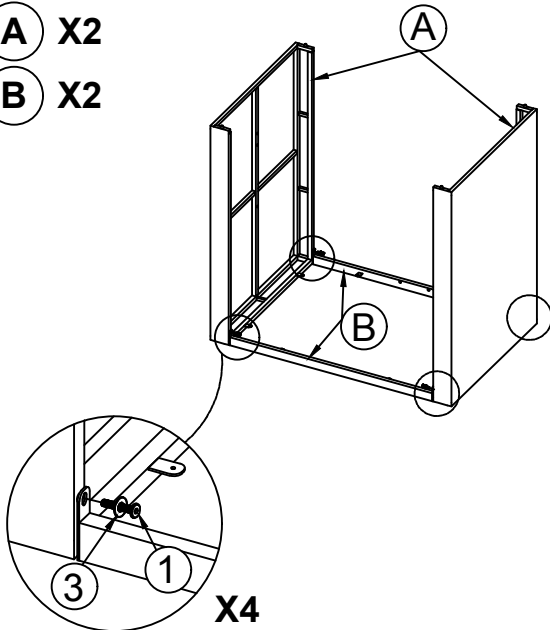
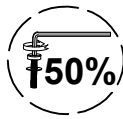
<p>A x2</p>  <p>TABLE LEFT</p>	<p>B x2</p>  <p>SUPPORT OF TABLE 1</p>	<p>C x1</p>  <p>SUPPORT OF TABLE 2</p>	<p>D x2</p>  <p>SUPPORT OF TABLE 3</p>
<p>E x1</p>  <p>SUPPORT OF TABLE 4</p>	<p>F x2</p>  <p>TABLE TOP</p>	<p>G x4</p>  <p>BACK LEG</p>	<p>H x4</p>  <p>SEAT CHAIR</p>
<p>I x4</p>  <p>FRONT LEG</p>	<p>J x8</p>  <p>SUPPORT OF CHAIR</p>	<p>K x4</p>  <p>SEAT CUSHION</p>	

Hardware

<p>① x43 pcs Extra 2 pcs</p>  <p>BOLT M6 X 20MM</p>	<p>③ x95 pcs Extra 4 pcs</p>  <p>WASHER M6</p>	<p>⑤ x4 pcs Extra 1 pc</p>  <p>ADJUSTABLE FEET</p>	<p>⑦ x1 pc</p>  <p>SCREWDRIVER</p>
<p>② x52 pcs Extra 2 pcs</p>  <p>BOLT M6 X 40MM</p>	<p>④ x12 pcs Extra 2 pcs</p>  <p>SCREW M4 x 15MM</p>	<p>⑥ x2 pcs</p>  <p>ALLEN KEY</p>	

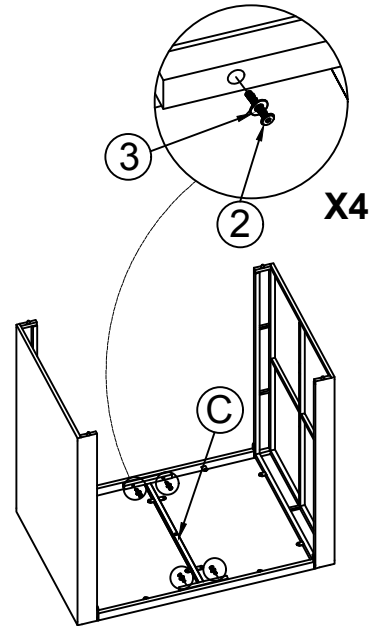
STEP 1

- ① X4
- ③ X4
- Ⓐ X2
- Ⓑ X2



STEP 2

- ② X4
- ③ X4
- Ⓒ X1

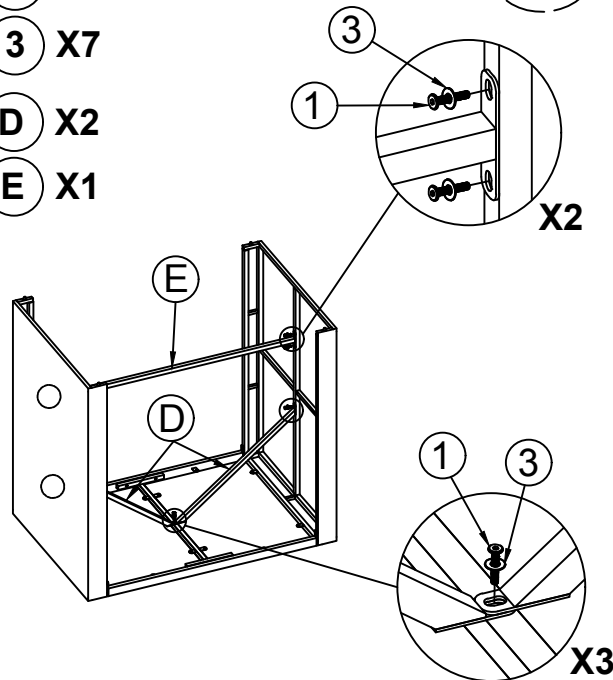
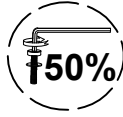


Connect Table Left (A) & Support (B) with Bolt (1) & Washer (3).

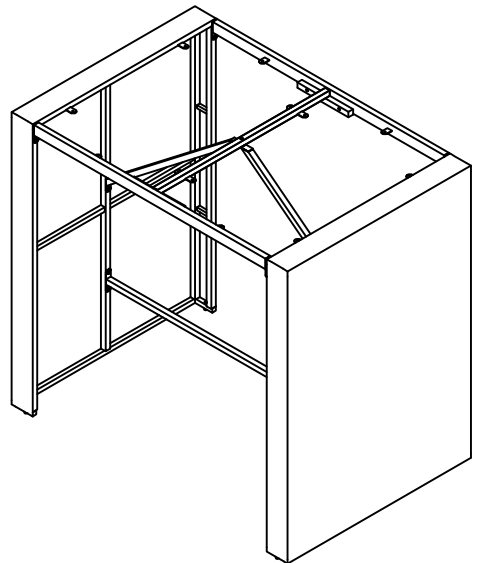
Connect part from STEP 1 & Support (C) with Bolt (2) & Washer (3).

STEP 3

- ① X7
- ③ X7
- Ⓓ X2
- Ⓔ X1



STEP 4

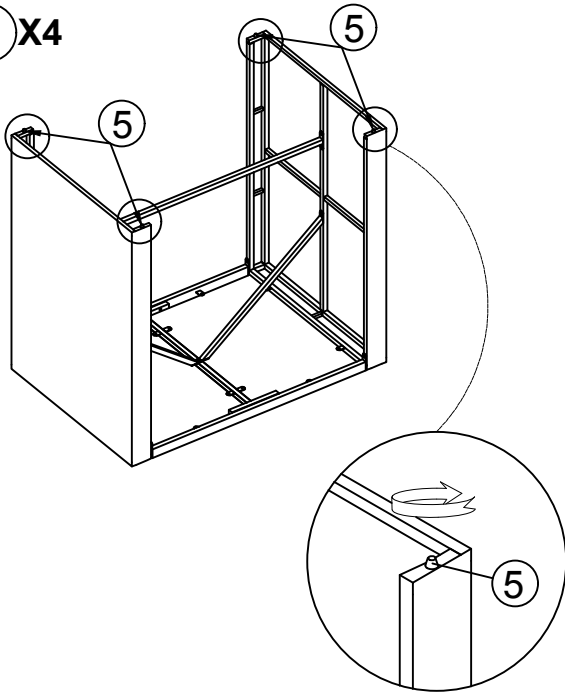


Connect part from STEP 2 & Support (D),(E) with Bolt (1) & Washer (3).

100 % Tighten

STEP 5

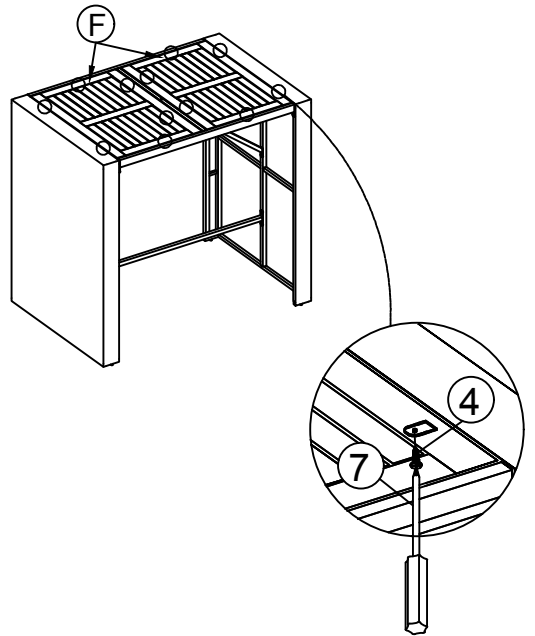
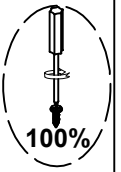
5 X4



STEP 6

F X2

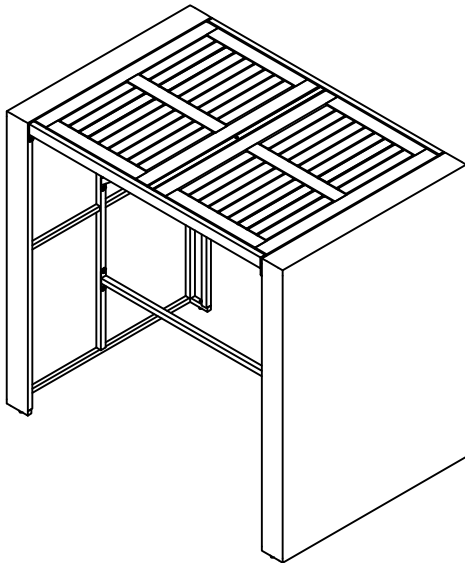
4 X12



Connect part from STEP 4 & Adjustable Feet (5) by Hand.

Connect part from STEP 5 & Table Top (F) with Screw .

STEP 7



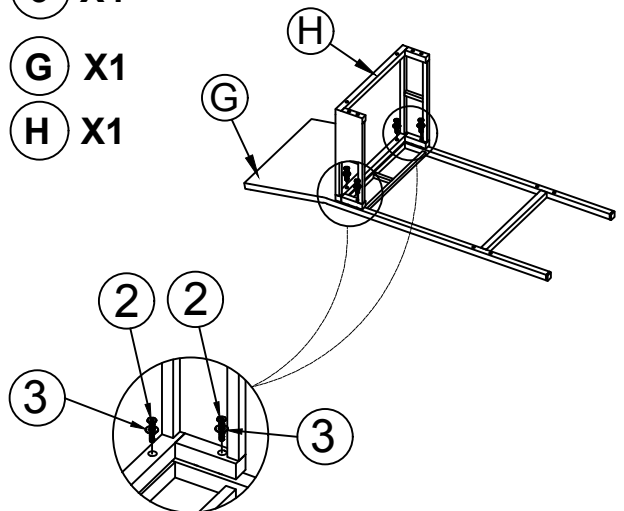
STEP 8

2 X4

3 X4

G X1

H X1



Complete Table.

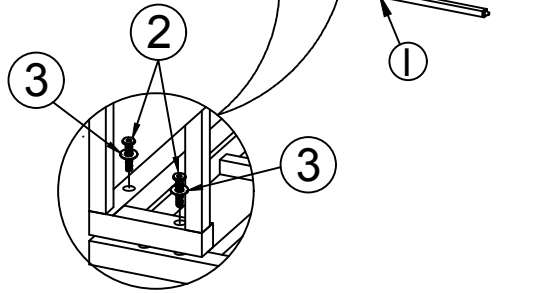
Connect Back Leg (G) & Seat (H) with Bolt (2) & Washer (3).

STEP 9

2 X6

3 X6

I X1

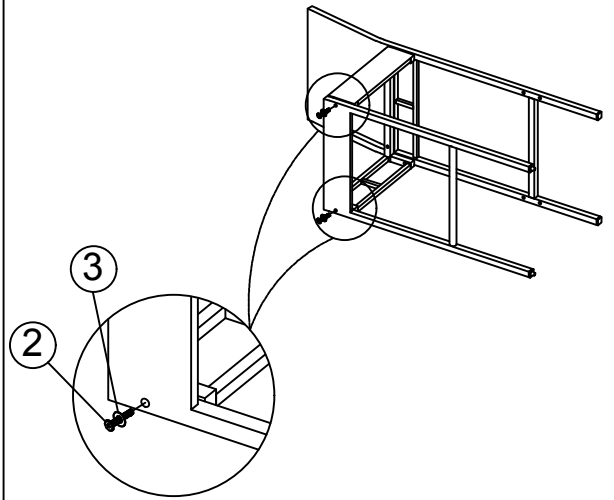


Connect part from STEP 8 & Front Leg (I), Back Leg (G) with Bolt (2) & Washer (3).

STEP 10

2 X2

3 X2



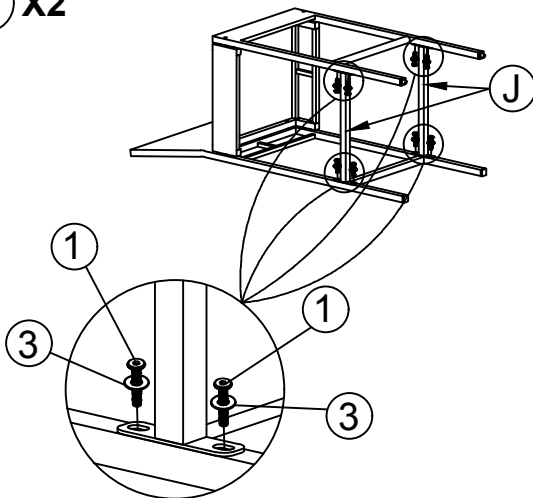
Connect part from STEP 9 & Front Leg (I) with Bolt (2) & Washer (3).

STEP 11

1 X8

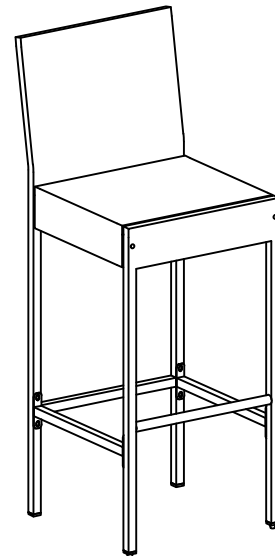
3 X8

J X2



Connect part from STEP 10 & Support of Chair (J) with Bolt (1) & Washer (3).

STEP 12

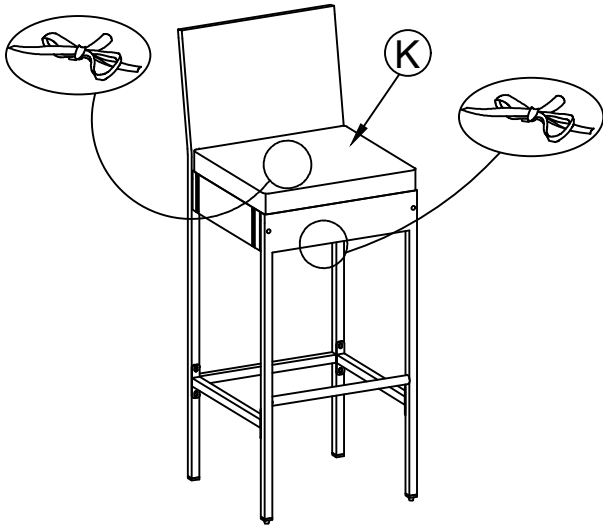


X4

100 % Tighten

STEP 13

(K) X1



X4

Put the Seat Cushion (K) on to complete the Chair.

FINISH

