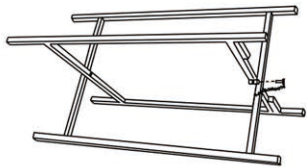

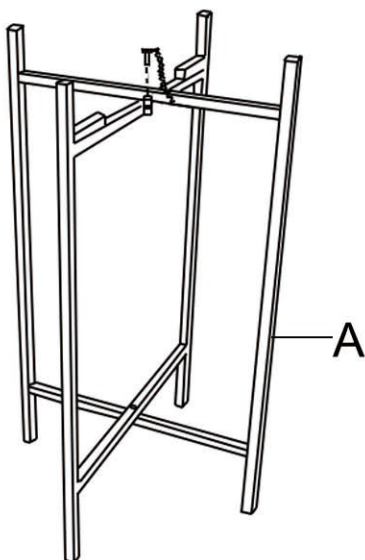


# ASSEMBLY INSTRUCTIONS

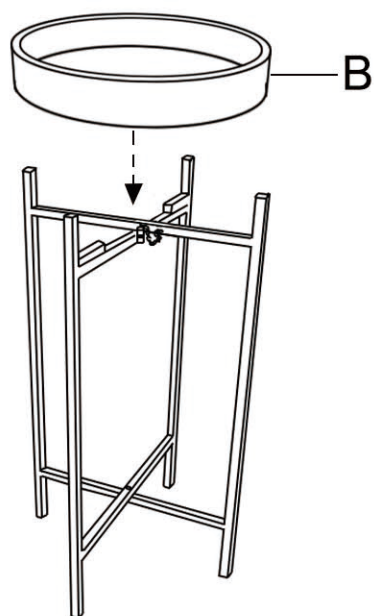
Parts required

A		1pc
B		1pc

1.



2.



3.

