

# INSTALLATION INSTRUCTION

## Installation



**WARNING:** Turn off the electricity at the main fuse box (or circuit breaker box) before beginning installation by switching the circuit breaker off or removing the fuse.



**WARNING:** If cord is damaged, socket must be replaced by a qualified electrician or trained professional.



**CAUTION:** Consult a qualified electrician to ensure correct branch circuit conductor.

## Making the electrical connections

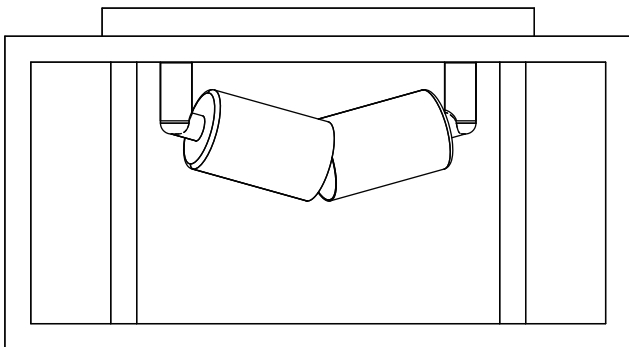


**NOTE:** If the supply circuit does not have a ground wire, attach the fixture ground wire to the green screw (DD). Never connect the ground wire to the black or the white power supply wires.

Twist the stripped wire ends of the fixture and the supply circuit wires together: black(L) to black, and white(N) to white.

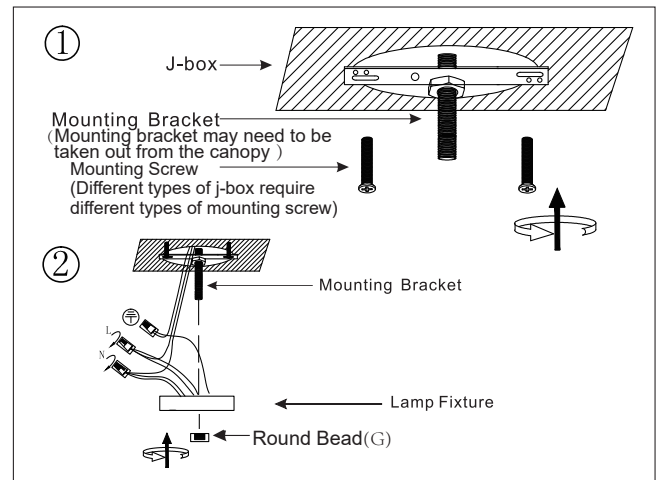
Twist on the wire nuts(CC), ensuring that the conductors are no longer exposed.

Carefully tuck the connected wires and the wire nuts(CC) into the outlet box.



**Bulb Not Included**

Rated Voltage	110-250V
Socket Type	E26/E27
Suitable Bulbs	LED/Incandescent/ Energy-saving lamp
Bulb Wattage	≤60W



1. Use long screws to install the metal frame (Note: select the correct snail hole)



2. The complete metal frame is as shown above



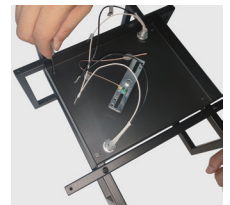
3. Install the bulb socket to the canopy.



4. Install two bulb socket, as shown above.



5. Connect the same color wires.



6. Use short screws to install Light body.