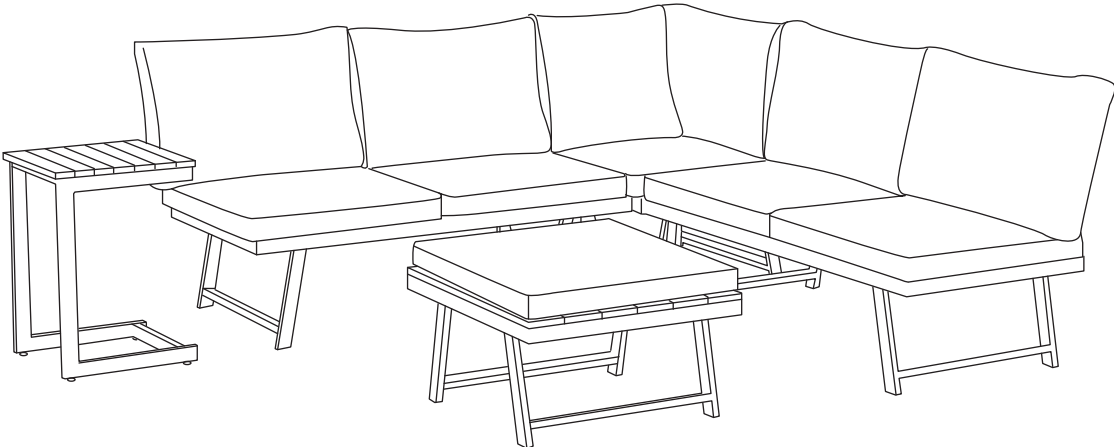


CORNER SOFA SET POLYWOOD TOP

Instruction manual





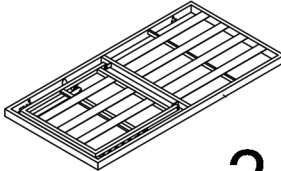
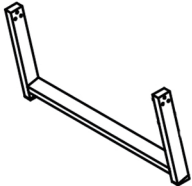
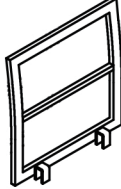
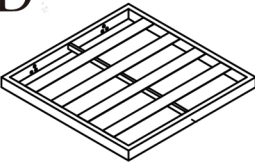
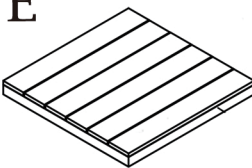
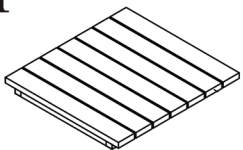
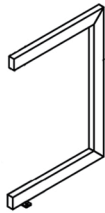
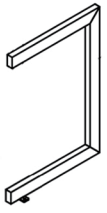
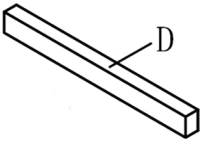





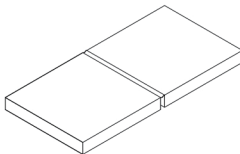




SAFETY AND CARE ADVICE

PLEASE READ THESE INSTRUCTIONS CAREFULLY AND KEEP FOR FUTURE

- Check you have all the components and tools listed on pages 1 & 2.
- Remove all fittings from the plastic bags and separate them into their groups.
- Keep children and animals away from the work area, small parts could choke if swallowed.
- Make sure you have enough space to layout the parts before starting.
- Do not stand or put weight on the product, this could cause damage.
- Assemble on a soft level surface to avoid damaging the unit or your floor (use opened out unit carton).
- We do not recommend the use of power drill/drivers for inserting screws, as this could damage the unit. Only use hand screwdrivers.



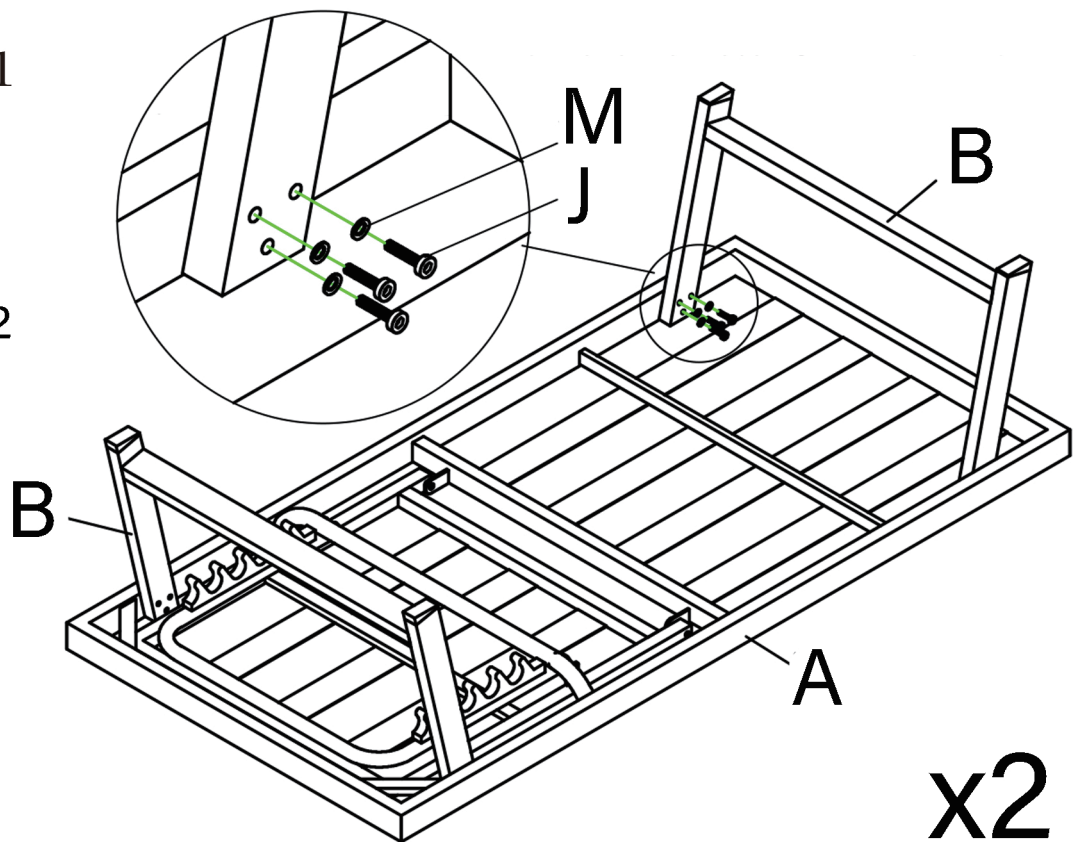
COMPONENTS

<p>A</p>  <p>2</p>	<p>B</p>  <p>8</p>	<p>C</p>  <p>6</p>	<p>D</p>  <p>1</p>
<p>E</p>  <p>1</p>	<p>F</p>  <p>1</p>	<p>G</p>  <p>1</p>	<p>H</p>  <p>1</p>
<p>I</p>  <p>1</p>	<p>J</p>  <p>M6x35</p> <p>48</p>	<p>K</p>  <p>M6x30</p> <p>4</p>	<p>L</p>  <p>M6x15</p> <p>2</p>
<p>M</p>  <p>54</p>	<p>N</p>  <p>1</p>	<p>O</p>  <p>2</p>	<p>P</p>  <p>1</p>
<p>Q</p>  <p>1</p>	<p>R</p>  <p>6</p>	<p>S</p>  <p>x4</p>	

ASSEMBLY INSTRUCTIONS

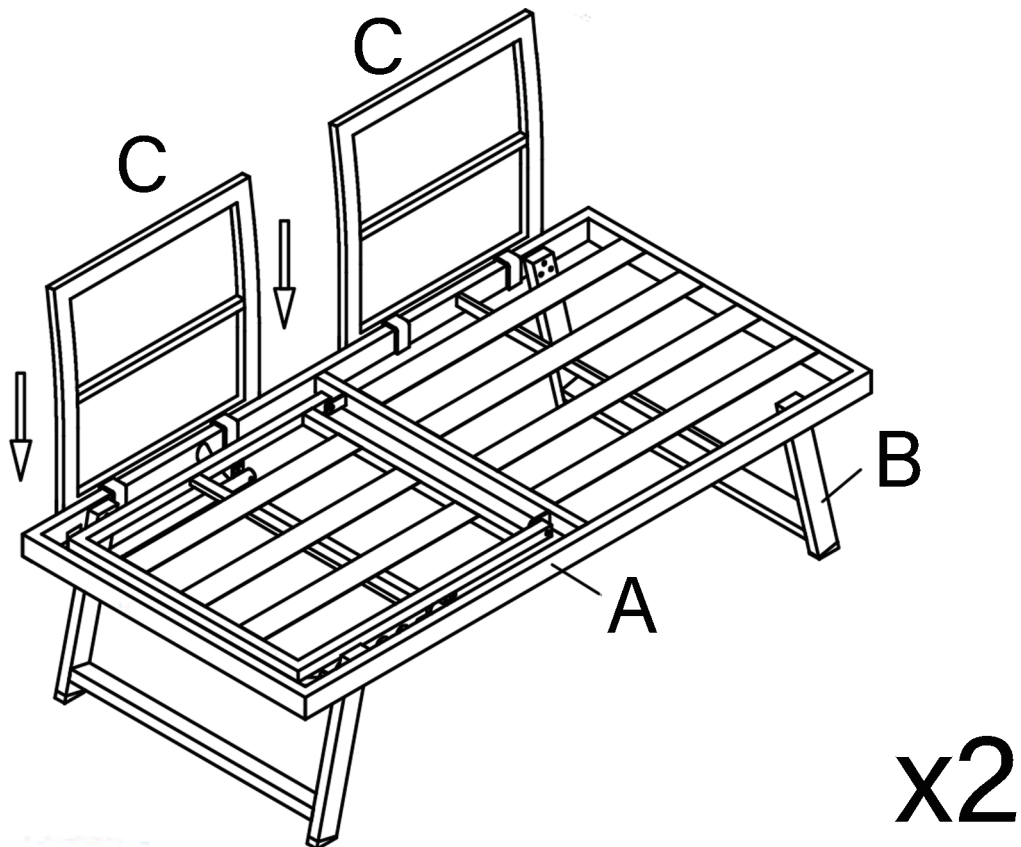
step1

Ax1
Bx2
Jx12
Mx12



step2

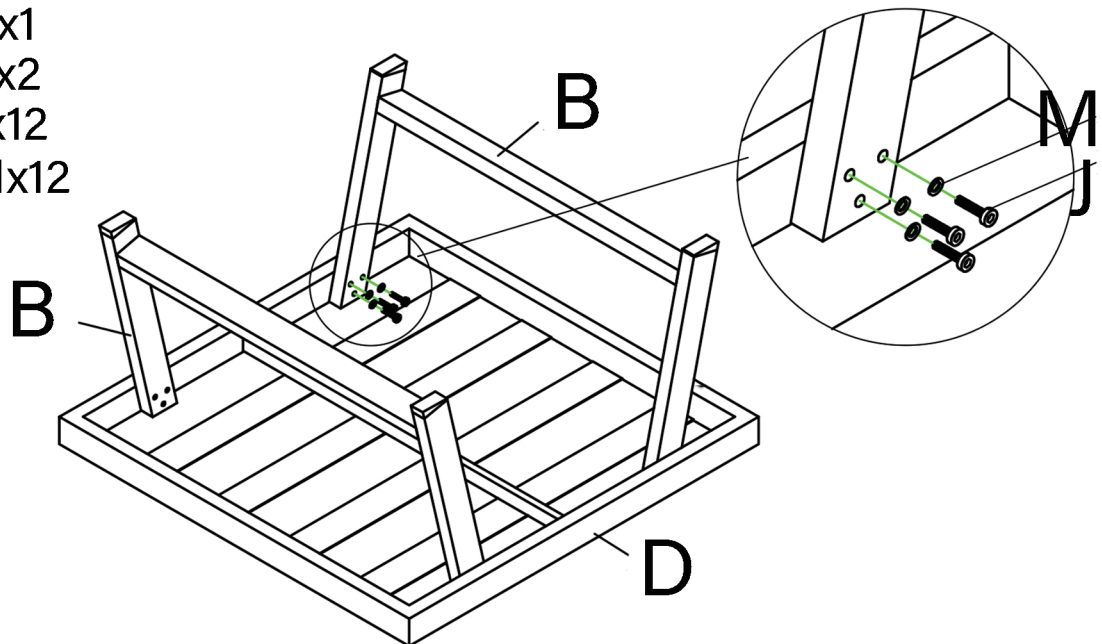
Cx2



ASSEMBLY INSTRUCTIONS

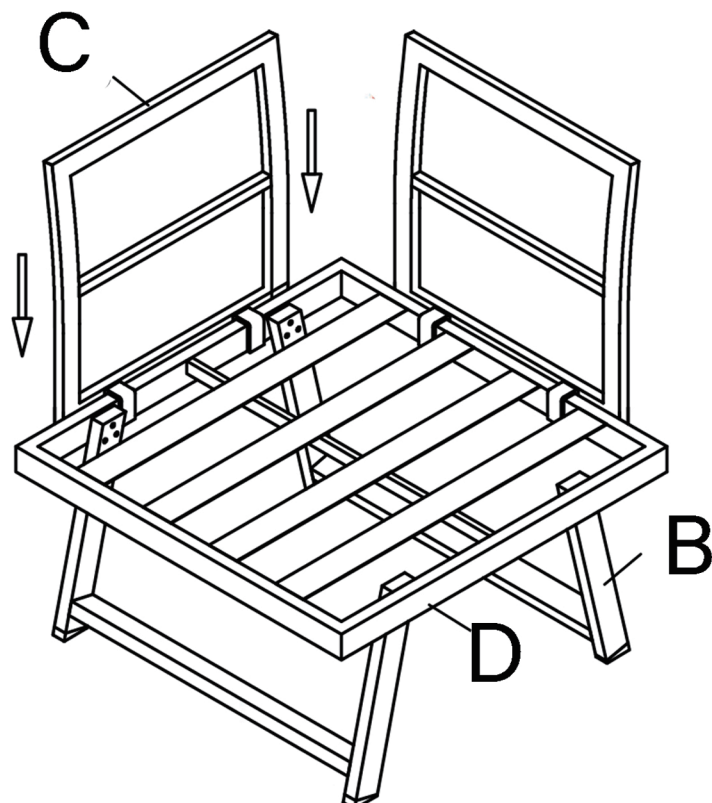
step3

Dx1
Bx2
Jx12
Mx12



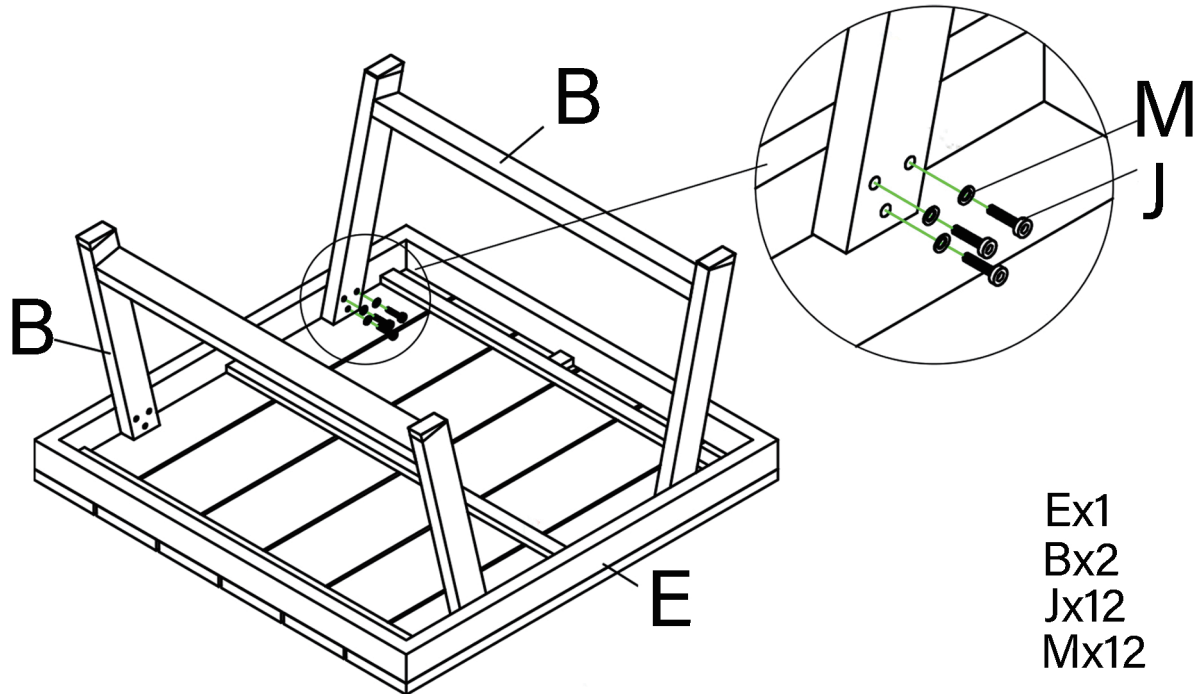
step4

Cx2

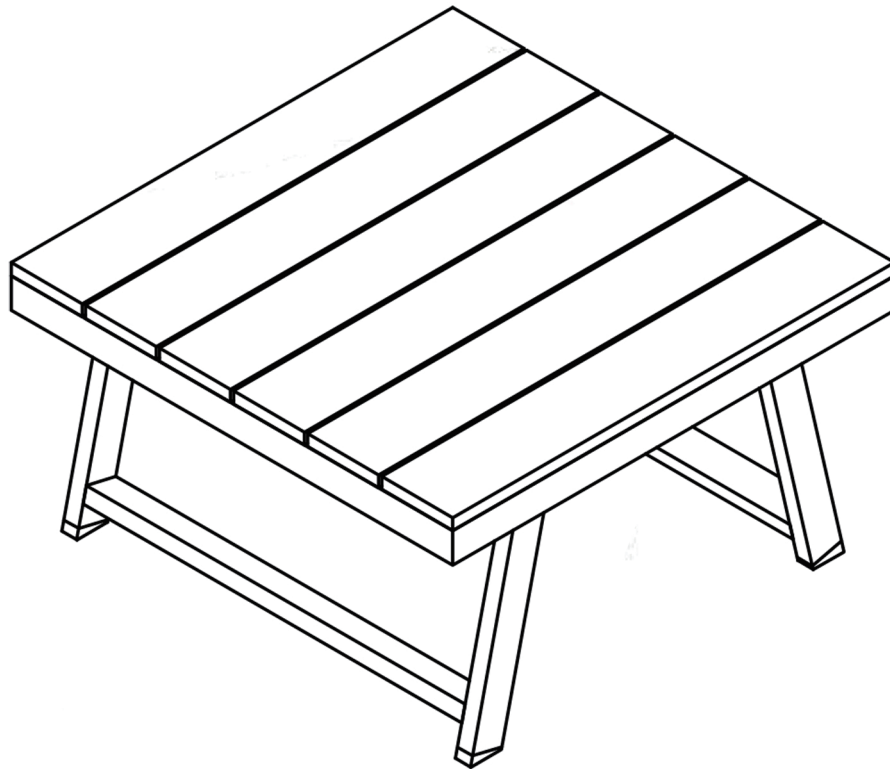


ASSEMBLY INSTRUCTIONS

step5

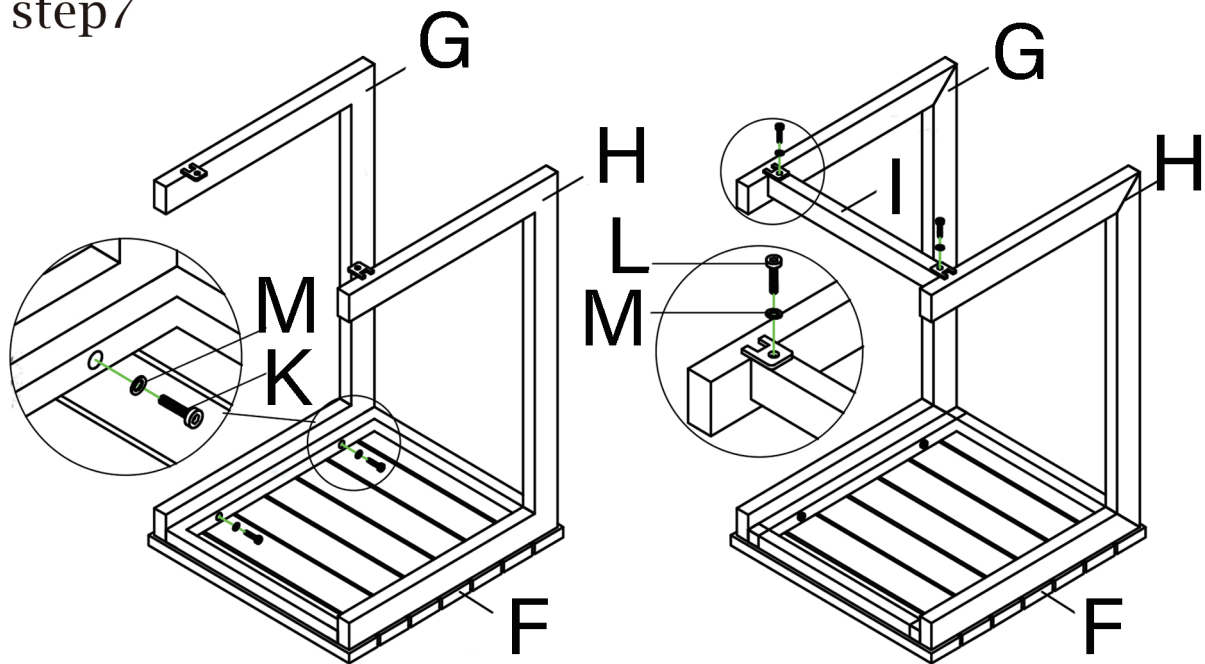


step6



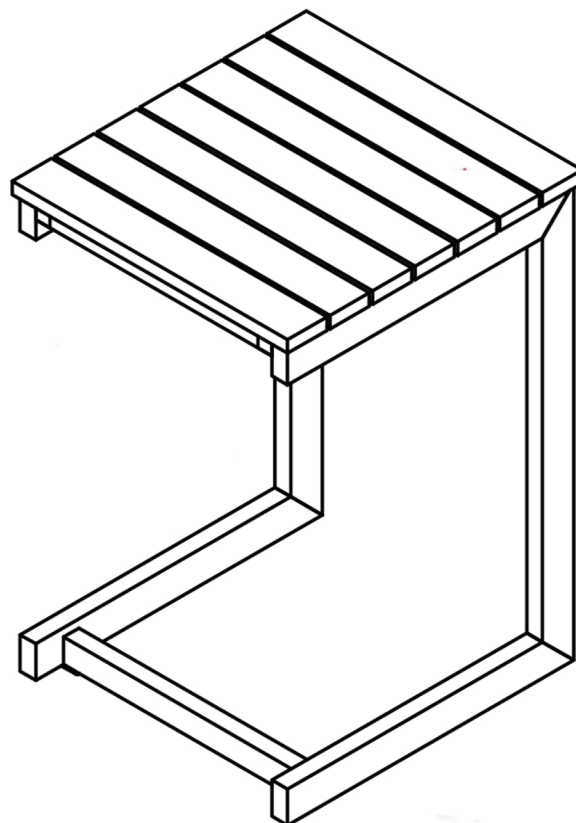
ASSEMBLY INSTRUCTIONS

step7



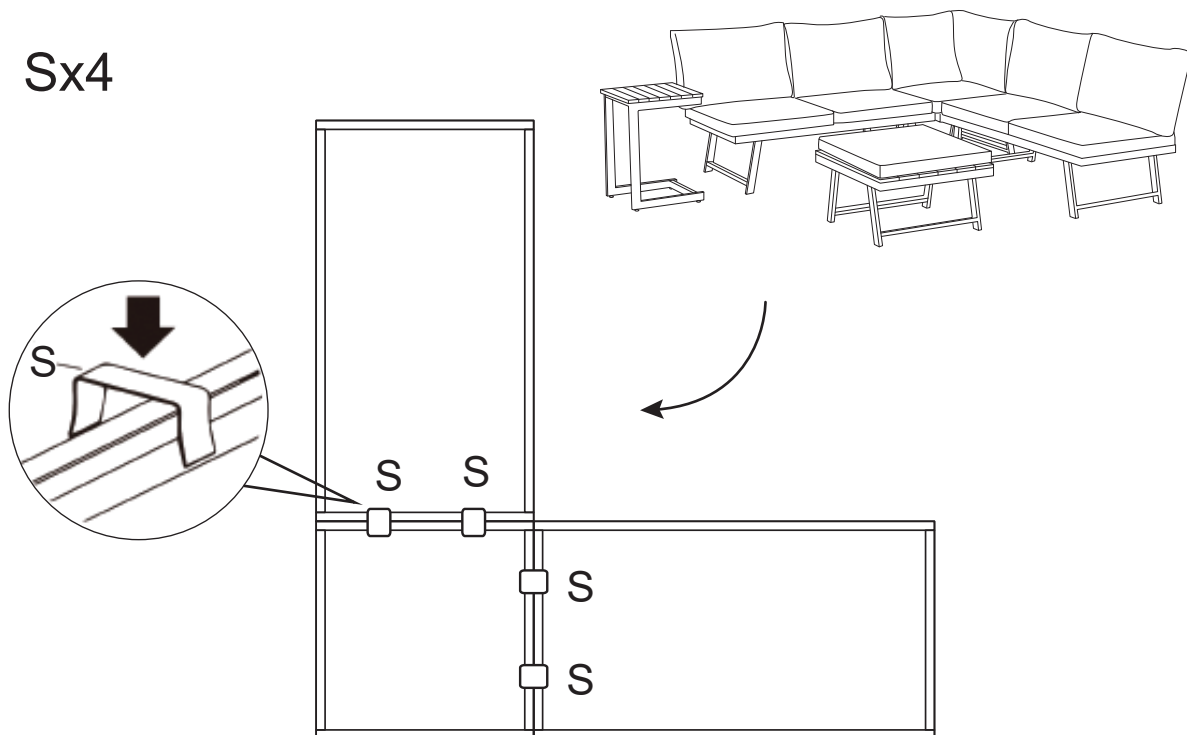
Fx1 Gx1 Hx1 Ix1 Kx4 Lx2 Mx6

step8



ASSEMBLY INSTRUCTIONS

Sx4

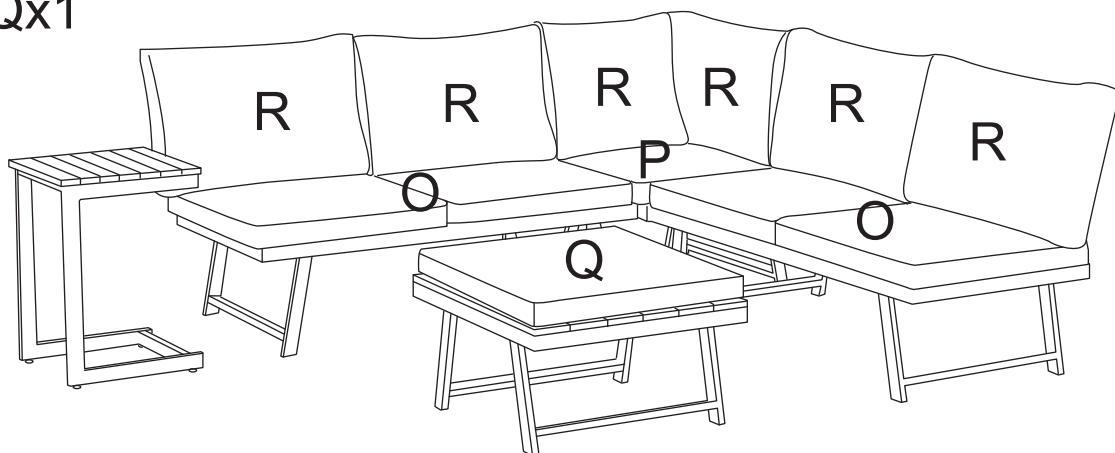


Rx6

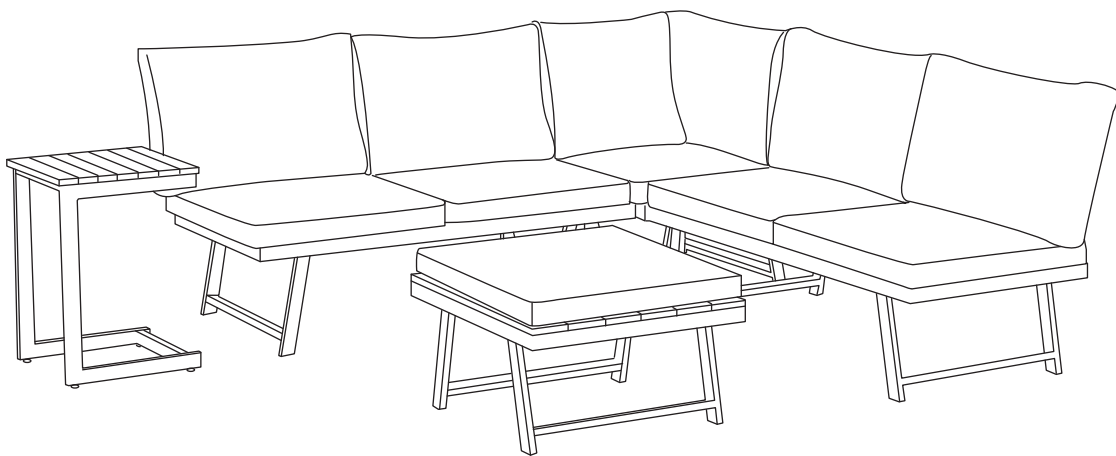
Ox2

Px1

Qx1



ASSEMBLY INSTRUCTIONS



*Congratulations!
Now you have finished assembling the product.*