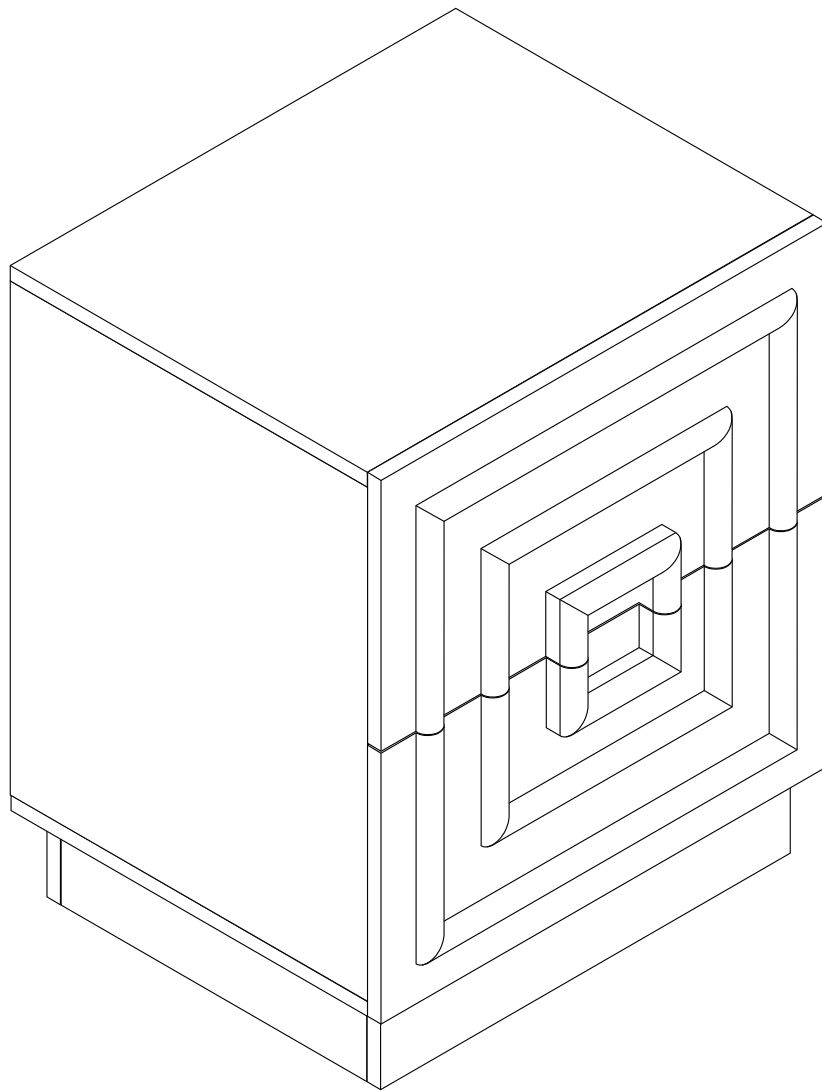
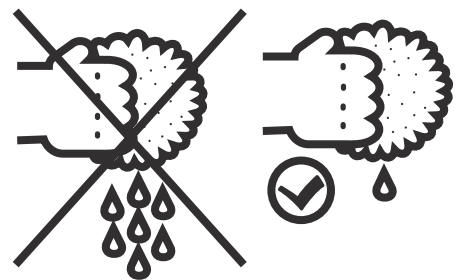
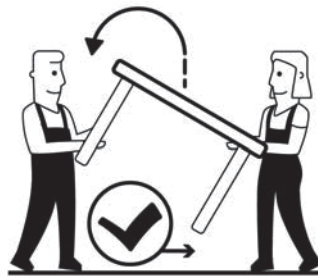
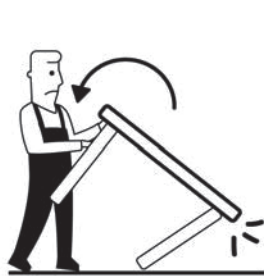
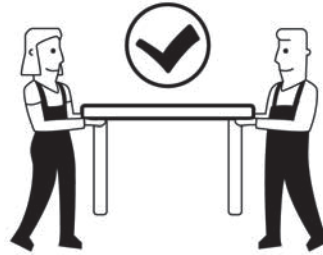
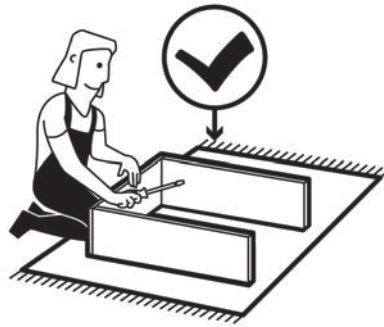


# Thank You For Shopping






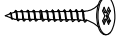



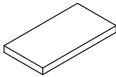




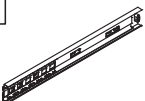
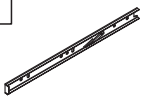
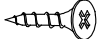
# Parts and fittings

## Fittings

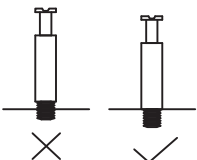
Please check you have all the fittings listed below with your product.

<p>A</p> 	<p>B</p> 	<p>C</p> 	<p>D</p> 	<p>E</p> 	<p>F</p> 
<p>M5*35mm Cam Lock Screw</p> <p>40pcs+5pcs extra</p>	<p>Ø15*10mm Cam Lock</p> <p>40pcs+5pcs extra</p>	<p>Ø8*30mm Dowel</p> <p>14pcs+1pcs extra</p>	<p>M4*30mm Screw</p> <p>12pcs+1pc extra</p>	<p>M3*12mm Screw</p> <p>8pcs+1pc extra</p>	<p>Plastic Buckle</p> <p>8pcs+1pc extra</p>
<p>G</p> 	<p>H</p> 				
<p>M4*40mm Screw</p> <p>4pcs</p>	<p>Mat</p> <p>4pcs</p>				

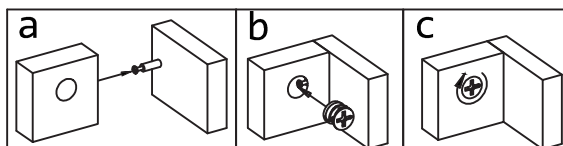
## Pre- assembled Fitting

<p>I</p> 	<p>J</p> 	<p>K</p> 
<p>Slide</p> <p>4pcs</p>	<p>Slide</p> <p>4pcs</p>	<p>M3.5*12mm Screw</p> <p>24pcs</p>

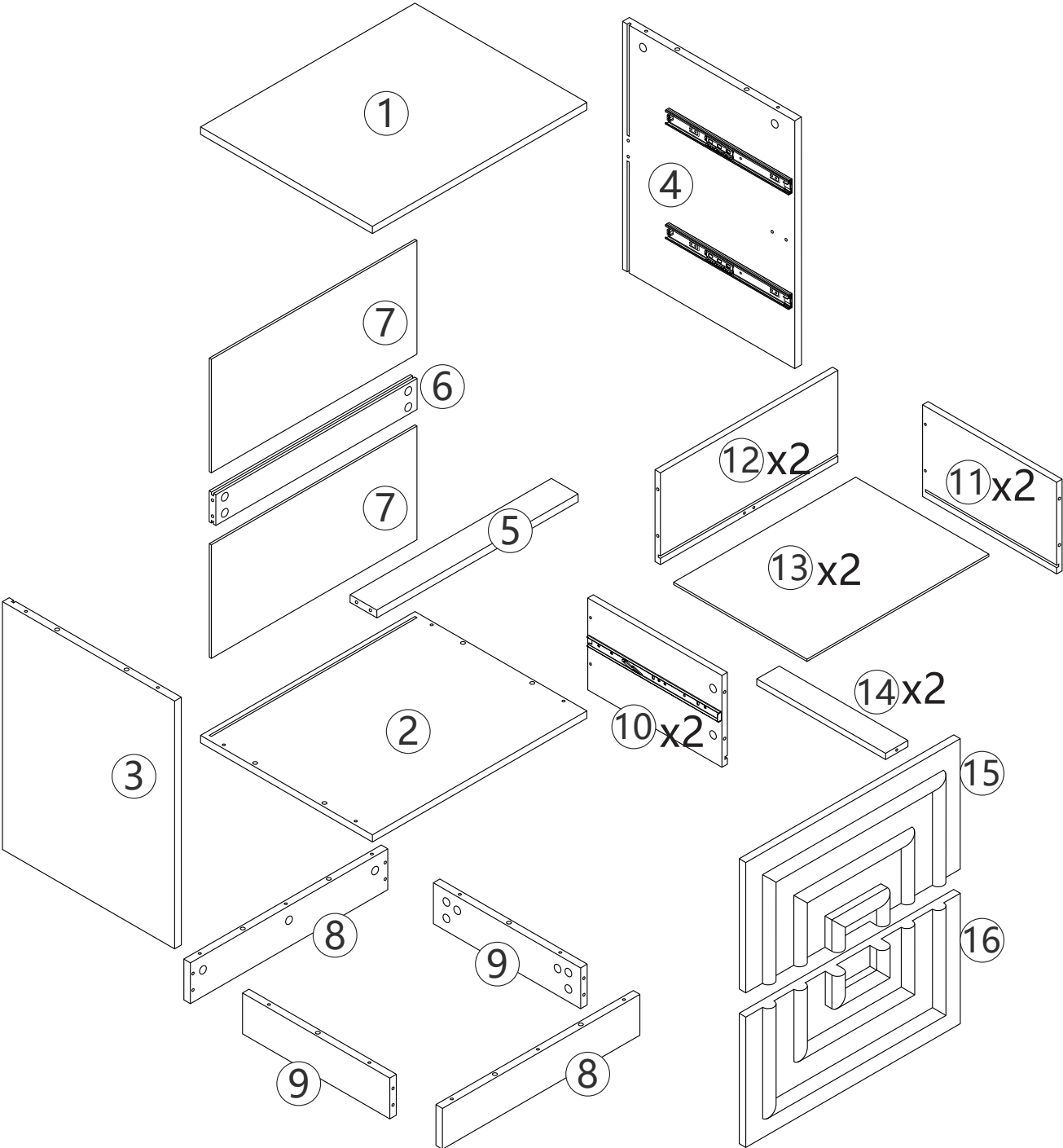
Ensure the cam lock screws are installed correctly, as indicated by the "check mark" below.



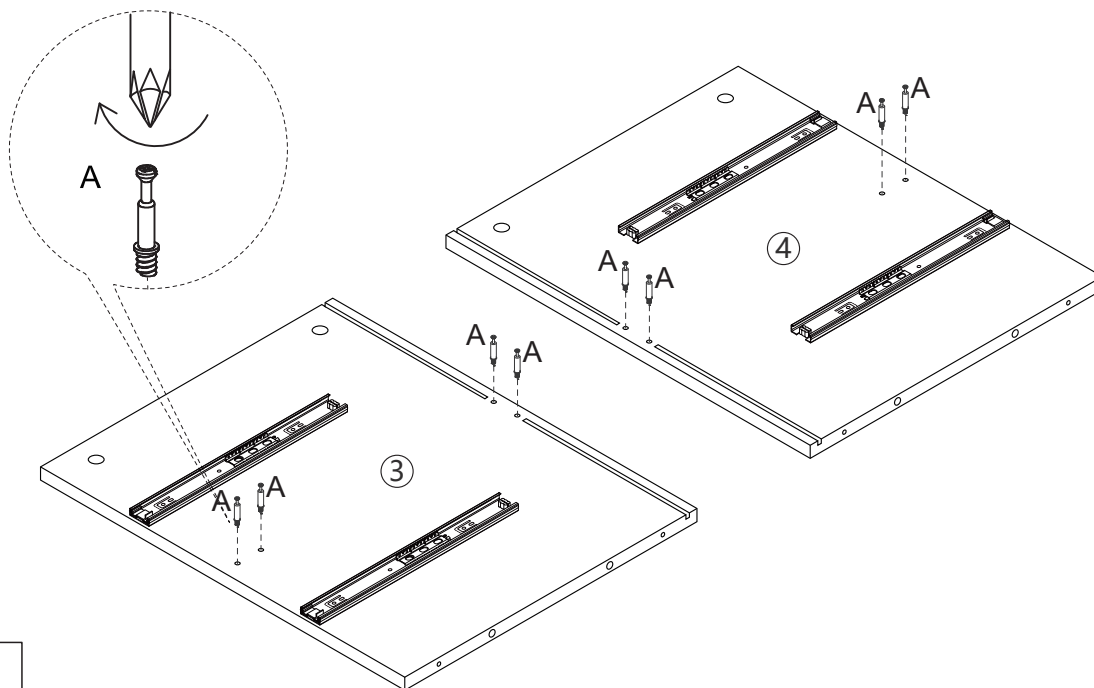
Refer to the illustration below to correctly use the cam lock screws for assembling the panels.

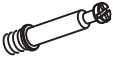


# Exploded view

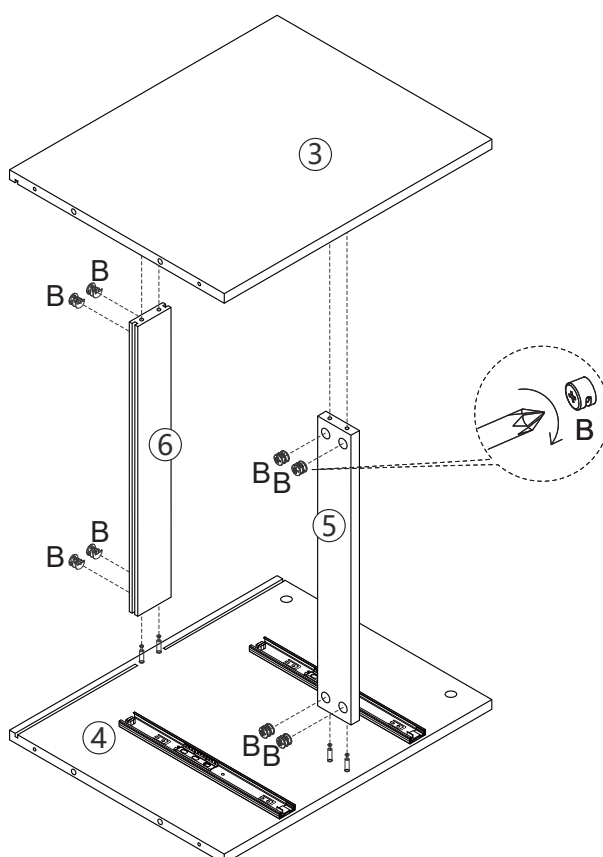



# Step 1.



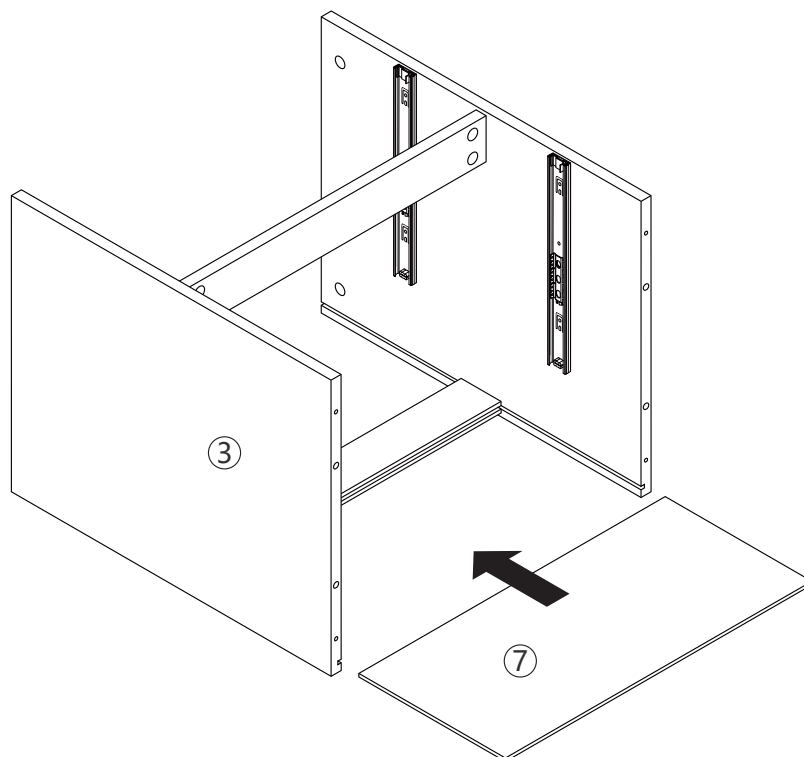
A

M5*35mm Cam Lock Screw
8pcs

# Step 2.

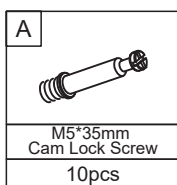
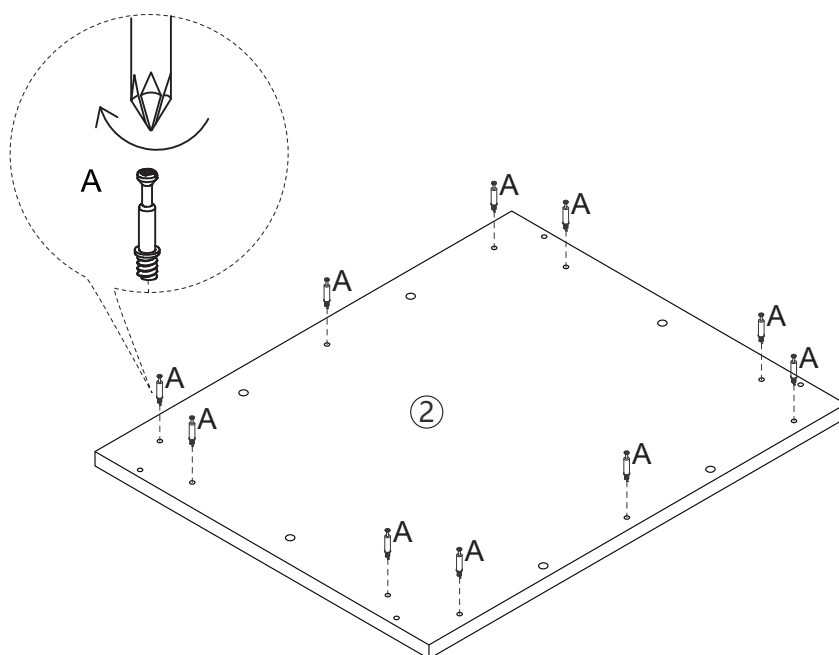


B

Ø15*10mm Cam Lockk
8pcs

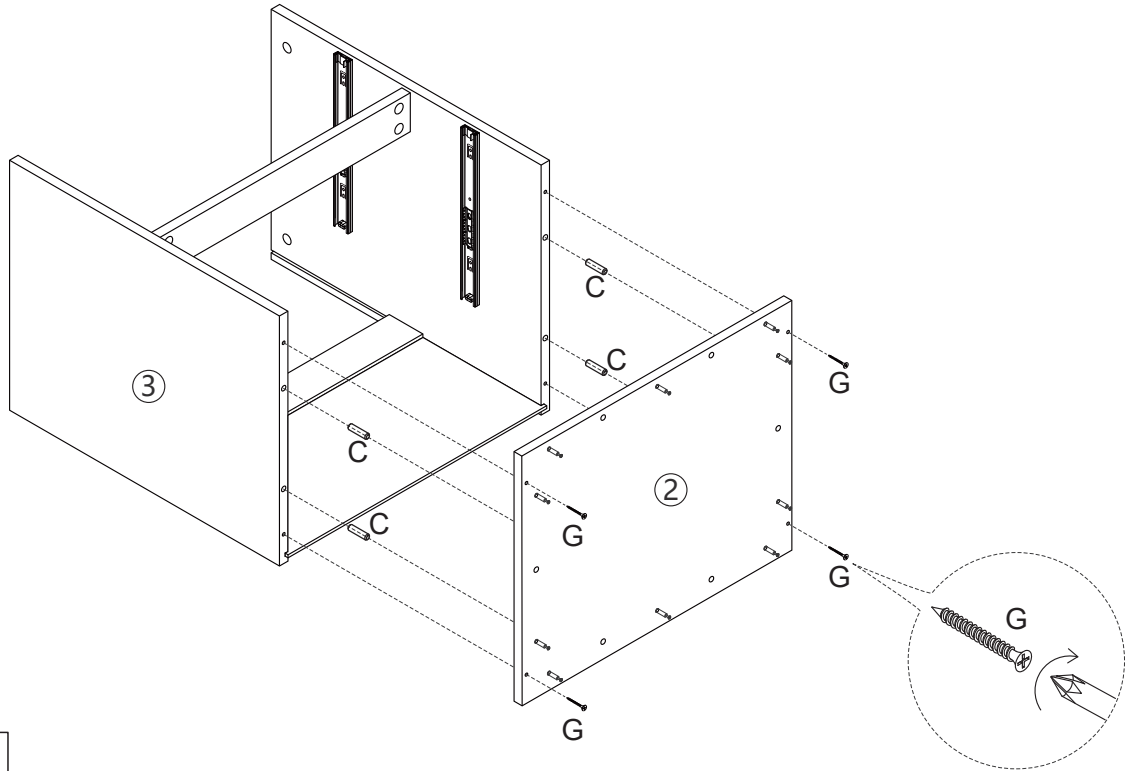
### Step 3.





### Step 4.

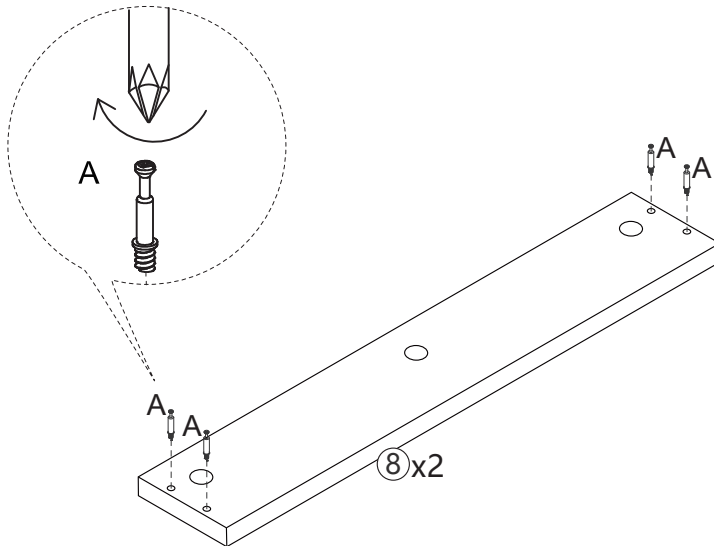



### Step 5.



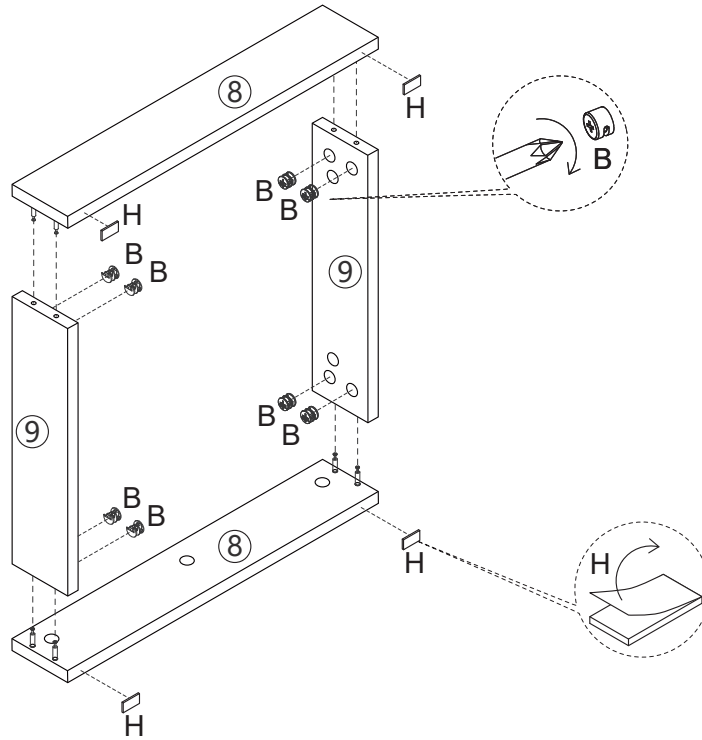
C		G	
Ø8*30mm Dowel		M4*40mm Screw	
4pcs		4pcs	


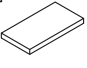
### Step 6.



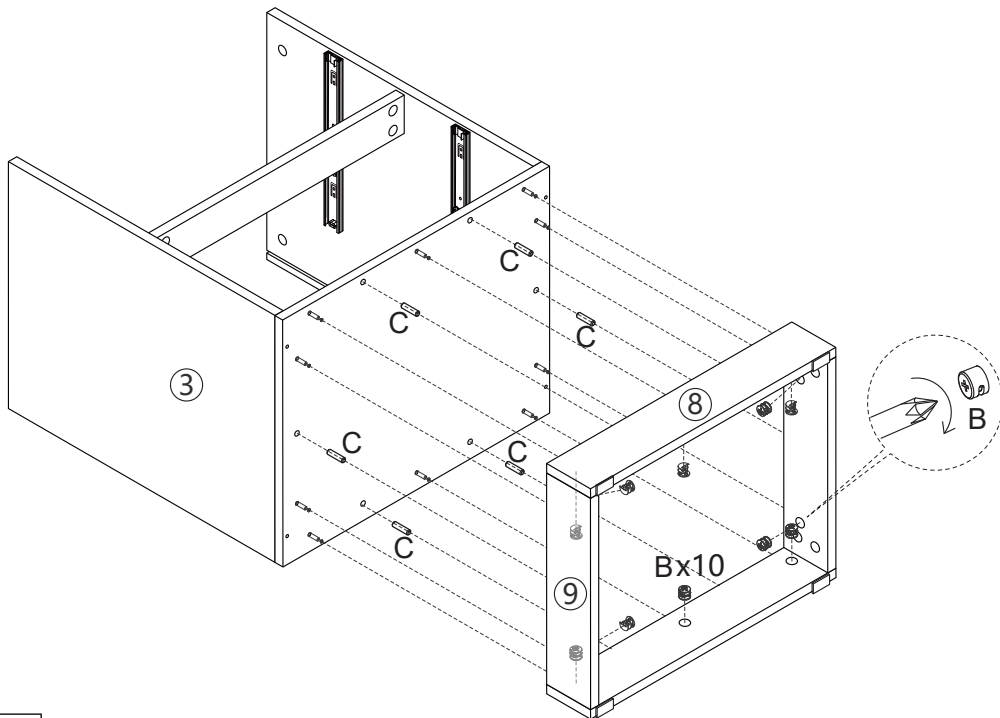
A	
M5*35mm Cam Lock Screw	
8pcs	



Step 7. Assemble the foot panel and attach the foot pad as shown in the picture.



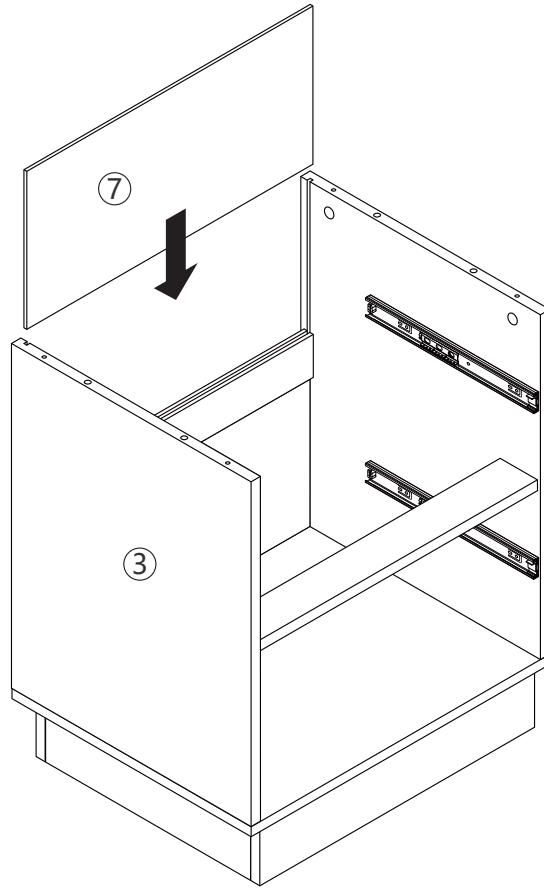
<p><b>B</b></p> 	<p><b>H</b></p> 
<p>Ø15*10mm Cam Lockk 8pcs</p>	<p>Mat 4pcs</p>

Step 8.

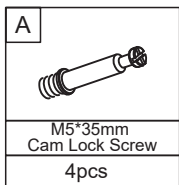
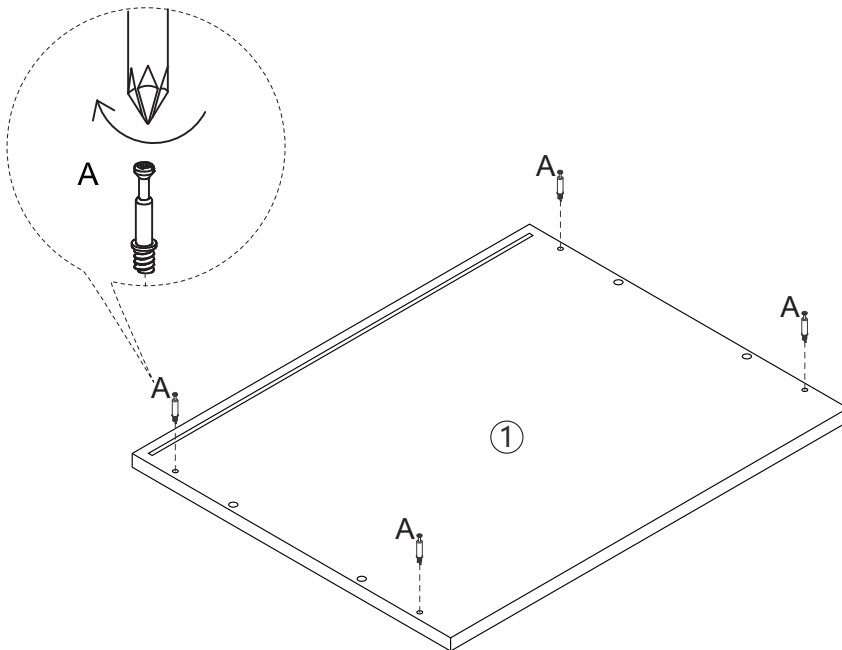


<p><b>B</b></p> 	<p><b>C</b></p> 
<p>Ø15*10mm Cam Lockk 10pcs</p>	<p>Ø8*30mm Dowel 6pcs</p>

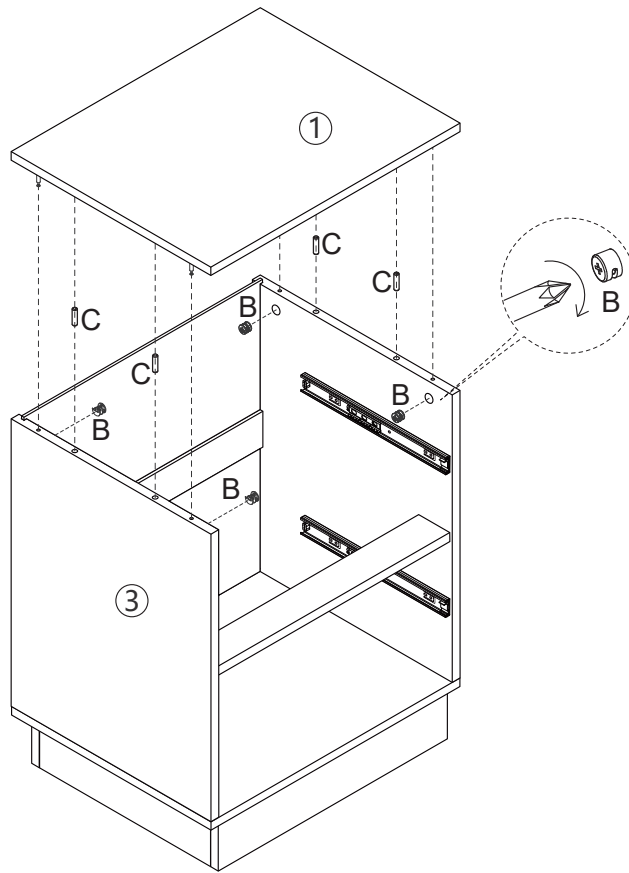
Step 9.





Step 10.

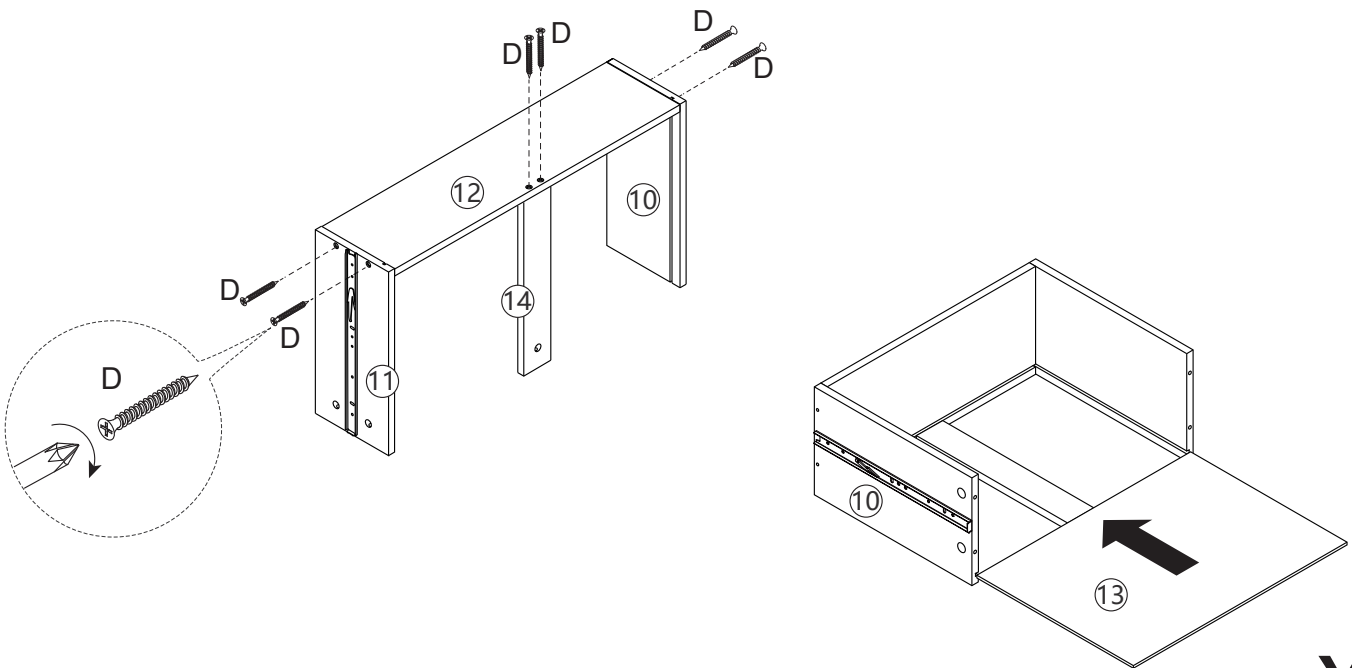


## Step 11.

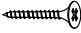


<p><b>B</b></p> 	<p><b>C</b></p> 
<p>Ø15*10mm Cam Lockk 4pcs</p>	<p>Ø8*30mm Dowel 4pcs</p>

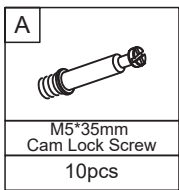
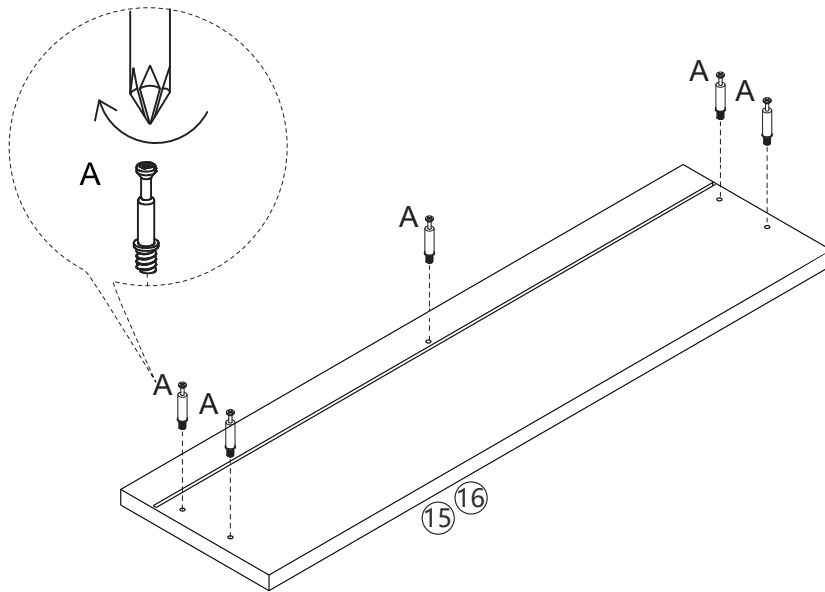
## Step 12.



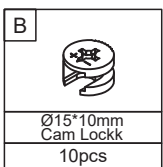
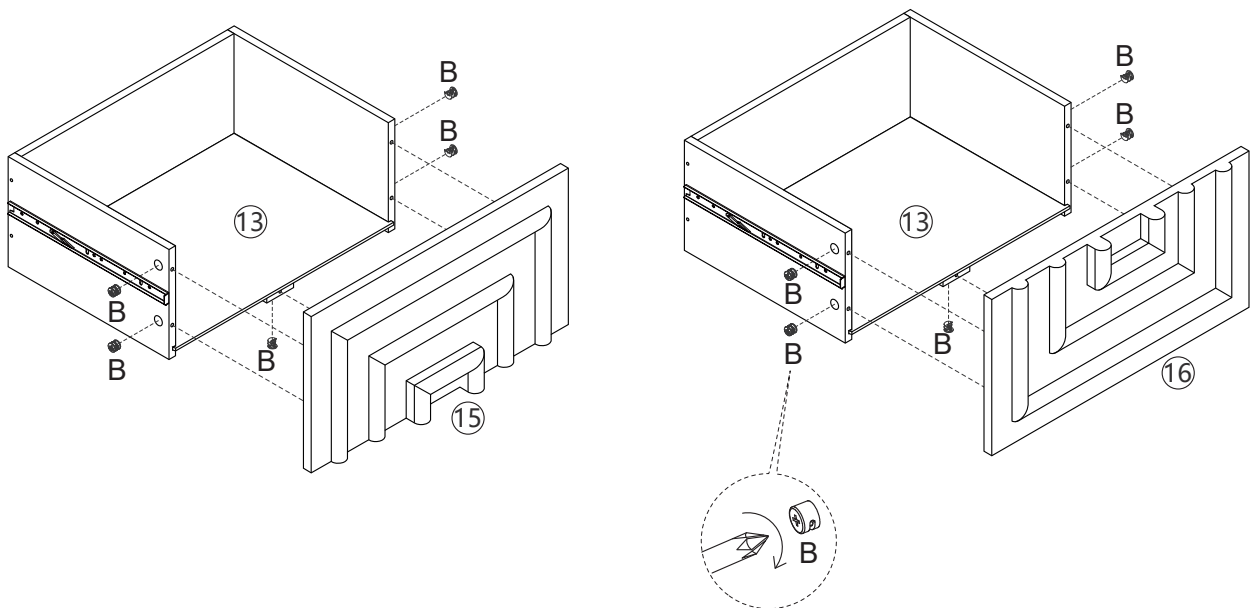
x2

<p><b>D</b></p> 
<p>M4*30mm Screw 12pcs</p>

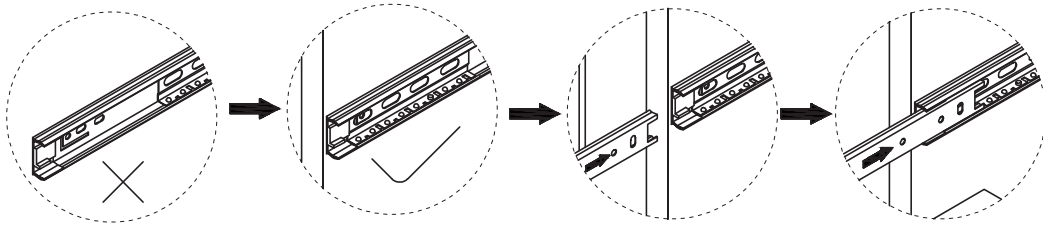
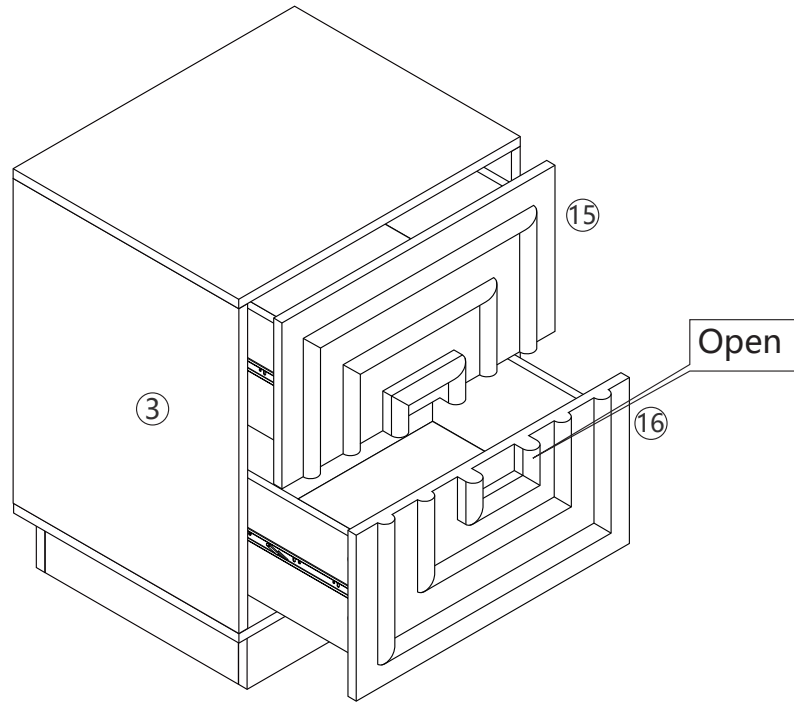
### Step 13.



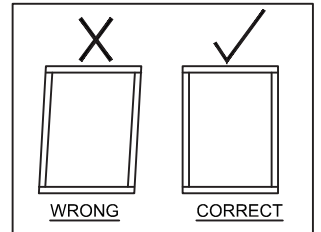
### Step 14.



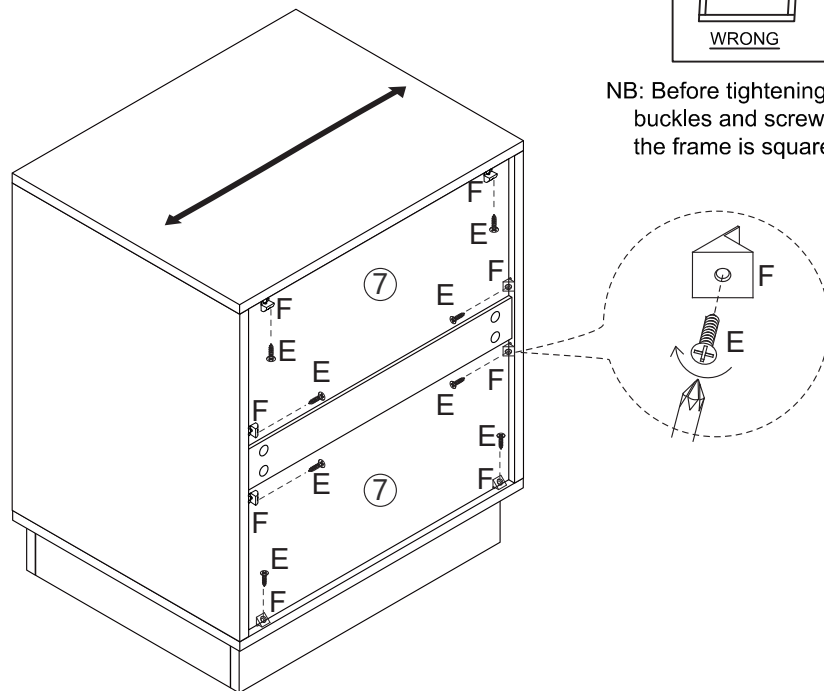
Step 15.



Step 16. Attach the plastic buckles and screws.



NB: Before tightening the plastic buckles and screws, please ensure the frame is square



Plastic Buckle 8pcs	M3*12mm Screw 8pcs

---

# Wood care advice

---

## Wood care advice

Wood is a natural product and each piece is individual.

As a natural product, wood is affected by temperature and humidity. We recommend that you avoid placing the furniture directly in front of heat sources such as radiators or fires as this can cause cracking or warping over time.

The colour will mellow over time and new items can vary in shade from items that you have already purchased.

Strong direct sunlight can affect the colour dramatically, so try to avoid this as much as possible, we also recommend that any ornaments, coasters and items placed on the product are periodically moved around to allow the colour to mellow evenly.

Always use mats and coasters to protect the surface when placing items on the furniture. This will help to protect the finish from heat, liquids or items that might scratch your furniture.

If items are to be placed on the surface of your furniture and have rubber feet, it is advisable to use mats to prevent marking.

Always lift your furniture into place, avoid dragging it across the floor as this can cause damage to joints.

When placing furniture on a wooden or laminate floor, please ensure that the plastic or felt protectors are securely fitted and in place.

Only clean using a damp cloth and mild detergent, do not use bleach or abrasive cleaners.

From time to time check that there are no loose screws on this unit.

Remove any spills immediately to avoid staining.

Dust regularly with a soft lint free cloth or duster.

The use of abrasive polish or silicon based polishes is not advised as these can affect the polished finish and joints over time.

Uneven floors could give the impression that doors of wall units and wardrobes are out of alignment. Be aware of this and compensate if necessary by adjusting the hinges or packing a corner to level the item. Please refer to the instructions, included with your furniture, and adjust accordingly.

If your furniture becomes stained, scratched, chipped or suffers other damage, we recommend professional help is sought to restore it. Please contact our customer services line for recommended agents.

Always follow fitting instructions carefully and retain them for future use.