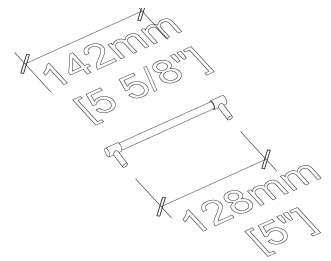
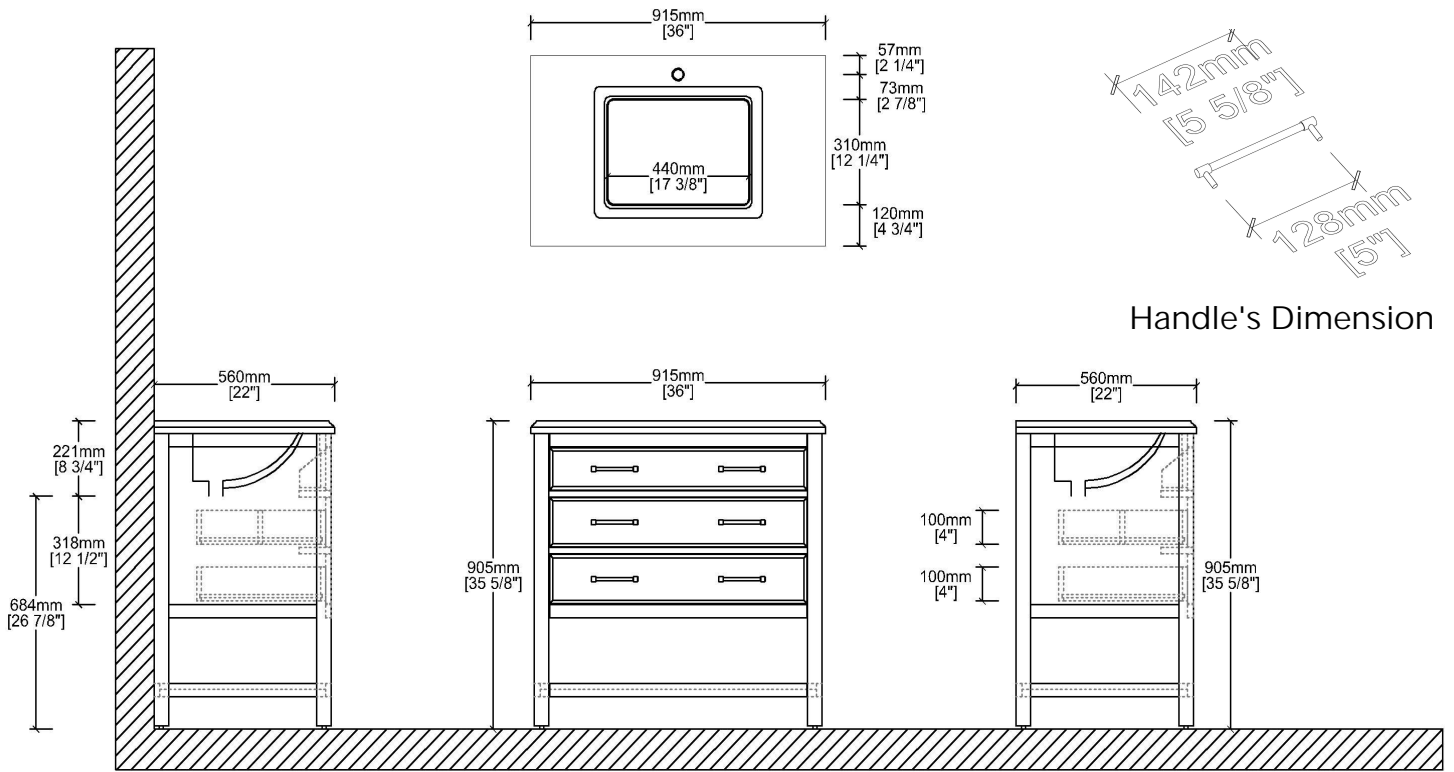


Specifications & Dimension



Handle's Dimension

