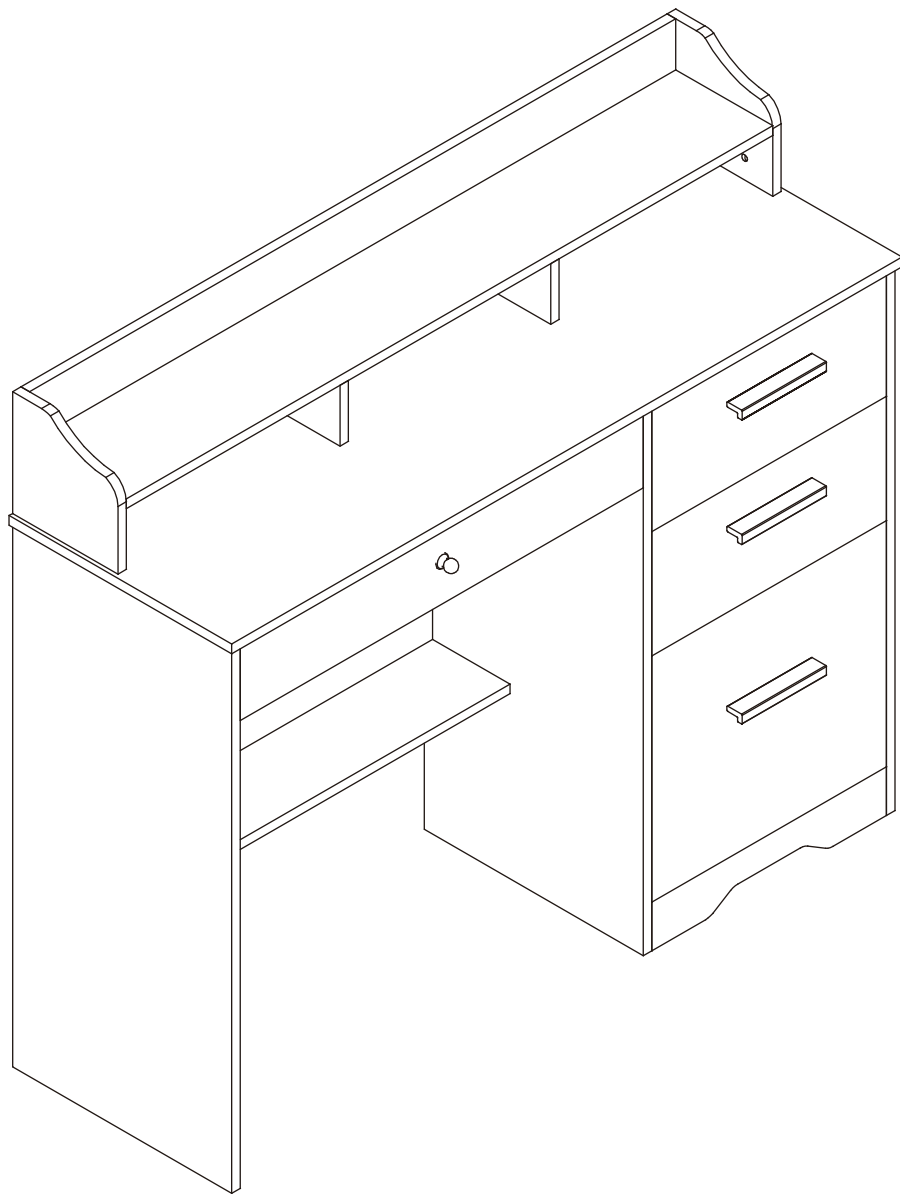


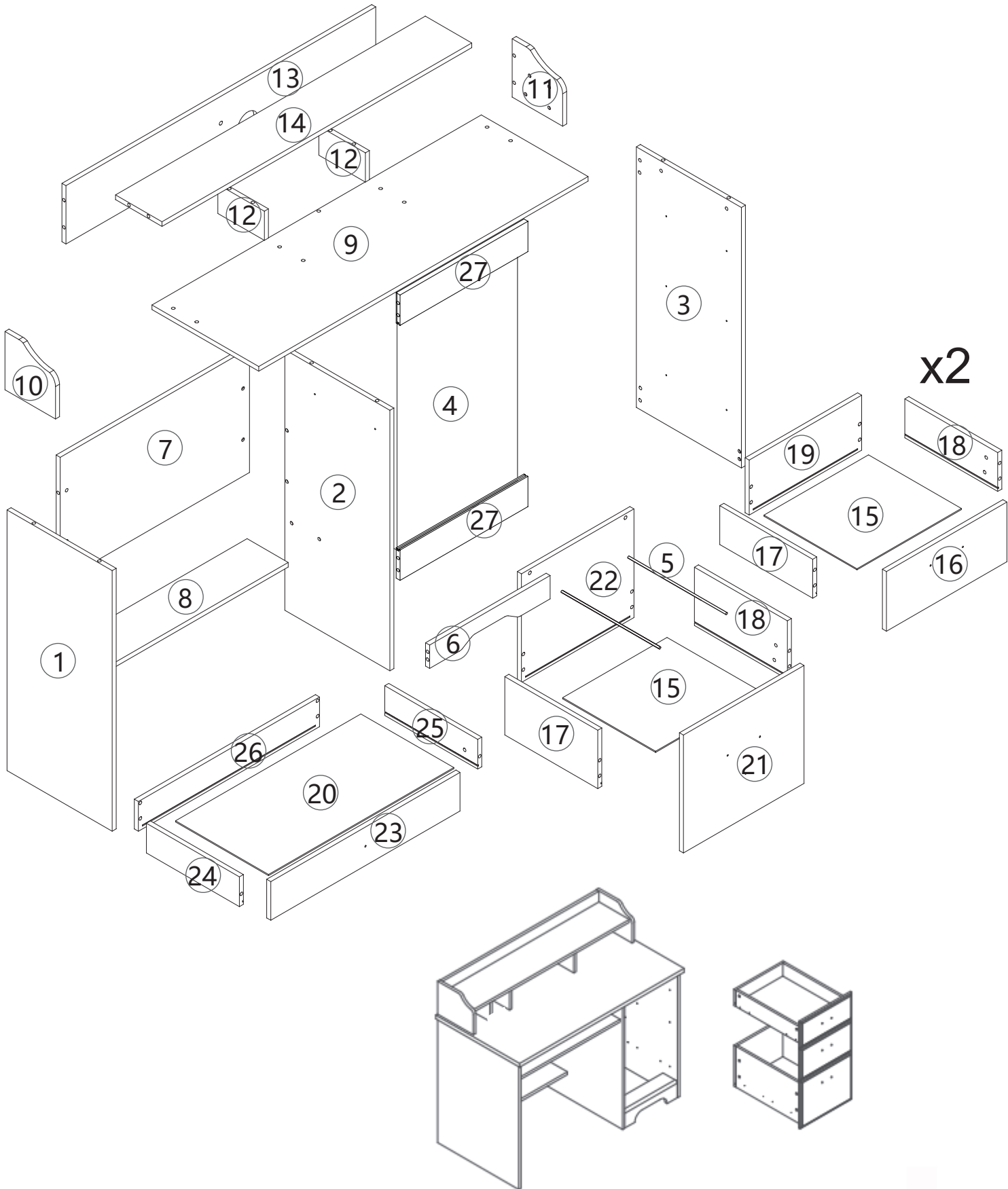
# USER'S MANUAL / MANUAL DE USUARIO

## Computer Desk with Drawers


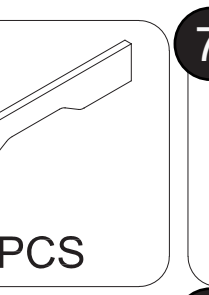
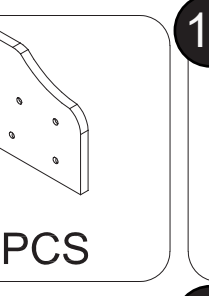
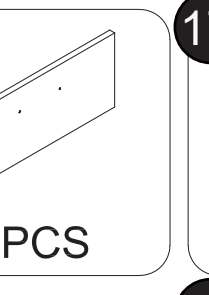
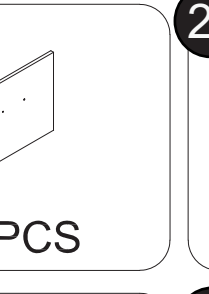

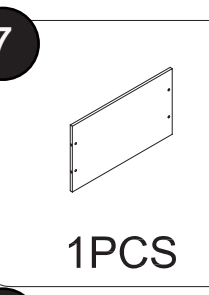
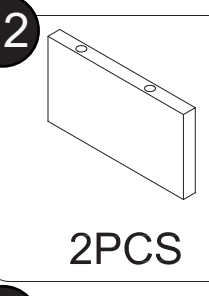
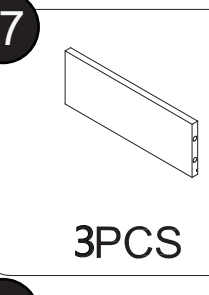
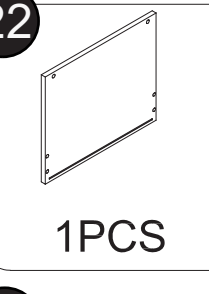
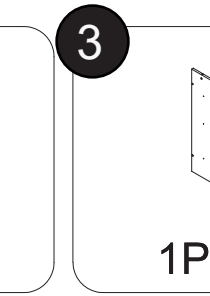
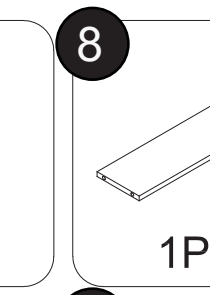
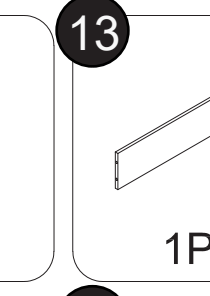
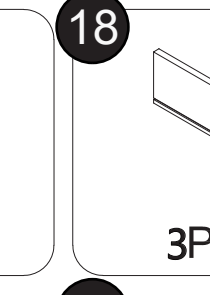
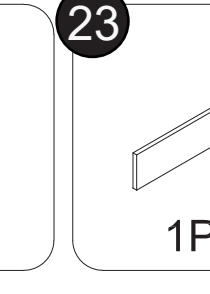
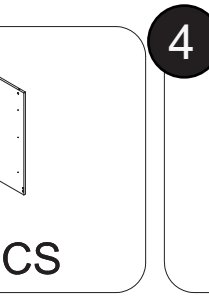
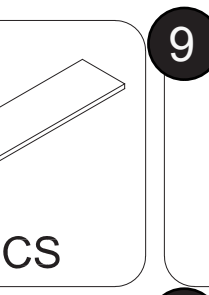
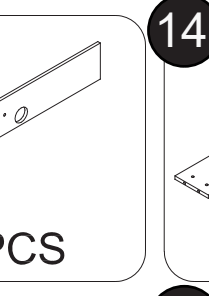
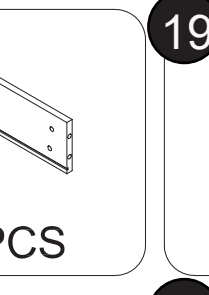
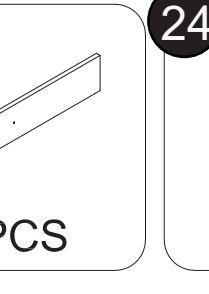
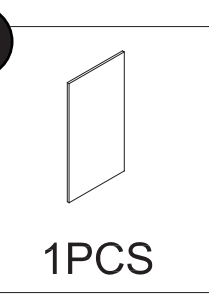

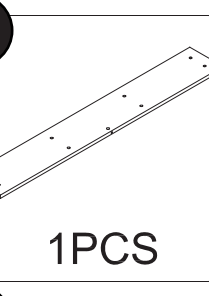
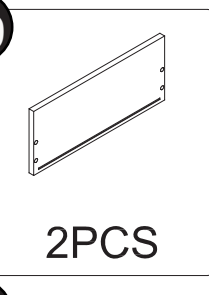
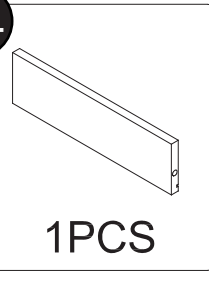

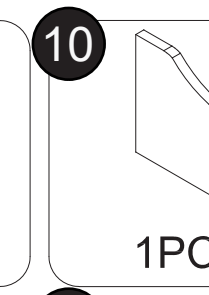


2



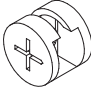

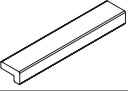
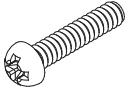

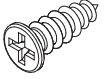


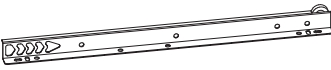
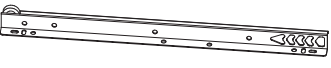



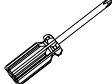
Collect the pieces together



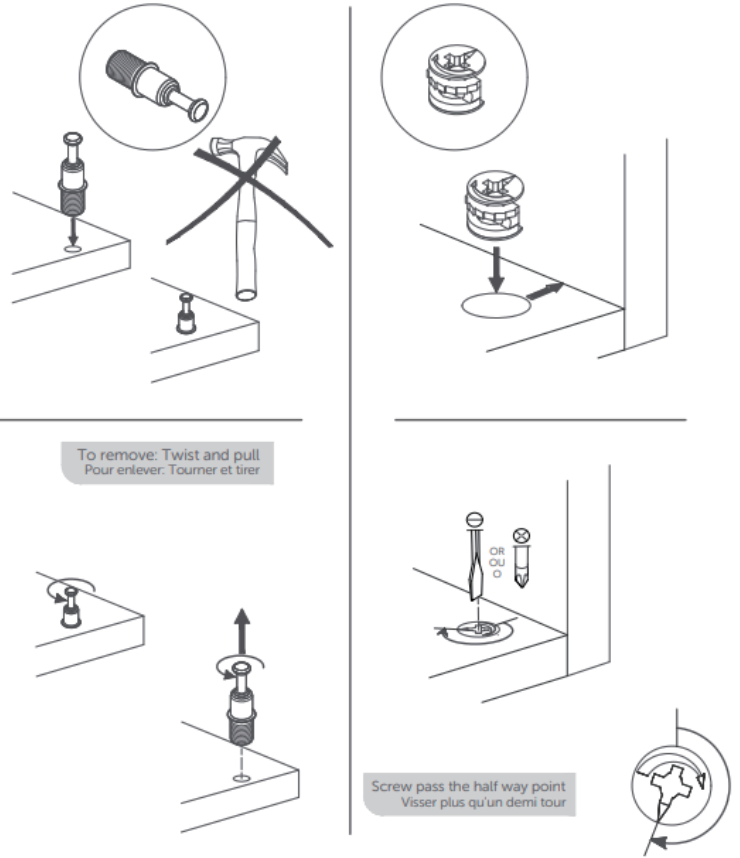
# Parts List

- |  |  |   |  |  |
|--|--|---|--|--|
|  <p>1<br/>1PCS</p>    |  <p>2<br/>1PCS</p>    |  <p>3<br/>1PCS</p>    |  <p>4<br/>1PCS</p>    |  <p>5<br/>2PCS</p>    |
|  <p>6<br/>1PCS</p>    |  <p>7<br/>1PCS</p>    |  <p>8<br/>1PCS</p>    |  <p>9<br/>1PCS</p>    |  <p>10<br/>1PCS</p>   |
|  <p>11<br/>1PCS</p>   |  <p>12<br/>2PCS</p>   |  <p>13<br/>1PCS</p>   |  <p>14<br/>1PCS</p>   |  <p>15<br/>3PCS</p>   |
|  <p>16<br/>2PCS</p>  |  <p>17<br/>3PCS</p>  |  <p>18<br/>3PCS</p>  |  <p>19<br/>2PCS</p>  |  <p>20<br/>1PCS</p>  |
|  <p>21<br/>1PCS</p> |  <p>22<br/>1PCS</p> |  <p>23<br/>1PCS</p> |  <p>24<br/>1PCS</p> |  <p>25<br/>1PCS</p> |
|  <p>26<br/>1PCS</p> |  <p>27<br/>2PCS</p> |   |  |  |

# Hardware List

PART	DESCRIPTION		QTY
A	4*30		16
B	Small eccentric wheel		44
C	Eccentric wheel		10
D	Eccentric bar		54
E	Hold Hands		3
F	Flat head screw		7
G	Threading box		1
H	Small tapping screw		32
J	Left		4
	Right		4
L	Left		4
	Right		4
N	Cork		8
O	Cabinet door handle		1
I	Hole paste		8
K	screwdriver		1

## Things to remember for assembly



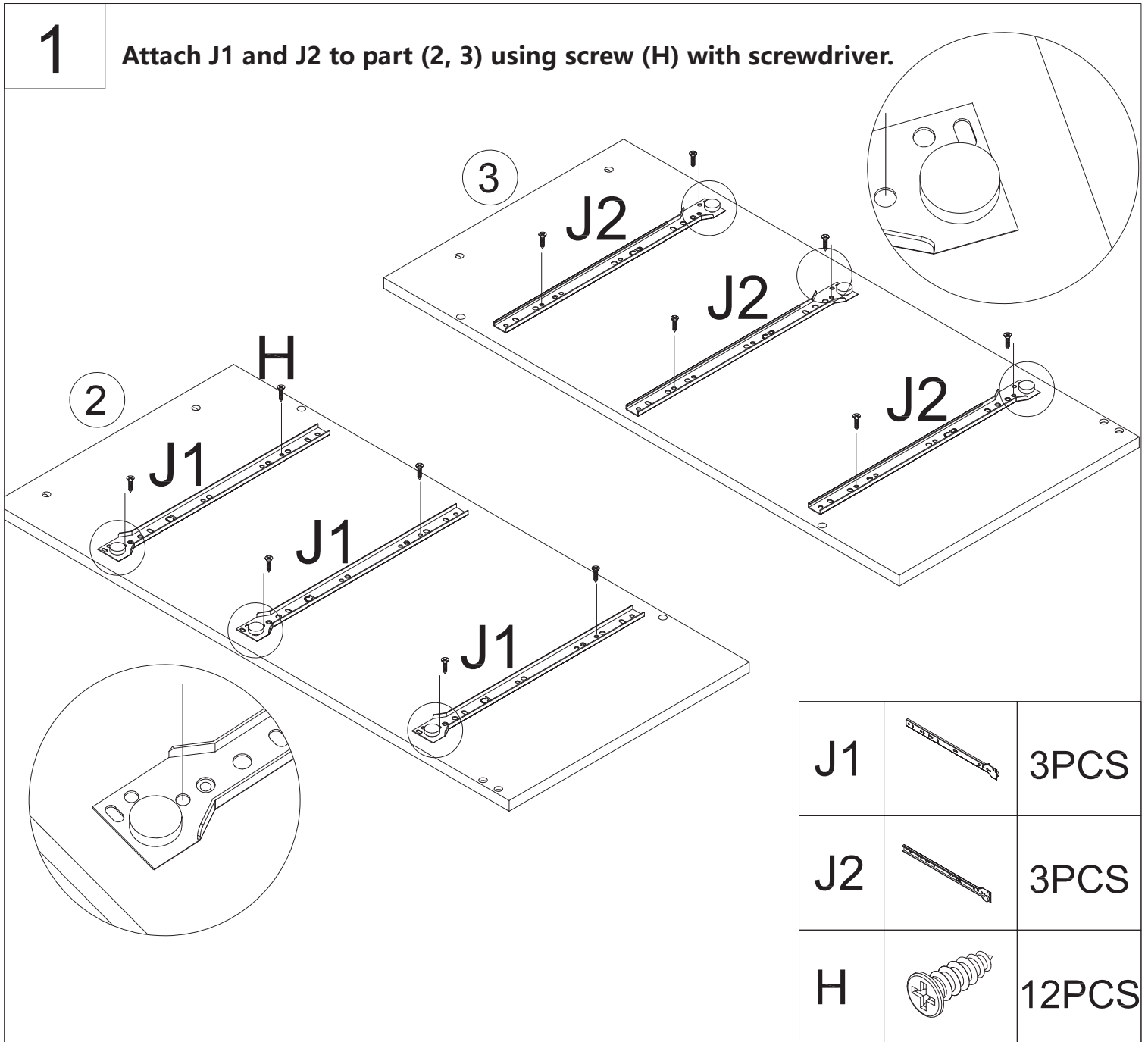
## REPLACEMENT PARTS

We are devoted to provide the best products and services for customers. Please contact us via the '**Contact seller**' button in the detail page of your order for any concern and we'll response as soon as possible.

# Pls make sure all the accessories are complete!

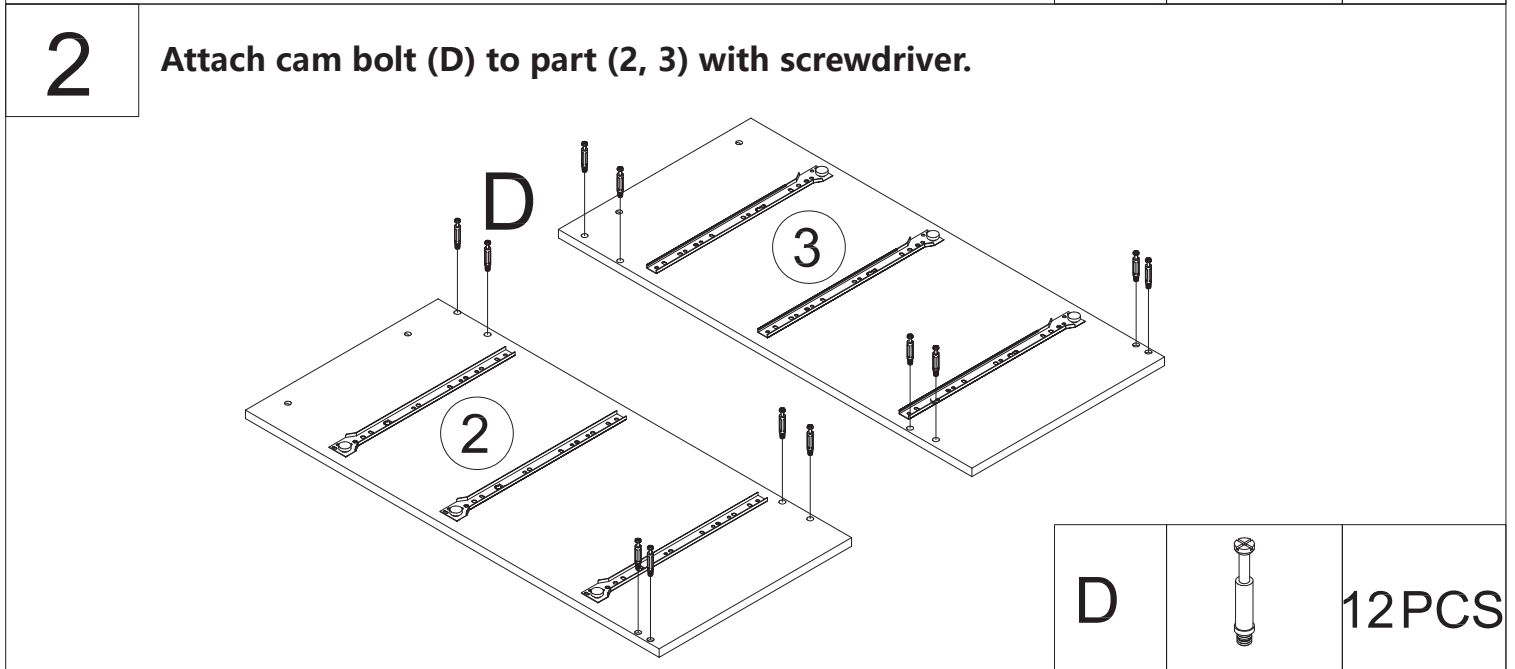
1

Attach J1 and J2 to part (2, 3) using screw (H) with screwdriver.



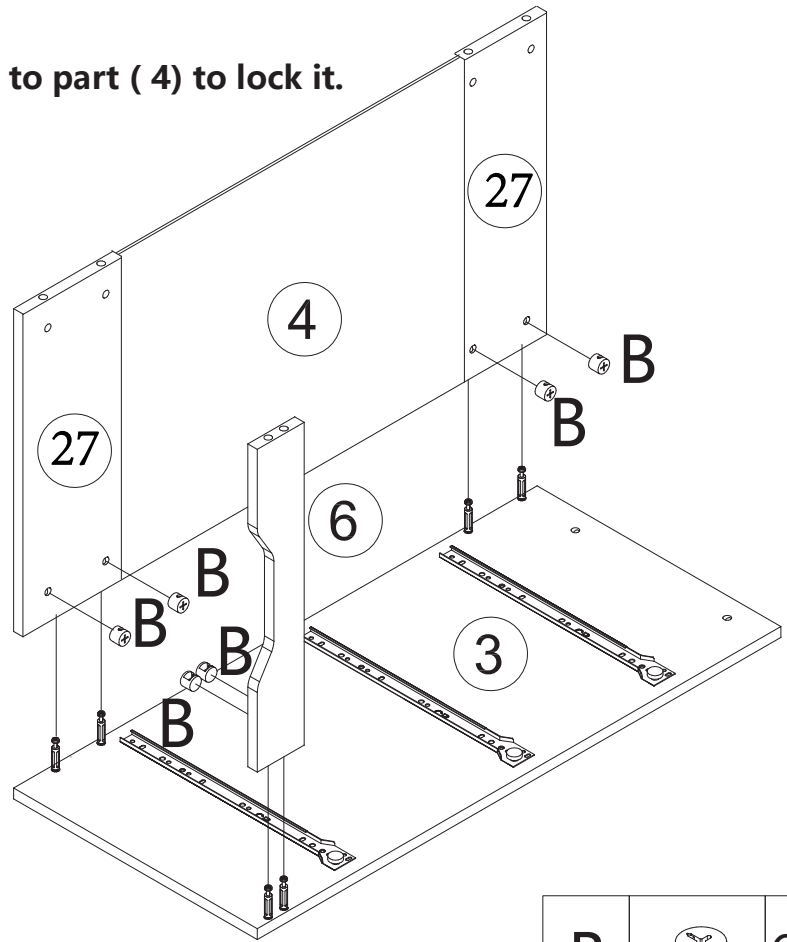
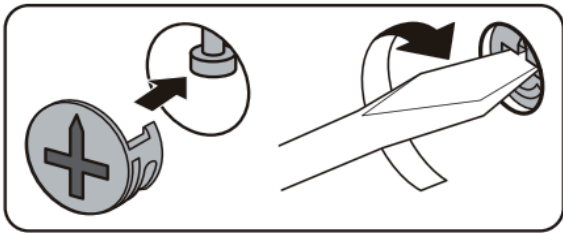
2

Attach cam bolt (D) to part (2, 3) with screwdriver.



3

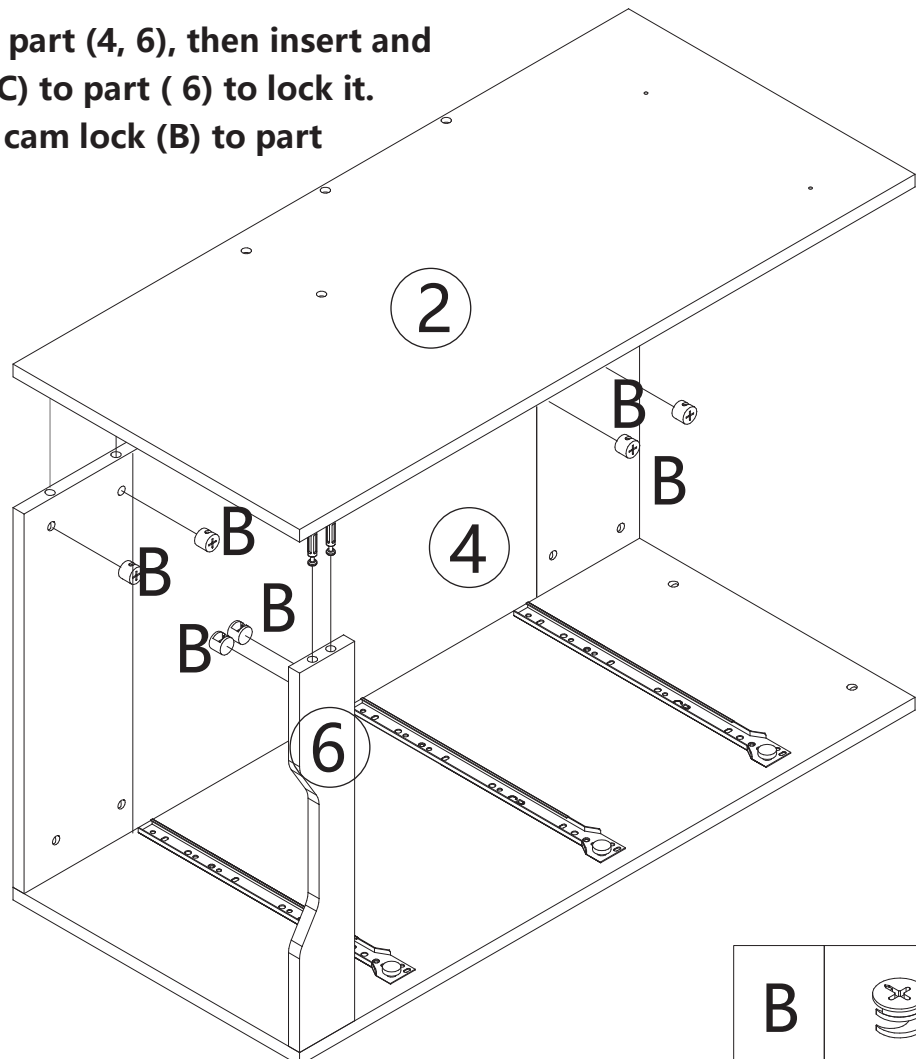
Attach part (4,6) to part (3), then insert and secure cam lock (C) to part (6) to lock it.  
insert and secure cam lock (B) to part (4) to lock it.



B		6PCS
---	--	------

4

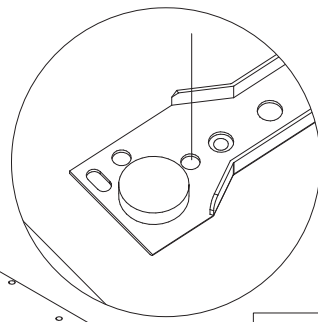
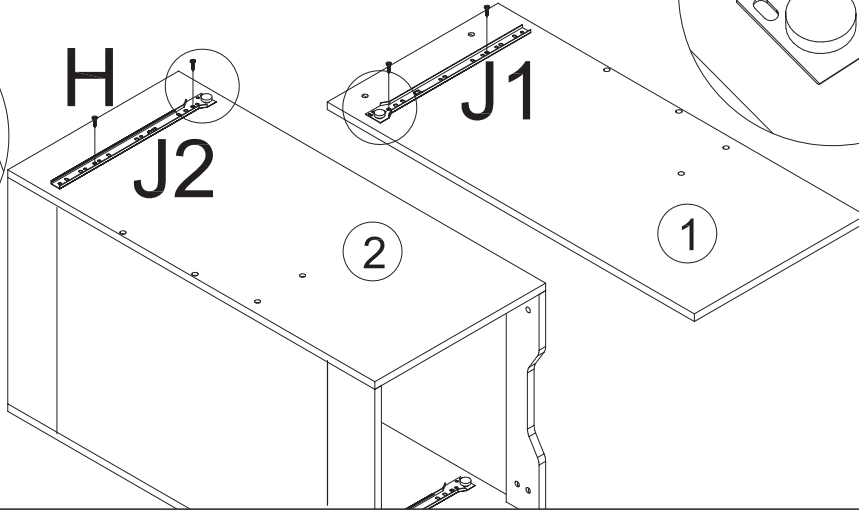
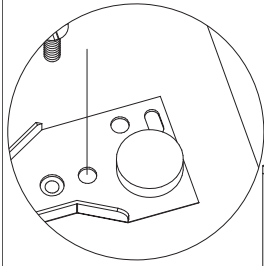
Attach part (2) to part (4, 6), then insert and secure cam lock (C) to part (6) to lock it.  
insert and secure cam lock (B) to part (4) to lock it.



B		6PCS
---	--	------

5

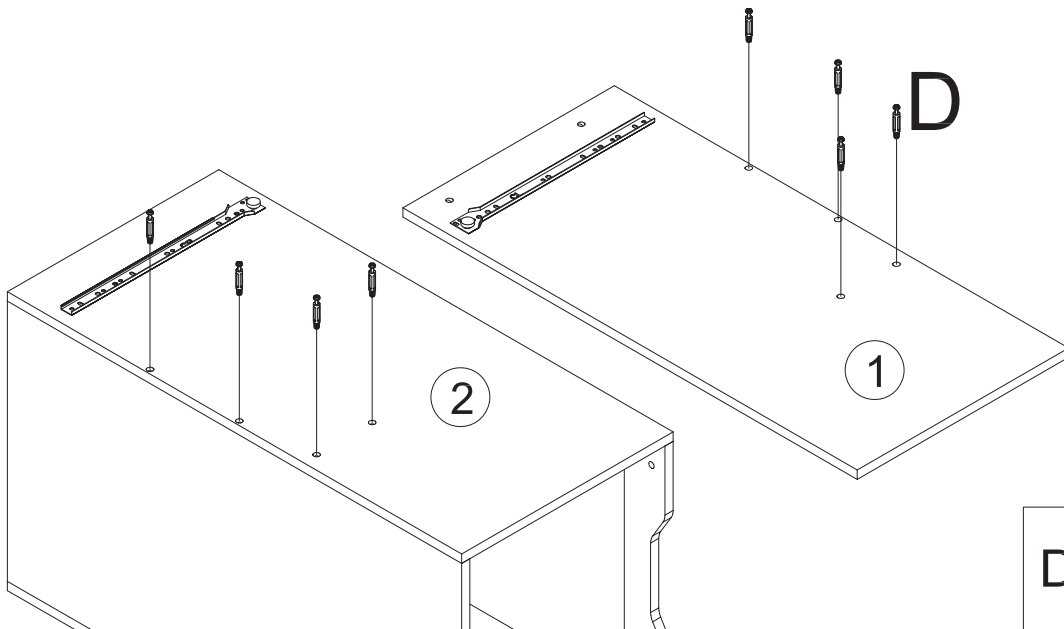
Attach J1 and J2 to part (1, 2) using screw (H) with screwdriver.



J1		1PCS
J2		1PCS
H		4PCS

6

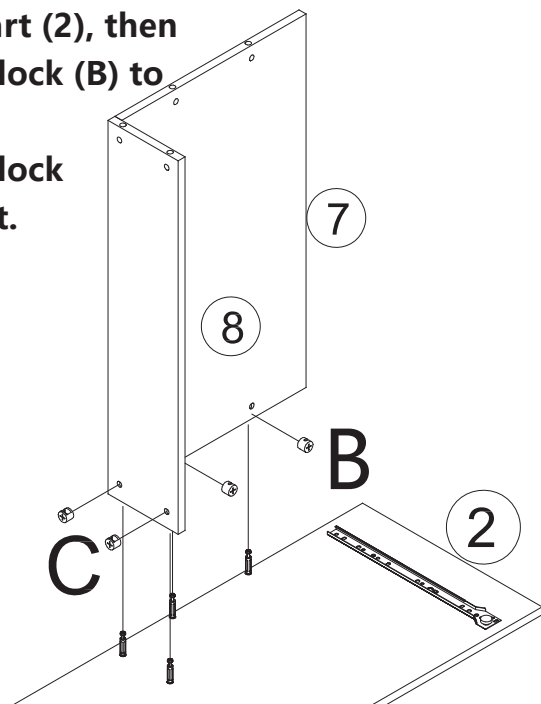
Attach cam bolt (D) to part (1, 2) with screwdriver.



D		8PCS
---	--	------

7

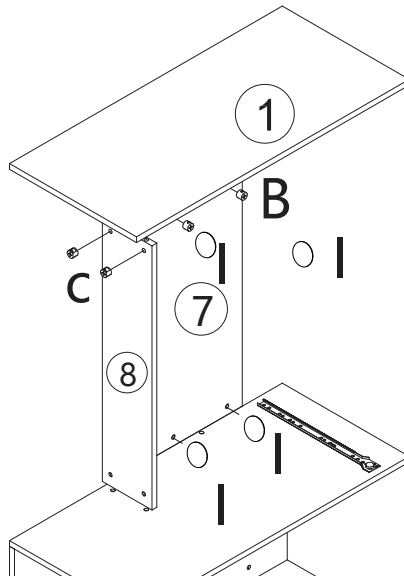
Attach part (7, 8) to part (2), then insert and secure cam lock (B) to part (7) to lock it.  
insert and secure cam lock (C) to part (8) to lock it.



B		2PCS
C		2PCS

8

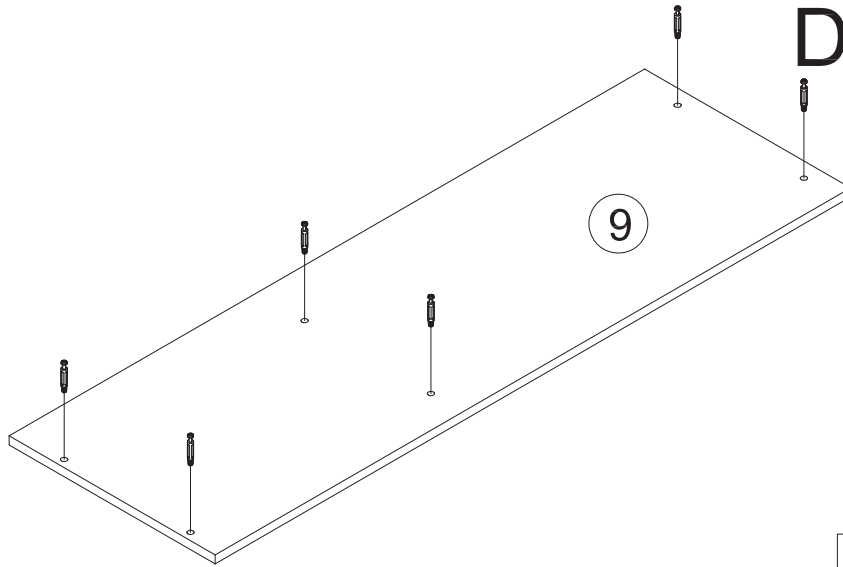
Attach part (1) to part (7, 8), then insert and secure cam lock (B) to part (7) to lock it. insert and secure cam lock (C) to part (8) to lock it.



I		4PCS
B		2PCS
C		2PCS

9

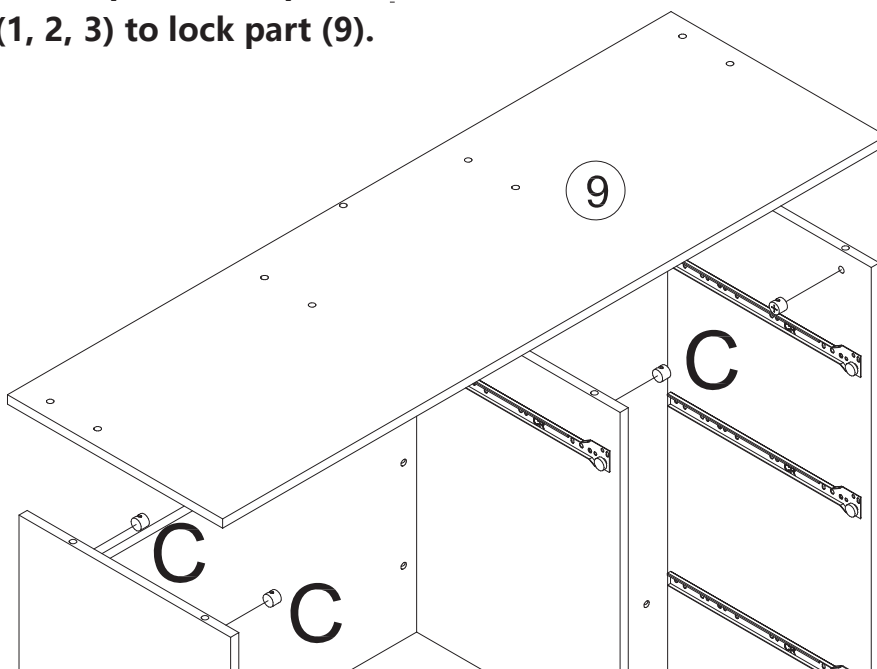
Attach cam bolt (D) to part (9) with screwdriver.



D		6PCS
---	--	------

10

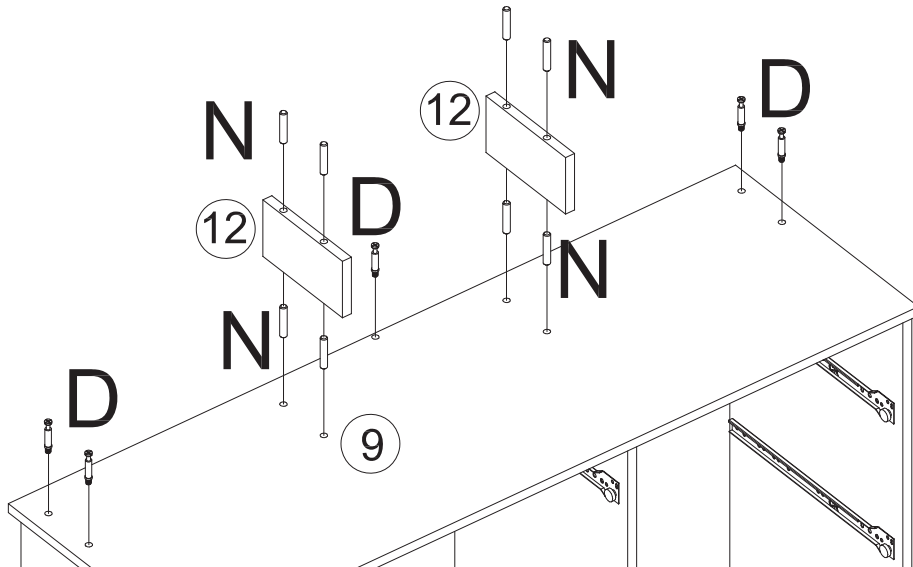
Attach part (9) to part (1, 2, 3), then insert and secure cam lock (C) to part (1, 2, 3) to lock part (9).


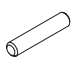


C		6PCS
---	--	------

# 11

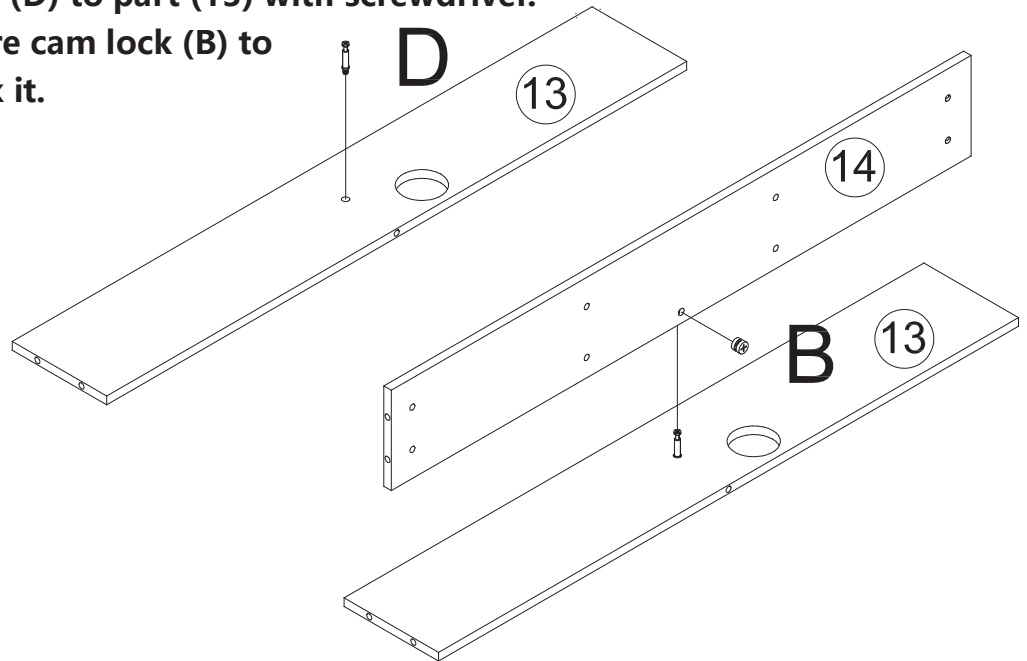
Attach cam bolt (D) to part (9) with screwdriver.  
Insert wooden dowel (N) into part (9, 12).





D		5PCS
N		8PCS

# 12

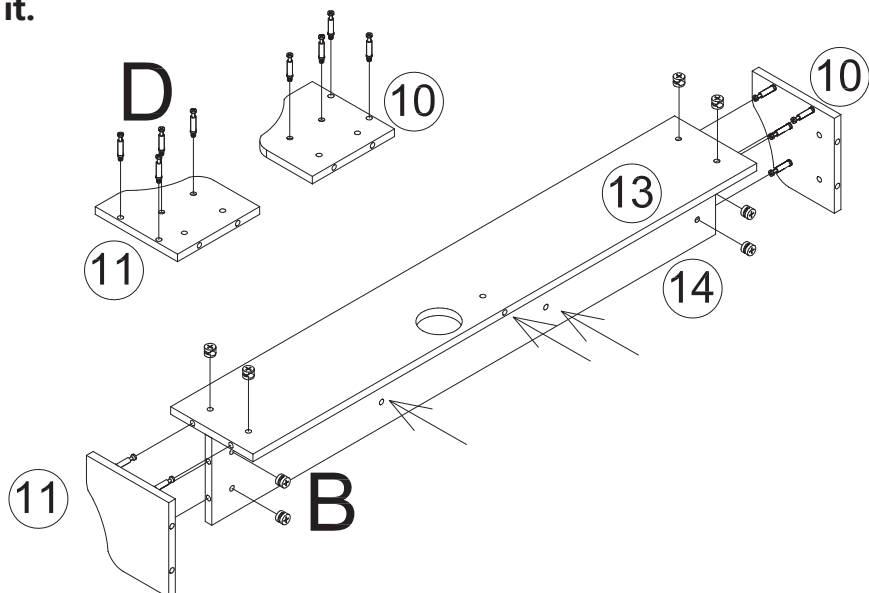
Attach cam bolt (D) to part (13) with screwdriver.  
Insert and secure cam lock (B) to part (14) to lock it.





D		1PCS
B		1PCS

# 13

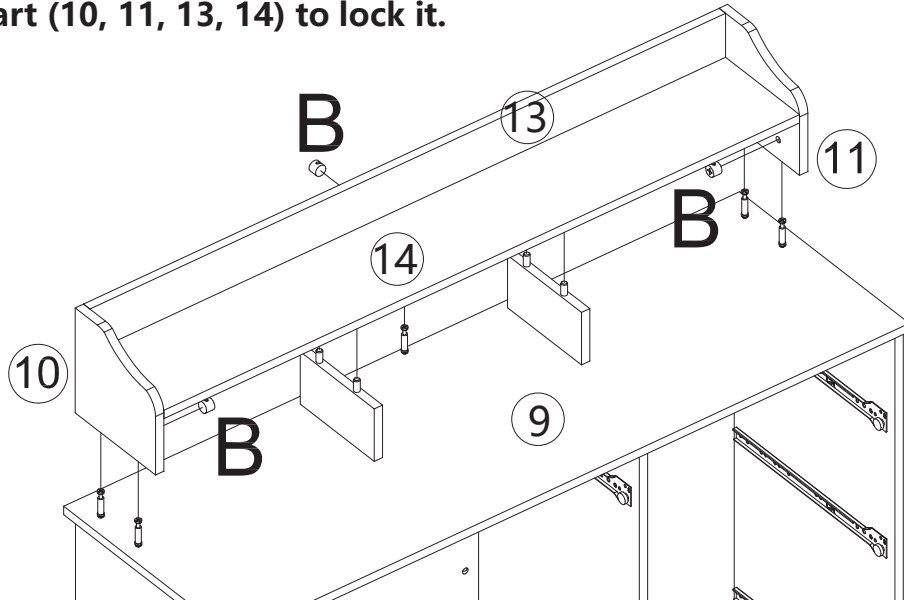
Attach cam bolt (D) to part (10, 11) with screwdriver.  
Attach part (10, 11) to part (13, 14), then insert and secure cam lock (B) to part (13, 14) to lock it.



D		8PCS
B		8PCS

# 14

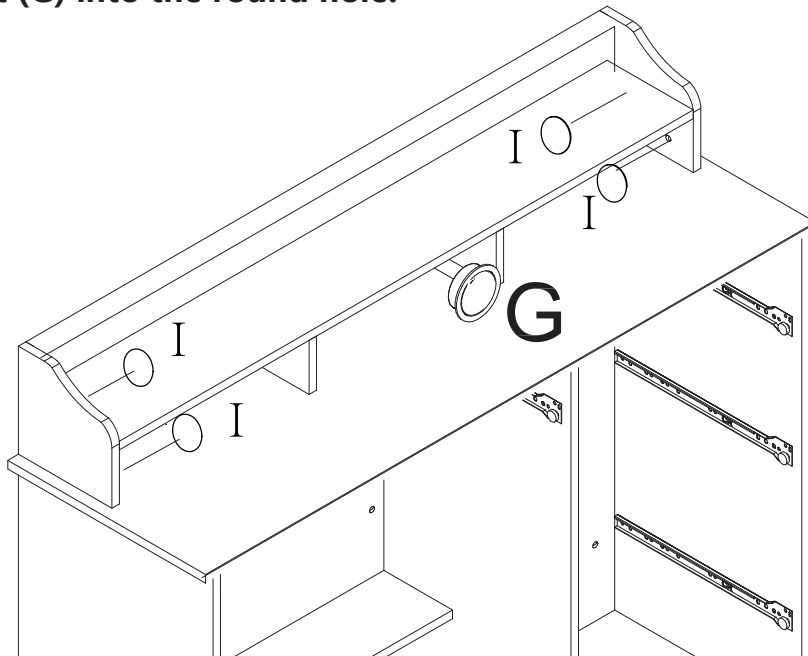
Attach part (10, 11, 13, 14) to part (9), then insert and secure cam lock (B) to part (10, 11, 13, 14) to lock it.



B		5PCS
---	--	------

# 15

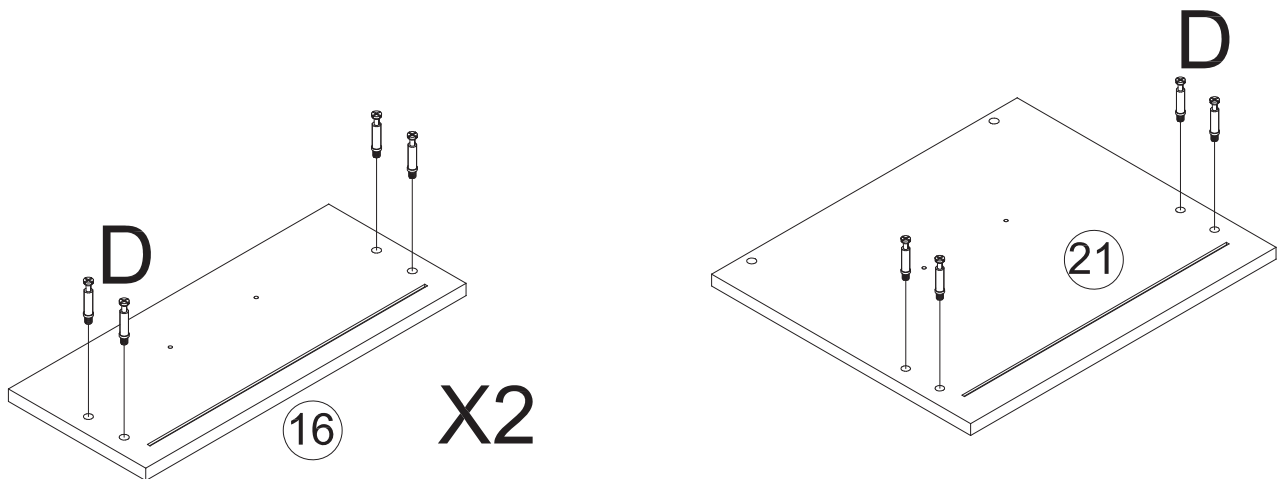
Place part (G) into the round hole.



I		4PCS
G		1PCS

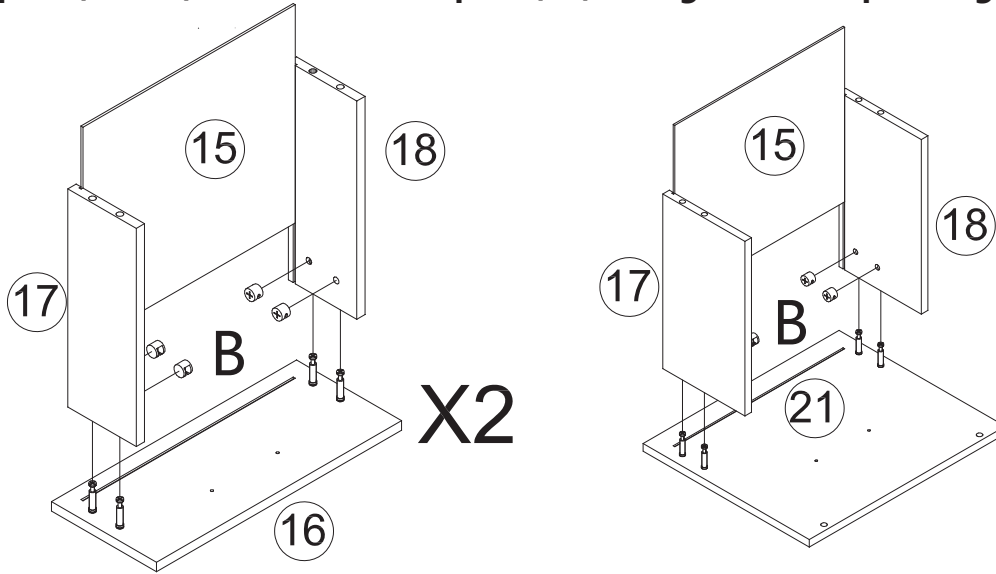
# 16


Attach cam bolt (D) to part (16, 21) with screwdriver.



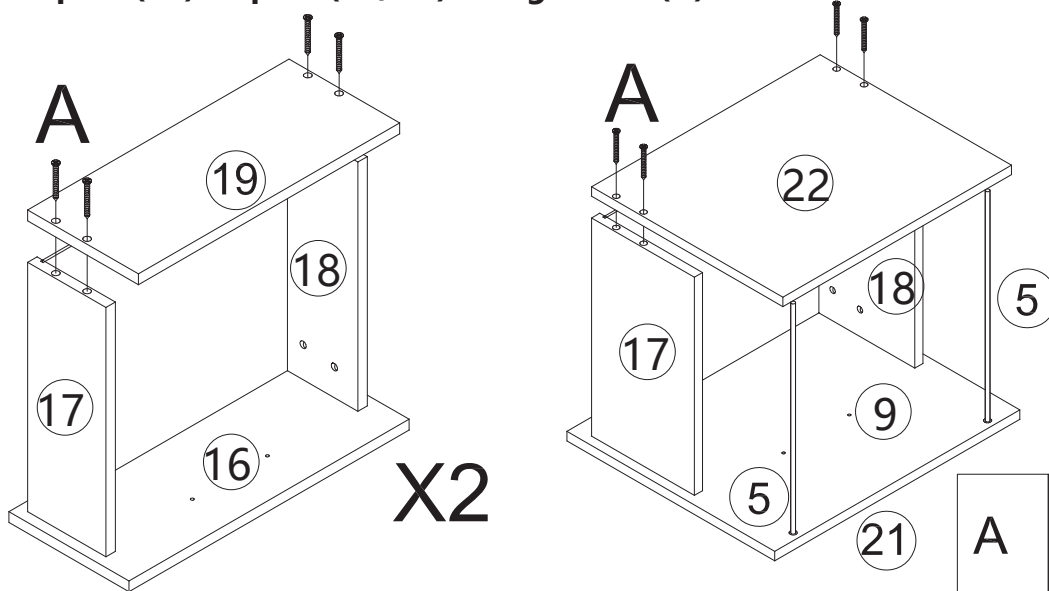
D		12PCS
---	--	-------

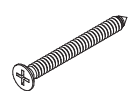
**17** Attach part (17, 18) to part (16, 21), then insert and secure cam lock (B) to part (17, 18) to lock it. Slide part (15) into grooves as per diagram.



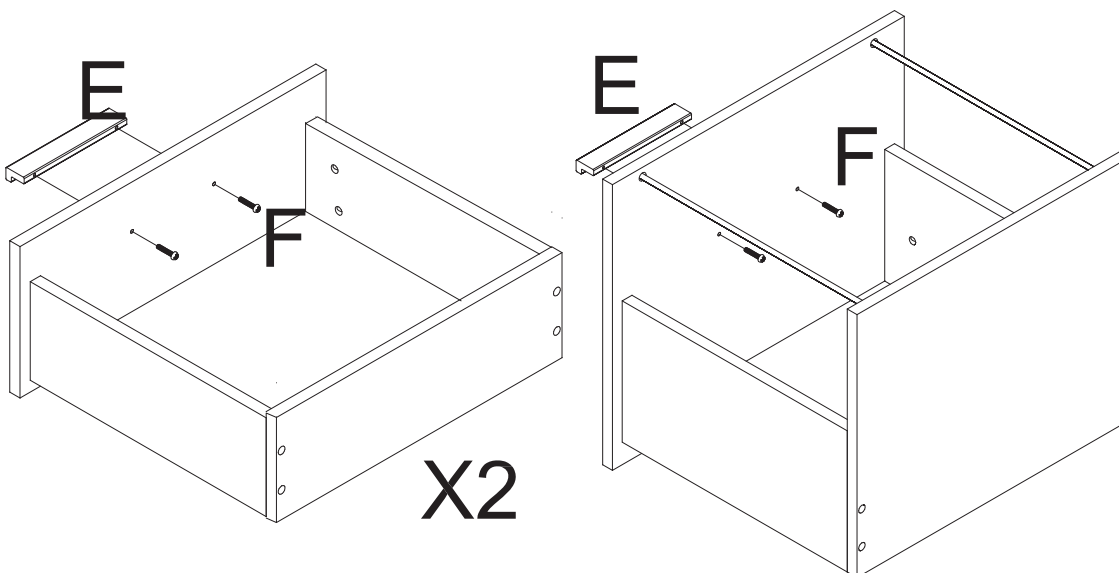
B		12PCS
---	---	-------

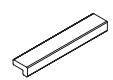

**18** Attach part (19) to part (17, 18) using screw (A). Place part (5) into part (22) and (21). Attach part (22) to part (17, 18) using screw (A).



A		12PCS
---	---	-------

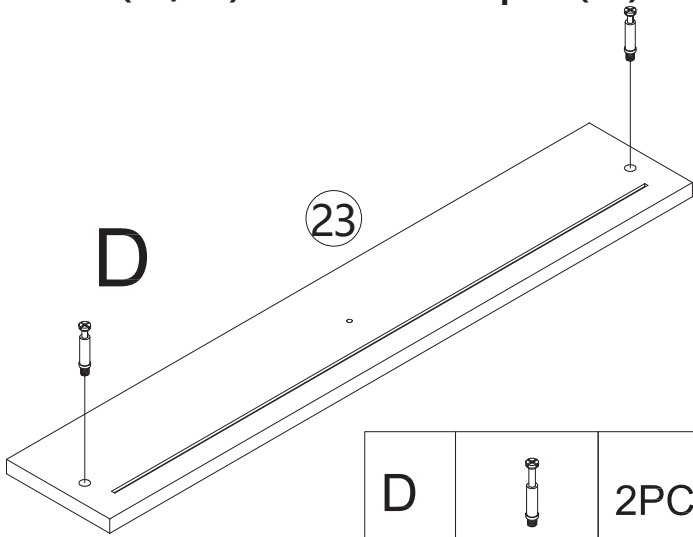
**19** Attach handle (E) to part (16, 21) using screw (F).



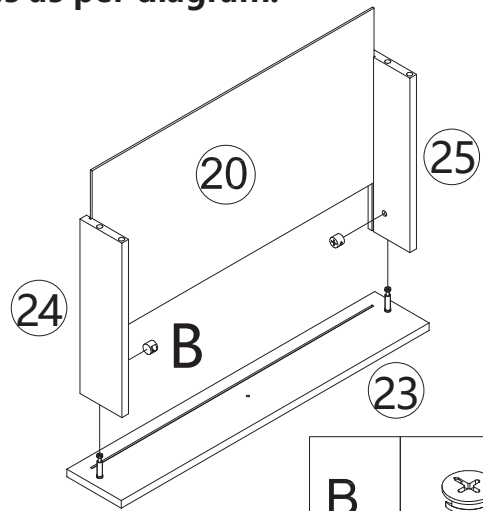
E		3PCS
F		6PCS

# 20

Attach cam bolt (D) to part (23) with screwdriver.  
 Attach part (24, 25) to part (253), then insert and secure cam lock (B) to part (24, 25) to lock it. Slide part (20) into grooves as per diagram.



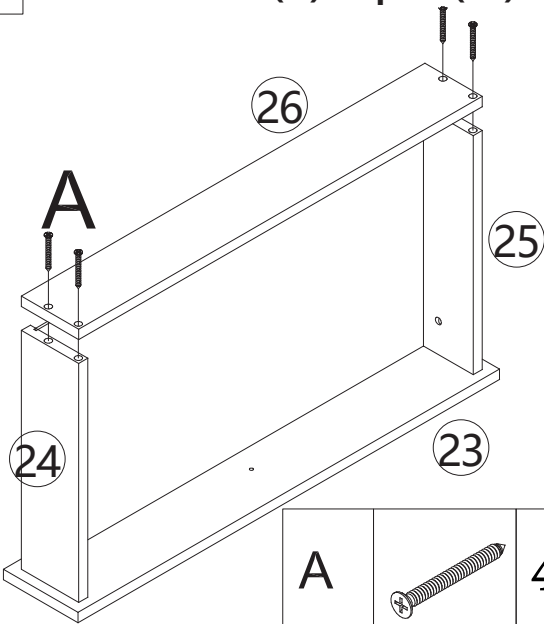
D		2PCS
---	--	------



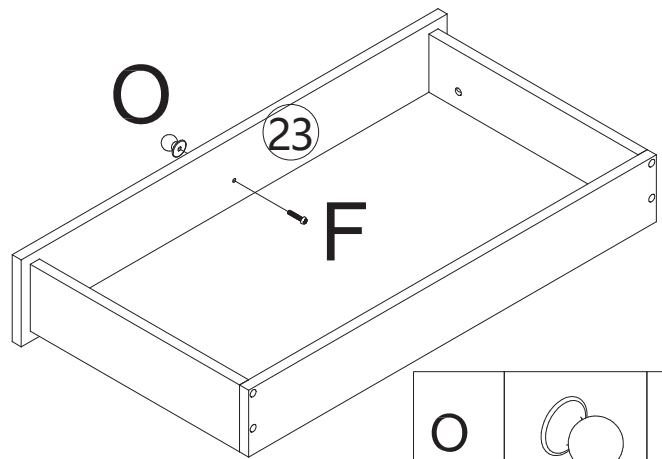
B		2PCS
---	--	------

# 21

Attach part (26) to part (24, 25) using screw (A).  
 Attach handle (O) to part (23) using screw (F).



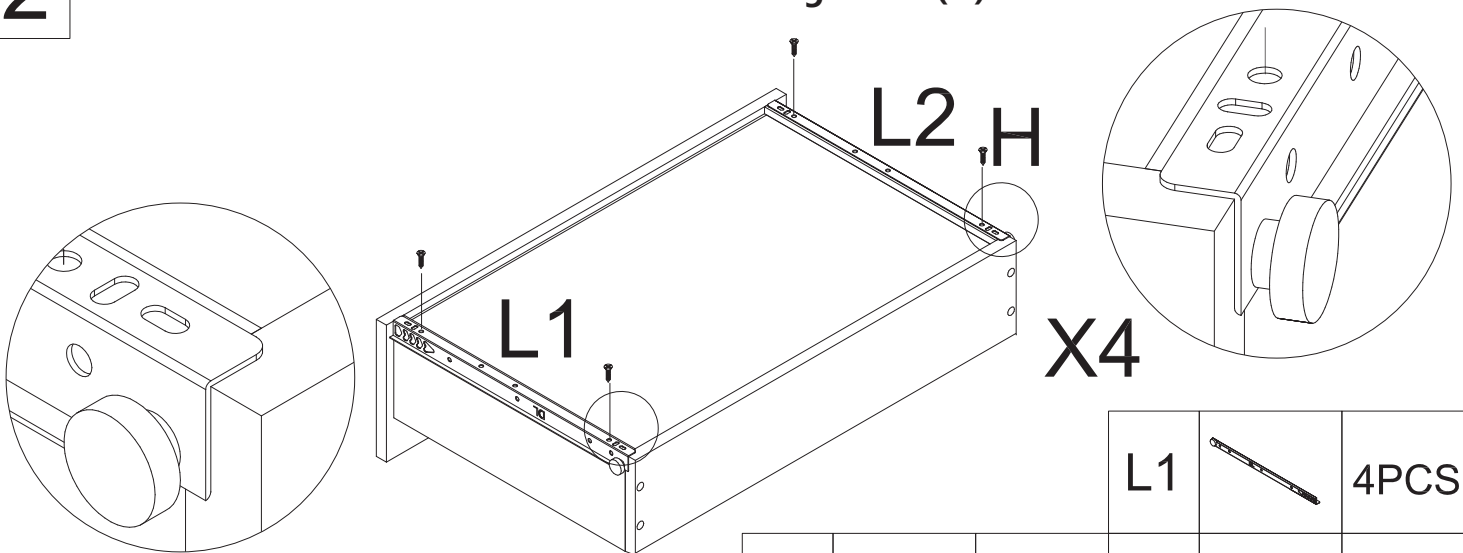
A		4PCS
---	--	------



O		1PCS
F		1PCS

# 22

Attach L1 and L2 to 4 drawers' bottom using screw (H).



L1		4PCS
H		16PCS
L2		4PCS

23

Place 4 drawers into the desk as per diagram.  
Final Assembly!

