

## Curva 5150

### Features

- Double Towel Hook / Towel Holder
- Available in 2 Finishes: White and Matte Black
- Aluminum Base
- Premium Metal Construction for Durability and Reliability
- Wall Mount Installation
- Installation Hardware Included
- Designer Collection
- Made in Italy



### SKU# | Option:


- Curva 5150.09 | White
- Curva 5150.18 | Matte Black

### Finishes:

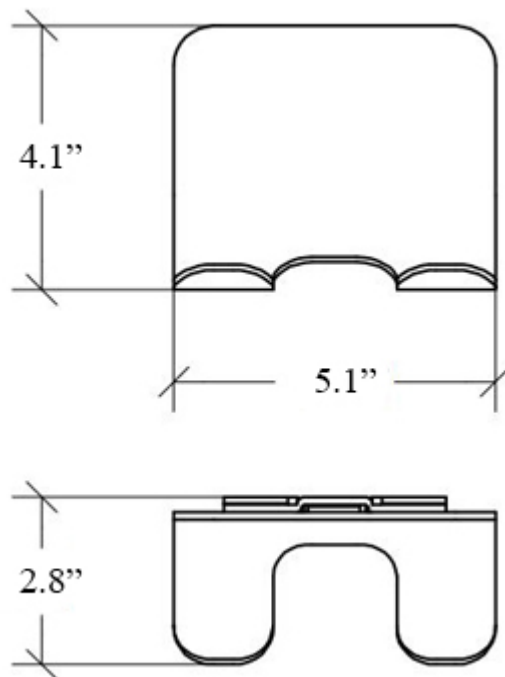
 White

 Matte Black

\* WS Bath Collections reserves the right to revise dimensions or information on this sheet without notice

<b>Collection</b> Curva	<b>Model  </b> Curva 5150	<b>Dimensions Metric</b> <i>1 inch = 2.54 cm</i> <i>1 inch = 25.4 mm</i>	 1051 Lea Drive - Collegeville, PA 19426 Tel. 215 513 9400 - Fax 610 831 0215 <a href="http://www.ws bathcollections.com">www.ws bathcollections.com</a> - <a href="mailto:info@ws bathcollections.com">info@ws bathcollections.com</a>
----------------------------	------------------------------	--	---

# Product Specs Sheets



Collection  
Curva

Model |  
Curva 5150

Dimensions Metric  
*1 inch = 2.54 cm*  
*1 inch = 25.4 mm*

**WS**<sup>®</sup>  
**BATH**  
**COLLECTIONS**

1051 Lea Drive - Collegeville, PA 19426  
Tel. 215 513 9400 - Fax 610 831 0215  
[www.ws bathcollections.com](http://www.ws bathcollections.com) - [info@ws bathcollections.com](mailto:info@ws bathcollections.com)