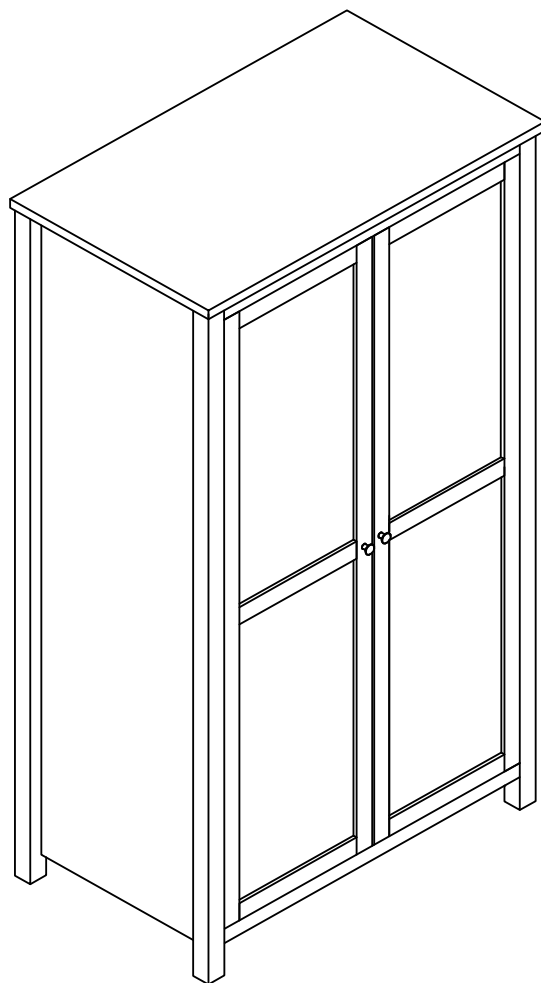


DOUBLE WARDROBE

Instruction manual





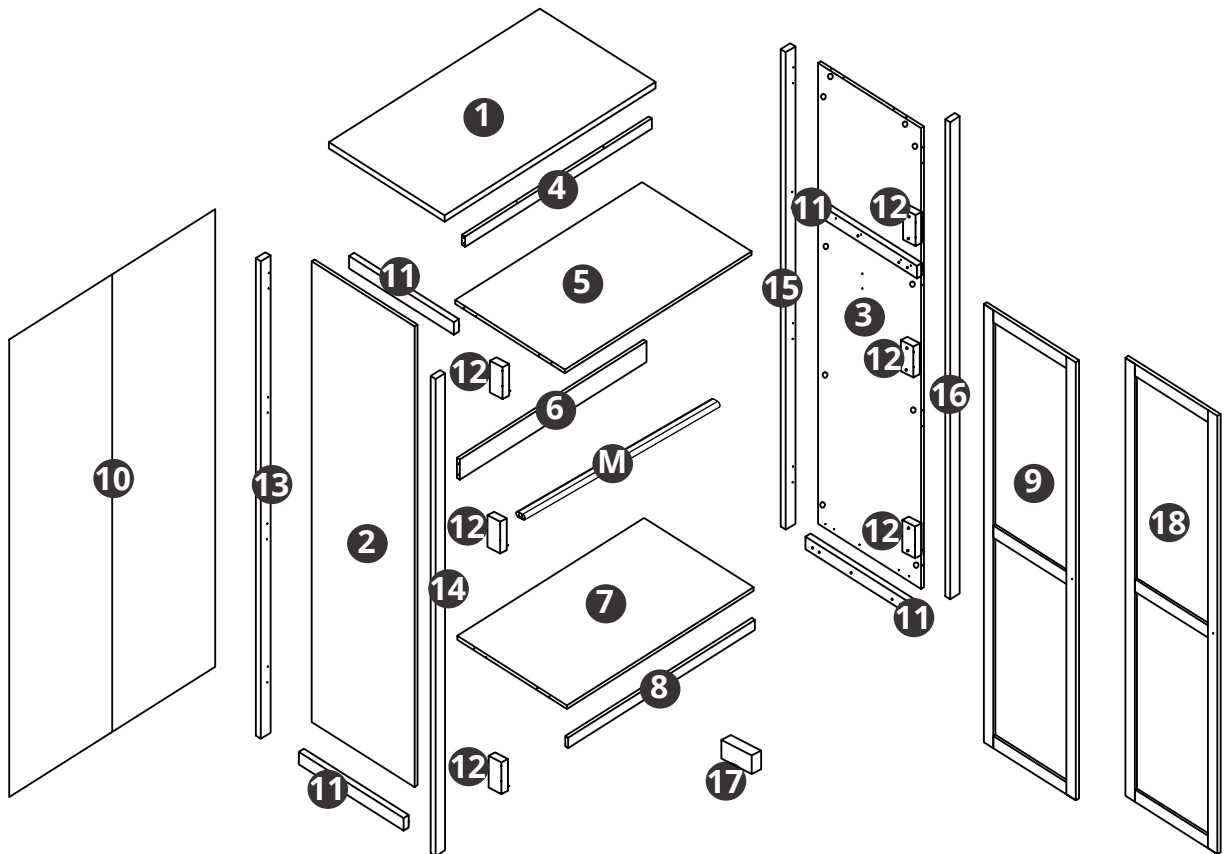
SAFETY AND CARE ADVICE

PLEASE READ THESE INSTRUCTIONS CAREFULLY AND KEEP FOR FUTURE

- *Check you have all the components and tools listed on pages 2 or 3.*
- *Remove all fittings from the plastic bags and separate them into their groups.*
- *Keep children and animals away from the work area, small parts could choke if swallowed.*
- *Make sure you have enough space to layout the parts before starting.*
- *Do not stand or put weight on the product, this could cause damage.*
- *Assemble on a soft level surface to avoid damaging the unit or your floor (use opened out unit carton).*
- *We do not recommend the use of power drill/drivers for inserting screws, as this could damage the unit. Only use hand screwdrivers.*

COMPONENTS — PANELS

Please check you have all the panels listed below:

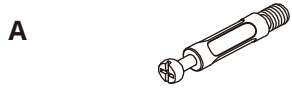


PANEL LIST

1	Top Panel	x1	14	Left Front Frame	x1
2	Left Side Panel	x1	15	Right Back Frame	x1
3	Right Side Panel	x1	16	Right Front Frame	x1
4	Top Cross Bar	x1	17	Bottom Support Leg	x1
5	Shelf Panel	x1	18	Door Front Panel	x1
6	Back support Panel	x1			
7	Bottom Panel	x1			
8	Lower Cross Bar	x1			
9	Door Front Panel	x1			
10	Back Panel	x1			
11	Inner Cross Bar	x4			
12	Inner Support Bar	x6			
13	Left Back Frame	x1			

COMPONENTS — FITTINGS

Please check you have all the fittings listed below:



Peg M6*35mm x35



Lock M15*12mm x35



Dowel M8*30mm x44



Handles x2



Screw M4*35mm x24



Screw M3.5*12mm x38



Pin x48



Plastic Feet x5



Screw M4*12mm x2



Safety Device x2



Screw M4*20mm x2



Full Overly Door Hinge x6



Full Overly Door Hinge x1



Screw M4*40mm x2

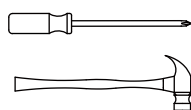


Hole cover x2



Door stop x1



TOOLS NEEDED
(We don't provide)

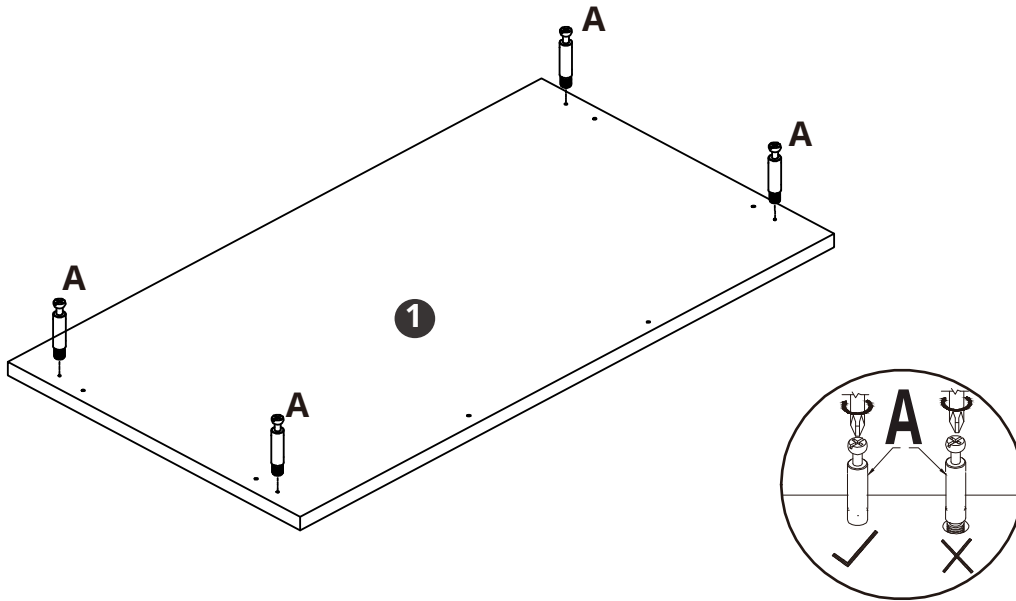


Phillips Screwdriver x 1
Hammer x 1



ASSEMBLY INSTRUCTIONS

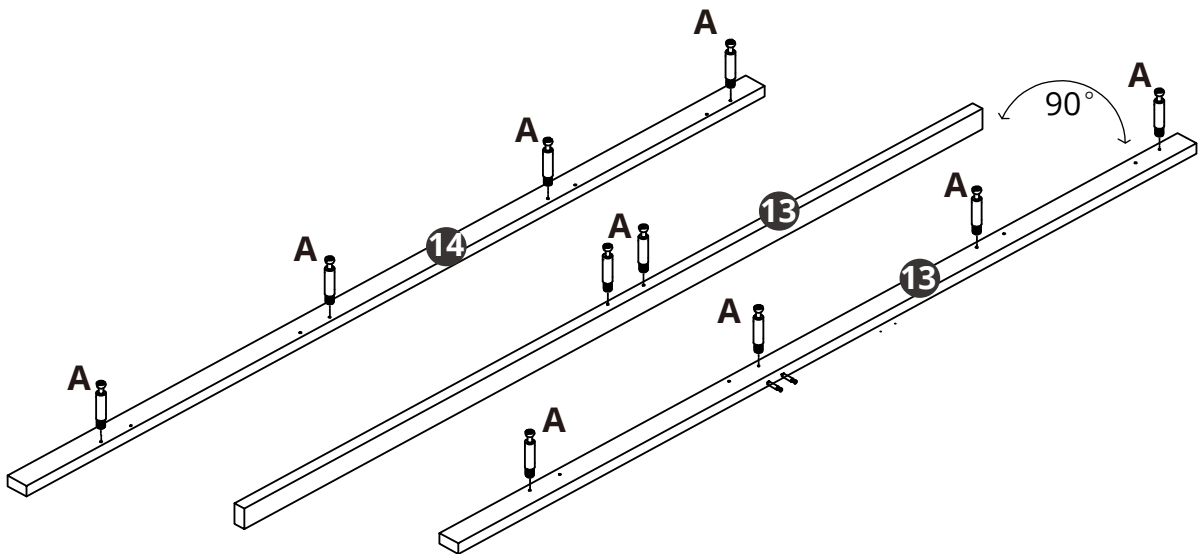
Step 1

A		4	
---	--	---	---





Step 2

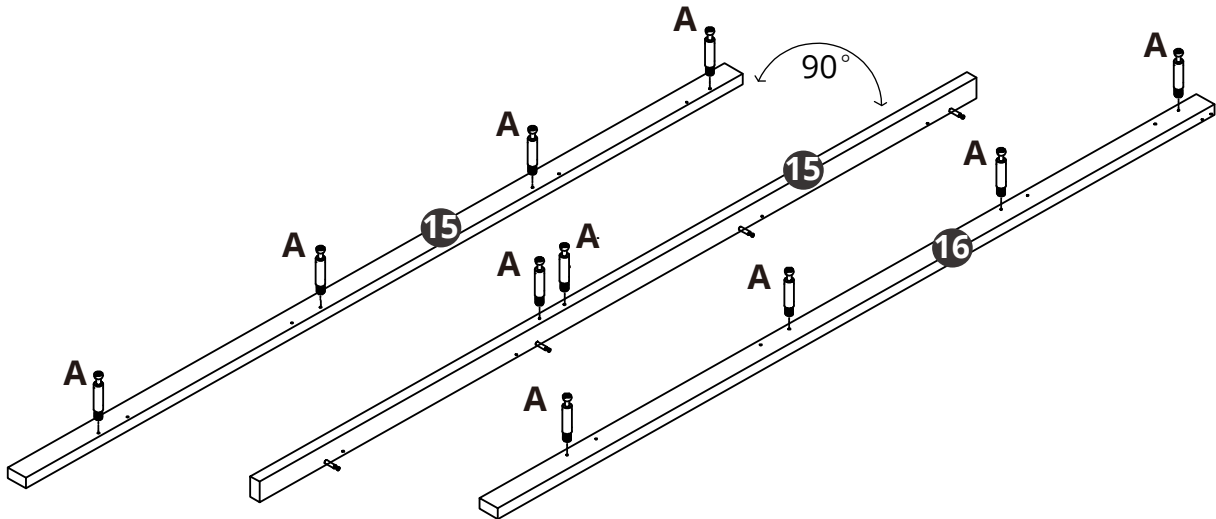
A		10	
---	--	----	---






ASSEMBLY INSTRUCTIONS

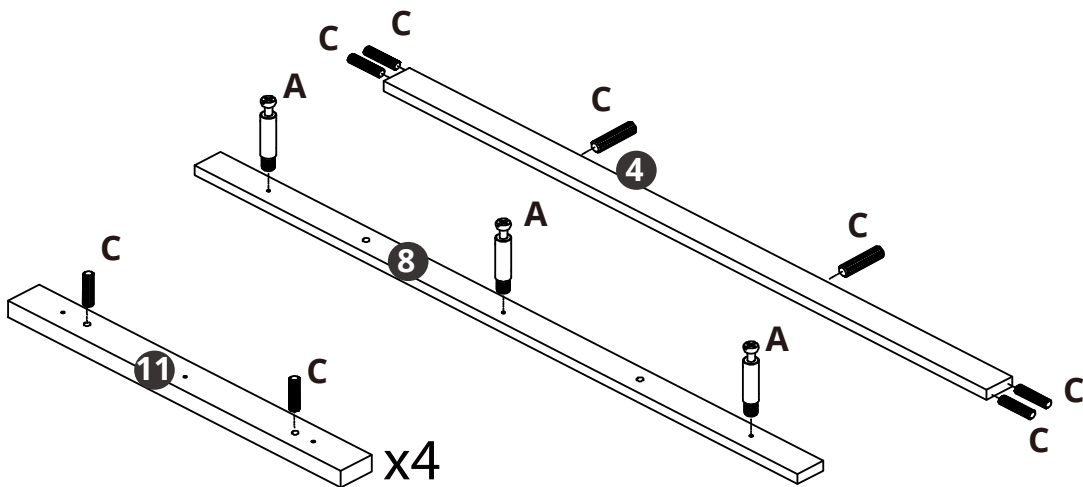
Step 3

A		10	
---	--	----	---




Step 4

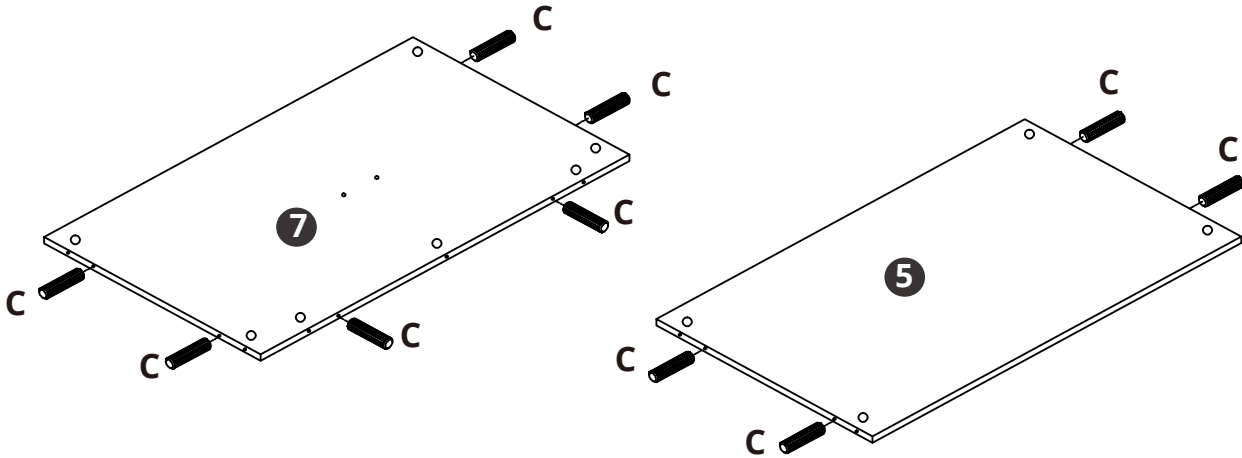
A		3	
C		14	




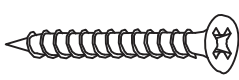

ASSEMBLY INSTRUCTIONS

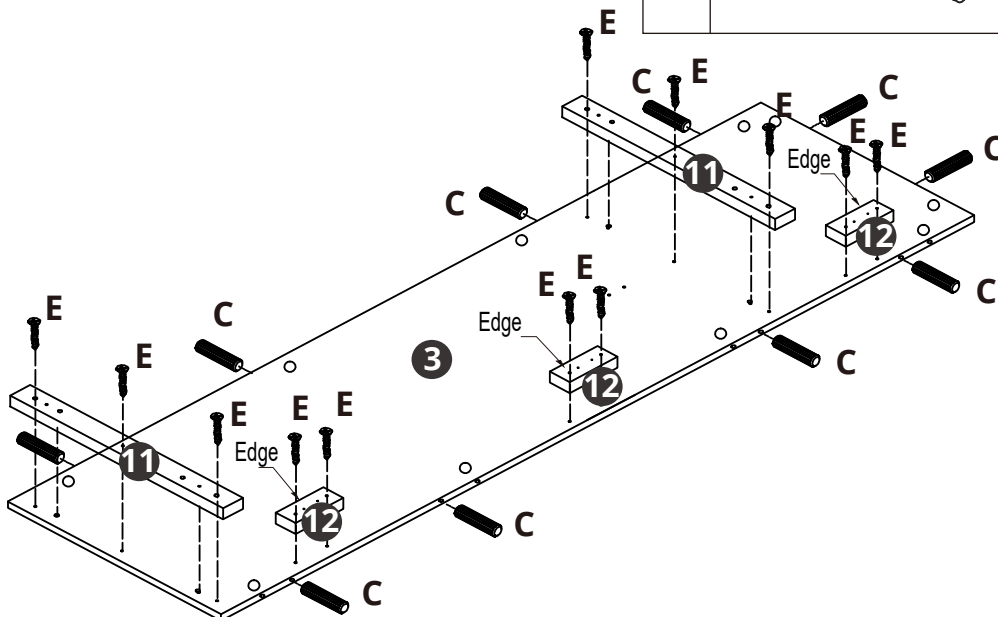
Step 5

C		10	
---	---	----	--




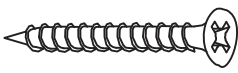

Step 6

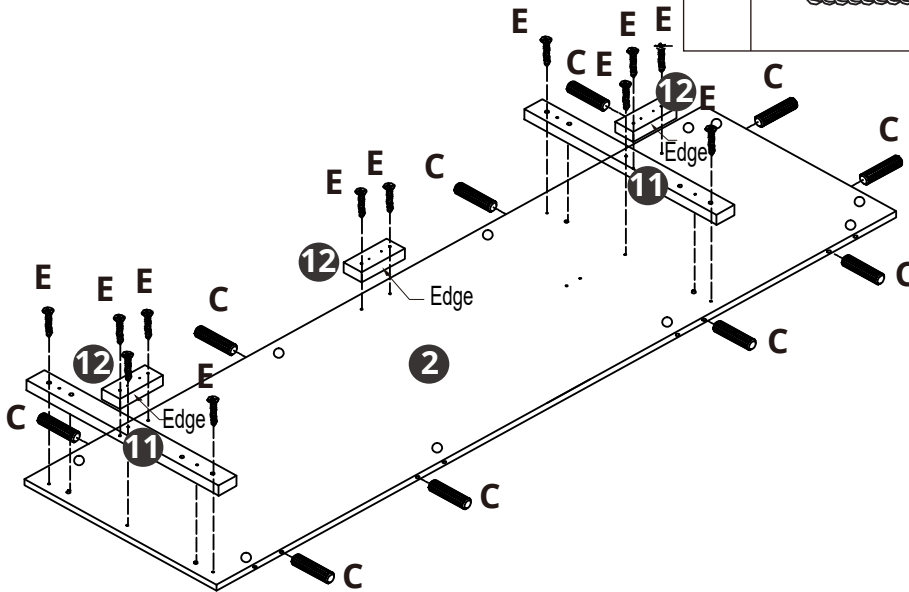
C		10	
E		12	





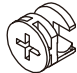

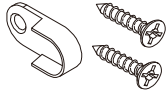

ASSEMBLY INSTRUCTIONS

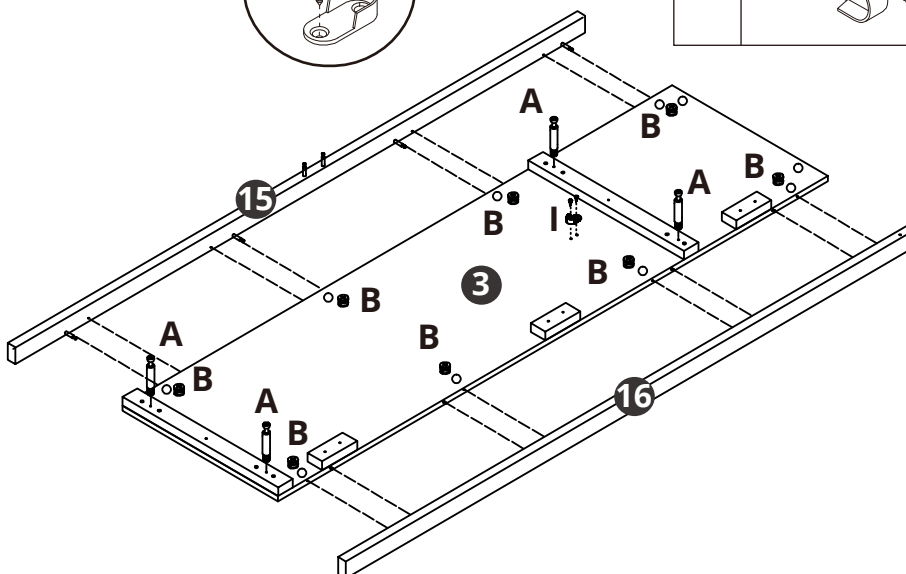
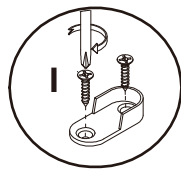
Step 7

C		10	
E		12	



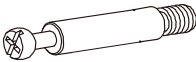



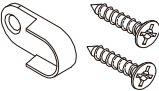

Step 8

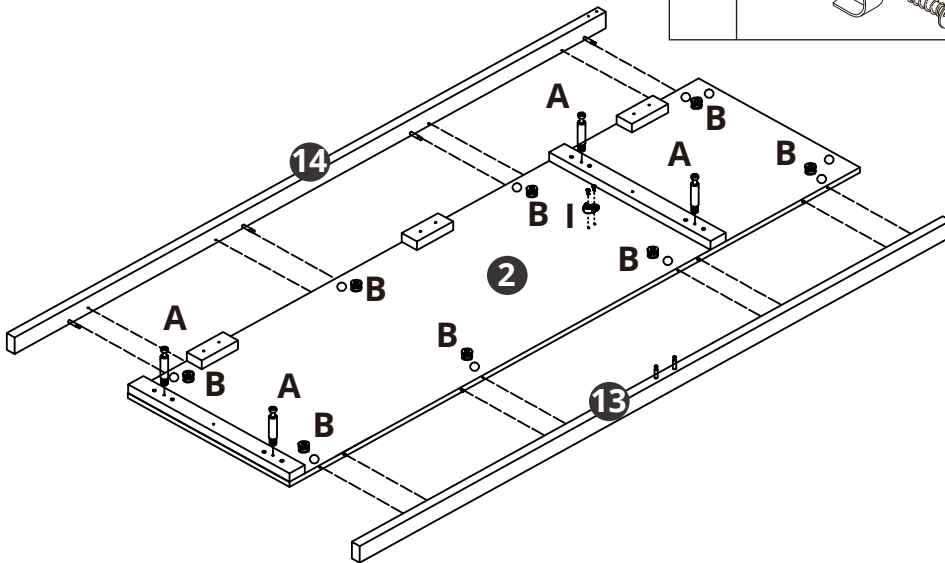
A		4	
B		8	
I		1	



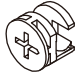

ASSEMBLY INSTRUCTIONS

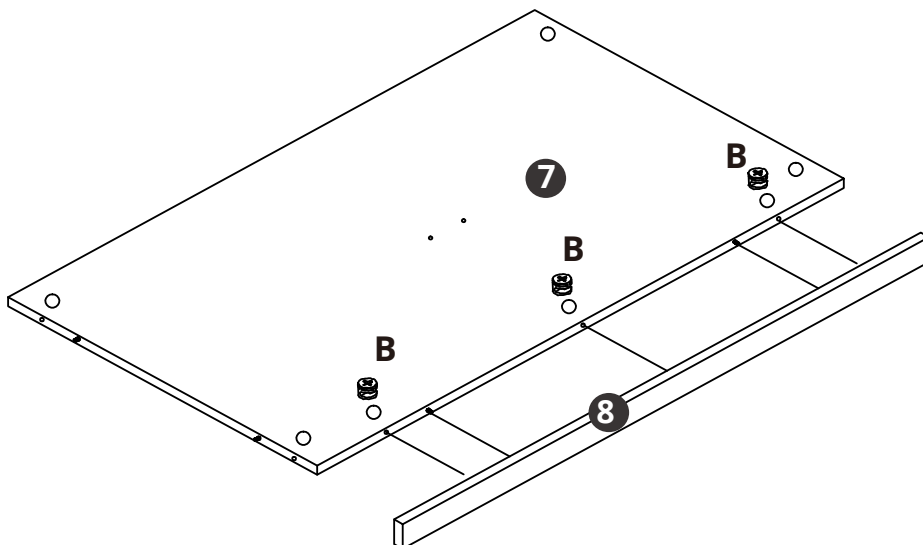
Step 9

A		4	
B		8	
I		1	



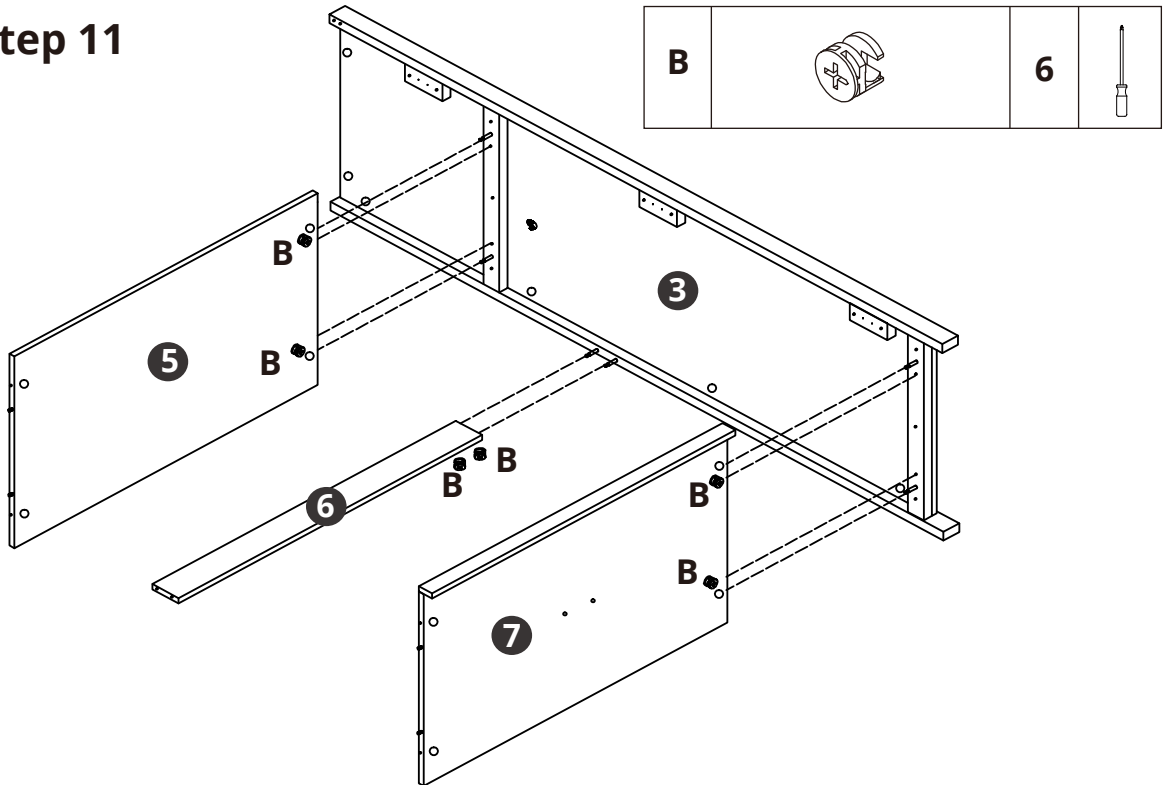
Step 10

B		3	
---	---	---	---

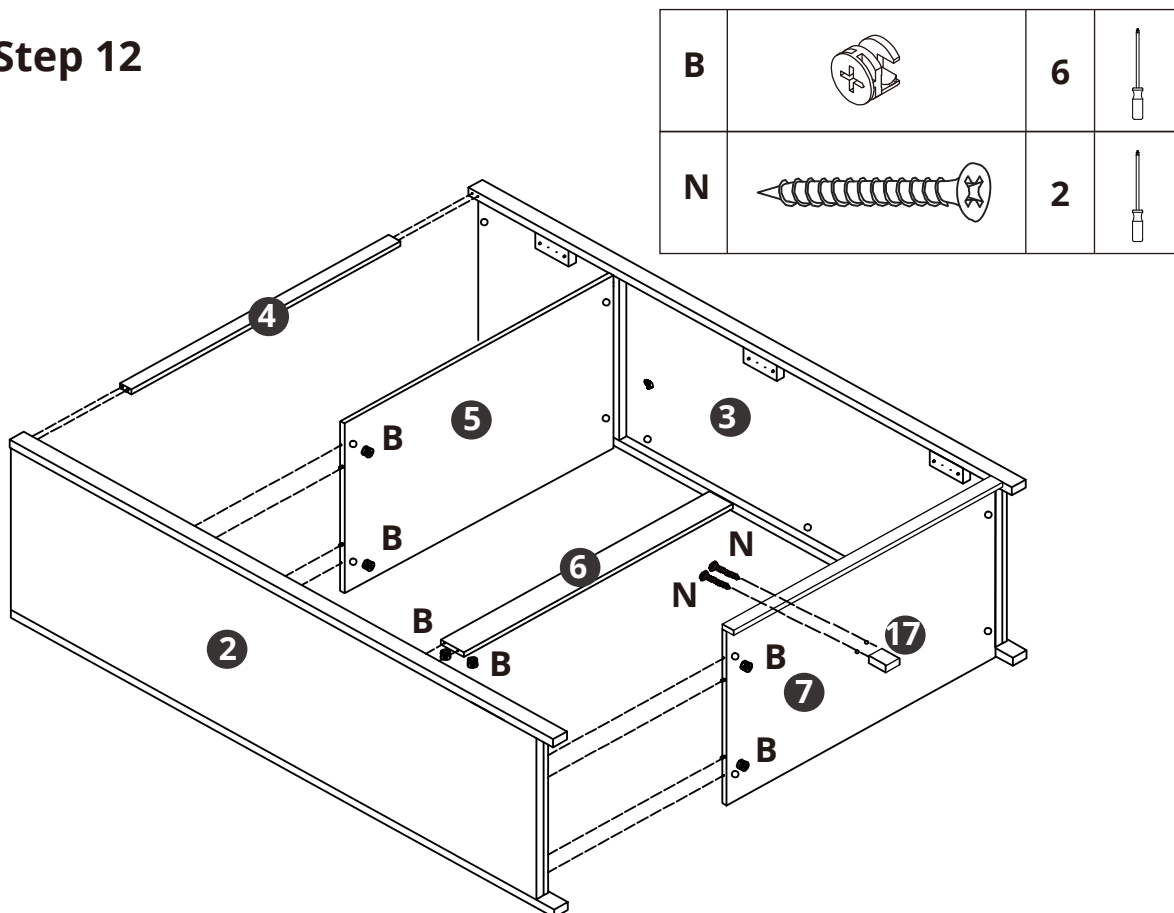


ASSEMBLY INSTRUCTIONS

Step 11

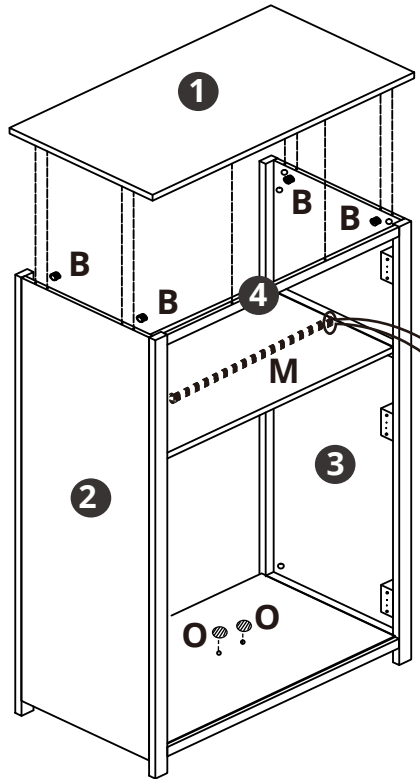




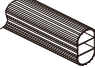

Step 12

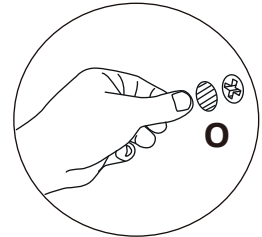
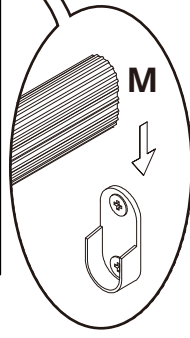


ASSEMBLY INSTRUCTIONS

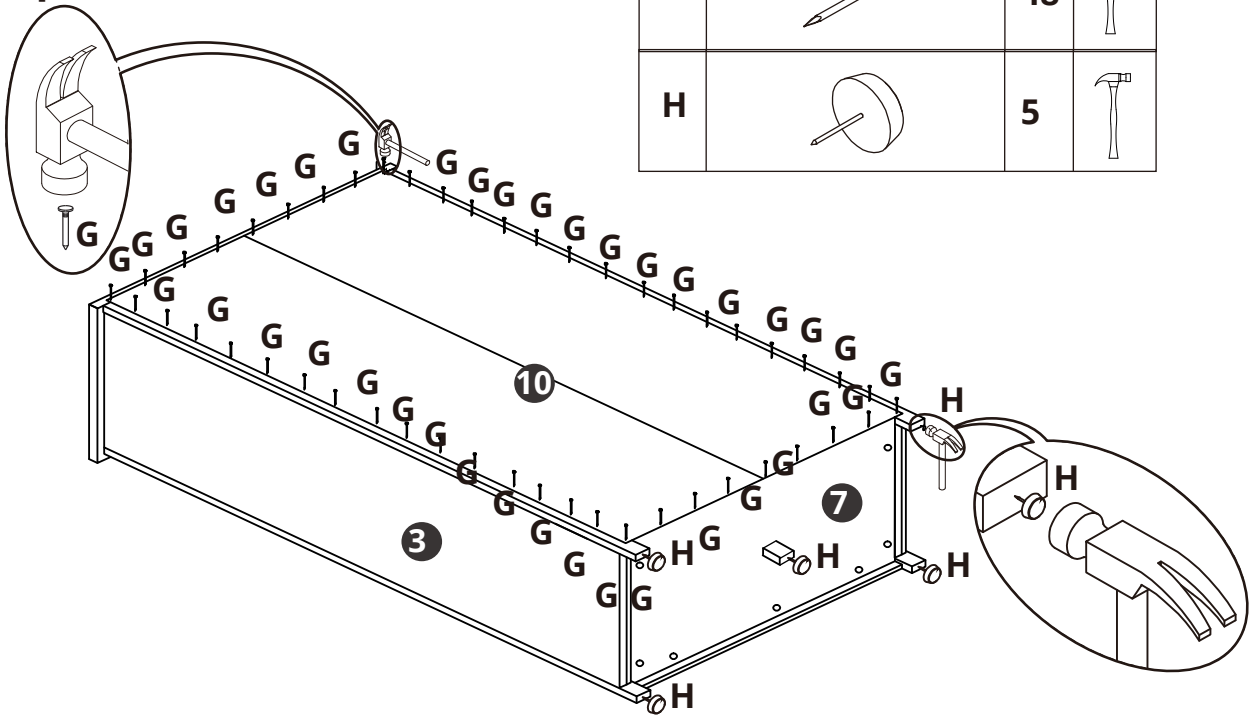
Step 13

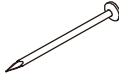





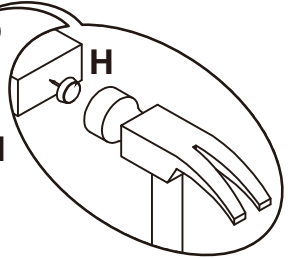
B		4	
M		1	
O		2	



Step 14




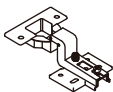




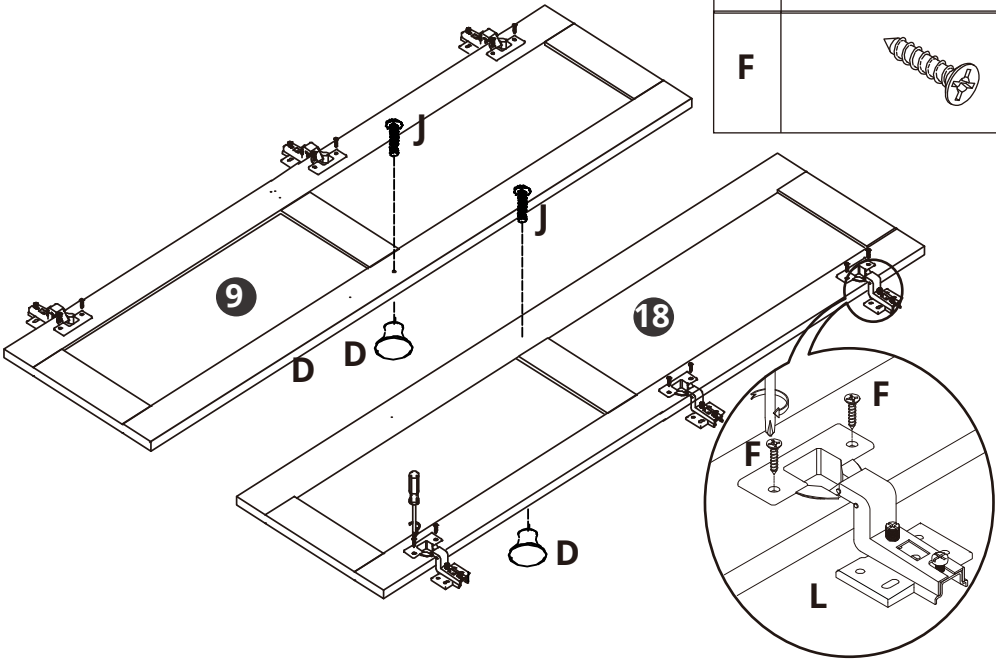
G		48	
H		5	



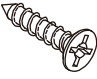

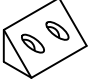
ASSEMBLY INSTRUCTIONS

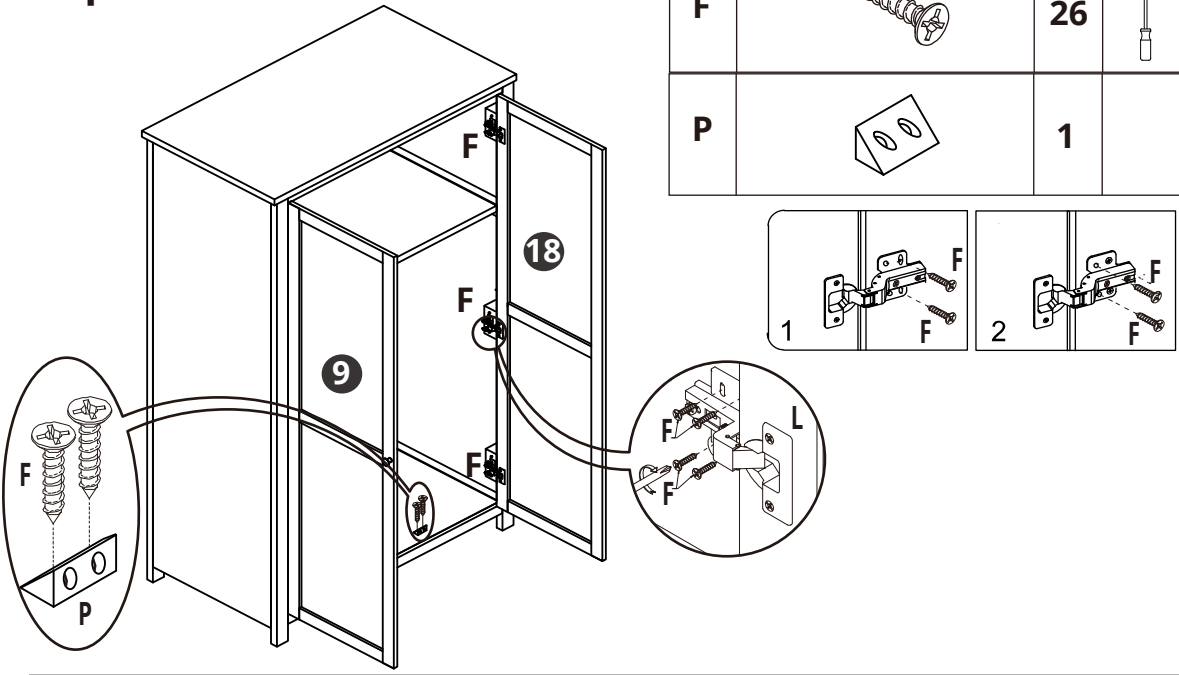
Step 15

J		2	
D		2	
L		6	
F		12	



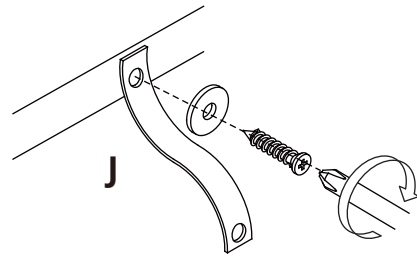
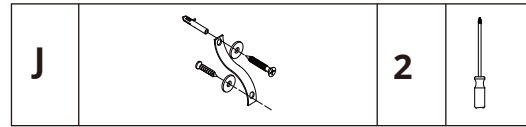
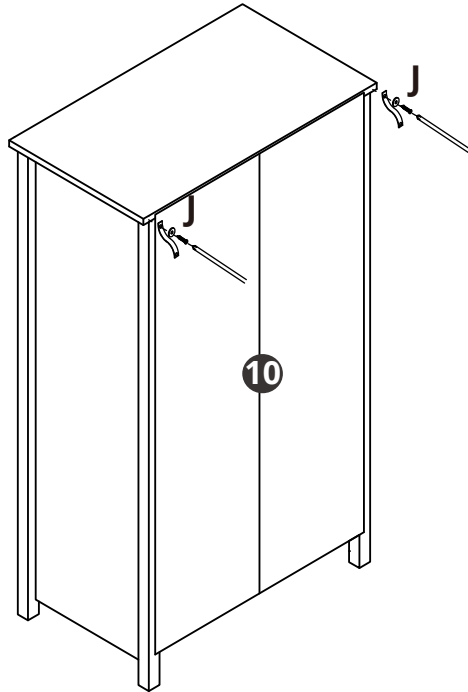
Step 16

F		26	
P		1	

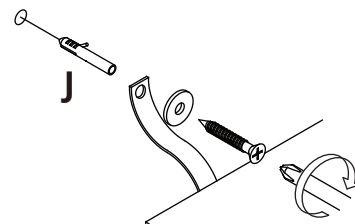
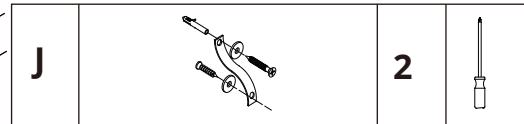
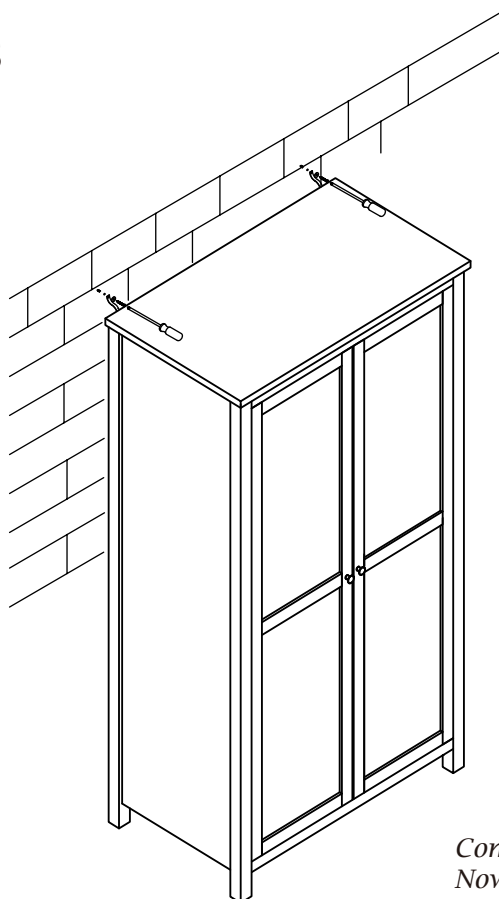


ASSEMBLY INSTRUCTIONS

Step 17



Step 18



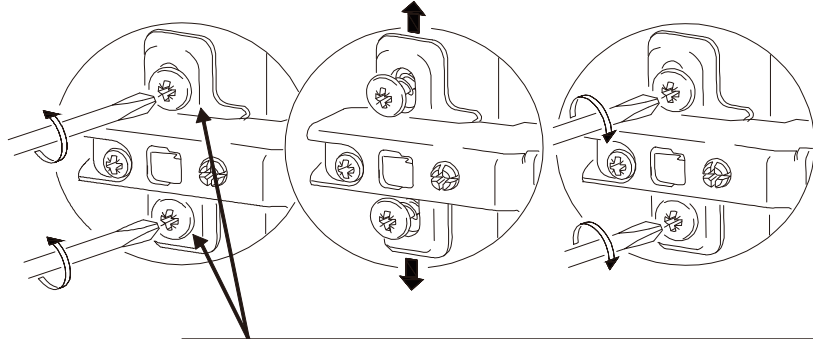
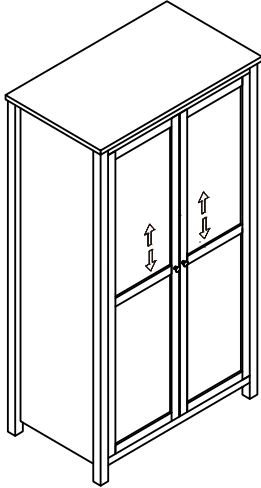
*Congratulations!
Now you have finished assembling the product.*

DOOR ALIGNMENT



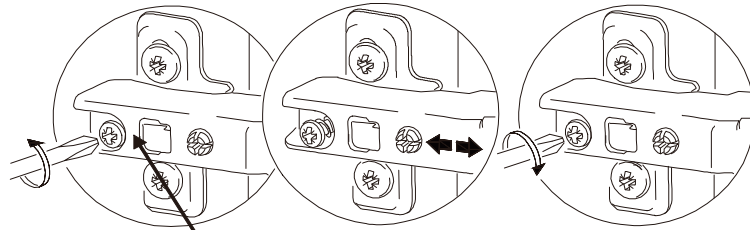
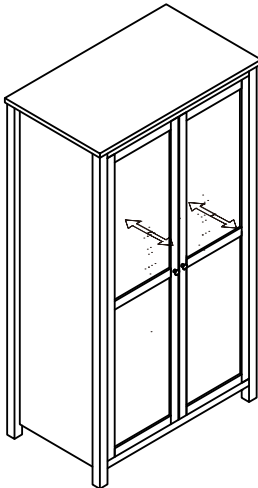
Customer Attention:

To align doors and control gap in between doors. Product doors may need adjusting during and after assembly. This can be done by adjusting appropriate screws. See below illustration.



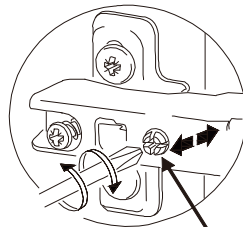
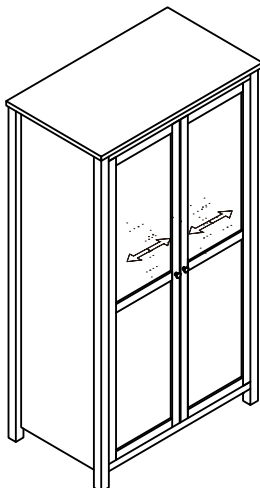
Vertical Door Adjustment:

Loosen both screws on all hinges and lift the door to the desired height. This allows an even space at the top and bottom between the door and frame.



Lateral Door Adjustment:

If door is hinge bound, (rubbing on frame as you close or open door) loosening screw shown and move the door in appropriate direction. (In or out)



Horizontal Door Adjustment:

Rotate Screw clockwise or anticlockwise. This will produce an even gap between doors and frame.

A Guide to - Wall Mounting & Fixings

Important note:

If plastic wall plugs are supplied with your product:



- these are only suitable for use in masonry walls.

If you are in any doubt about the correct wall plugs for your wall, seek professional advice.

Failure of the product due to using incorrect fixings is the responsibility of the installer.



Important: When drilling into walls always check that there are no hidden wires or pipes etc.

Make sure that the screws and wall plugs being used are suitable for supporting your unit. Consult a qualified person if you are unsure.

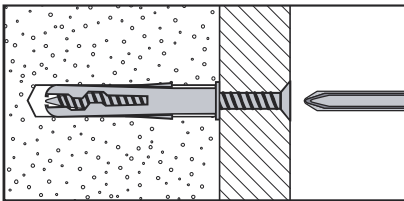
Hints:

- 1: **General rule:** ⚠ Always use a larger screw and wall plug if you are not sure.
- 2: Ensure you use the recommended drill bit to match the wall plug and hole size.
- 3: Ensure you drill the hole horizontally, do not force the drill or enlarge the hole.
- 4: Take extra care when drilling high walls, ceilings and ceramic tiles. Ensure wall plugs are inserted beyond the thickness of the ceramic tiles to avoid the tiles splitting or cracking.
- 5: Ensure wall plugs are well fitted and are a tight fit in the drilled hole.

Types of walls

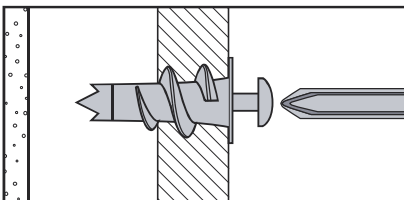
You can use one of the following types of wall plug if your walls are made of brick, breeze block, concrete, stone or wood.

No.1 "General Purpose" wall plug



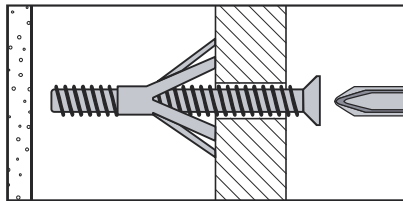
Generally aerated blocks should not be used to support heavy loads, use a specialist fitting in this case. For light loads, general purpose wall plugs can be used.

No.2 "Plasterboard" wall plug



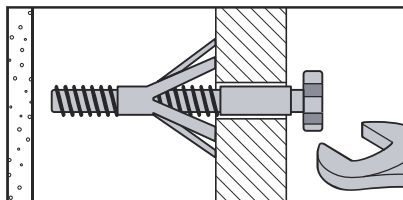
For use when attaching light loads on to plasterboard partitions.

No.3 "Cavity Fixing" wall plug



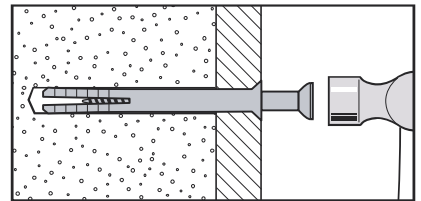
For use with plasterboard partitions or hollow wooden doors.

No.4 "Cavity Fixing-Heavy Duty" wall plug



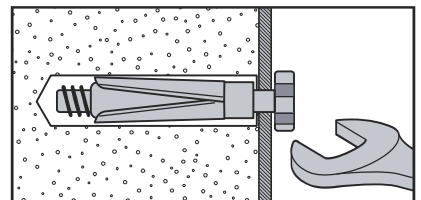
For use when fitting or supporting heavy loads such as shelving, wall cabinets and coat racks.

No.5 "Hammer Fixing" wall plug



For use with walls stuck with plasterboard. The hammer fixing allows it to be fixed to the wall rather than the plasterboard. Always check the fixing is secure to the retaining wall.

No.6 "Shield Anchor" wall plug Heavy loads



For use with heavier loads such as TV & HiFi speakers and satellite dishes etc.



Care & Maintenance

Safety: Always check the fitting and location to ensure your safety in and around the home.

Fitting: From time to time check the fitting to ensure the wall plugs or screws do not become loose.