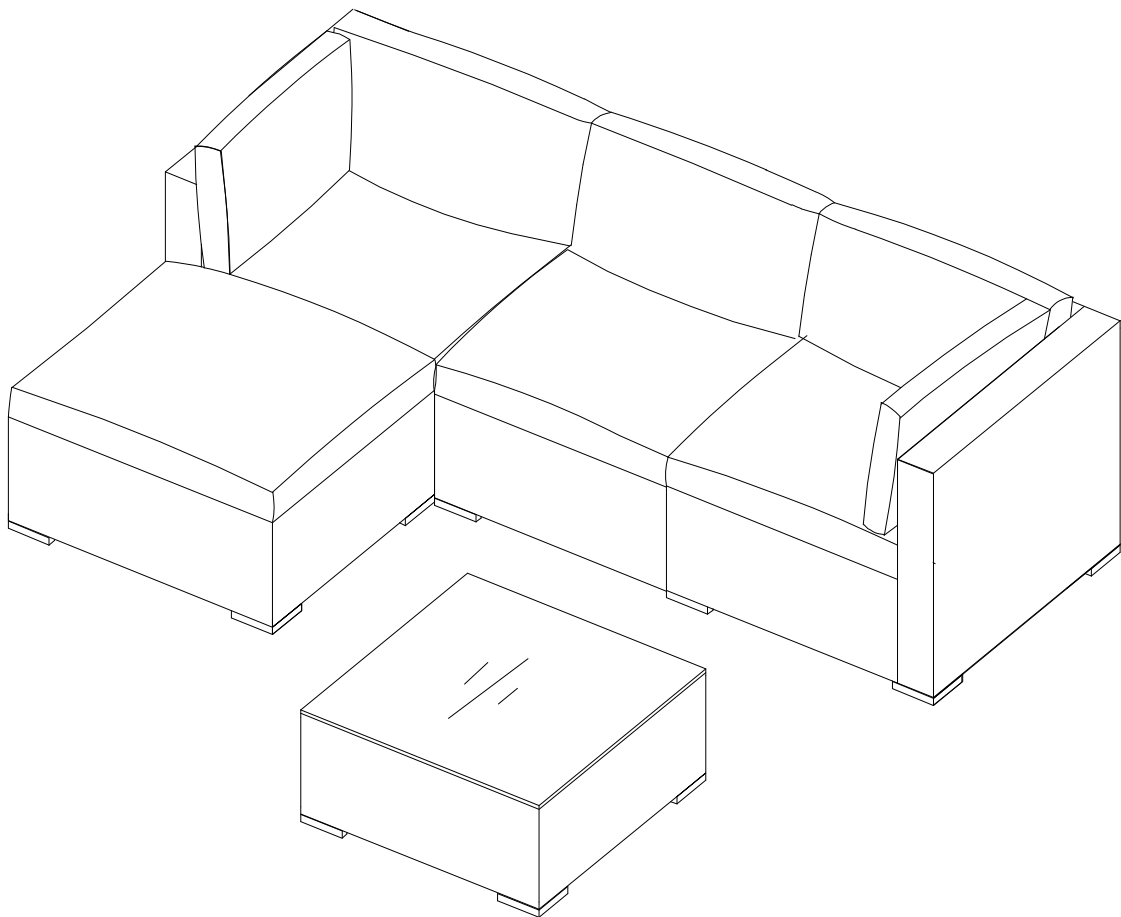


---

---

# 5-Piece Wicker Sectional Sofa Set



---

---

## General Guidelines

- Please read the following instructions carefully and use the product accordingly.
- Please keep this manual and hand it over when you transfer the product.
- This summary may not include every detail of all variations and considered steps. Please contact us when further information and help are needed.
- Any question, please contact our customer service.

## Notes

- Personal injury and/or damage to the product may occur if products are used outside of their intended purposes and/or if products have been changed/modified from their original design. The product must be assembled and used in accordance with the provisions of the manual. The seller does not assume any responsibility or liability with respect to any damage caused by incorrect assembly or improper use.
- Carefully check accessories when opening the package. If anything is missing or damaged, please contact us immediately.
- Please do not force or over tighten the nuts. If a nut becomes stuck, unscrew it and start again.
- Keep in mind that not to tighten screw until you fully set up ,After set up, fully tighten screws.
- Please keep all the packaging for the product until you are satisfied with your purchase as we cannot accept any returned item not in the original packaging.
- Please ensure that you have sufficient space and people to assemble the item.
- Do not tighten all the screws before completing the installation

## Warnings



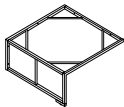
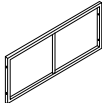


- Keep children away when assembling the product. Small parts are included in the package; they may be fatal if swallowed or inhaled.
- To avoid the potential dangers of suffocation, please keep all parts and packaging (film, plastic bags, foam, etc.) away from babies and children.
- Tighten all components securely before use. Failure to do so may result in personal injury.

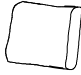
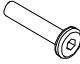
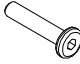


## Daily Maintenance

- Sweep surfaces as needed using a soft-bristle brush.
- Store outdoor furniture indoors or cover well when not in use. Whether you live in a mild or harsh climate, using patio furniture covers will prolong the life of your furniture and keep it looking like new.
- To extend the life of your outdoor cushions and pads, clean them regularly. Store away when not in use, preferably in a cool, dry place indoors. Ensure the cushions are completely dry before storing.

# ASSEMBLY INSTRUCTION

## DESCRIPTION: CORNER SEAT

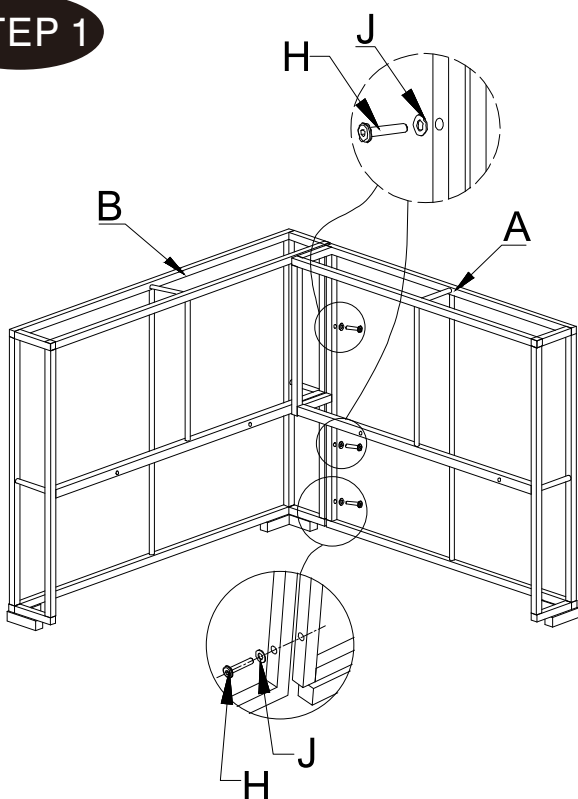
Item no.	Reference Image	Description	Qty.
A		Arm Rest	1
B		Seat Back	1
C <sub>2</sub>		Seat Base	1
D		Side Panel	1
E		Seat cushion	1
F		Back cushion	1

Item no.	Reference Image	Description	Qty.
G		Armrest cushion	1
H		M6*30	9
I		M6*35	4
J		Washer	13
K		Allen Key	1

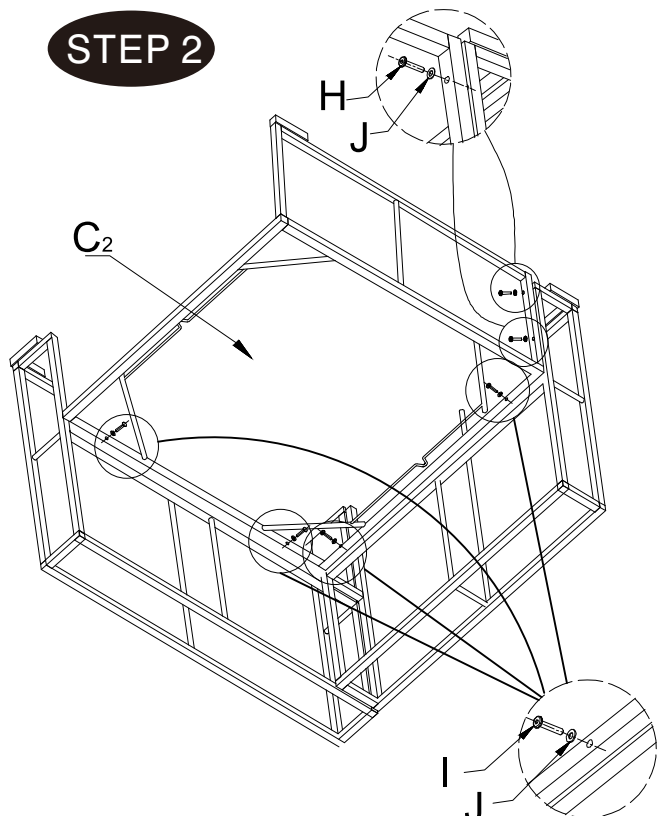
### Tips:

Do not tighten all screws fully until the item is well assembled.

### STEP 1



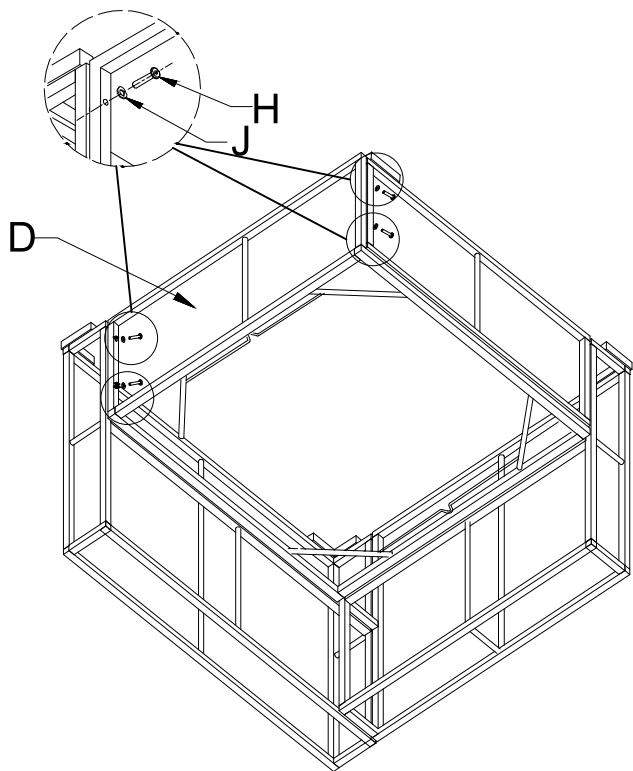
### STEP 2



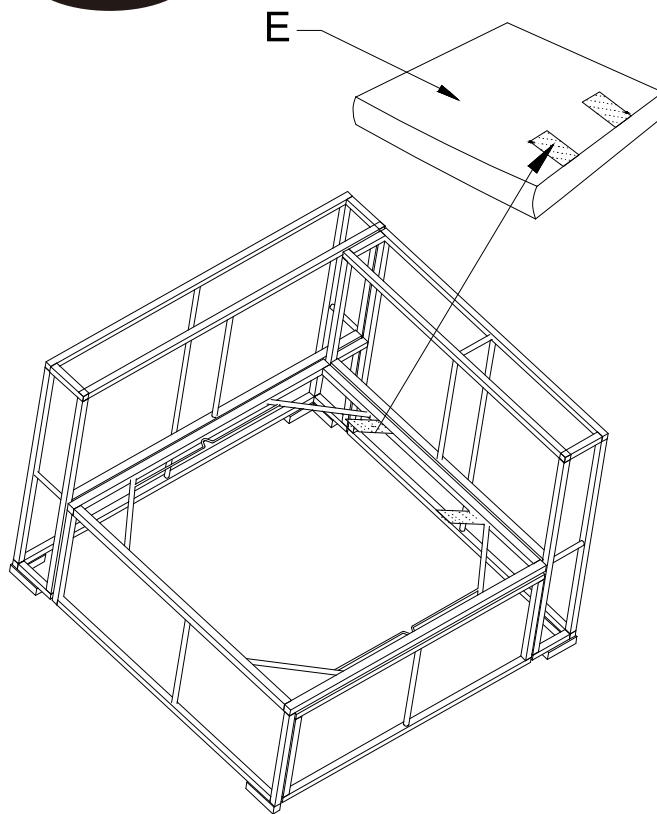
# ASSEMBLY INSTRUCTION

DESCRIPTION:  
CORNER SEAT

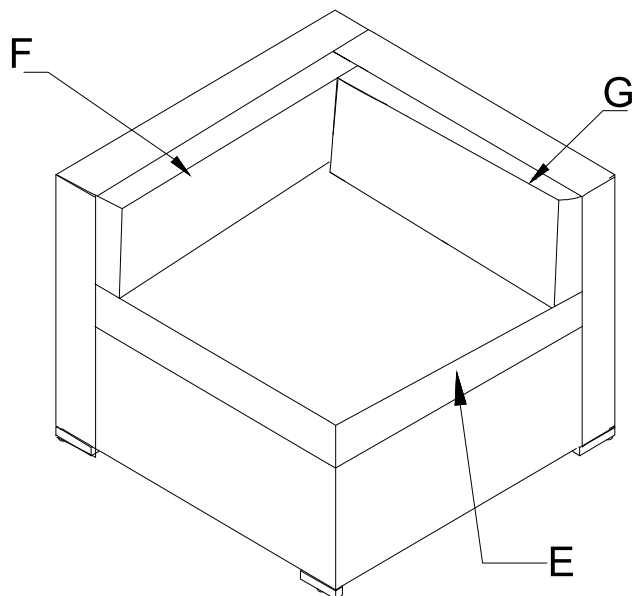
## STEP 3



## STEP 4



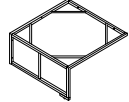
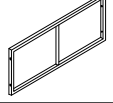




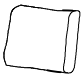
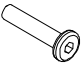
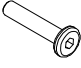


## STEP 5



# ASSEMBLY INSTRUCTION

## DESCRIPTION: CORNER SEAT

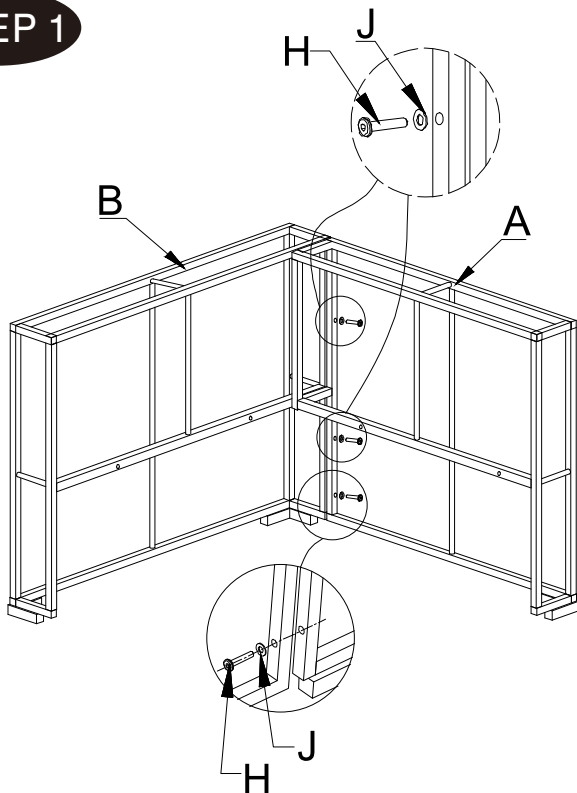
Item no.	Reference Image	Description	Qty.
A		Arm Rest	1
B		Seat Back	1
C <sub>1</sub>		Seat Base	1
D		Side Panel	1
E		Seat cushion	1
F		Back cushion	1

Item no.	Reference Image	Description	Qty.
G		Armrest cushion	1
H		M6*30	9
I		M6*35	4
J		Washer	13
K		Allen Key	1

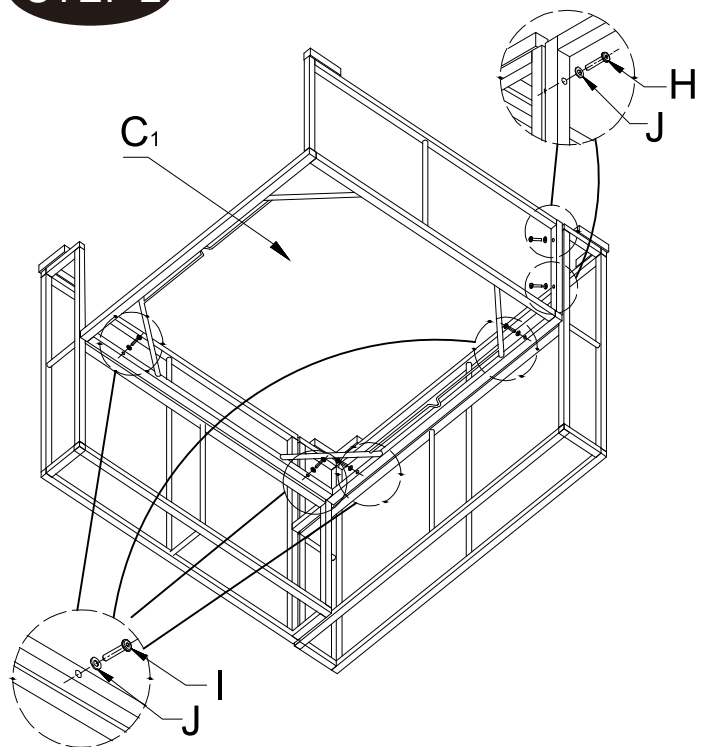
### Tips:

Do not tighten all screws fully until the item is well assembled.

### STEP 1



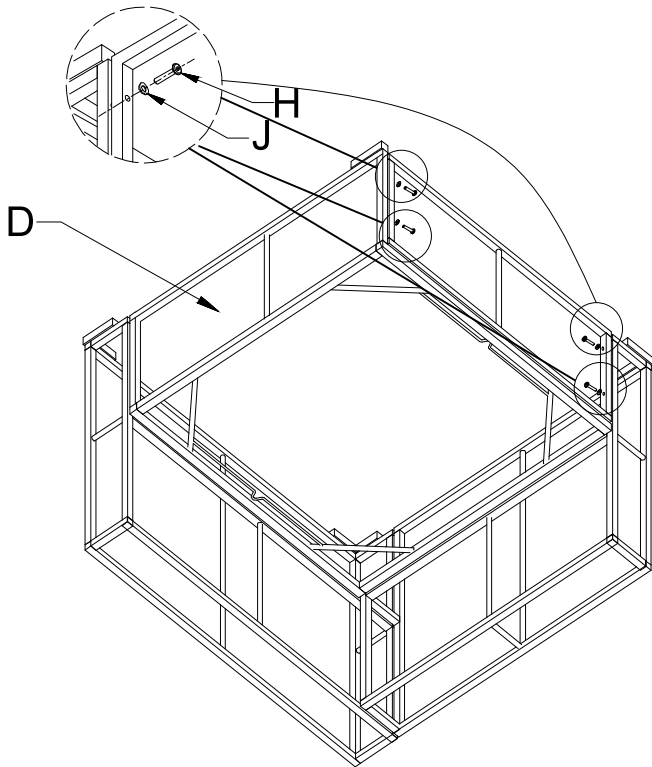
### STEP 2



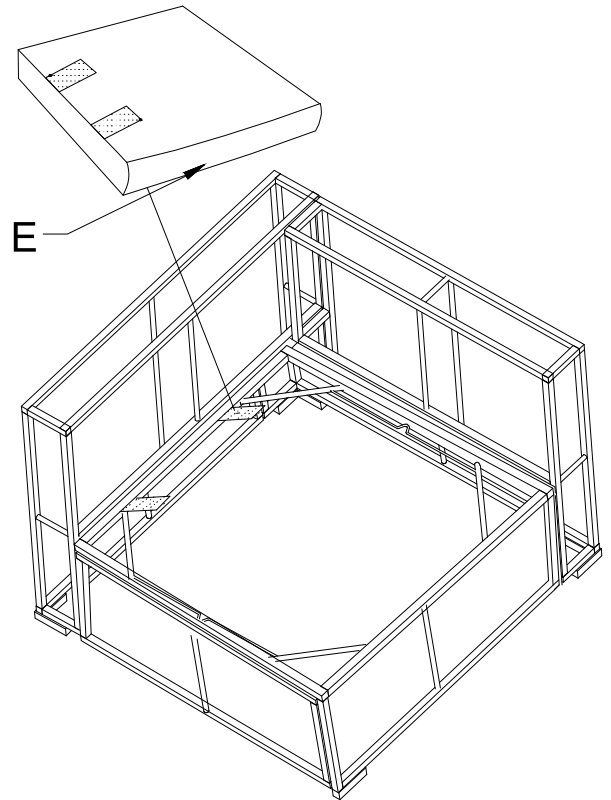
# ASSEMBLY INSTRUCTION

## DESCRIPTION: CORNER SEAT

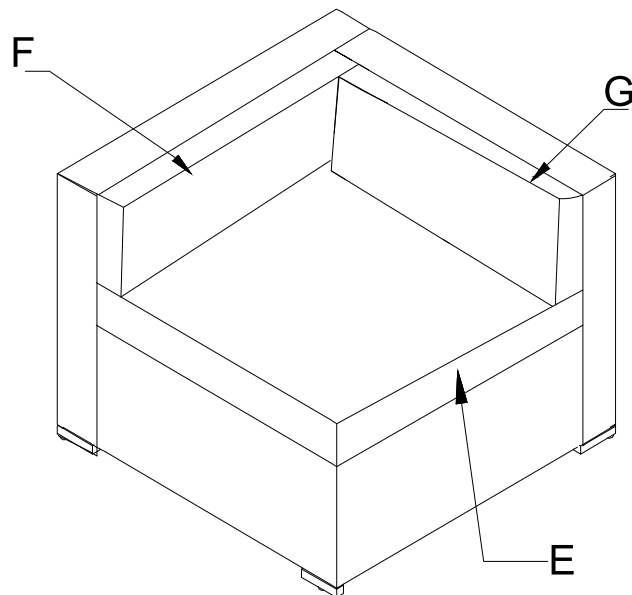
### STEP 3



### STEP 4


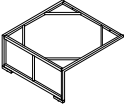
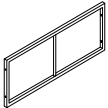




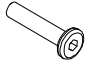
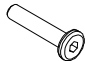


### STEP 5



# ASSEMBLY INSTRUCTION

## DESCRIPTION: ARMLLESS CHAIR

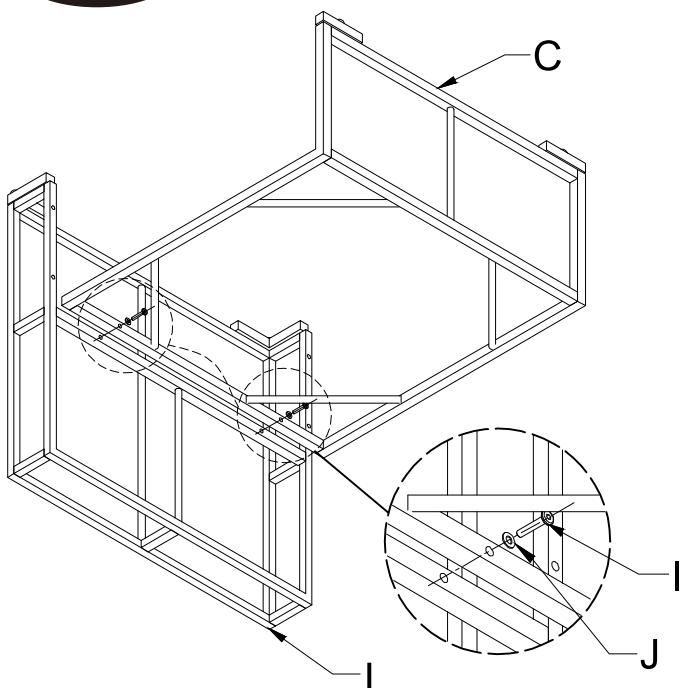
Item no.	Reference Image	Description	Qty.
L		Seat Back	1
C		Seat Base	1
D		Side Panel	2
E		Seat cushion	1
F		Back cushion	1

Item no.	Reference Image	Description	Qty.
H		M6*30	8
I		M6*35	2
J		Washer	10
K		Allen Key	1

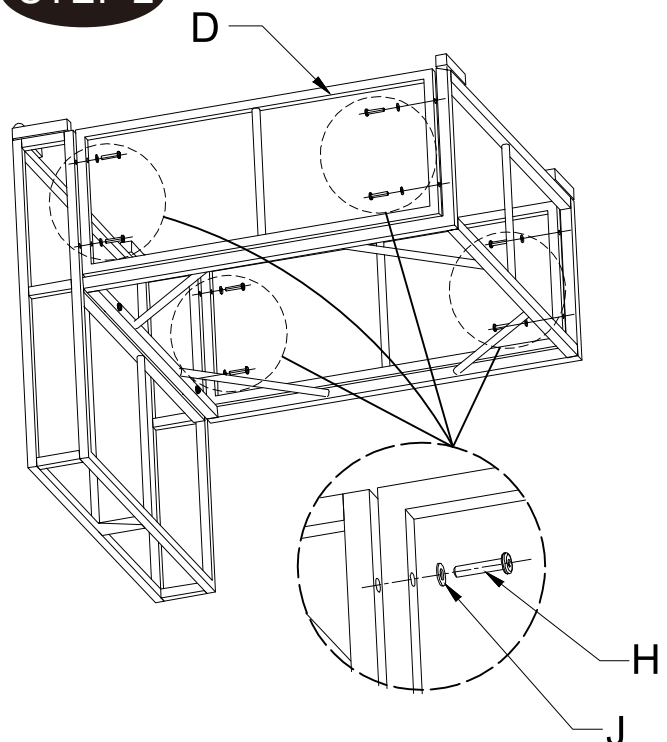
### Tips:

Do not tighten all screws fully until the item is well assembled.

### STEP 1



### STEP 2



---

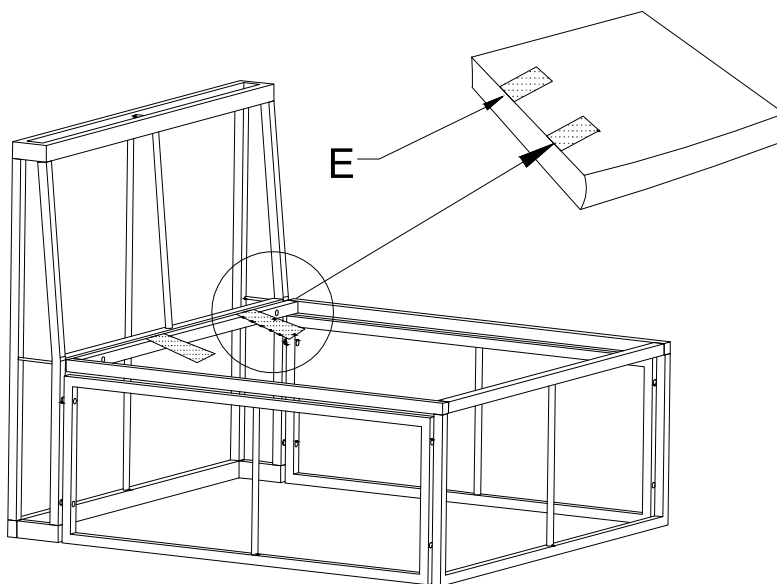
---

# ASSEMBLY INSTRUCTION

DESCRIPTION:  
ARMLESS CHAIR

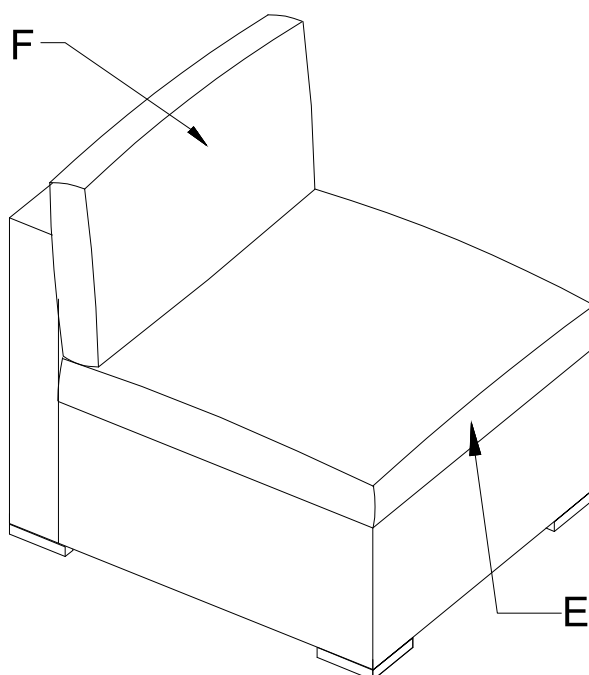
---

## STEP 3



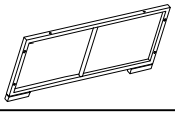
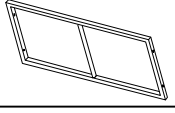
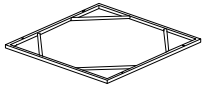
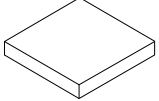
---

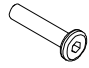


## STEP 4



# ASSEMBLY INSTRUCTION

## DESCRIPTION: OTTOMAN

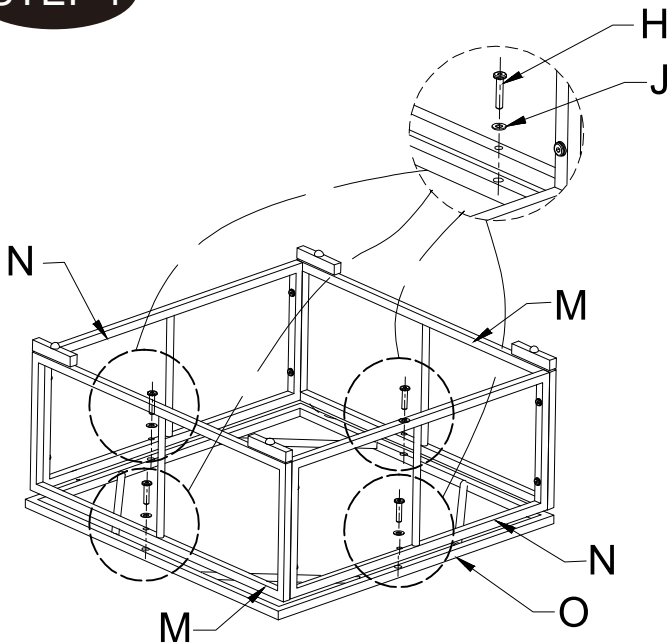
Item no.	Reference Image	Description	Qty.
M		Side Panel	2
N		Front & Back Panel	2
O		Table Top	1
P		Seat cushion	1

Item no.	Reference Image	Description	Qty.
H		M6*30	12
J		Washer	12
K		Allen Key	1

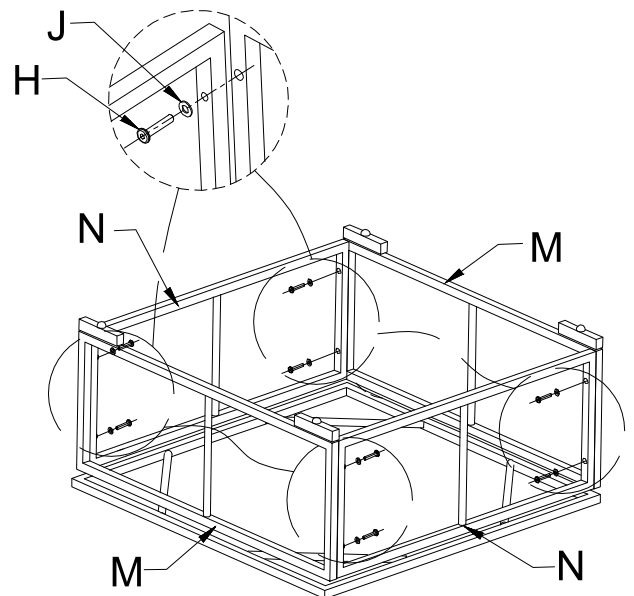
### Tips:

Do not tighten all screws fully until the item is well assembled.

### STEP 1



### STEP 2



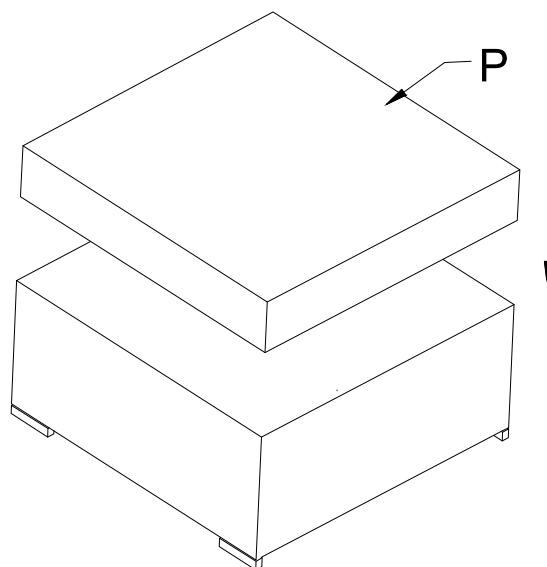
---

---

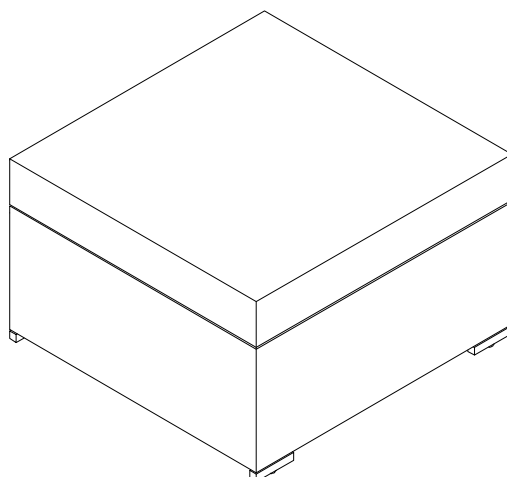
**ASSEMBLY  
INSTRUCTION**

DESCRIPTION:  
OTTOMAN

**STEP 3**

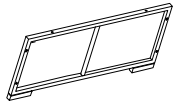
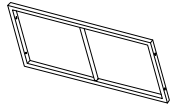
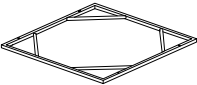
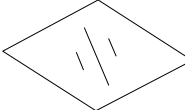


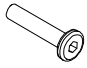


**STEP 4**



# ASSEMBLY INSTRUCTION

## DESCRIPTION: COFFEE TABLE

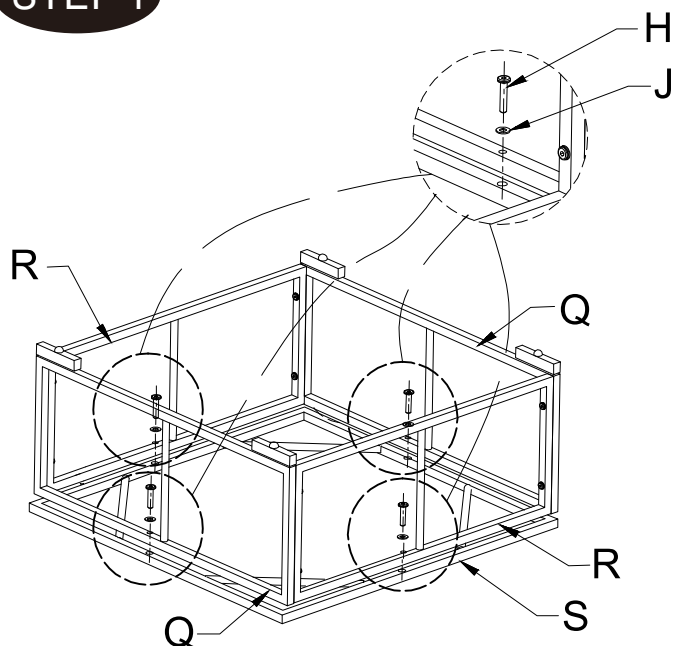
Item no.	Reference Image	Description	Qty.
Q		Side Panel	2
R		Front & Back Panel	2
S		Table Top	1
T		Glass Top	1

Item no.	Reference Image	Description	Qty.
H		M6*30	12
J		Washer	12
K		Allen Key	1

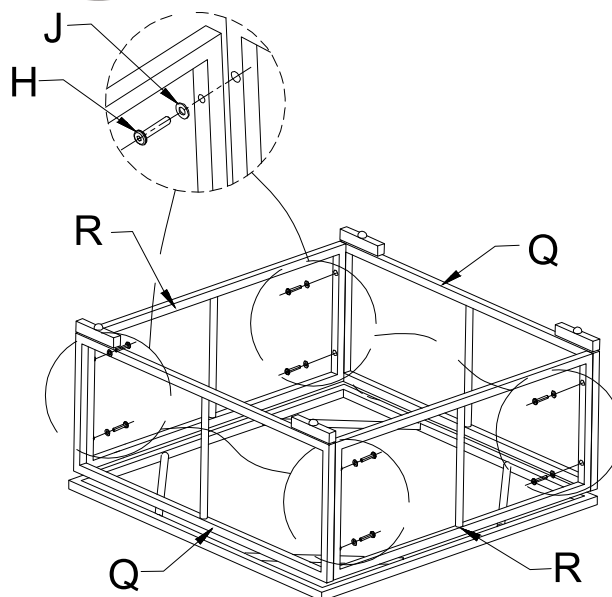
### Tips:

Do not tighten all screws fully until the item is well assembled.

### STEP 1



### STEP 2



---

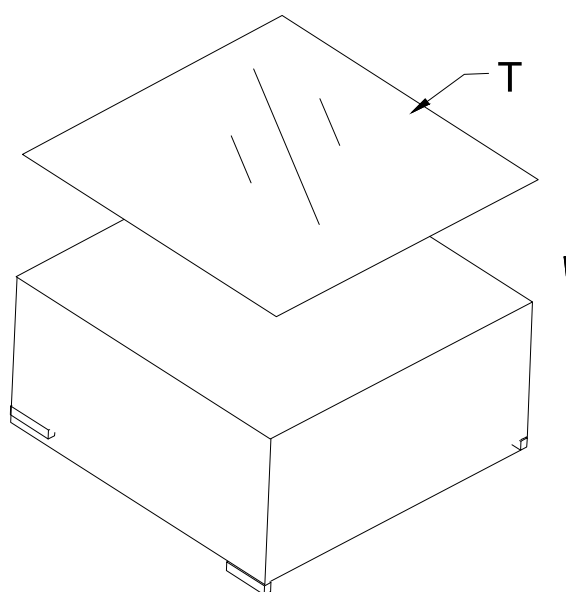
---

**ASSEMBLY  
INSTRUCTION**

DESCRIPTION:  
COFFEE TABLE

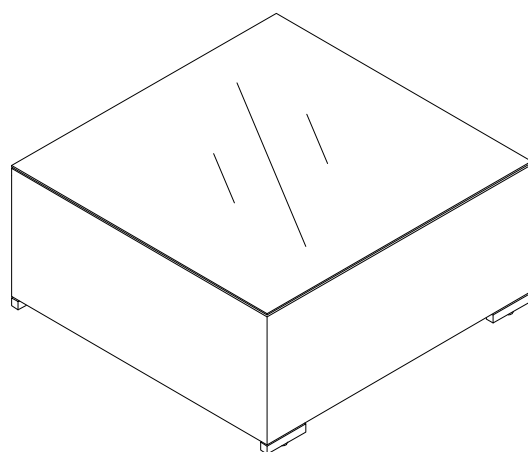
---

**STEP 3**




---

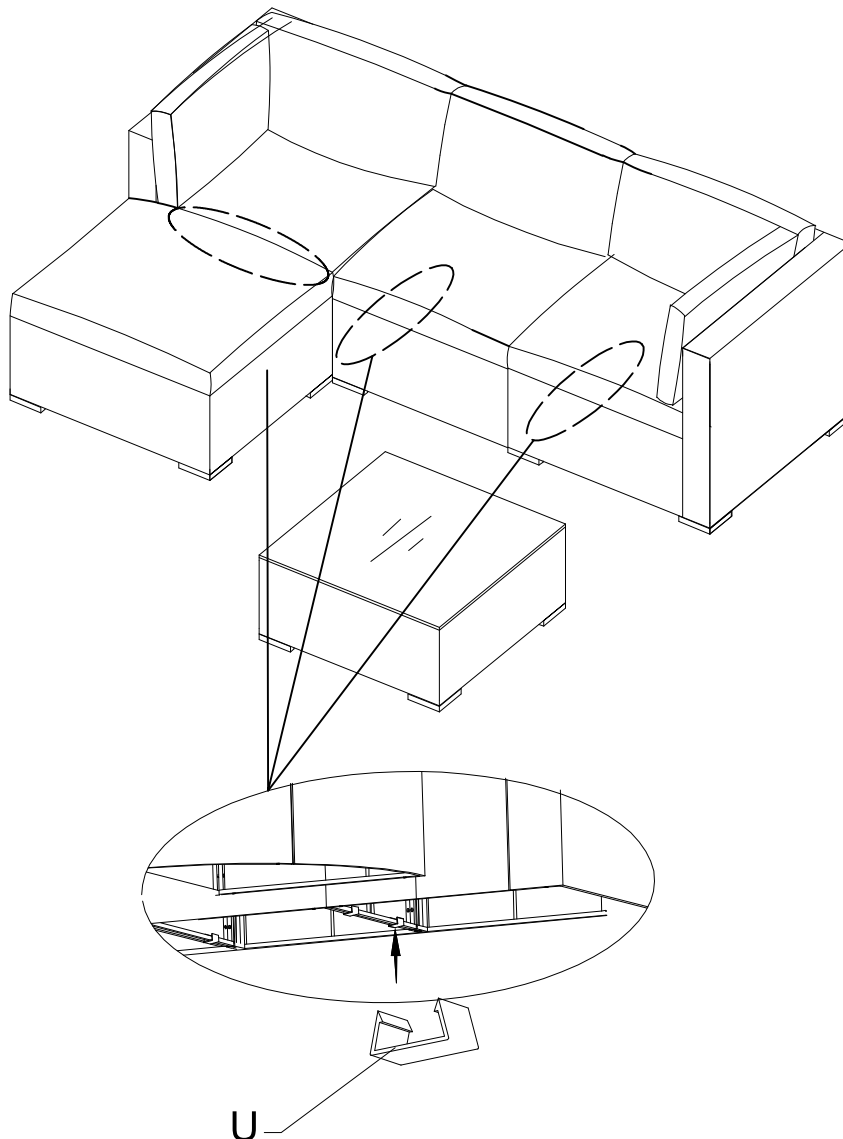
**STEP 4**



# ASSEMBLY INSTRUCTION

## DESCRIPTION: 5-PIECE WICKER SECTIONAL SOFA SET

IteQ RS.	Referer Qage	Descripti SR	Qty.
U		Plastic Clip	6



After finishing all assembling, please use plastic clips to connect each sofa.