

ASSEMBLY INSTRUCTIONS

MODEL: 3859-03 & 3859NAT-03 (COVE CUSHION BACK CHAIR)

Please read instructions carefully

Remove all wrapping materials, staples and packing straps from the carton.

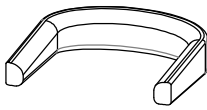


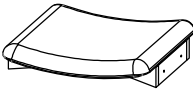


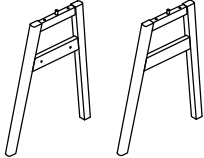

Refer to Parts List and Hardware List and ensure they are complete before you start assembling.

Place all wooden parts on a clean, flat and soft surface (e.g carpet or rug) to prevent parts from being scratched.

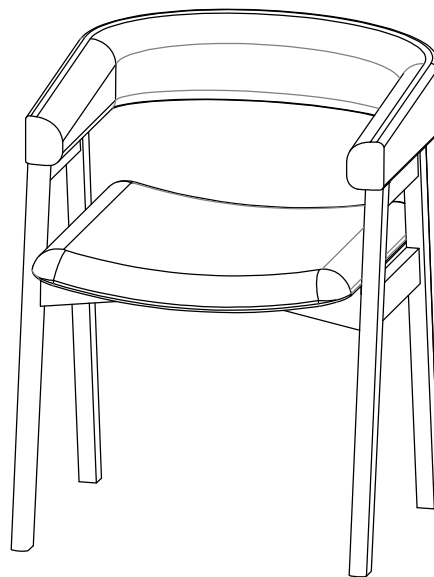
CAUTIONS:1) DO NOT FULLY TIGHTEN BOLTS AND NUTS UNTIL ALL PARTS HAVE BEEN ASSEMBLED.

2) DO NOT OVER-TIGHTEN BOLTS AND NUTS .

3) KEEP ALL HARDWARE PARTS OUT OF REACH OF CHILDREN.

| Designation | Part | Qty | Part List | Hardware | Qty | Hardware List |
|-------------|------|------|--|----------|------|--|
| CHAIR ARM | P1 | 1PC |  | H1 | 4PCS | BOLT Ø1/4" x 50mm  |
| | | | | H2 | 4PCS | BOLT Ø1/4" x 35mm  |
| CHAIR SEAT | P2 | 1PC |  | H3 | 4PCS | SPRING WASHER Ø5/16" x 13mm  |
| | | | | H4 | 4PCS | FLAT WASHER Ø5/16" x 19mm  |
| CHAIR LEGS | P3 | 2PCS |  | H5 | 1PC | ALLEN KEY M4 x 59mm  |

COMPLETE ASSEMBLY



ASSEMBLY INSTRUCTIONS

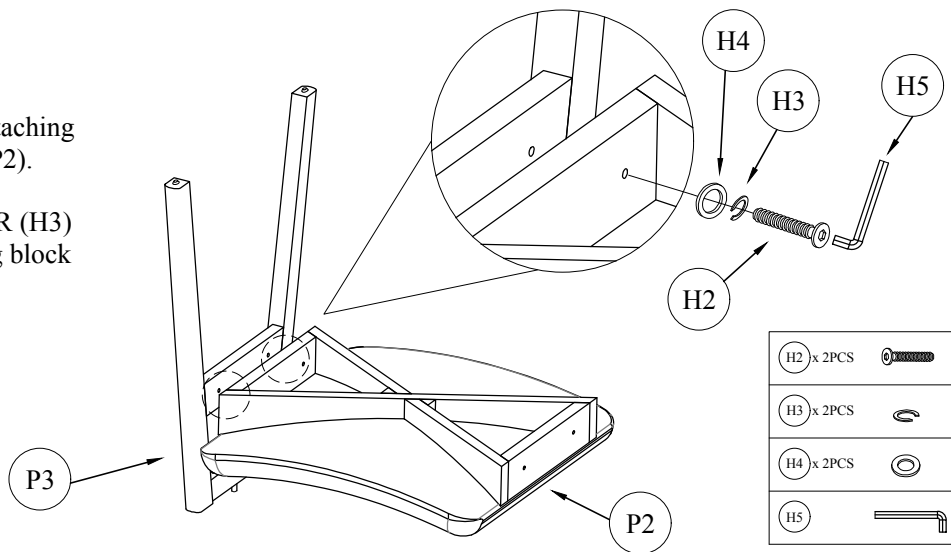
MODEL: 3859-03 & 3859NAT-03 (COVE CUSHION BACK CHAIR)

STEP 1

Prepare the CHAIR SEAT (P2) by placing it upside-down. Assemble CHAIR LEGS (P3) by attaching it to the connecting blocks in the CHAIR SEAT (P2).

Align BOLT (H2) fitted with a SPRING WASHER (H3) & a FLAT WASHER (H4) through the connecting block holes. See example image.

Tighten all the bolts with ALLEN KEY (H5).

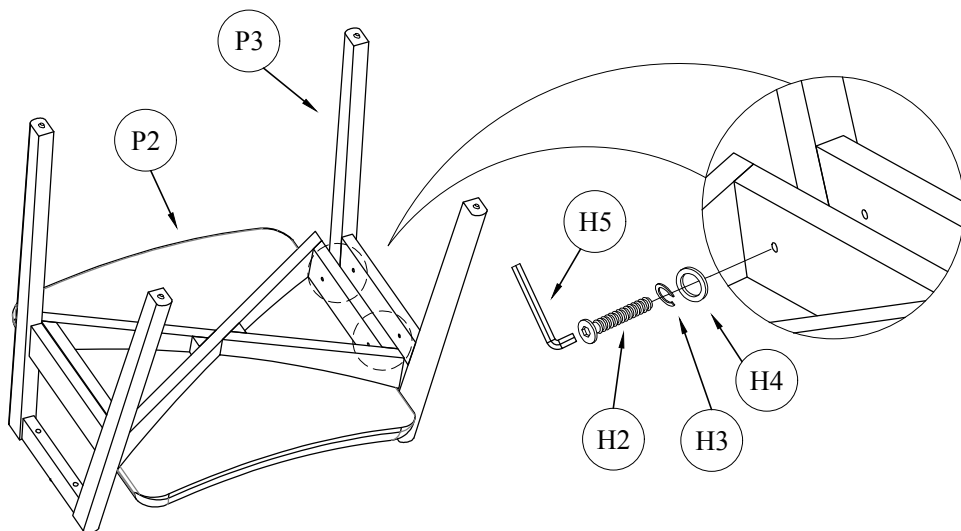


STEP 2

Repeat STEP 1 by assembling the other set of CHAIR LEGS (P3).

Tighten all the bolts with ALLEN KEY (H5).

| | |
|-----------|--|
| H2 x 2PCS | |
| H3 x 2PCS | |
| H4 x 2PCS | |
| H5 | |



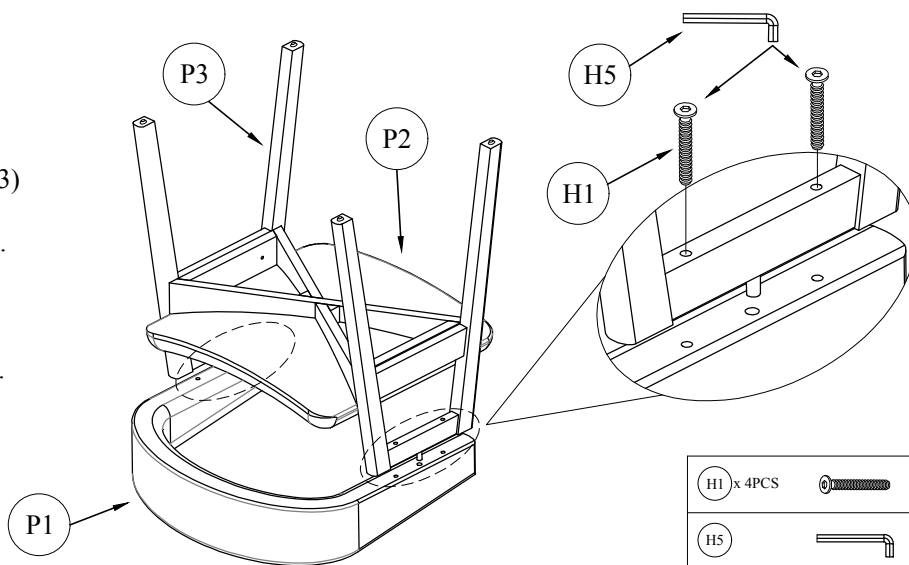
STEP 3

Prepare the CHAIR ARM (P1) by placing it upside-down on a flat, soft & clean surface.

Prepare the CHAIR SEAT (P2) and CHAIR LEGS (P3) to connect it in the pre-drilled holes in the CHAIR ARM (P1) by one wooden peg on CHAIR LEGS (P3). Then secure the parts with two bolts on each side (left and right).

Align BOLT (H1) through the connecting block holes. See example image.

Tighten all the bolts with ALLEN KEY (H5).



CARE AND MAINTENANCE

SAFETY - To avoid any risk of suffocation to children or animals, dispose off the plastic bags immediately.

CLEANING - Clean with damp cloth and mild detergent. Do not use bleach or abrasive products.

FITTINGS - Tighten bolts and nuts from time to time to ensure all parts of product are securely fitted.