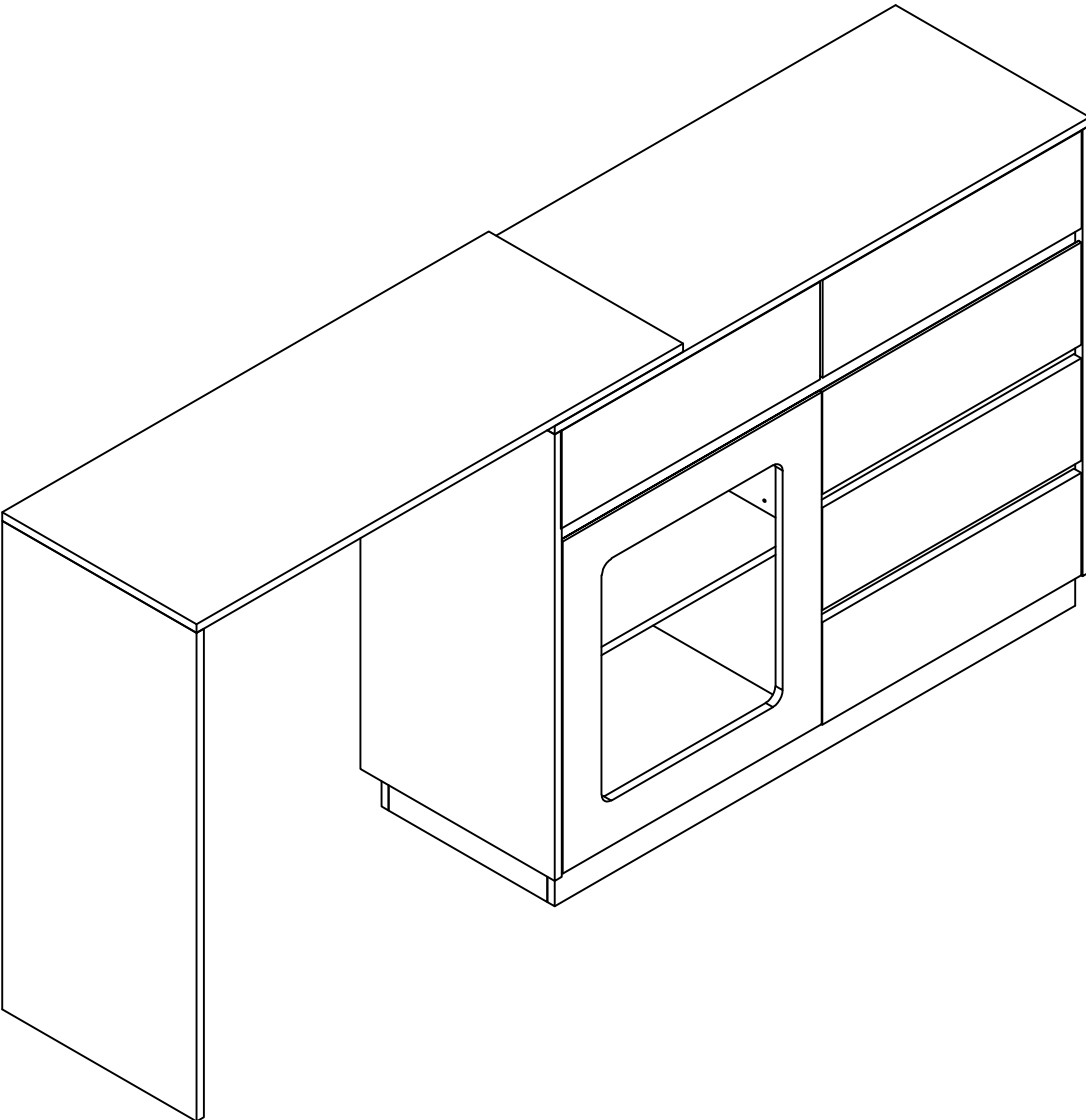


Assembly Instruction



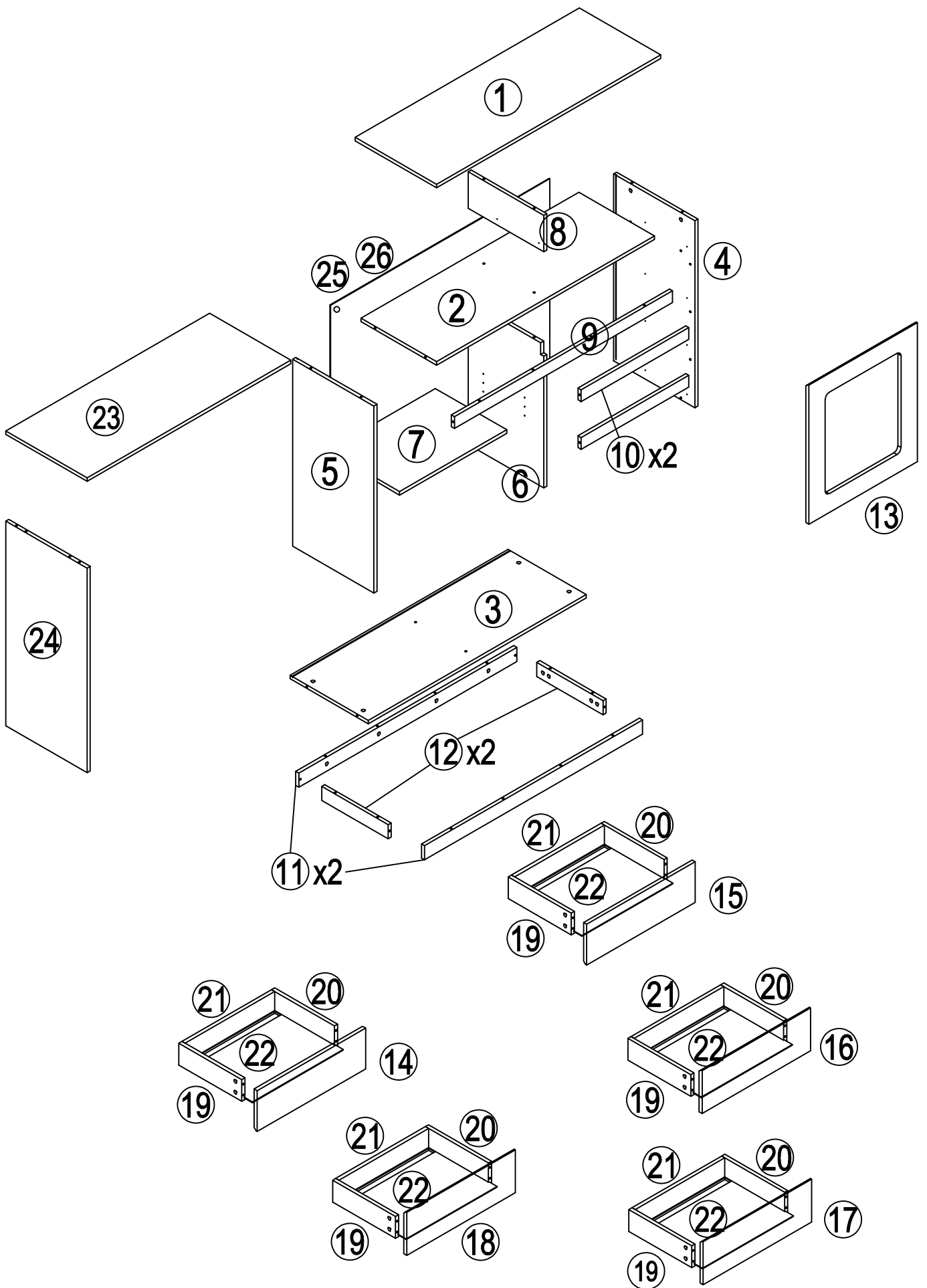
BEFORE STARTING

Before Using Product

- Read each step carefully before starting. It is very important that each step is performed in the correct order. If these steps are not followed in sequence, assembly difficulties will occur.
- Make sure all parts are included.
- Work in a spacious area and near where the unit will be used, preferably on a carpet, or use a piece of the cardboard packaging to protect your floor and product.
- For a smooth assembly process, we suggest you keep a lite tightness for all the screws during assembly. After the whole product is assembled, firmly tighten all the screws.

WARNING

- Do not allow children to climb on unit.
- Avoid sharp objects or corrosive chemicals to prevent damage to the product.
- During assembly, keep parts and packaging materials away from children and pets as there could be potential injury and choking hazards.
- Please make sure that all objects are removed before moving the assembled unit.
- The unit must be team lifted, not dragged or pushed. Failure to do so could cause instability, product collapse, and/or serious injury.
- Be careful when using power tools to assemble your furniture. Power tools may strip or damage the parts.

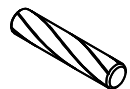




Ax86



Bx86



M8x40MM

Cx2

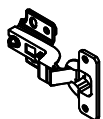


M3x12MM

Dx50



Ex10



Fx2



Gx4



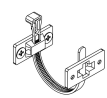
Hx2



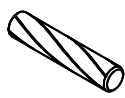
Ix2



Jx1



Kx1



M6x30MM

Lx2

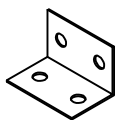


M4x16MM

Mx32



Nx2



Ox2

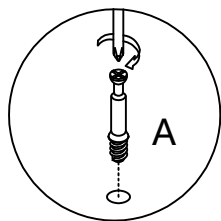
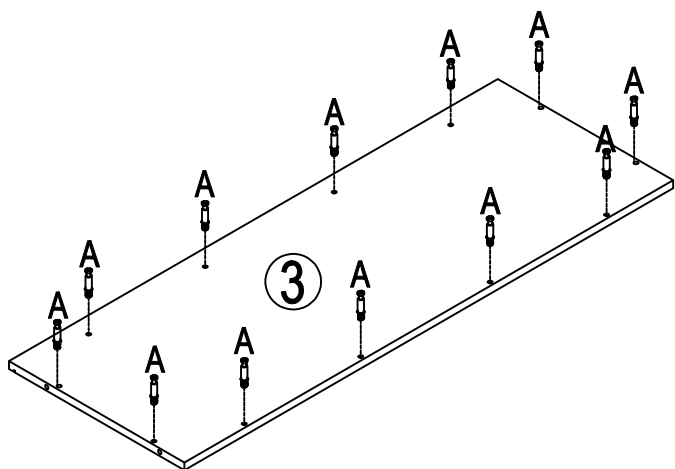


Px1



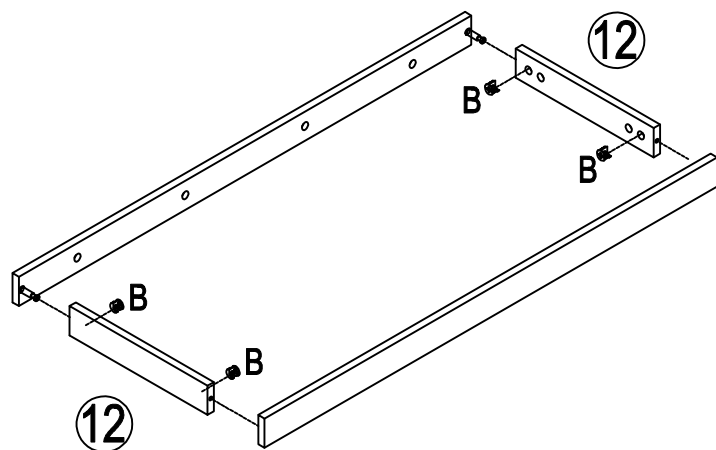
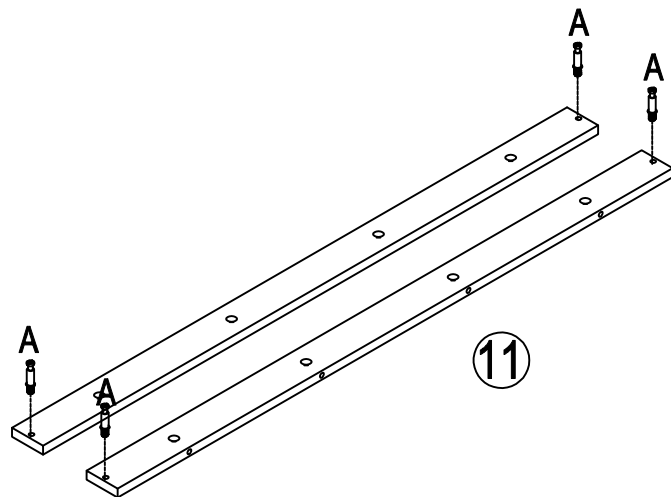
Qx1

STEP 1



Ax12

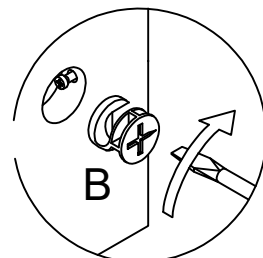
STEP 2



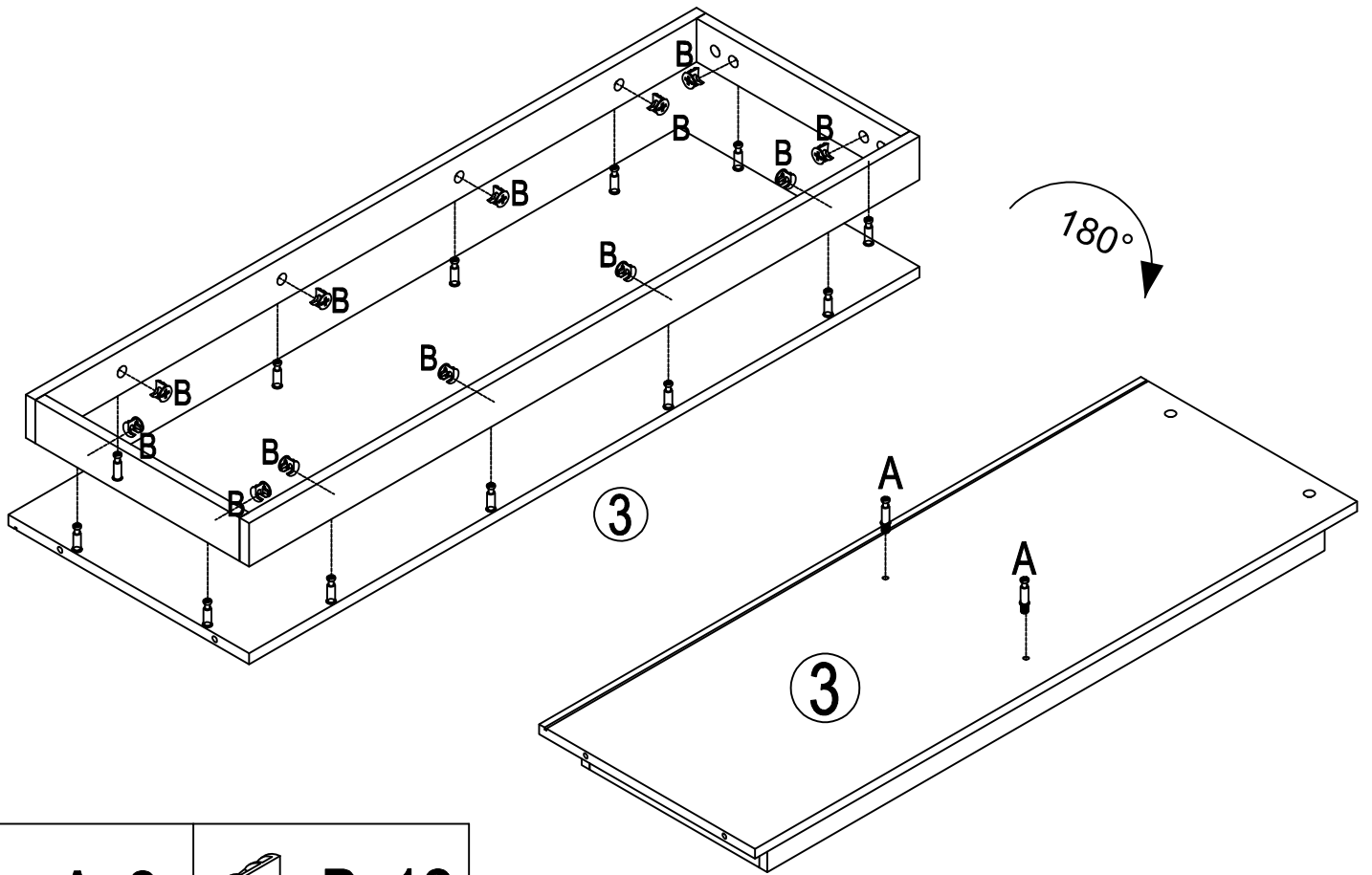
Ax4



Bx4



STEP 3

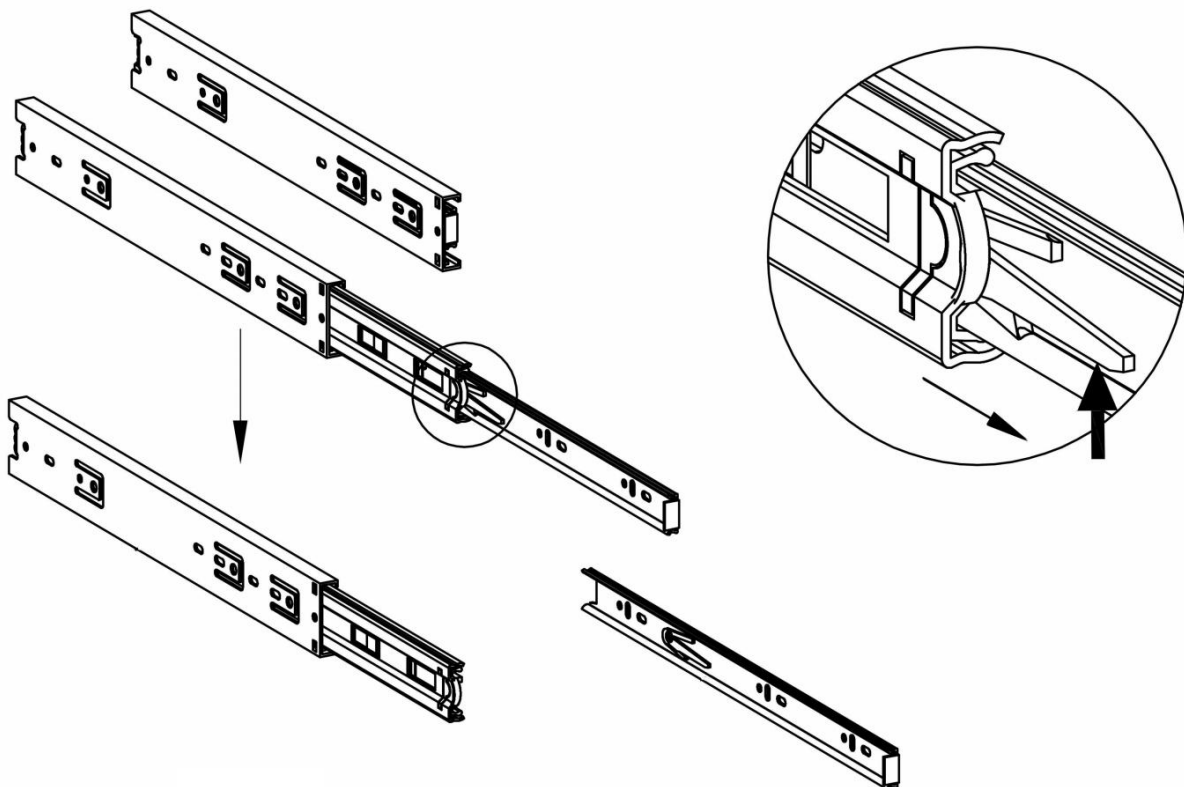


Ax2

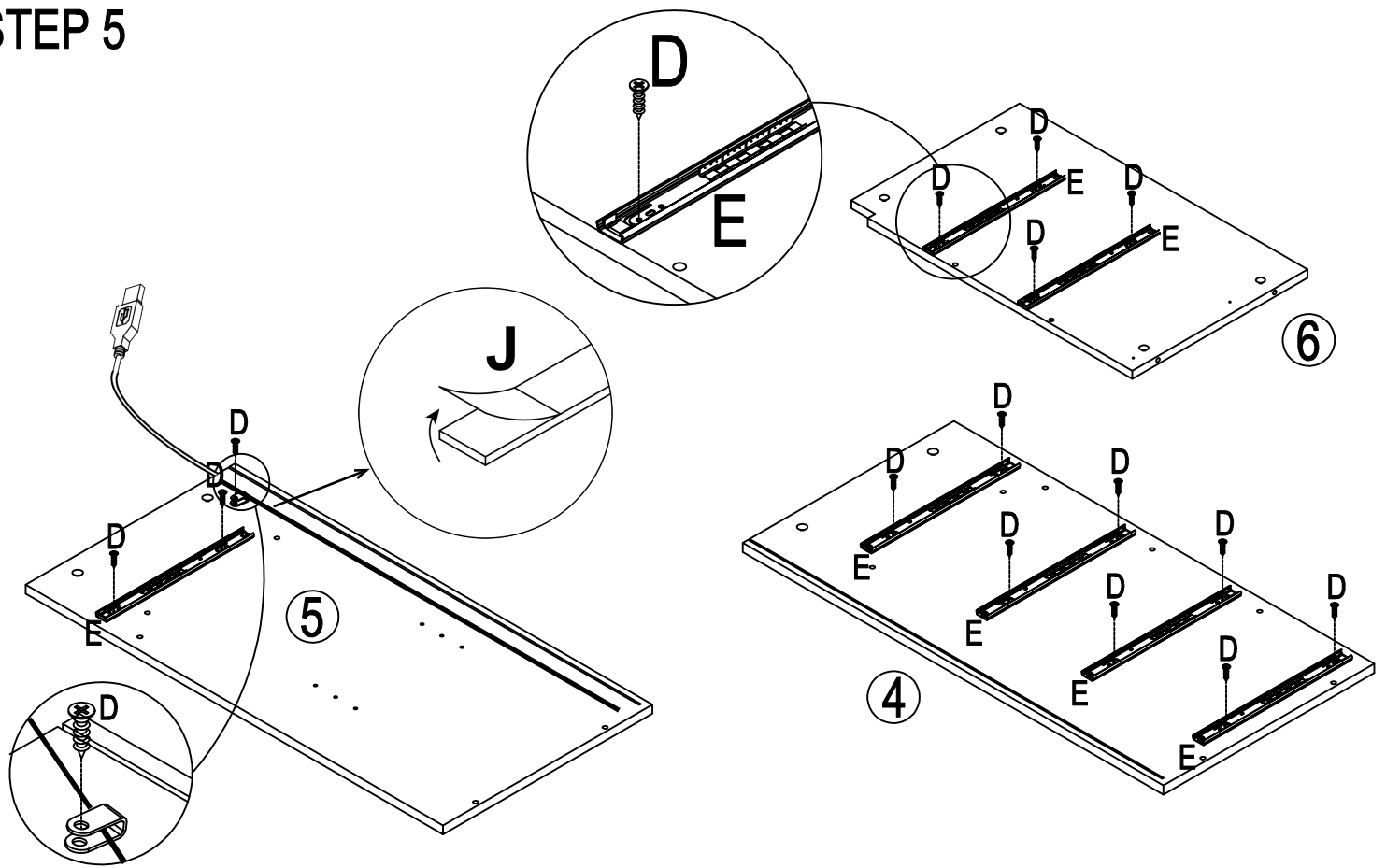


Bx12

STEP 4

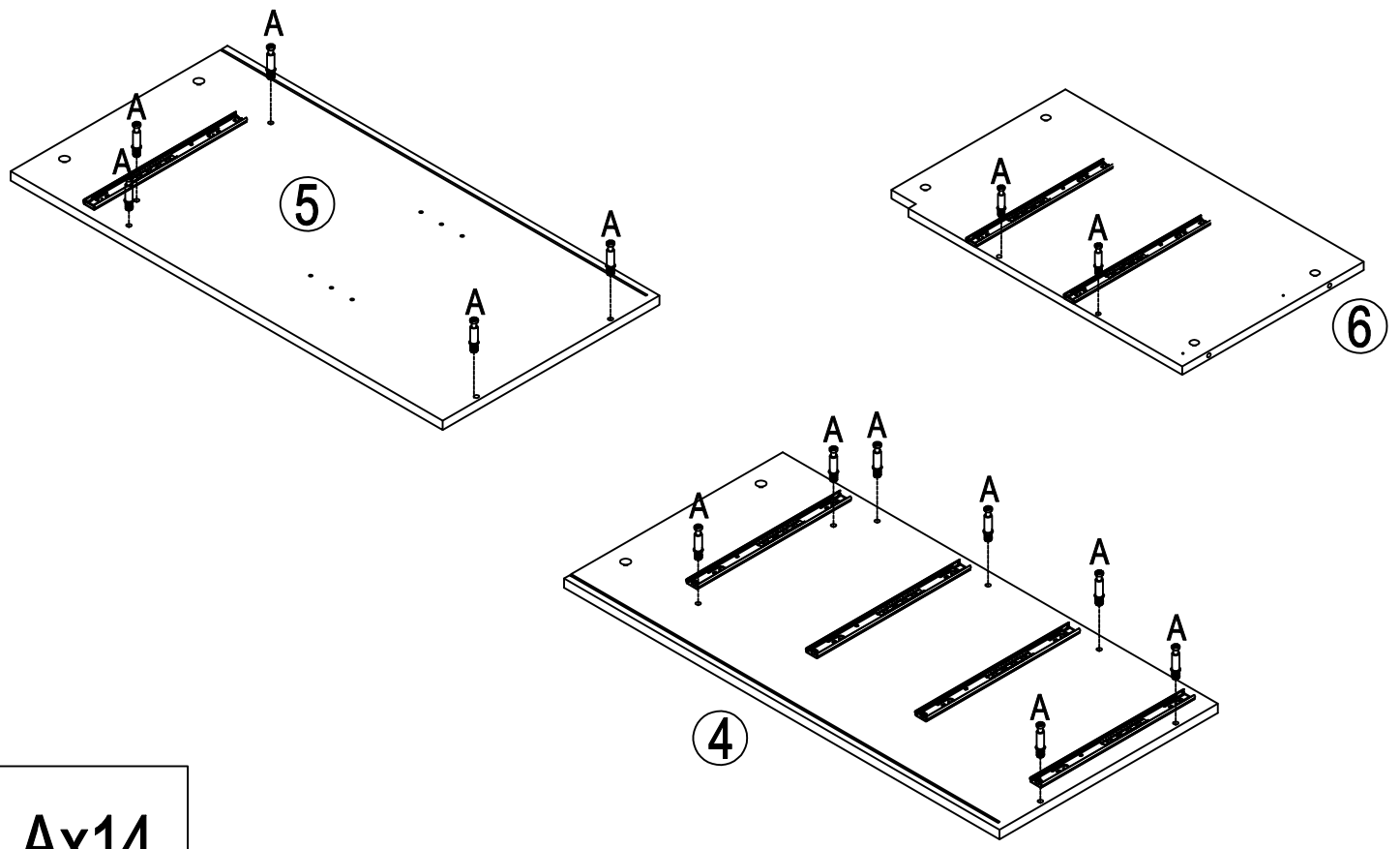



STEP 5



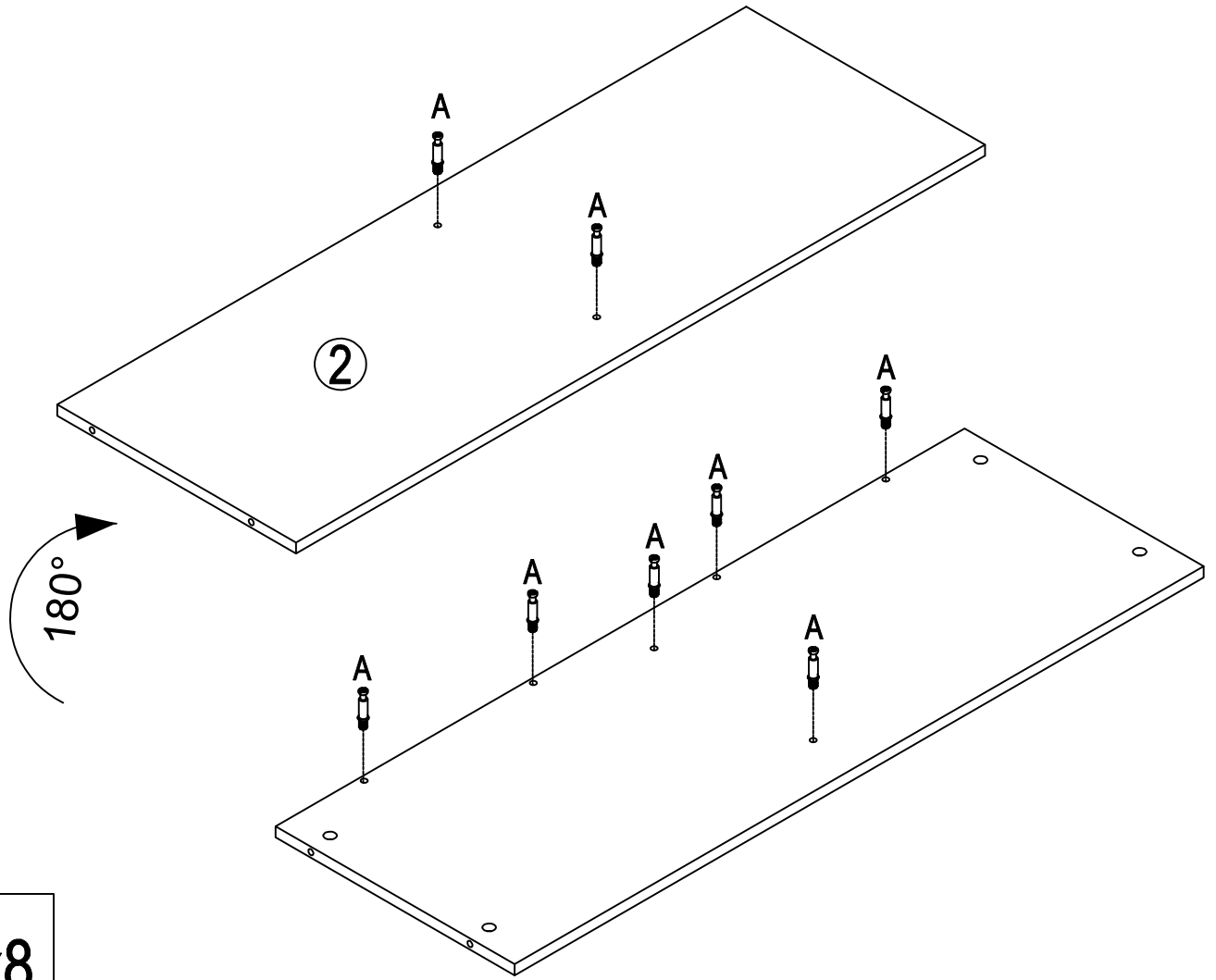
	Ex7		Dx15		Jx1
--	------------	---	-------------	---	------------

STEP 6



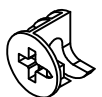
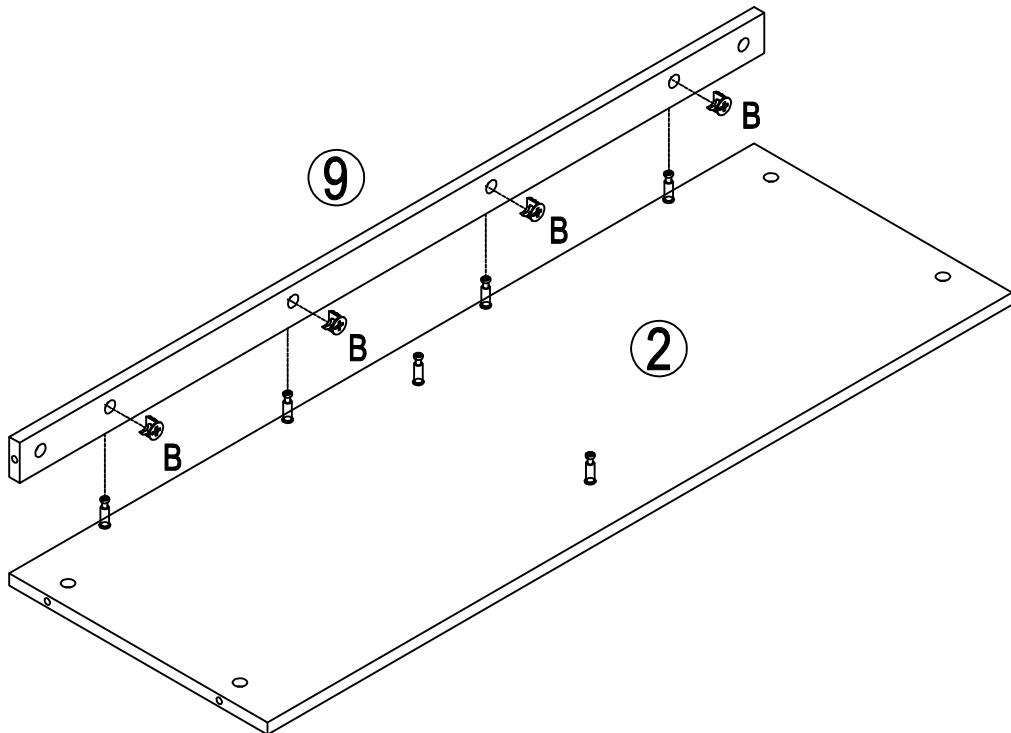
	Ax14
---	-------------

STEP 7



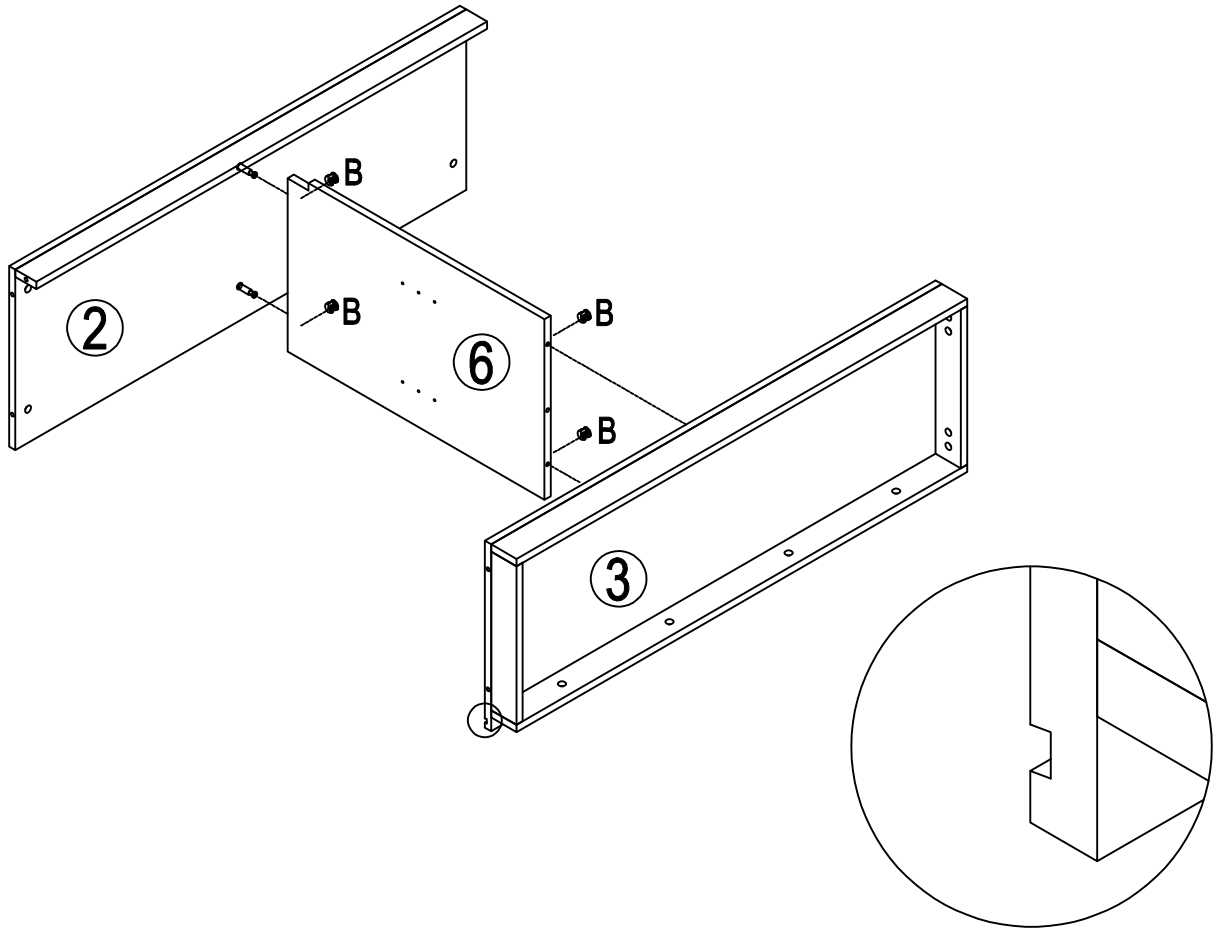
Ax8

STEP 8



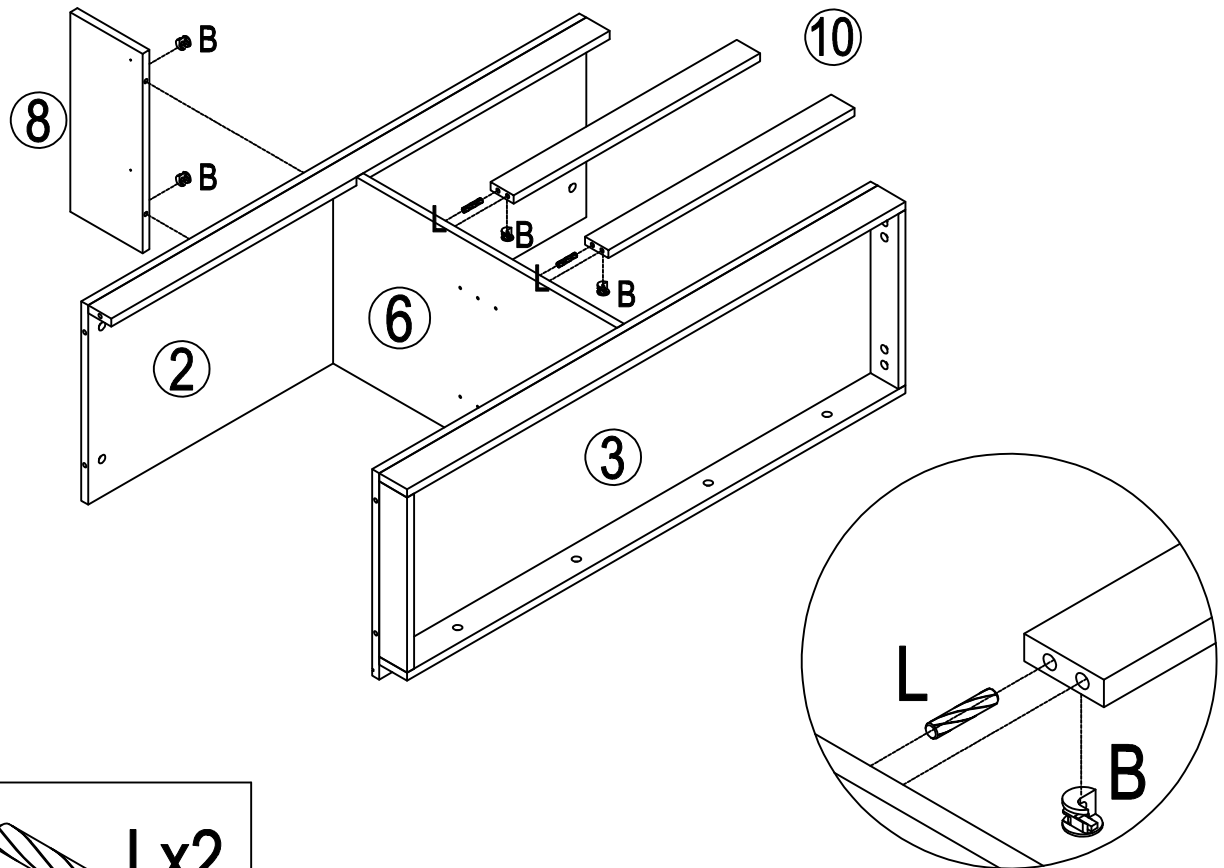
Bx4

STEP 9



 Bx4

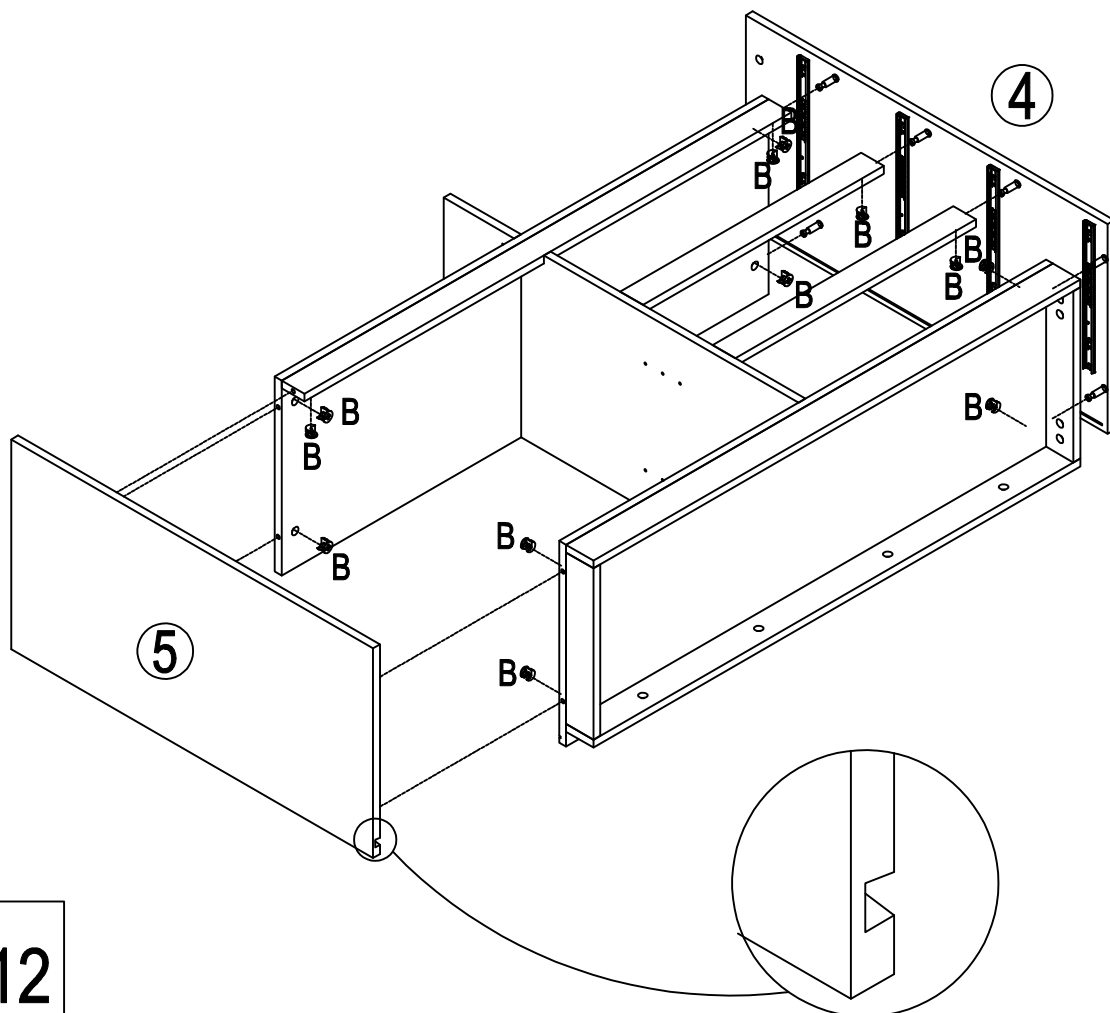
STEP 10



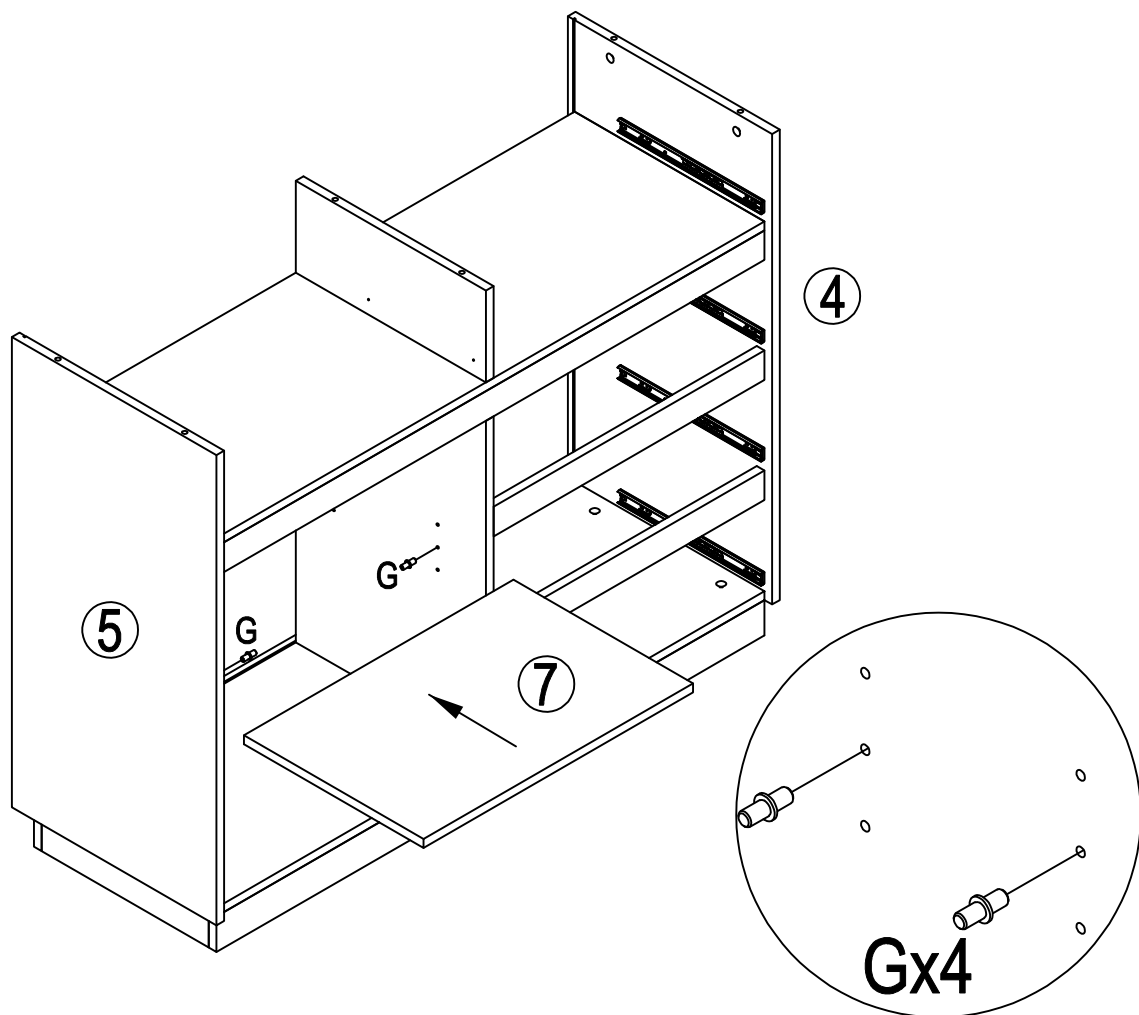
 Bx4

 Lx2

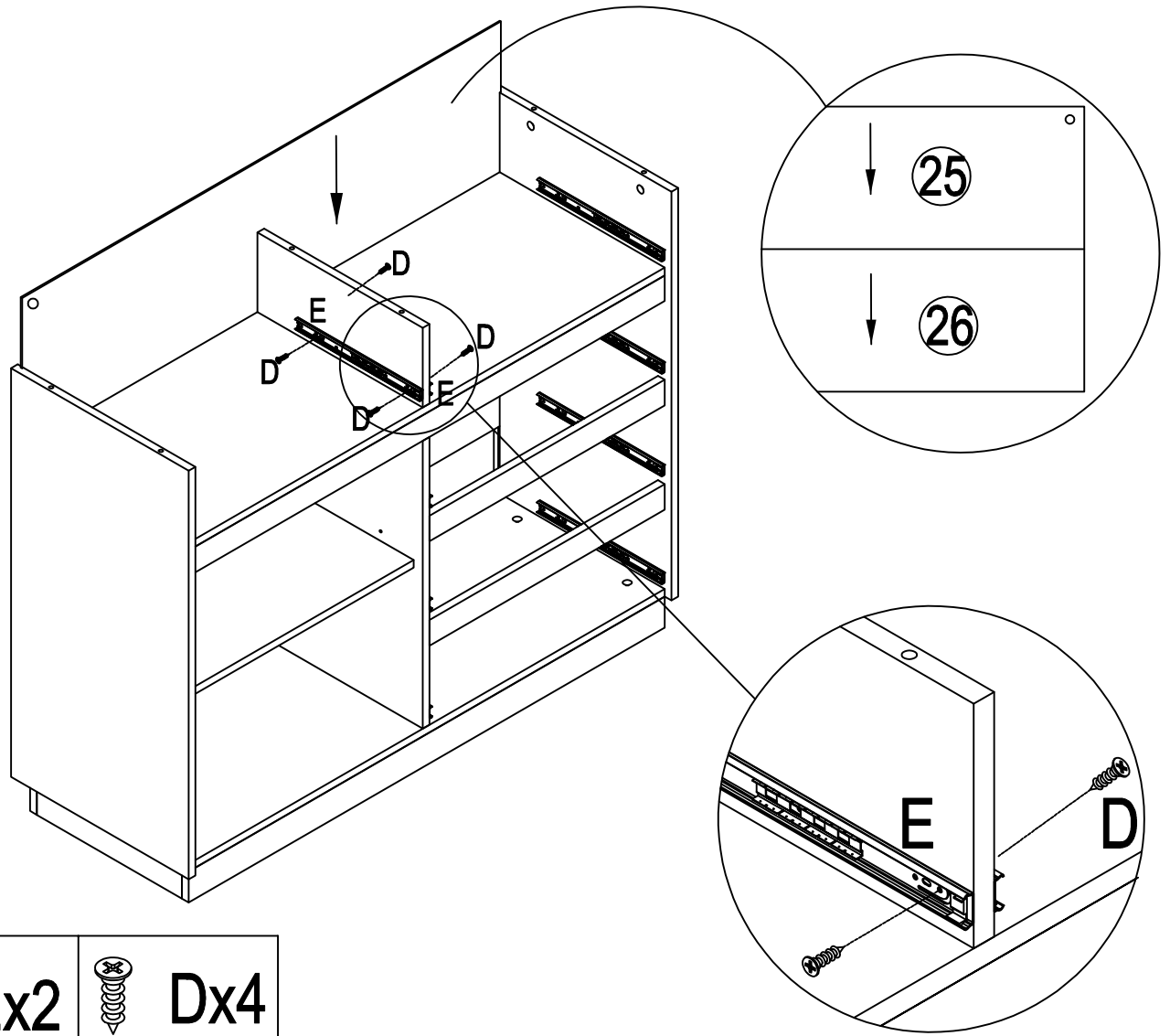
STEP 11





STEP 12

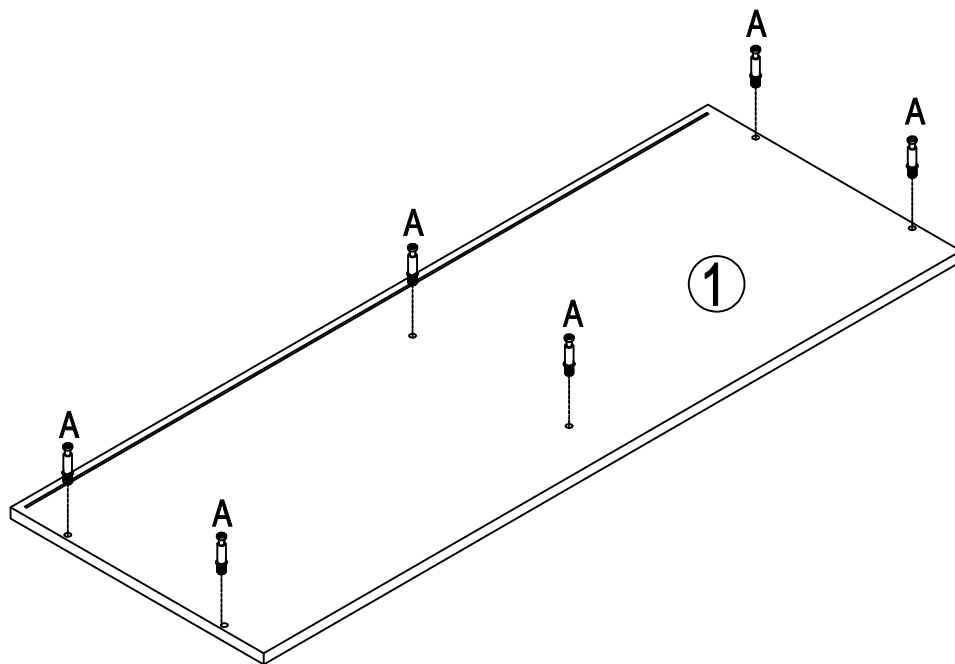


STEP 13



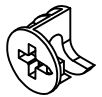
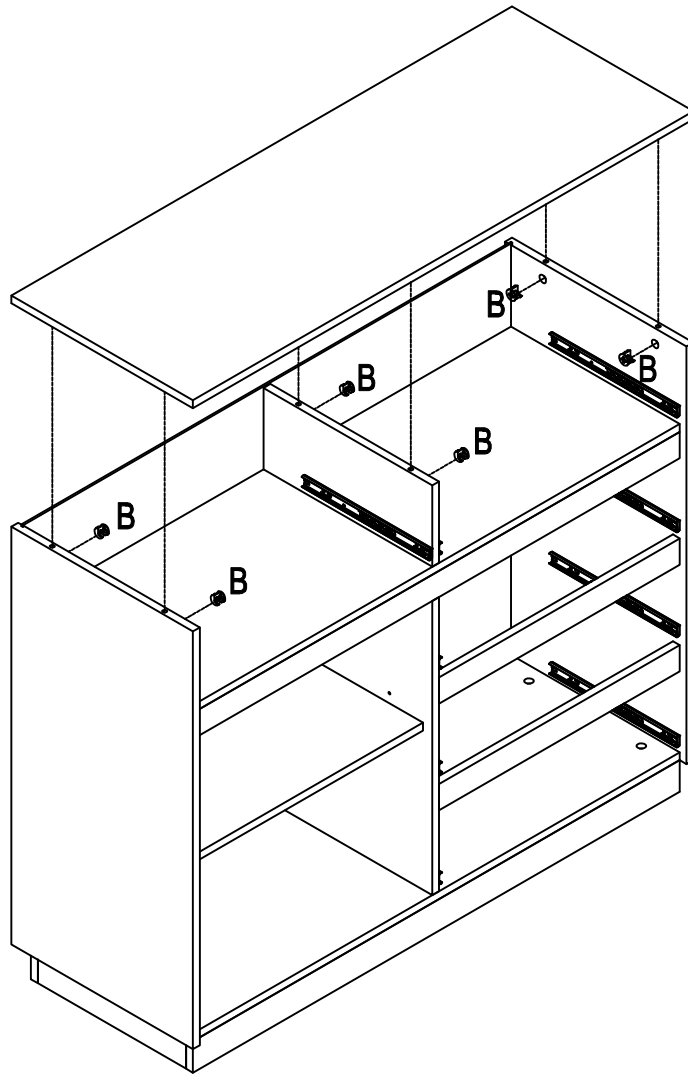
	Ex2		Dx4
--	------------	---	------------

STEP 14



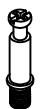
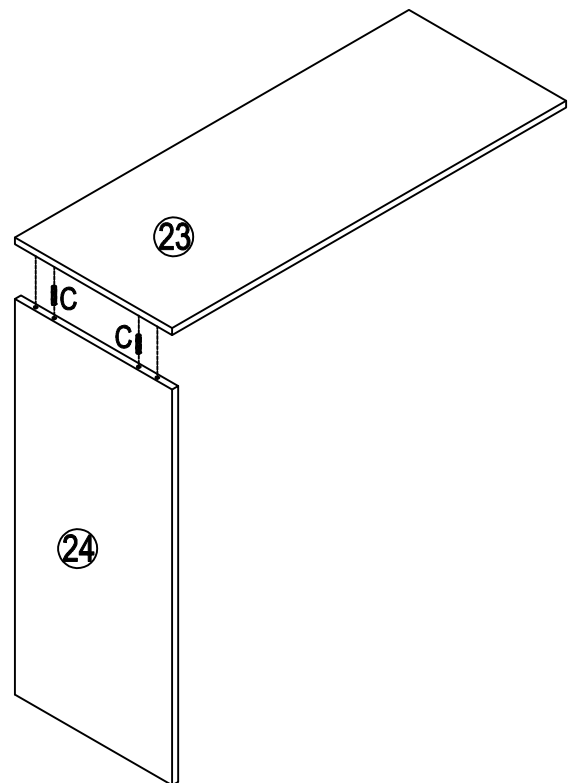
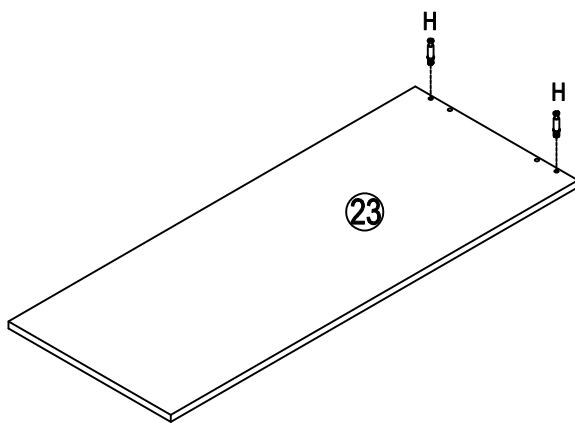
	Ax6
---	------------

STEP 15

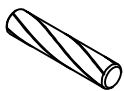


Bx6

STEP 16

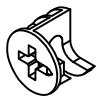
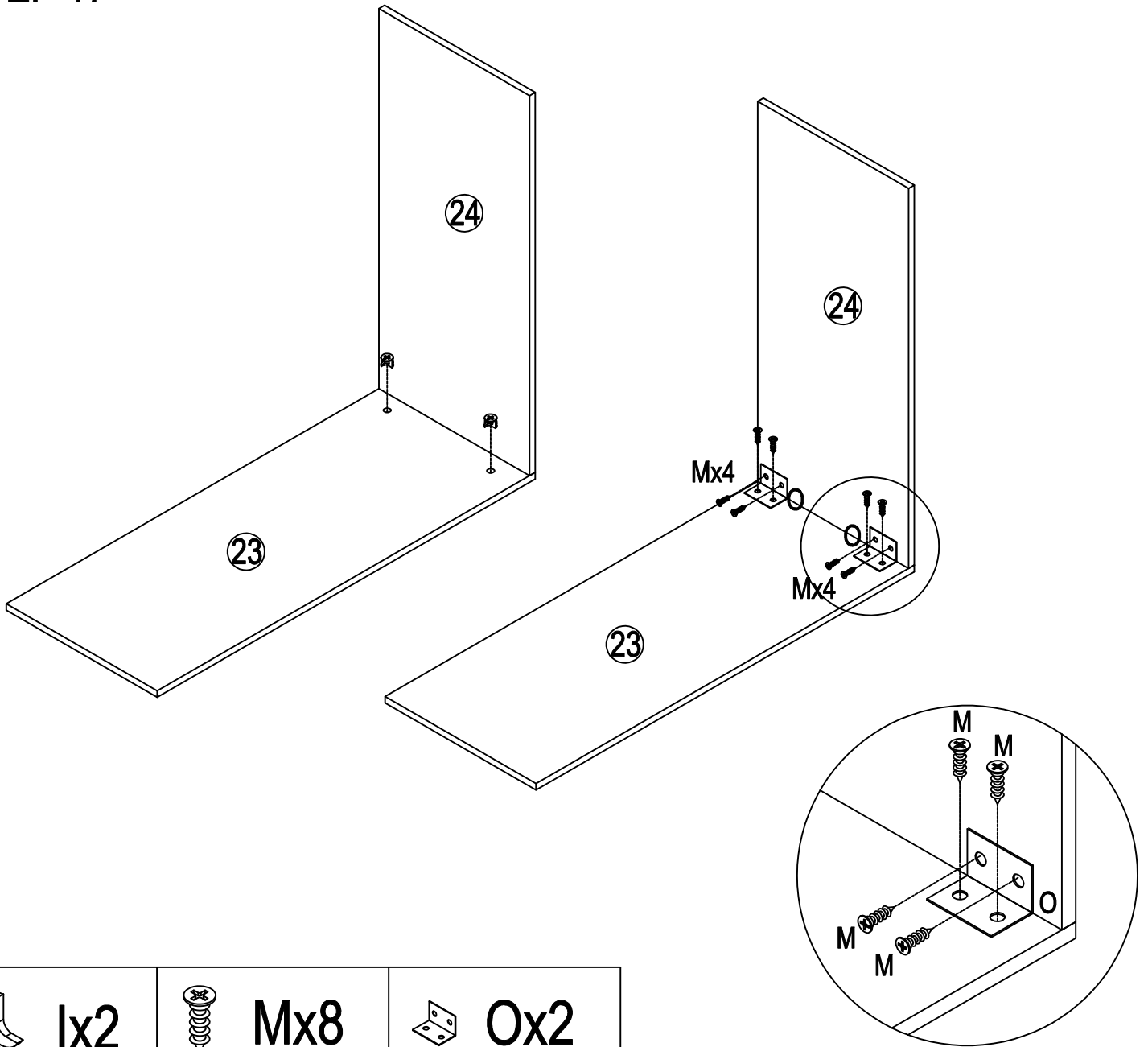


Hx2



Cx2

STEP 17



lx2

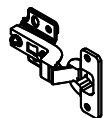
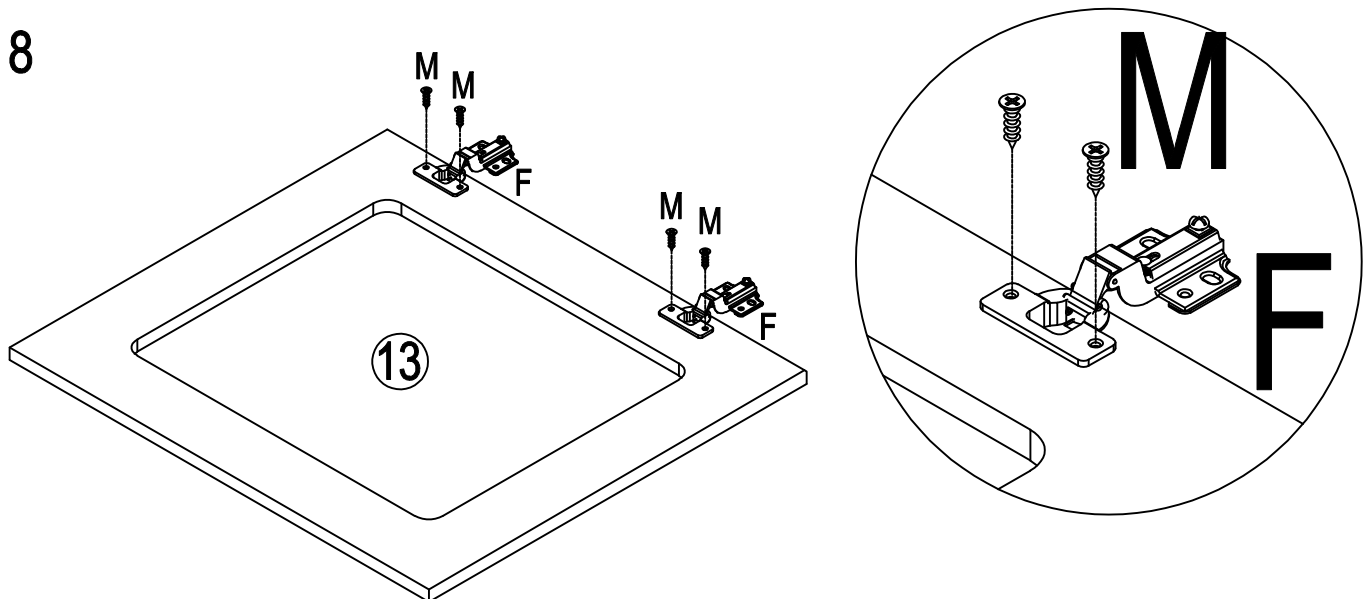


Mx8



Ox2

STEP 18

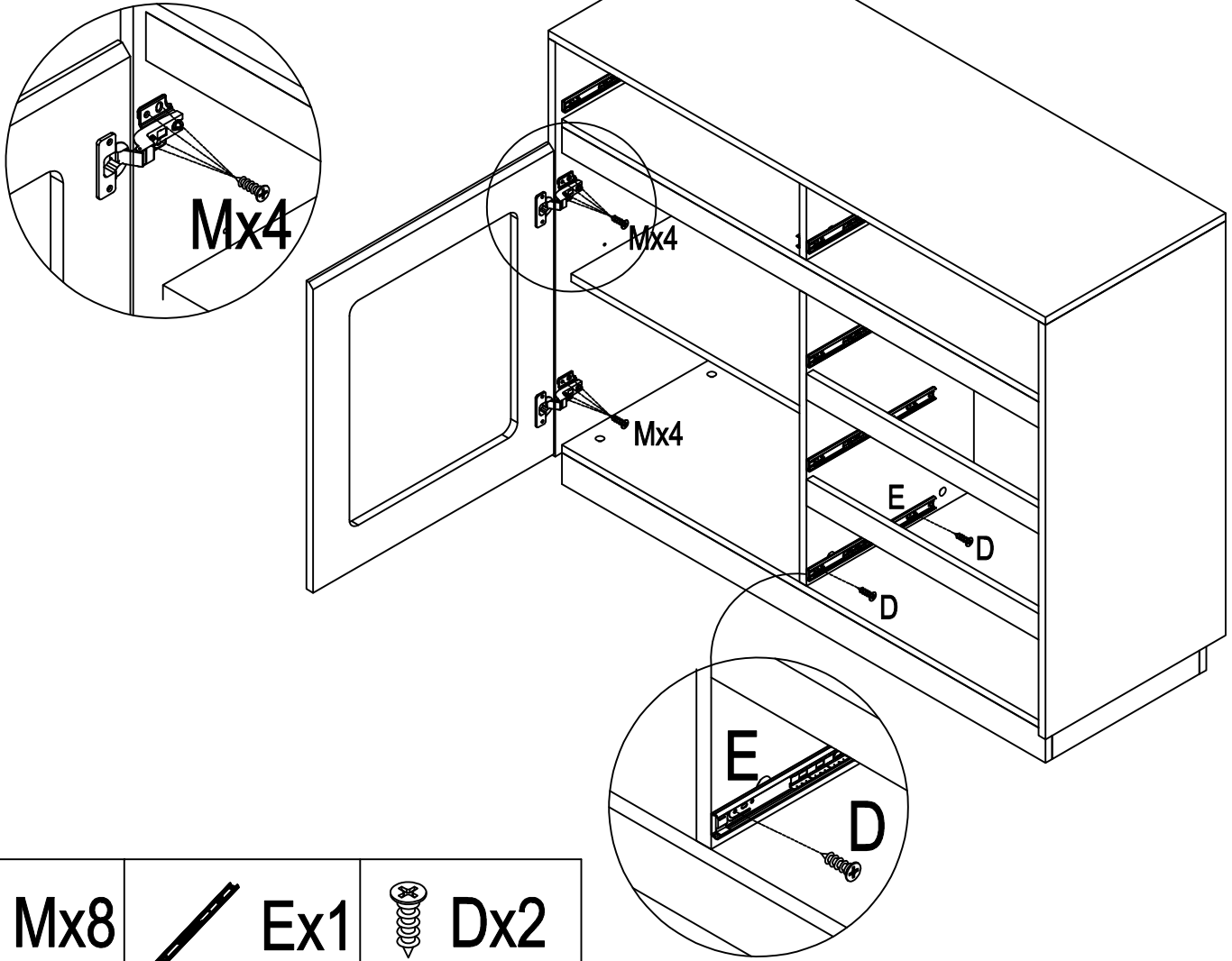


Fx2



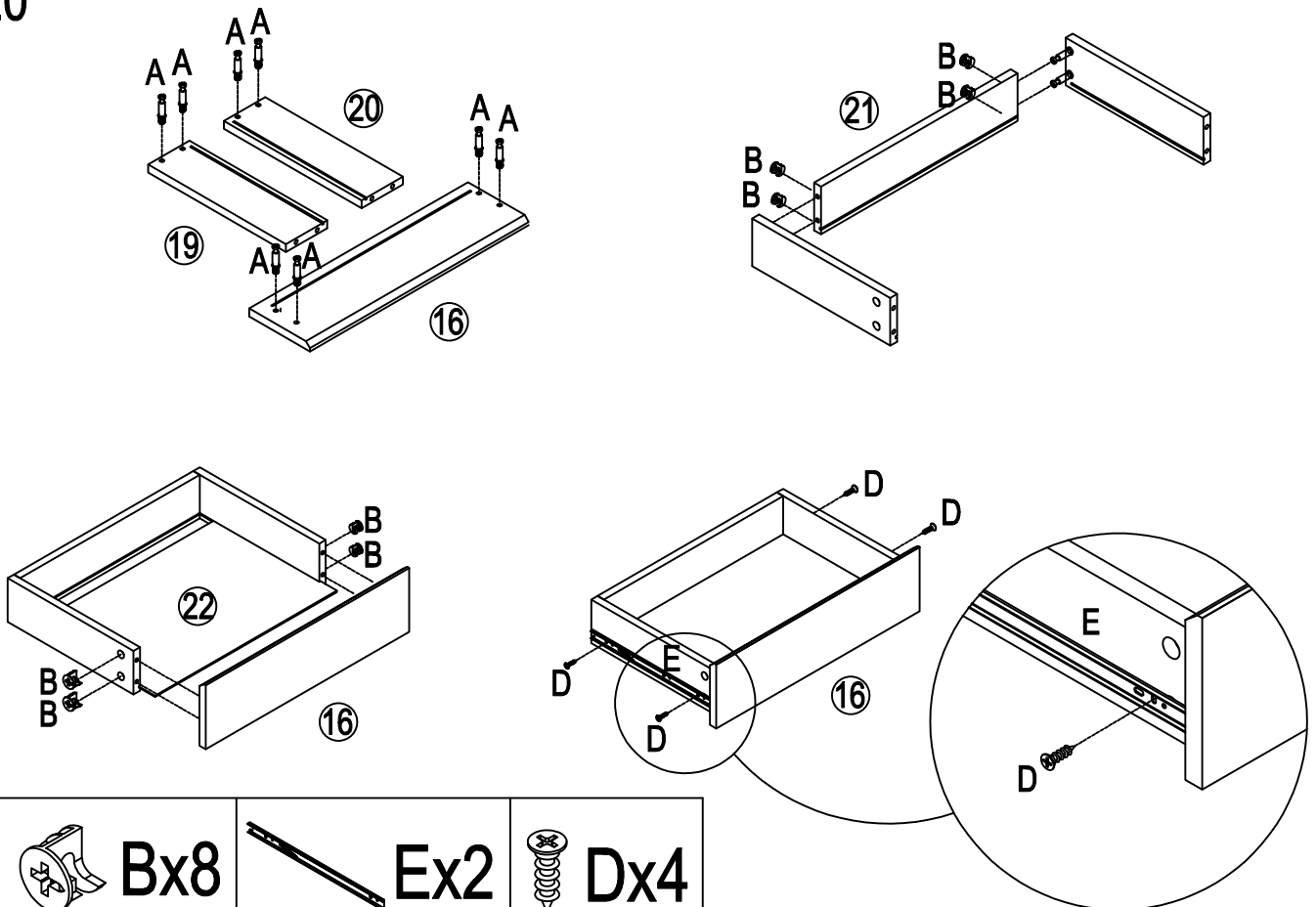
Mx4


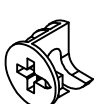


STEP 19



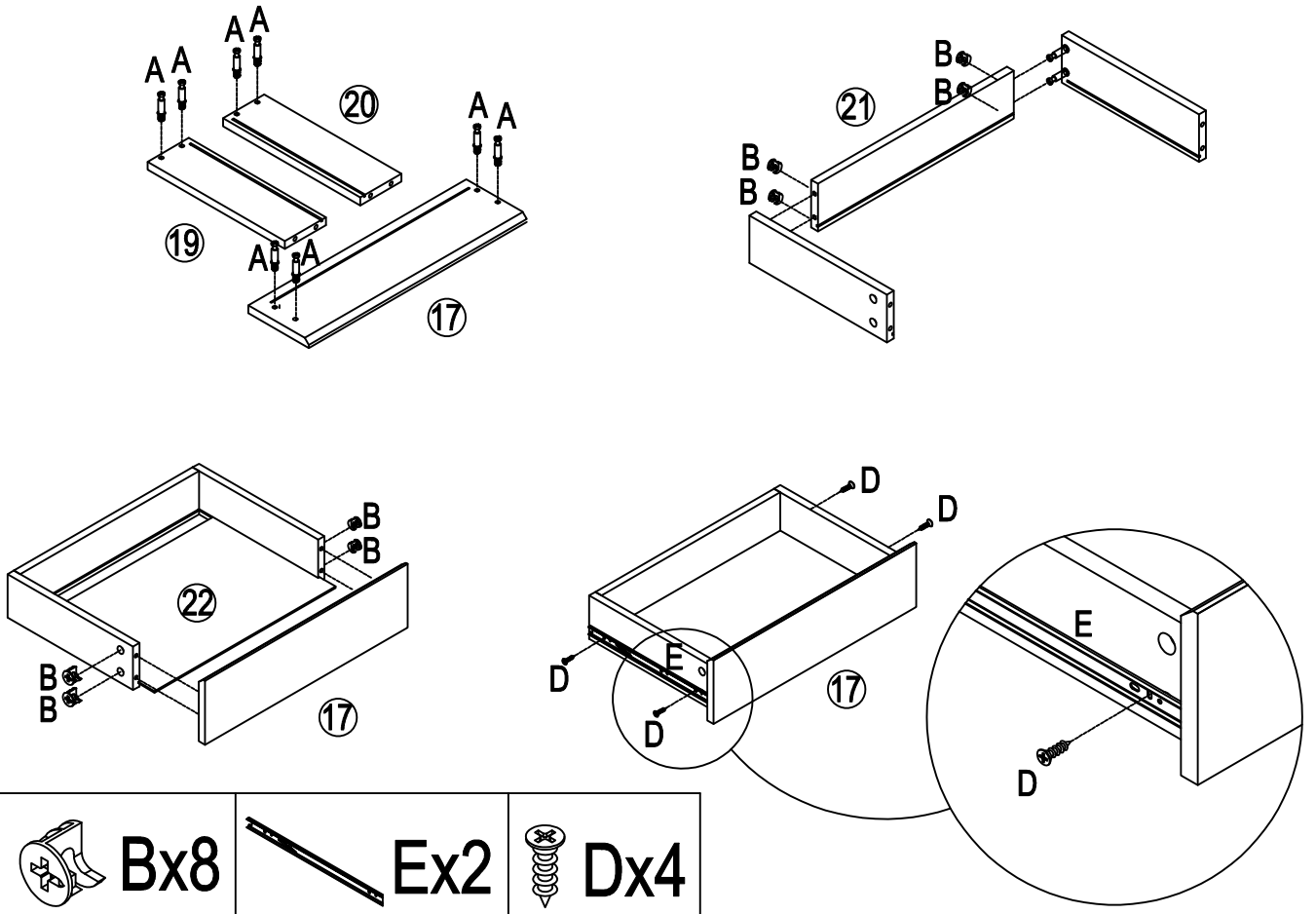
 Mx8	 Ex1	 Dx2
---	---	---


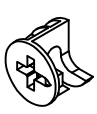
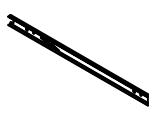

STEP 20



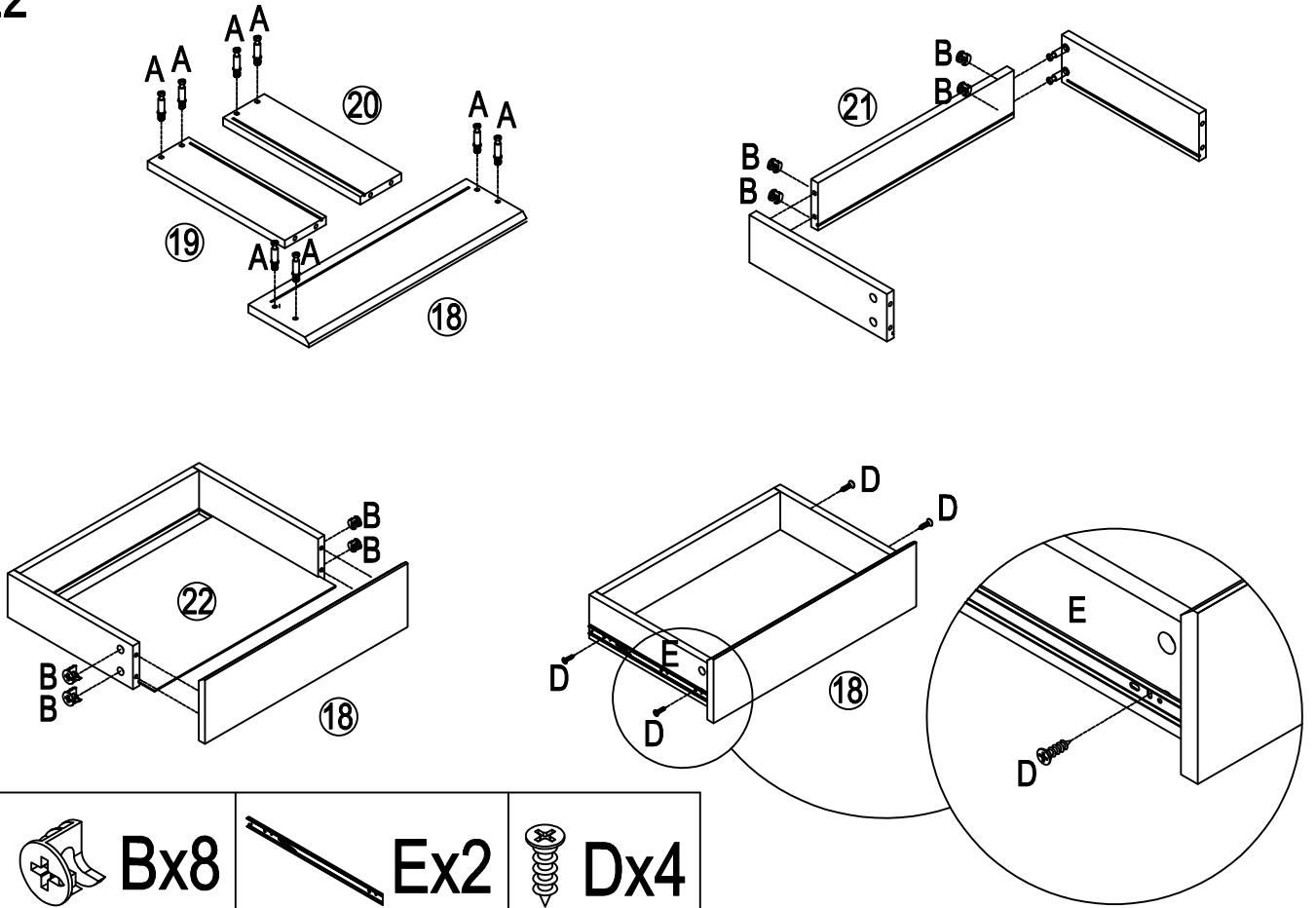
 Ax8	 Bx8	 Ex2	 Dx4
---	---	---	---


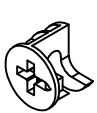


STEP 21



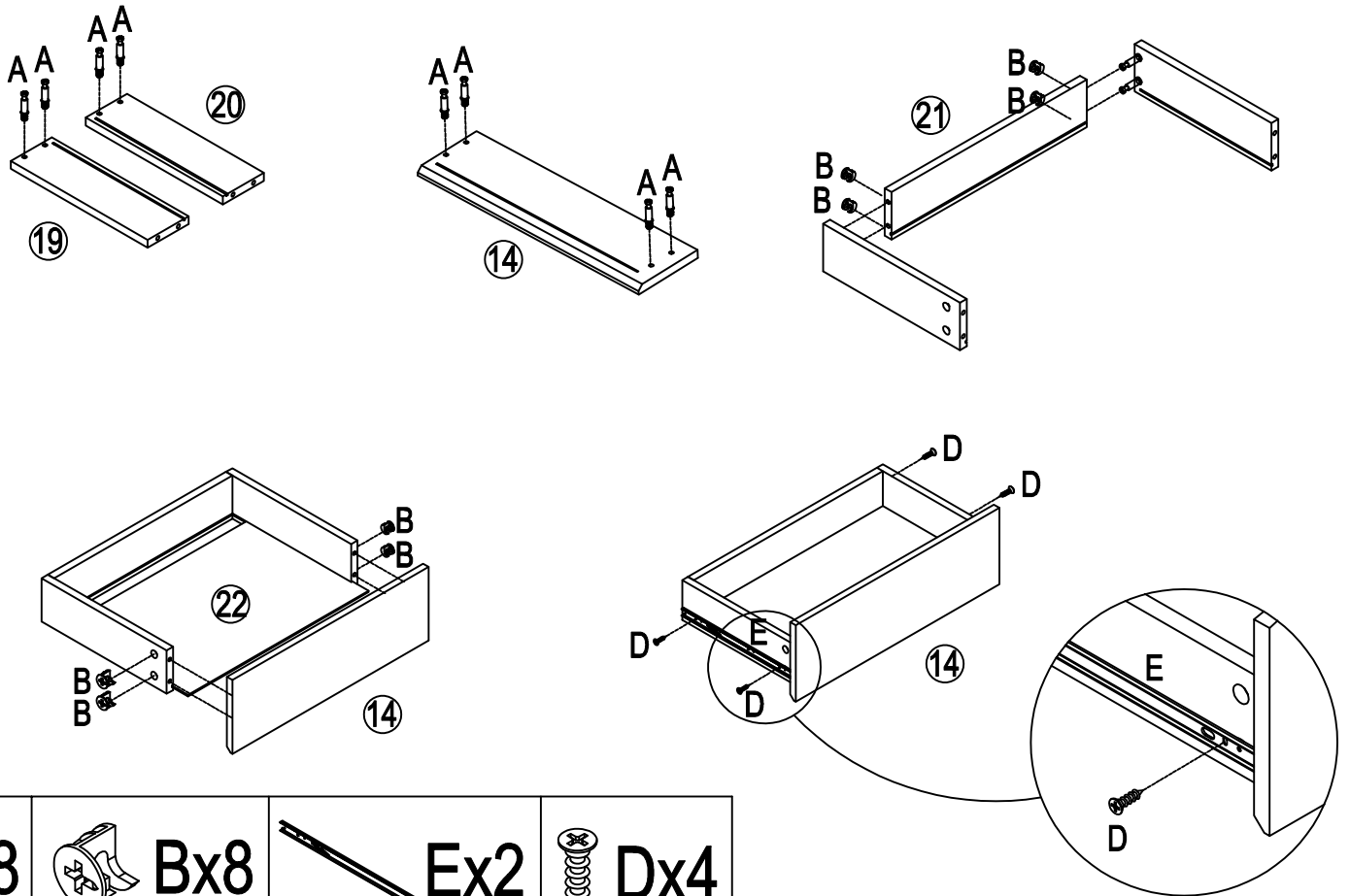
- | | | | |
|---|---|---|---|
|  Ax8 |  Bx8 |  Ex2 |  Dx4 |
|---|---|---|---|

STEP 22

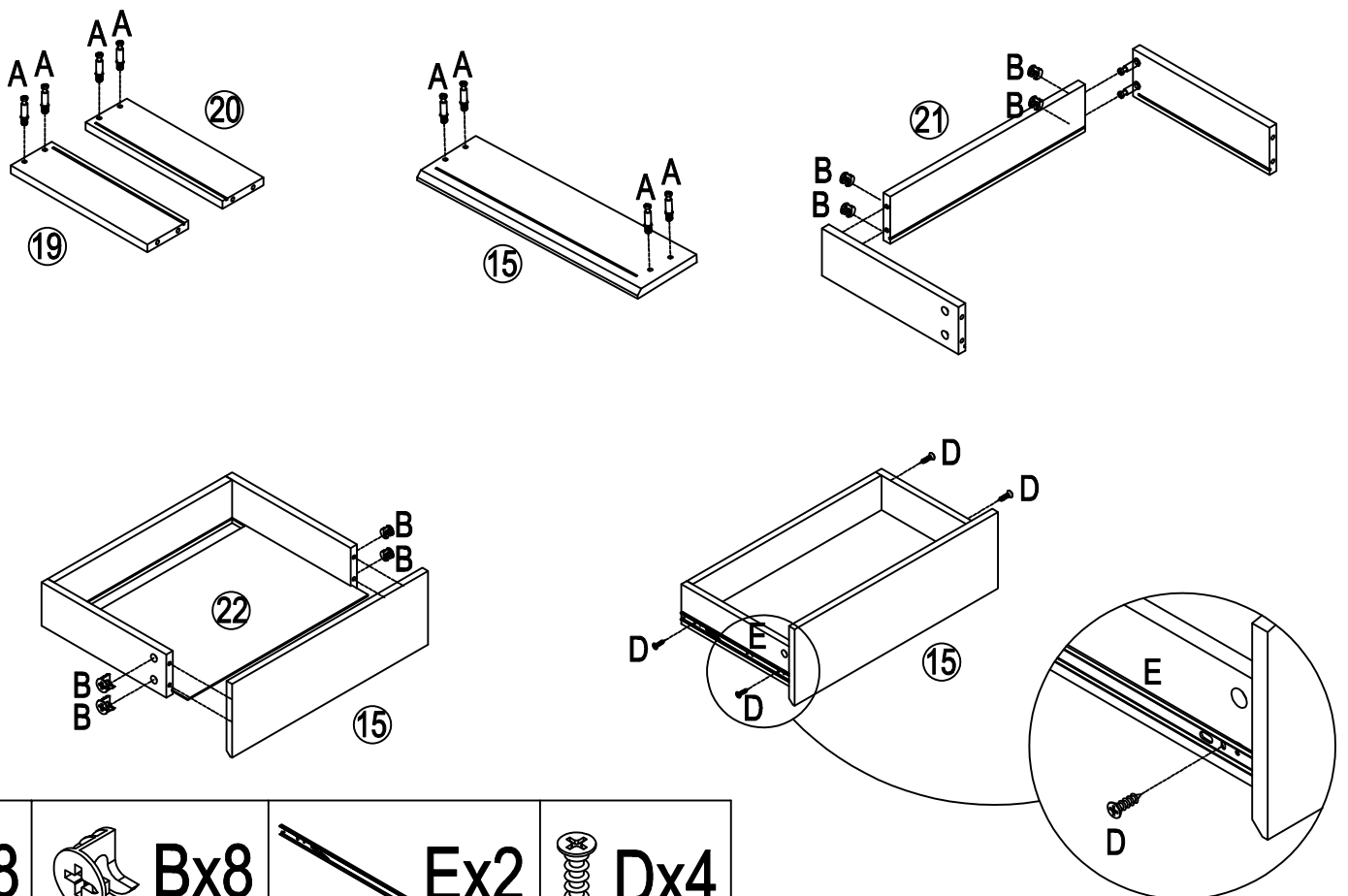


- | | | | |
|---|---|---|---|
|  Ax8 |  Bx8 |  Ex2 |  Dx4 |
|---|---|---|---|

STEP 23



STEP 24



STEP 25

