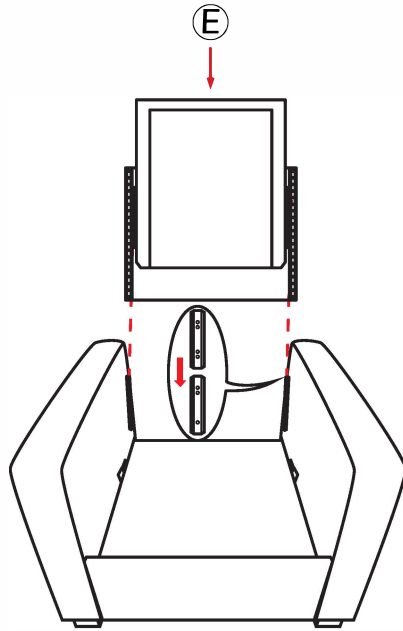


Model: \_\_\_\_\_

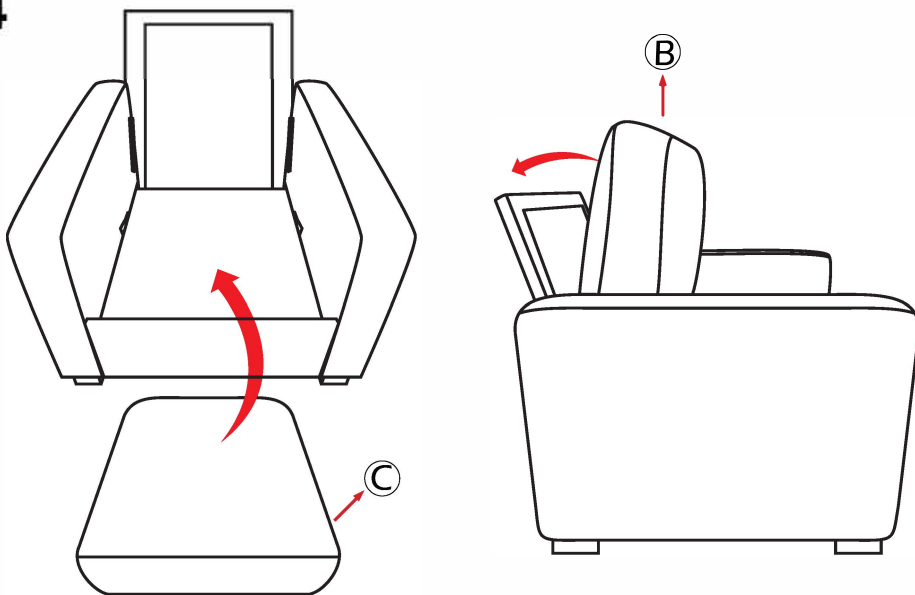
Lot No: \_\_\_\_\_

Date of Purchase: \_\_\_\_\_

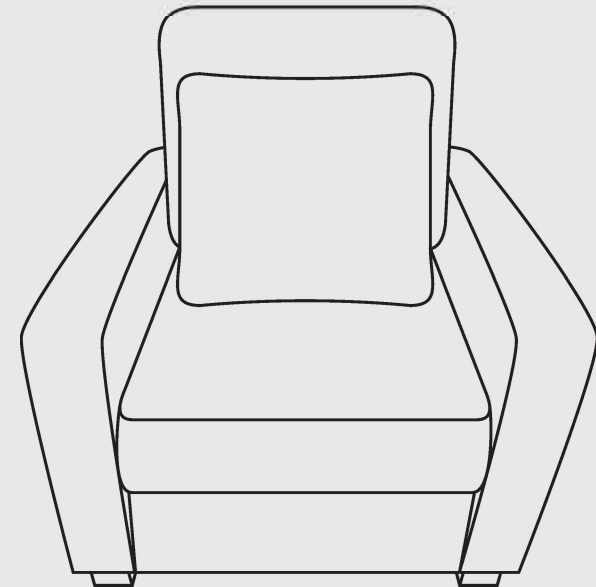
3



4



## CHAIR WITH PILLOWS



### ADULT ASSEMBLY REQUIRED

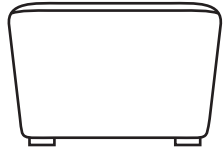
If you are missing any parts or have any questions regarding assembly, do not return this item to the retailers store. Please call our toll- free customer service number and have this assembly manual open to the parts list ready to provide the model name, and part name or number.



**WARNING:** This product may contain small components, please ensure they are kept away from small children.

## PARTS AND HARDWARE

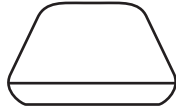
Avoid using sharp objects such as a knife to cut open packing as you may accidentally damage the upholstery.



A. Arms

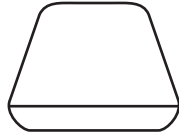
2x

(\*packed in separate box)



B. Back Cushion

2x



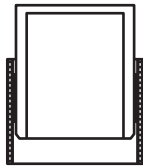
C. Seat Cushion

2x



D. Base Connector

1x



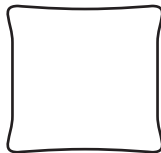
E. Backrest

1x



F. Seat Base

1x



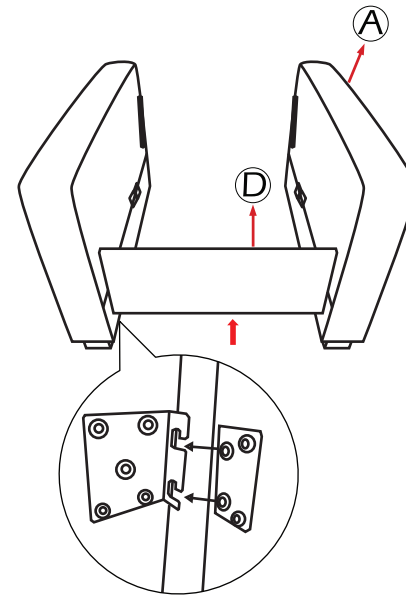
G. Pillow

1x

## ASSEMBLY INSTRUCTIONS

Do not fully tighten bolts until assembly is complete.

# 1



# 2

