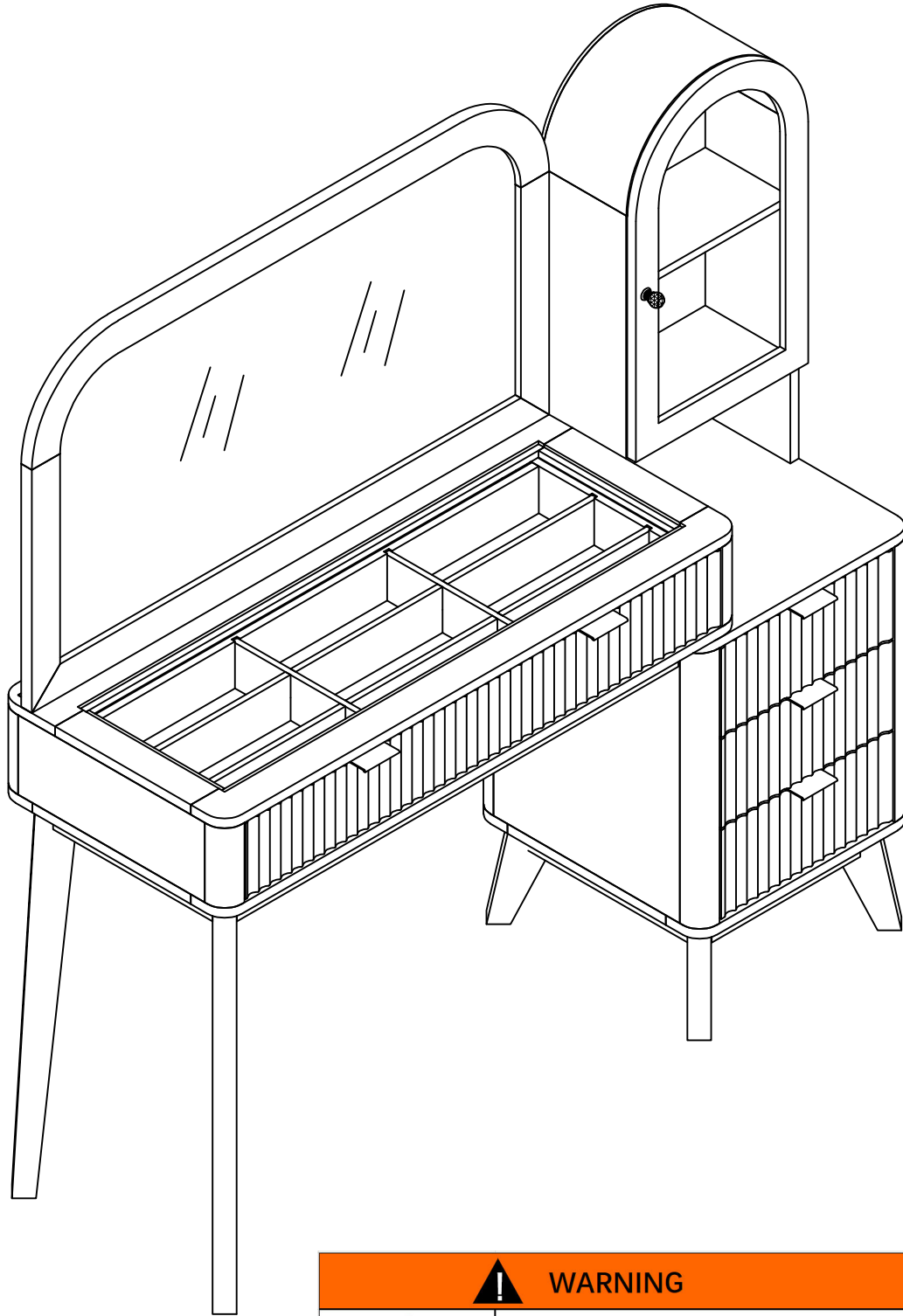




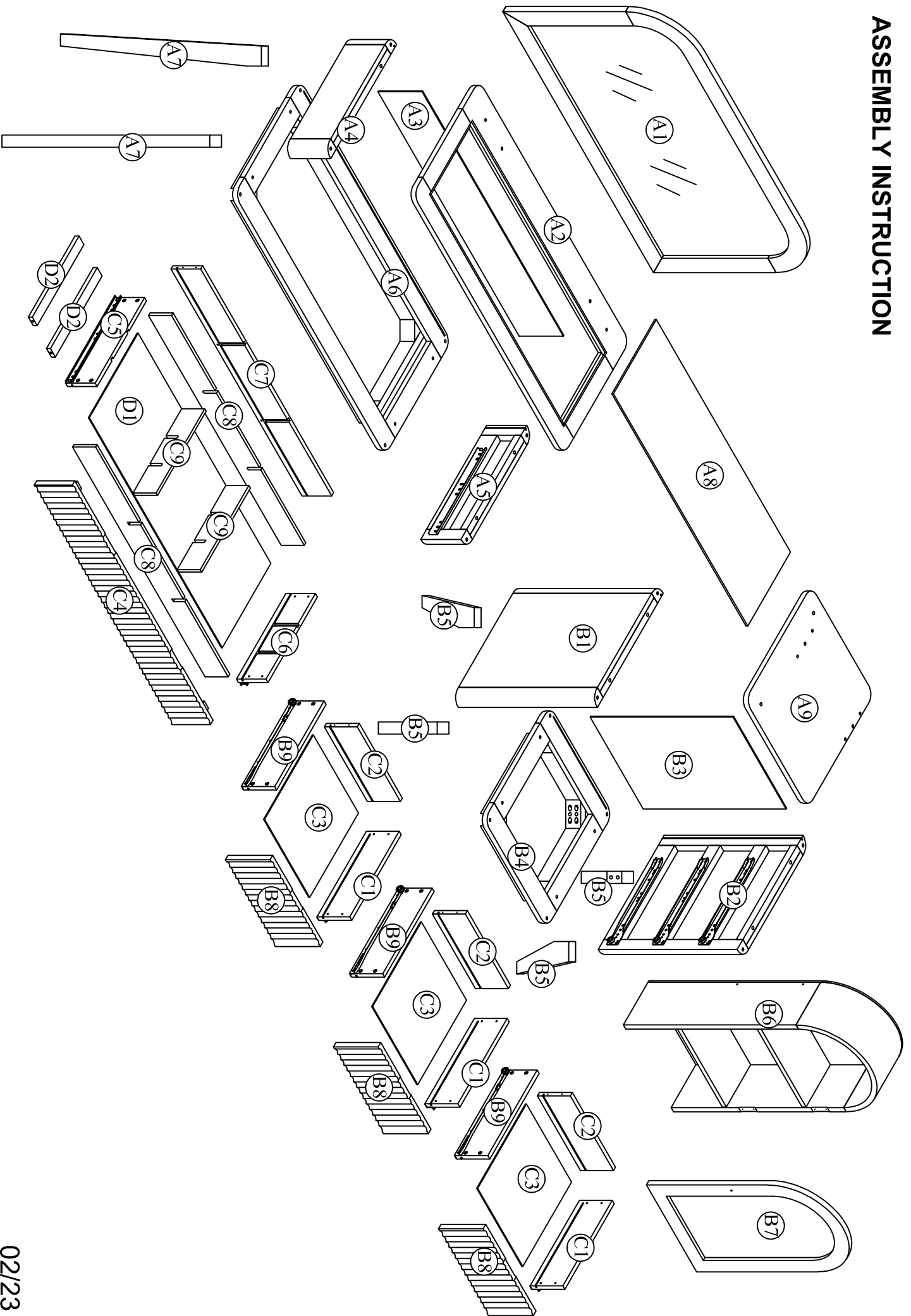
ASSEMBLY INSTRUCTION

SKU CODE: (N704P420034)

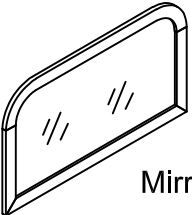
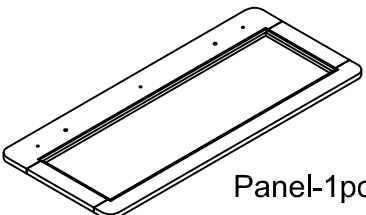
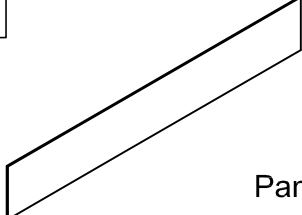
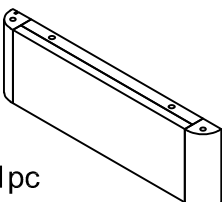
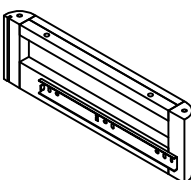
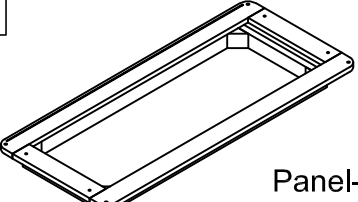

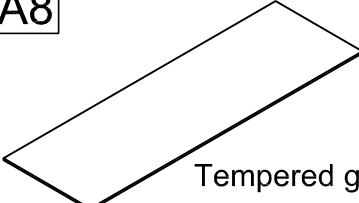
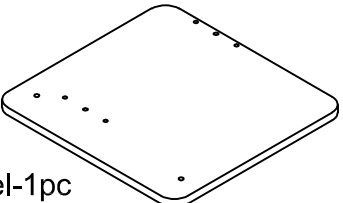
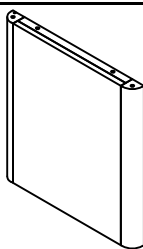
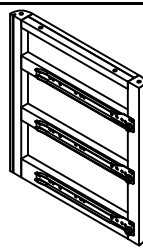
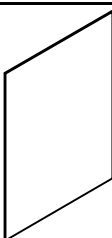
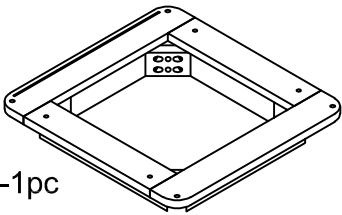

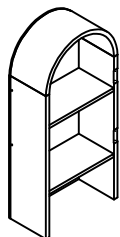
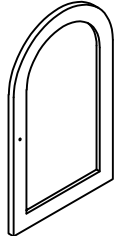
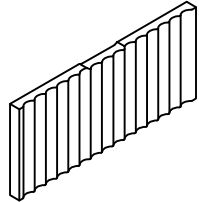
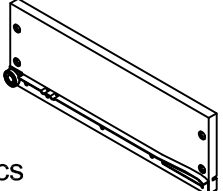
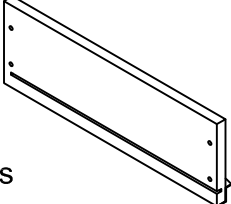
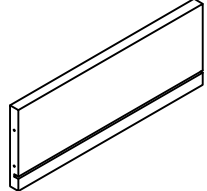
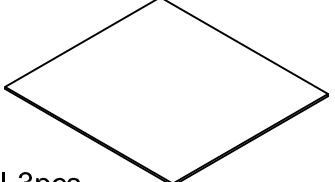


 WARNING	
	<p>This product is NOT a Clothing Storage Unit (CSU). DO NOT use it for clothing storage. Improper use may cause furniture tipover.</p>

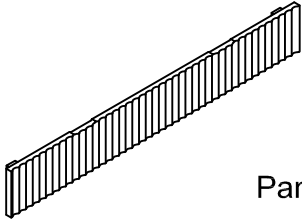
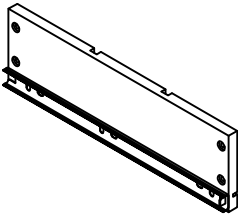
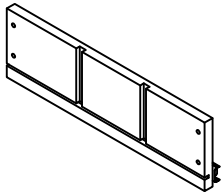
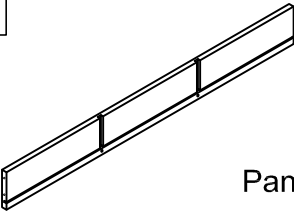
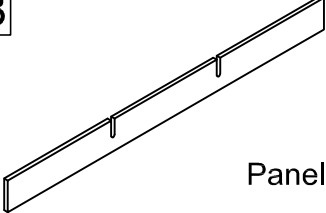
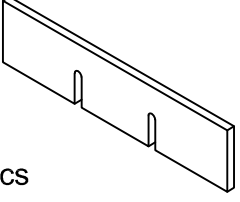
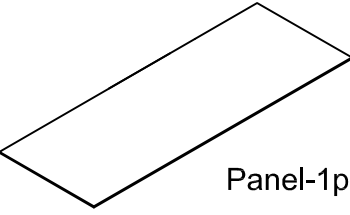
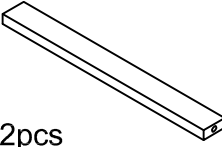
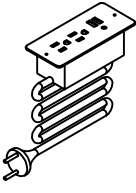
ASSEMBLY INSTRUCTION



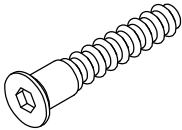
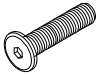
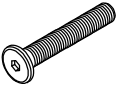
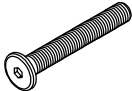
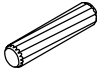
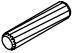
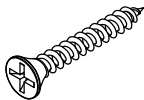
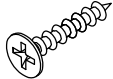
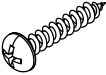
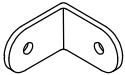
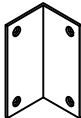
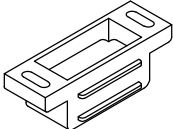
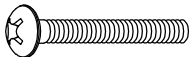

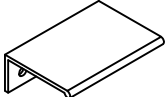
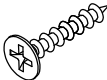

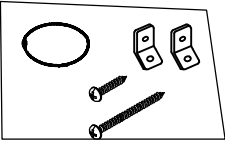
Part List (Box-N704P420034)

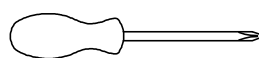
<p>A1</p>  <p>Mirror frame-1pc</p>	<p>A2</p>  <p>Panel-1pc</p>	<p>A3</p>  <p>Panel-1pc</p>
<p>A4</p>  <p>Panel-1pc</p>	<p>A5</p>  <p>Panel-1pc</p>	<p>A6</p>  <p>Panel-1pc</p>
<p>A7</p>  <p>Leg-2pcs</p>	<p>A8</p>  <p>Tempered glass-1pc</p>	<p>A9</p>  <p>Panel-1pc</p>
<p>B1</p>  <p>Panel-1pc</p>	<p>B2</p>  <p>Panel-1pc</p>	<p>B3</p>  <p>Panel-1pc</p>
<p>B4</p>  <p>Panel-1pc</p>	<p>B5</p>  <p>Leg-4pcs</p>	<p>B6</p>  <p>Panel-1pc</p>
<p>B7</p>  <p>Panel-1pc</p>	<p>B8</p>  <p>Panel-3pcs</p>	<p>B9</p>  <p>Panel-3pcs</p>
<p>C1</p>  <p>Panel-3pcs</p>	<p>C2</p>  <p>Panel-3pcs</p>	<p>C3</p>  <p>Panel-3pcs</p>

Part List (Box-N704P420034)

<p>C4</p>  <p>Panel-1pc</p>	<p>C5</p>  <p>Panel-1pc</p>	<p>C6</p>  <p>Panel-1pc</p>
<p>C7</p>  <p>Panel-1pc</p>	<p>C8</p>  <p>Panel-2pcs</p>	<p>C9</p>  <p>Panel-2pcs</p>
<p>D1</p>  <p>Panel-1pc</p>	<p>D2</p>  <p>WoodBar-2pcs</p>	<p>D3</p>  <p>USB 1PC</p>

Hardware List (Box-N704P420034)

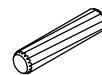
<p>1</p>  <p>Screws 1/4" x 45 mm - 15pcs</p>	<p>2</p>  <p>Bolts Ø1/4" x 25 mm - 2pcs</p>	<p>3</p>  <p>Bolts Ø1/4" x 30 mm - 8pcs</p>
<p>4</p>  <p>Bolts Ø1/4" x 35 mm - 12pcs</p>	<p>5</p>  <p>Wood dowel Ø8 x 30 mm - 20pcs</p>	<p>6</p>  <p>Wood dowel Ø6 x 30 mm -2pcs</p>
<p>7</p>  <p>Wood Screws M4 x 30mm-36pcs</p>	<p>8</p>  <p>Wood Screws M3 x 15mm-6pcs</p>	<p>9</p>  <p>Wood Screws M4 x 15mm-20pcs</p>
<p>10</p>  <p>Angle Metal 2pcs</p>	<p>11</p>  <p>Angle Metal 2pcs</p>	<p>12</p>  <p>Magnet Door Catcher 1pc</p>
<p>13</p>  <p>Bolts Ø1/6" x 15 mm - 1pc</p>	<p>14</p>  <p>Handle 1pc</p>	<p>15</p>  <p>Handle 5pcs</p>
<p>16</p>  <p>Wood Screws M3 x 12mm-6pcs</p>	<p>17</p>  <p>Allen Key - 1pc</p>	<p>18</p>  <p>Anti-tipping kit -2Sets</p>



Assembly Tools Required (Not Included)

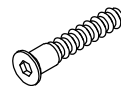
STEP 1:

5

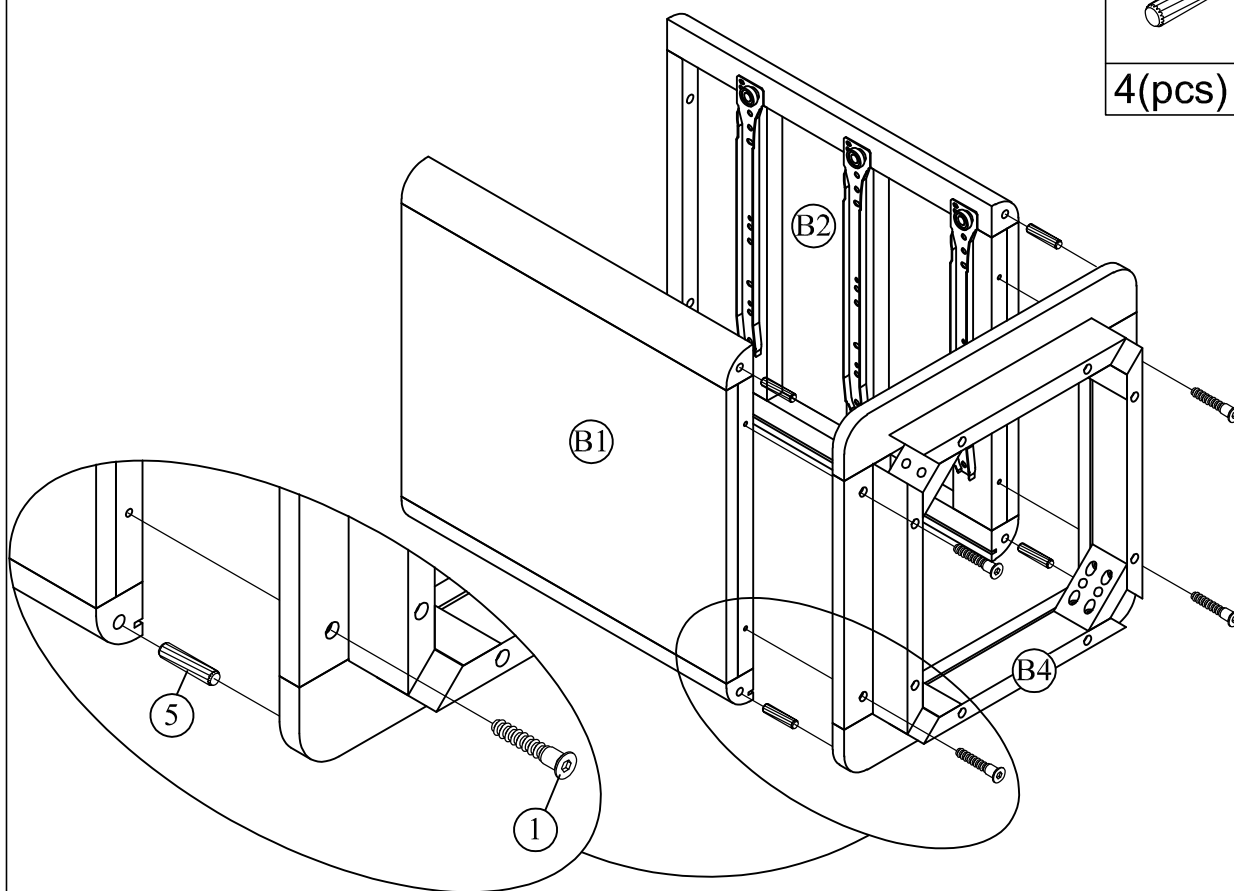


4(pcs)

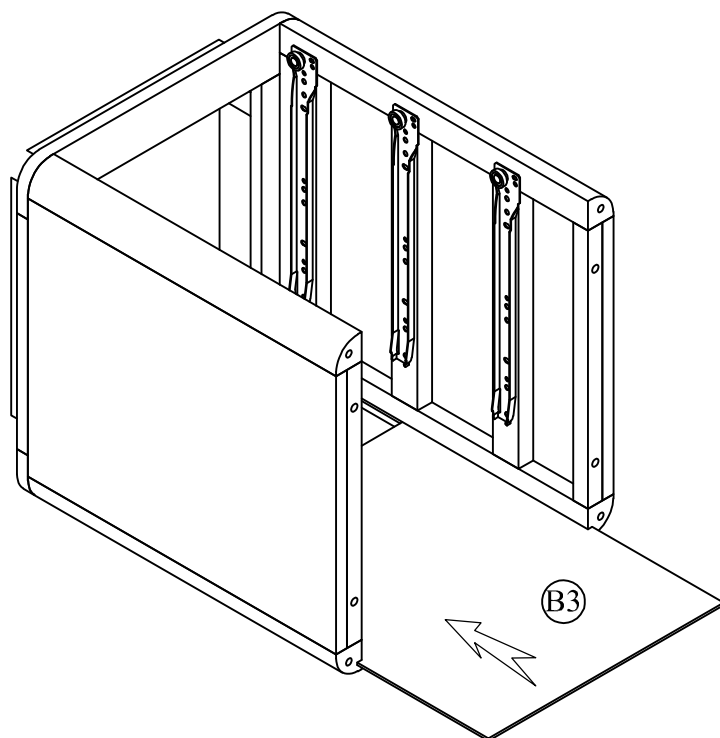
1



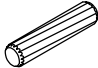
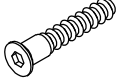
4(pcs)

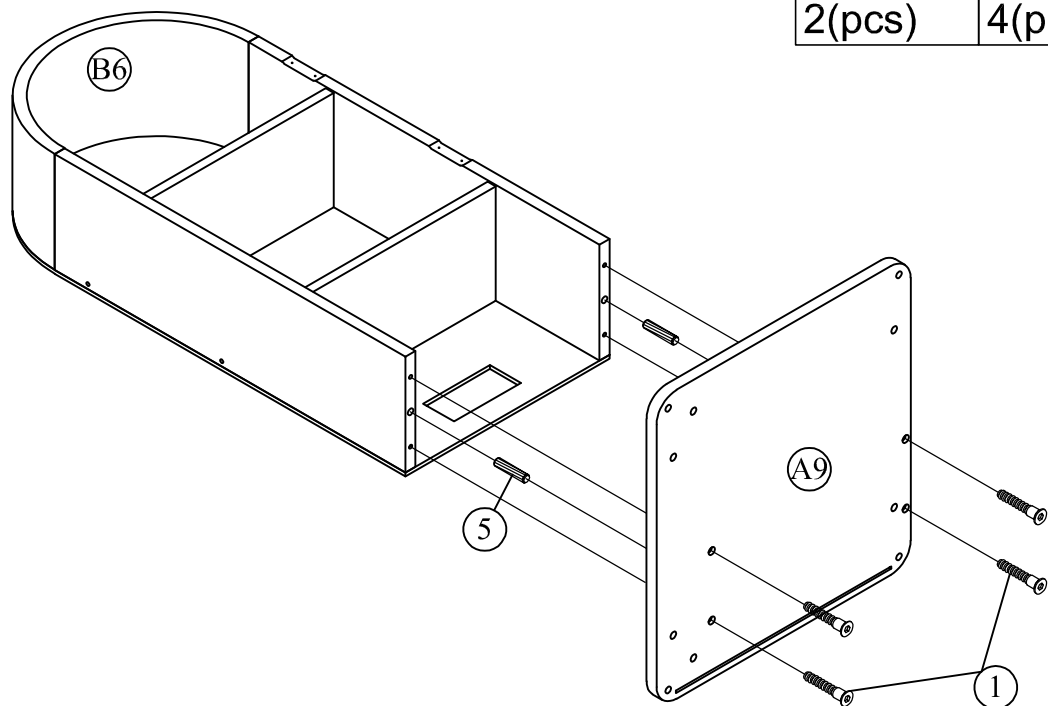


STEP 2:

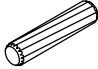
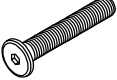


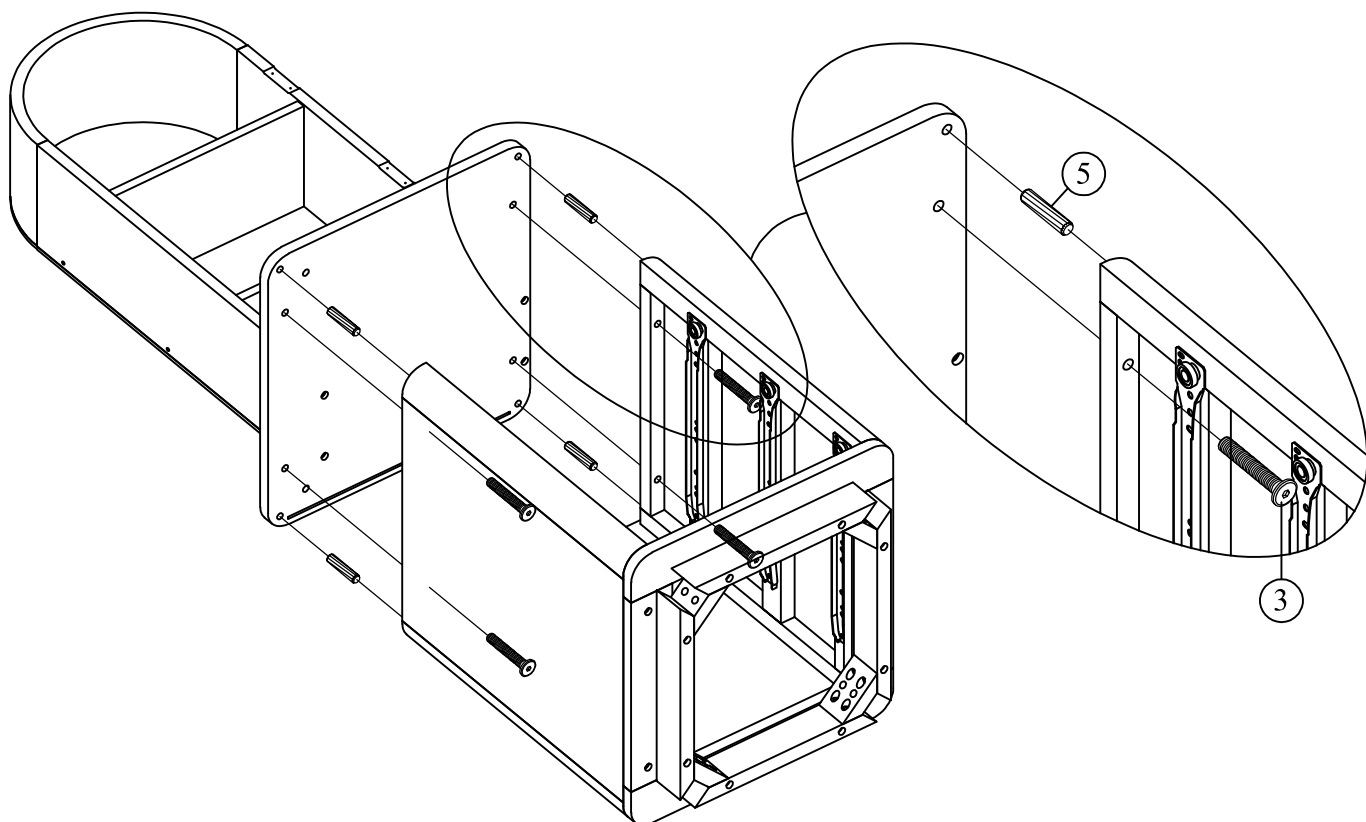
STEP 3:

5	1
	
2(pcs)	4(pcs)



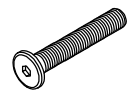
STEP 4:

5	3
	
4(pcs)	4(pcs)

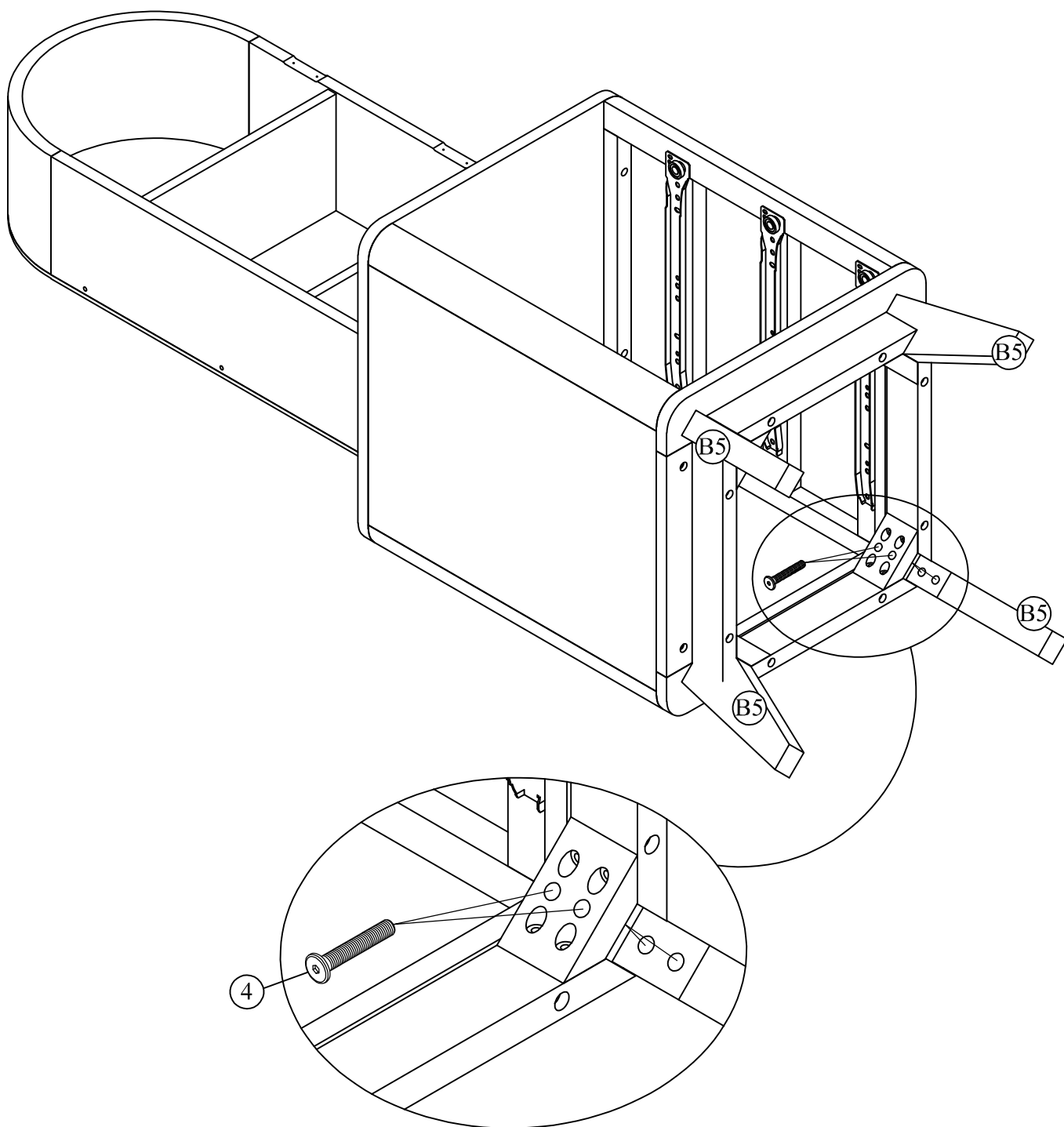


STEP 5:

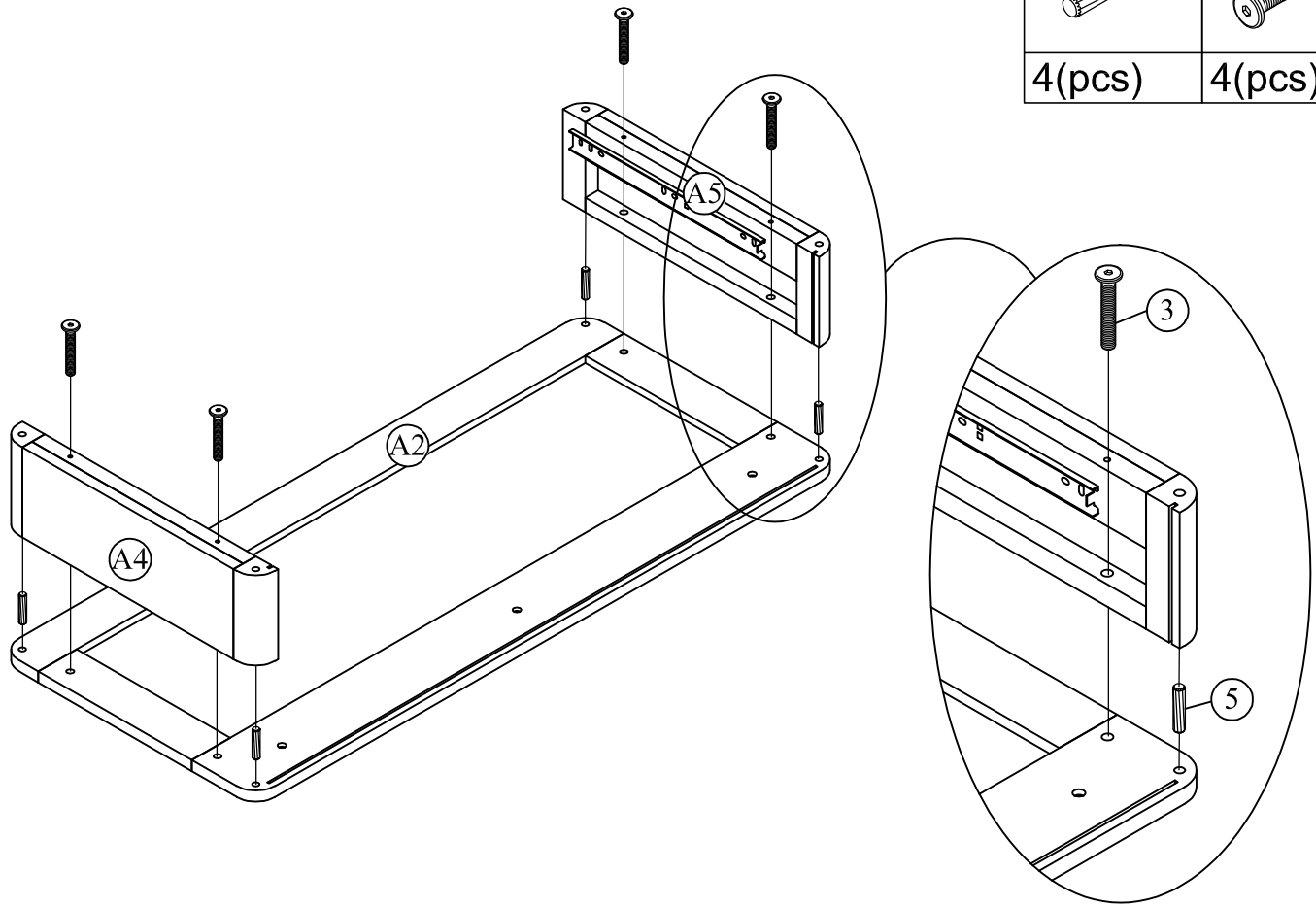
4



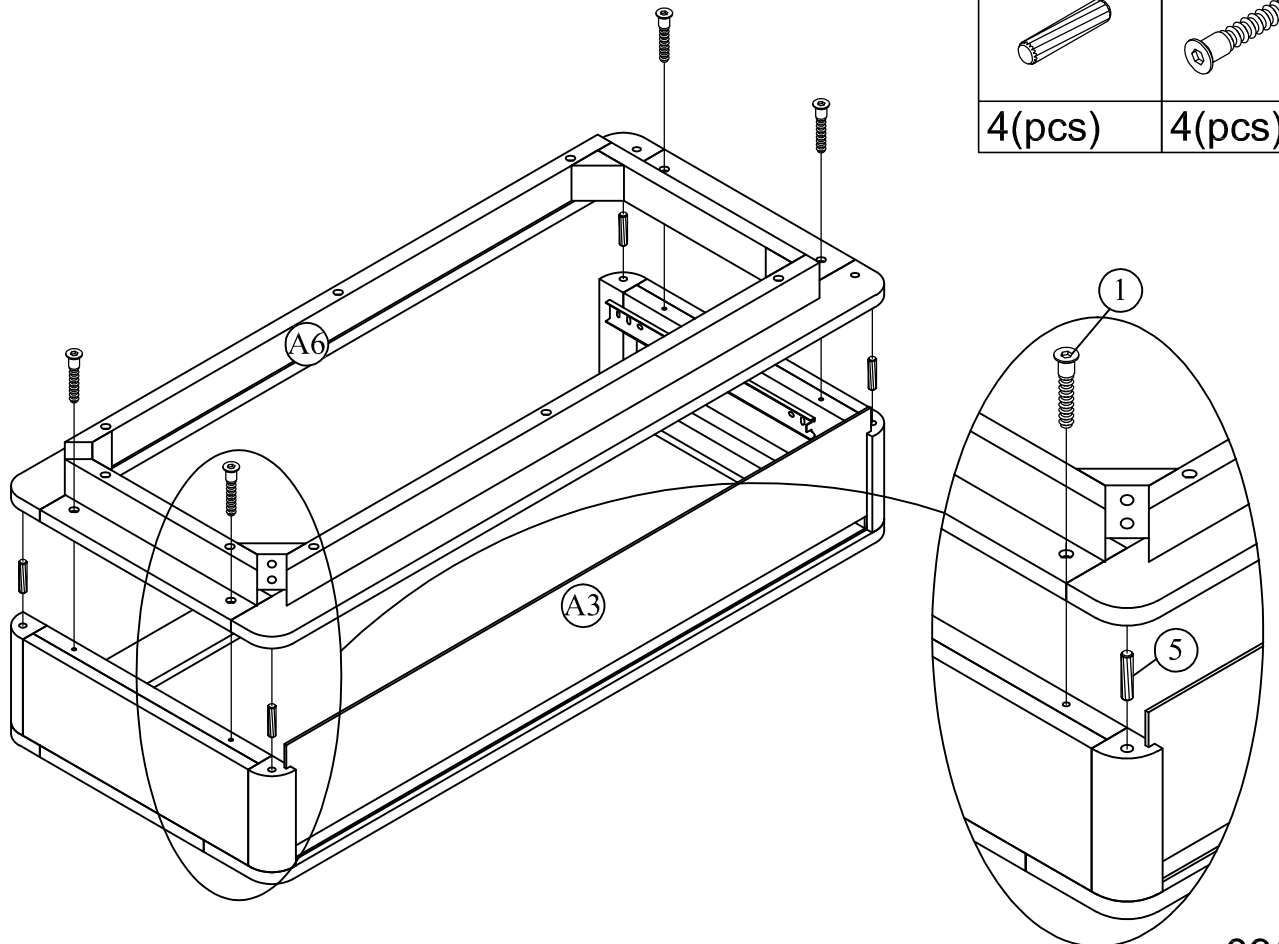
8(pcs)



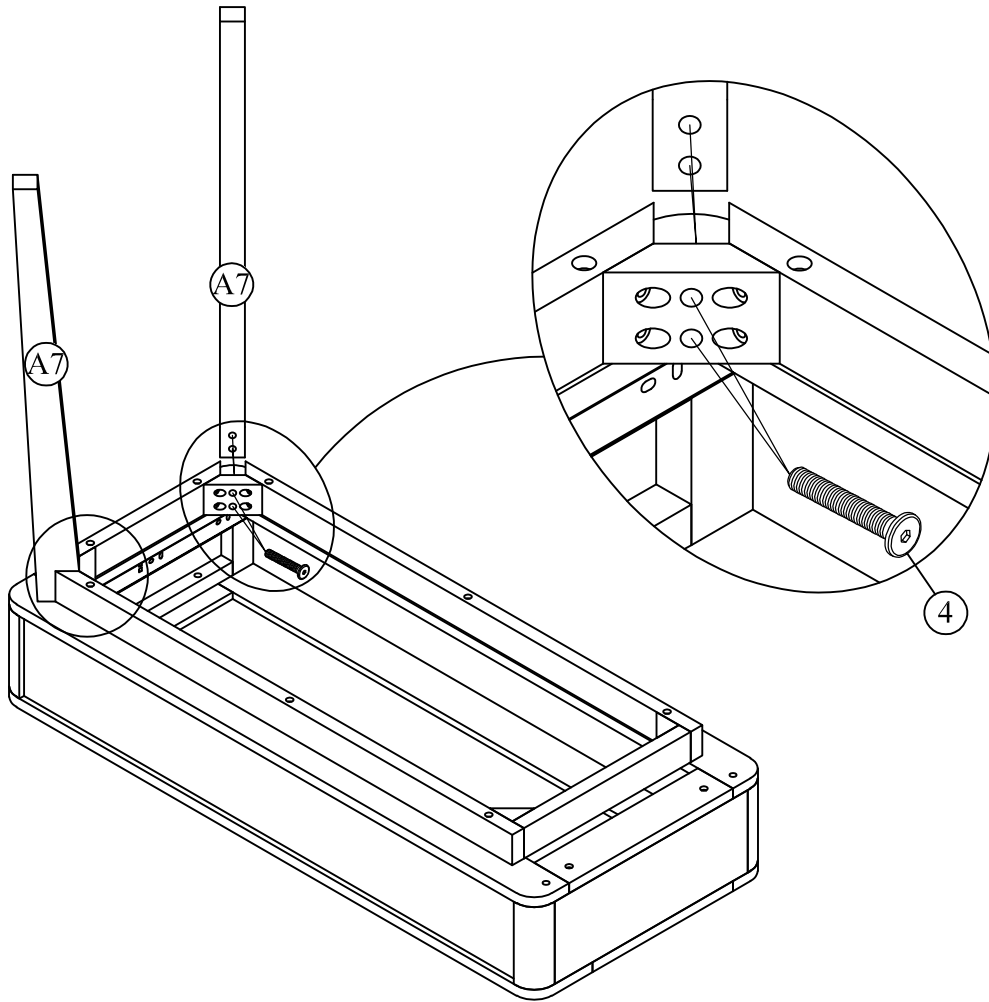
STEP 6:



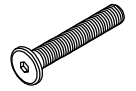
STEP 7:



STEP 8:

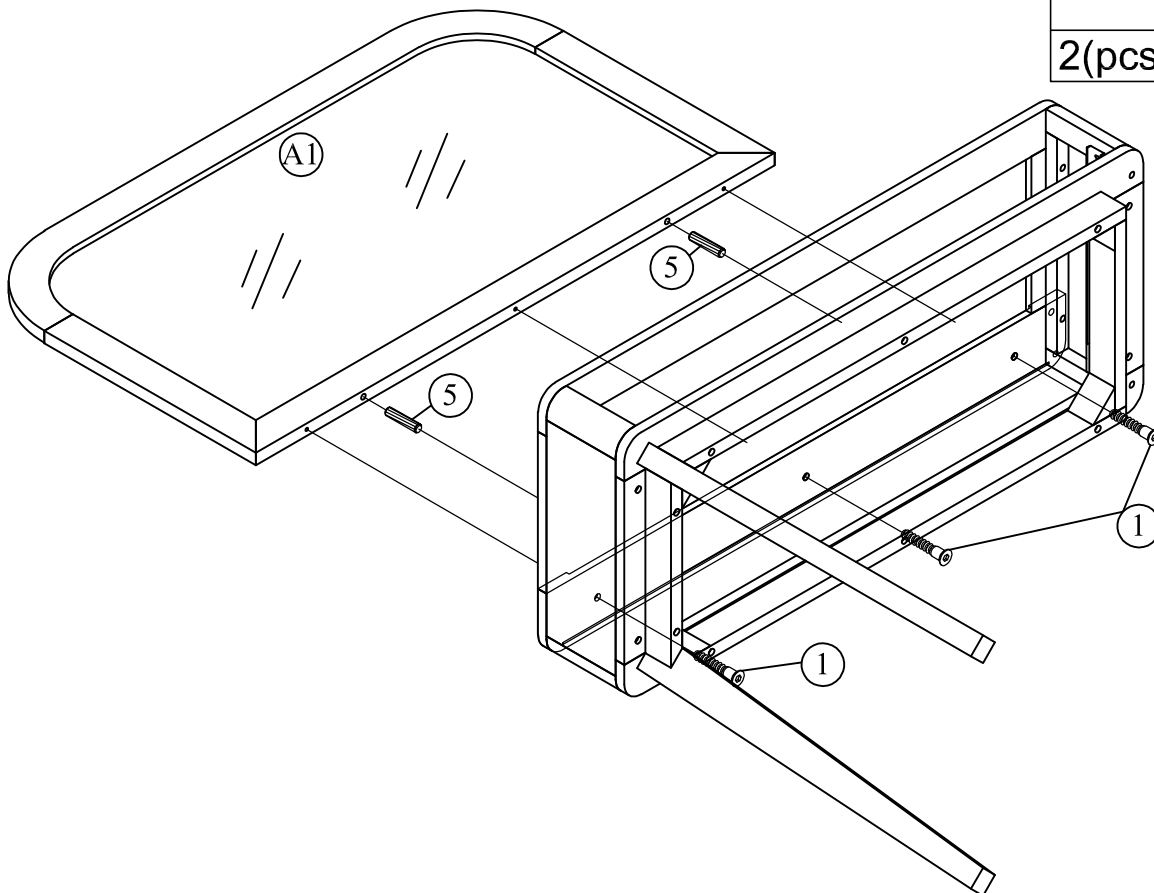


4

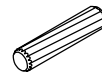


4(pcs)

STEP 9:

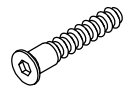


5



2(pcs)

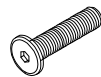
1



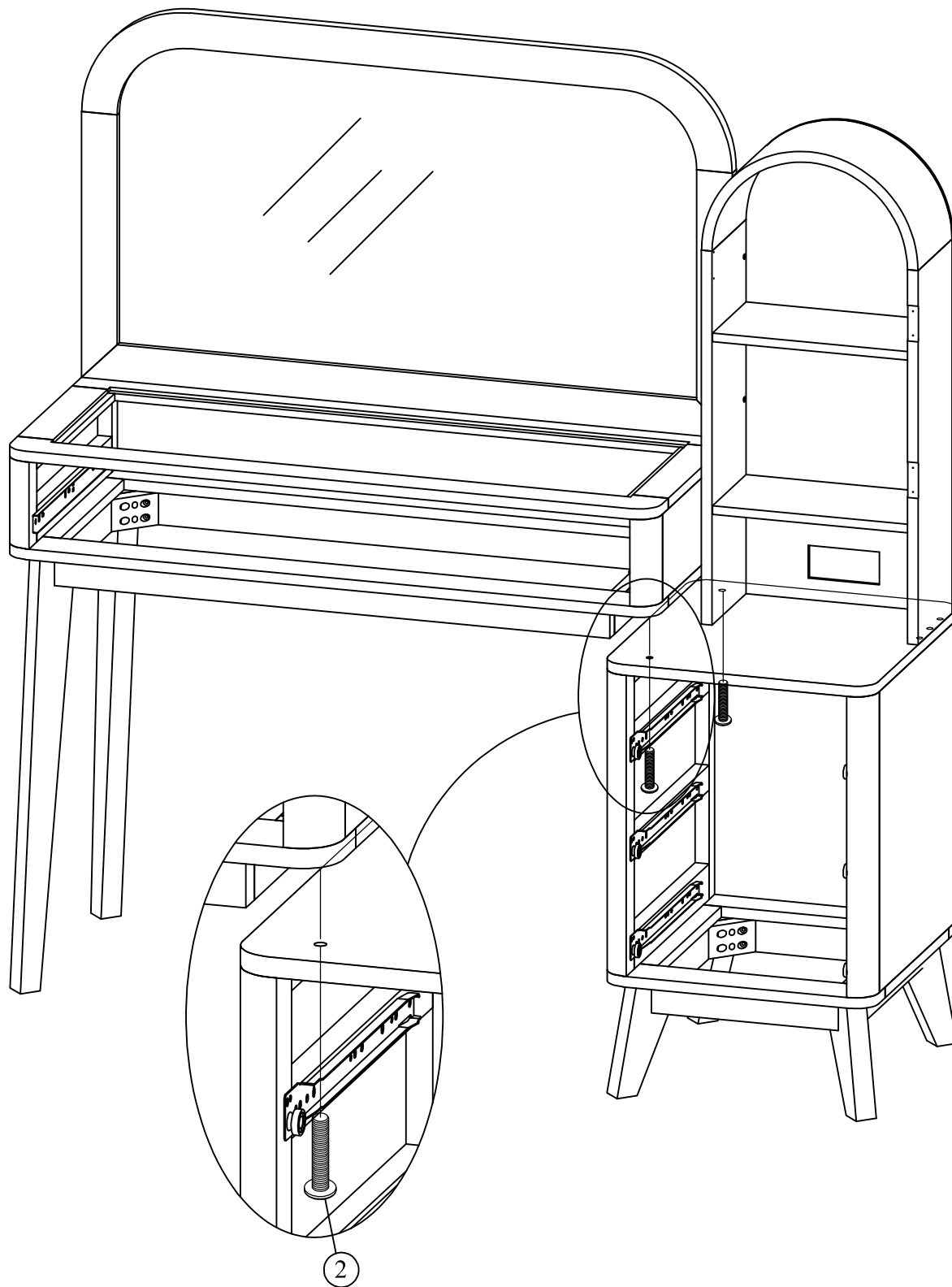
3(pcs)

STEP 10:

2

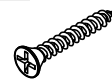


2(pcs)

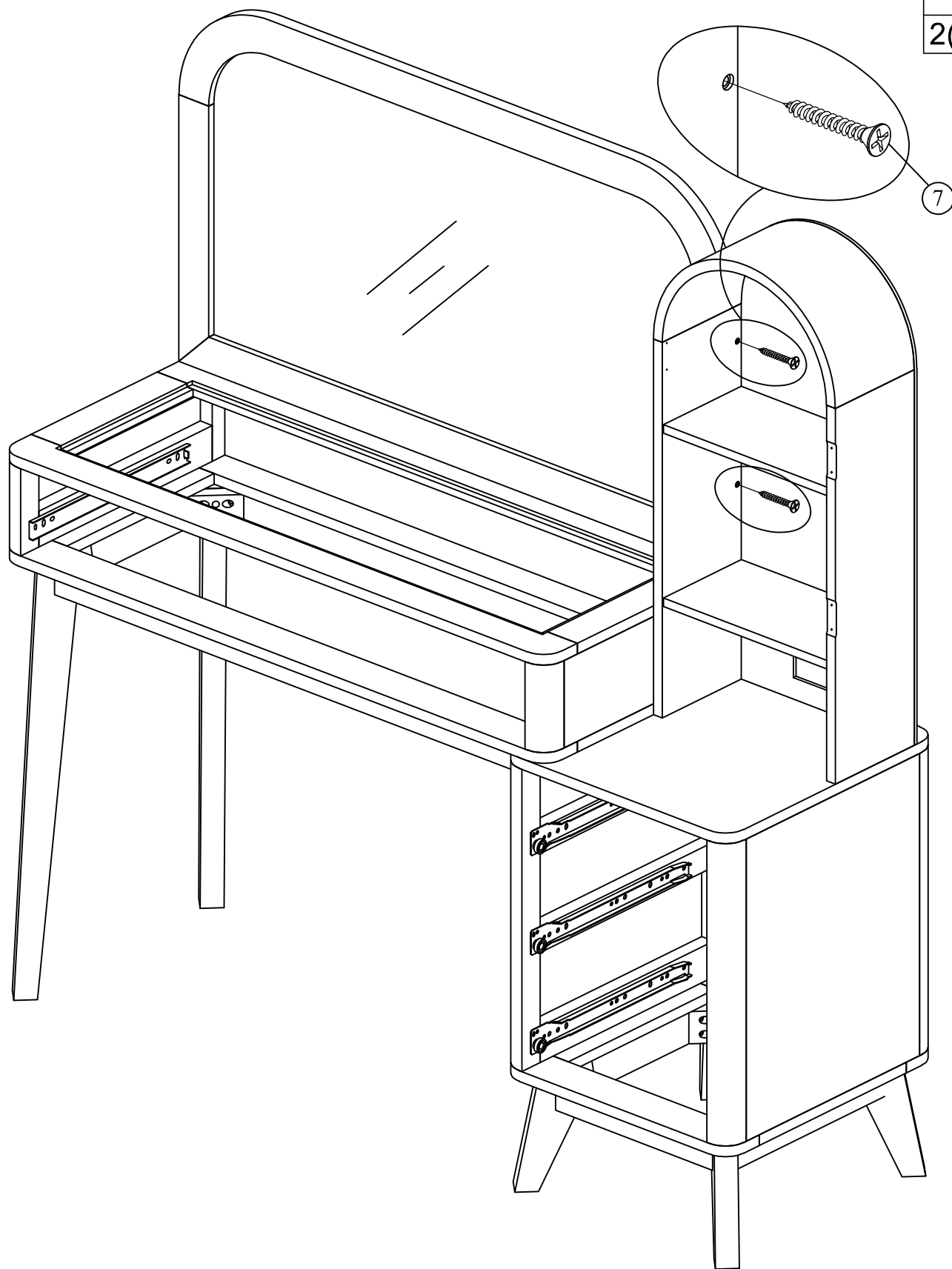


STEP 11:

7

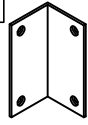


2(pcs)

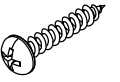


STEP 12:

11

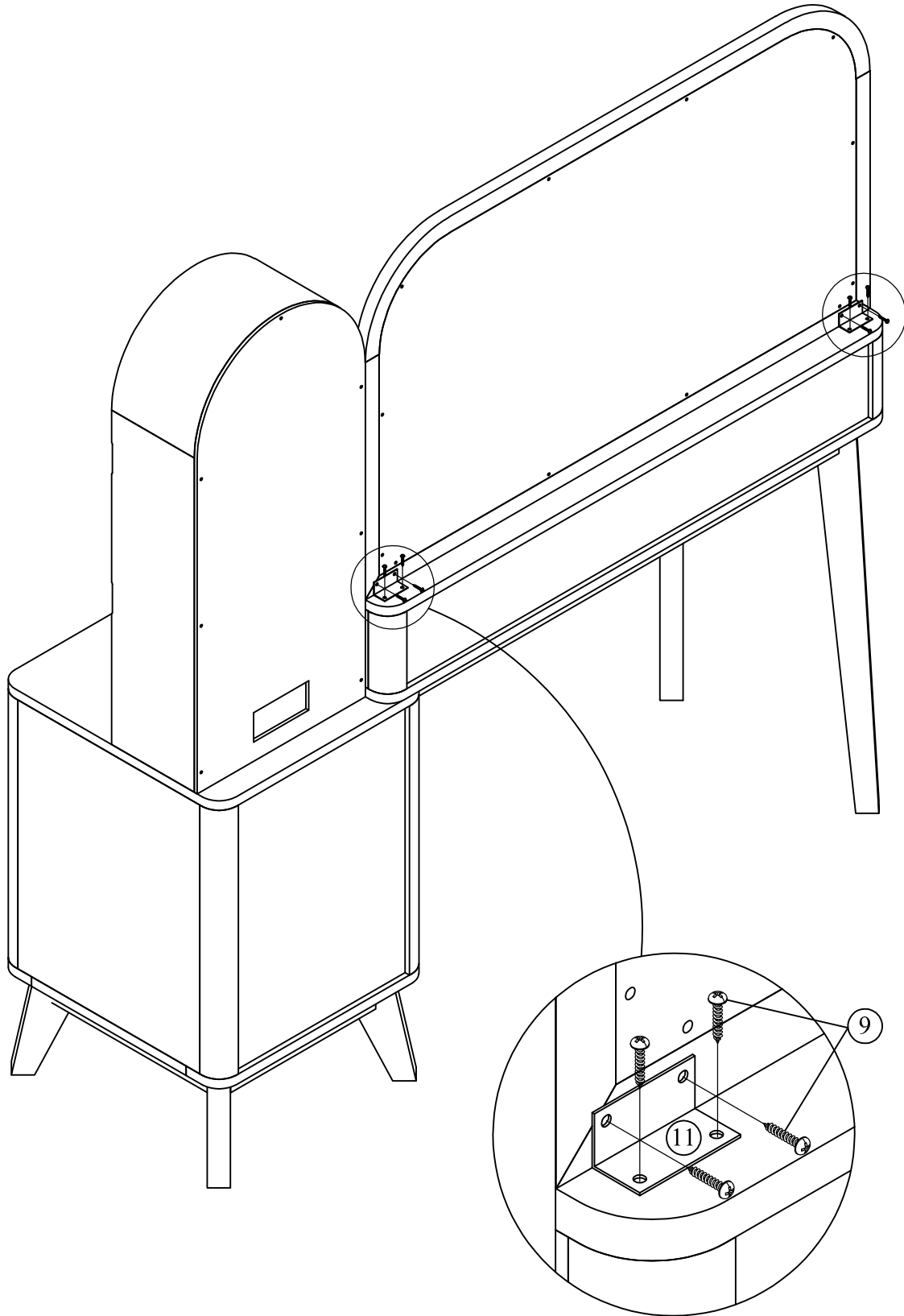


9



2(pcs)

8(pcs)



STEP 13:

D3

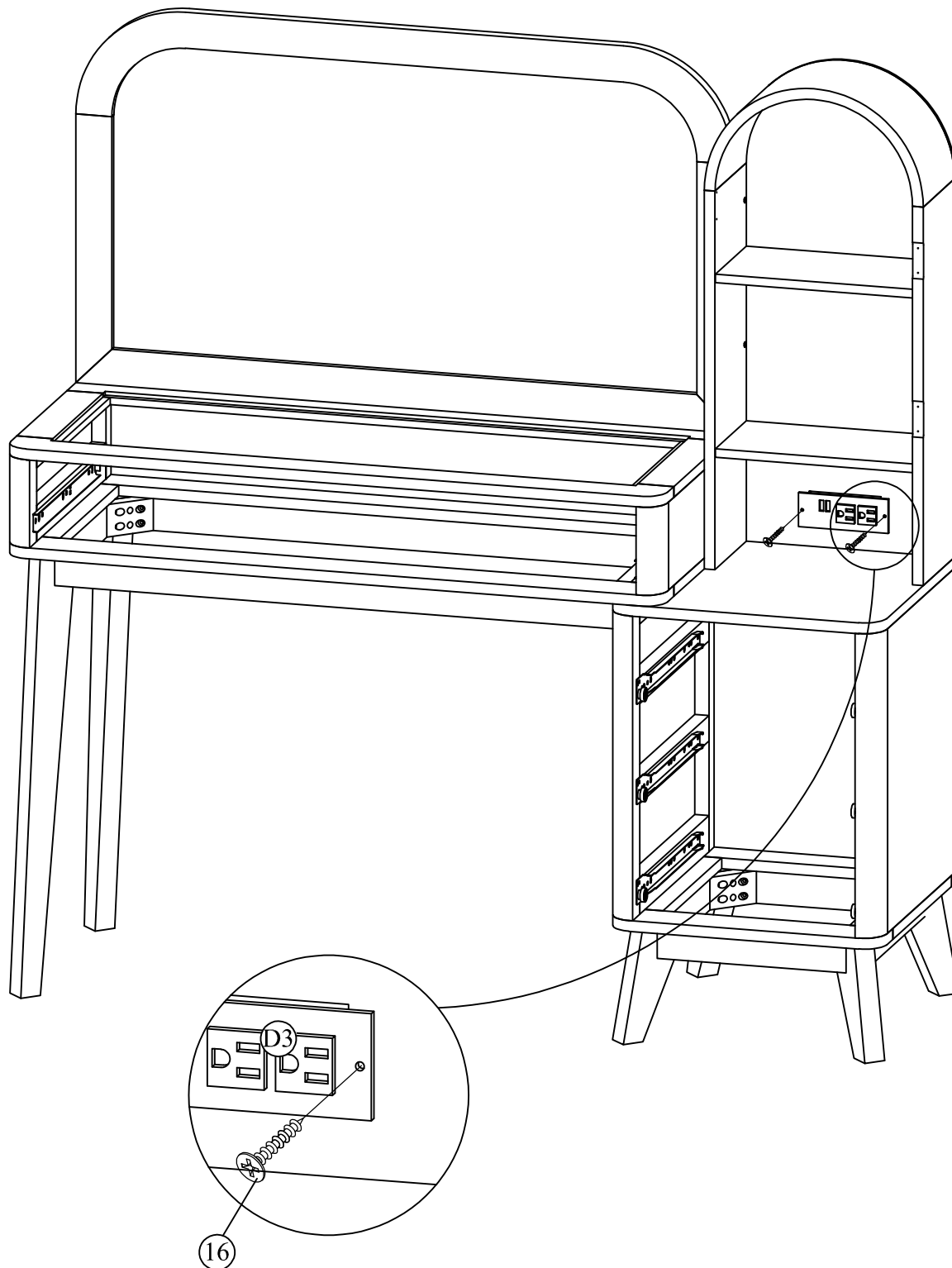


1(pc)

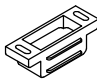
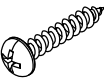
16

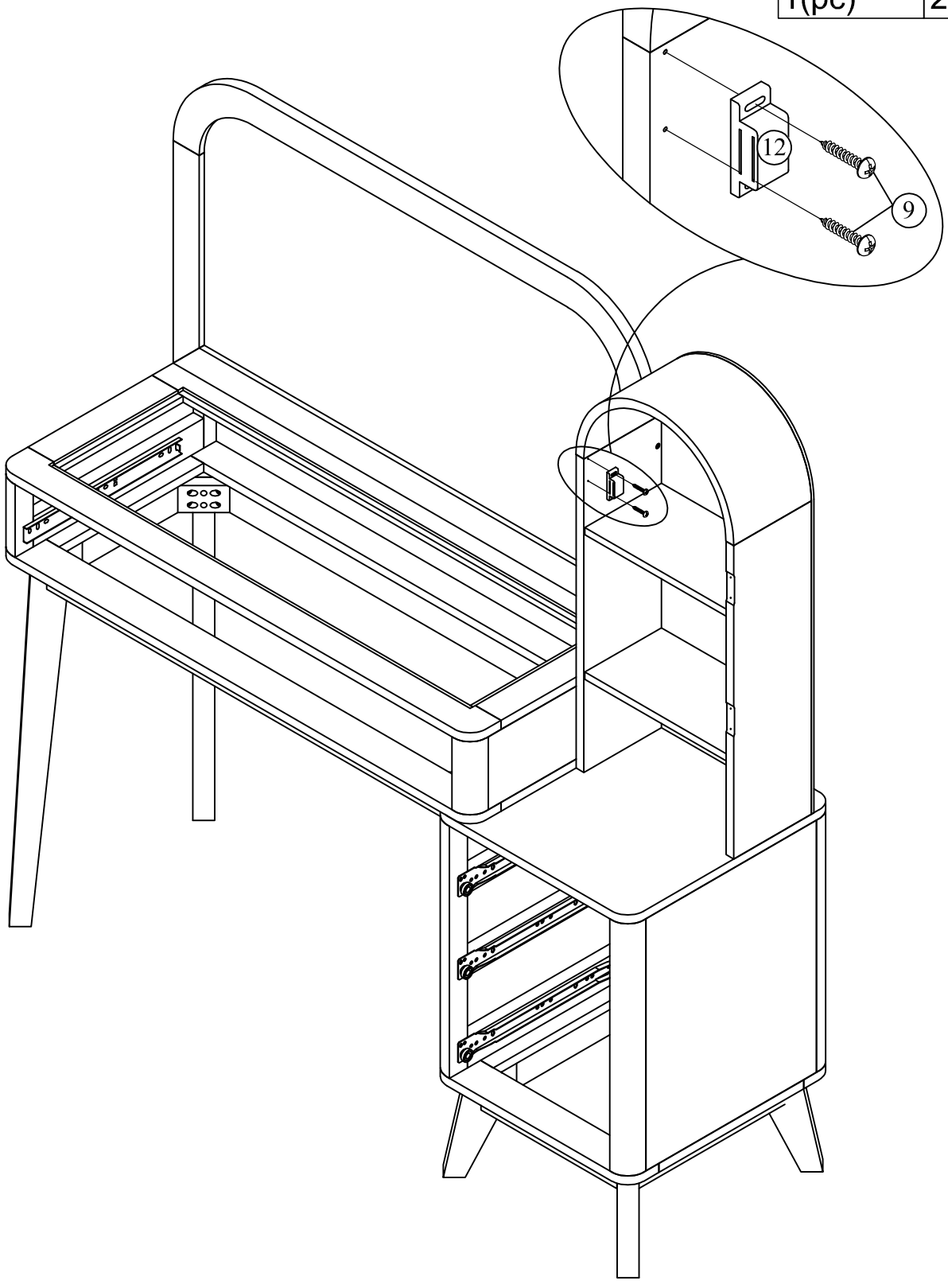


2(pcs)



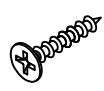


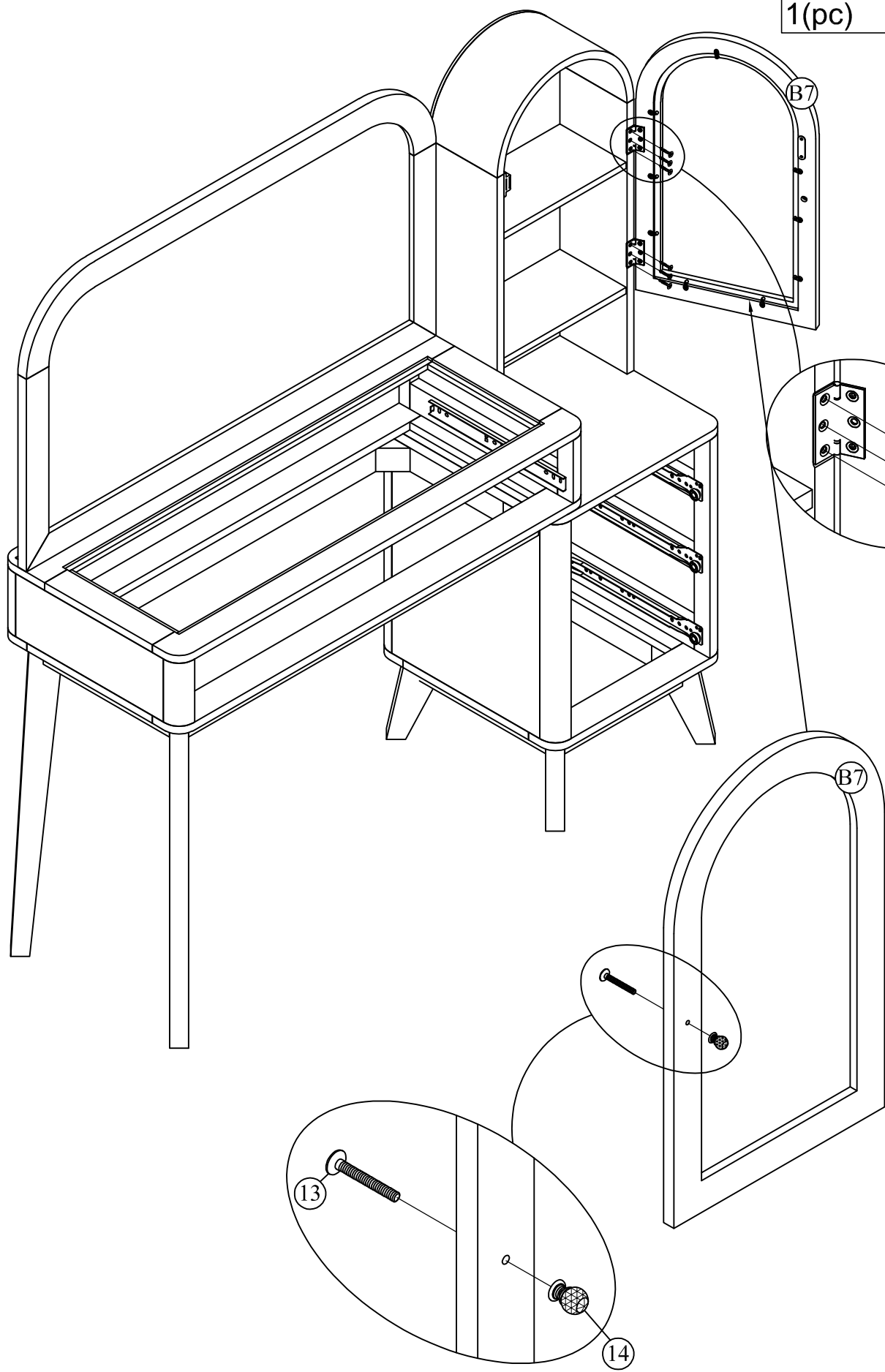
STEP 14:

12	9
	
1(pc)	2(pcs)

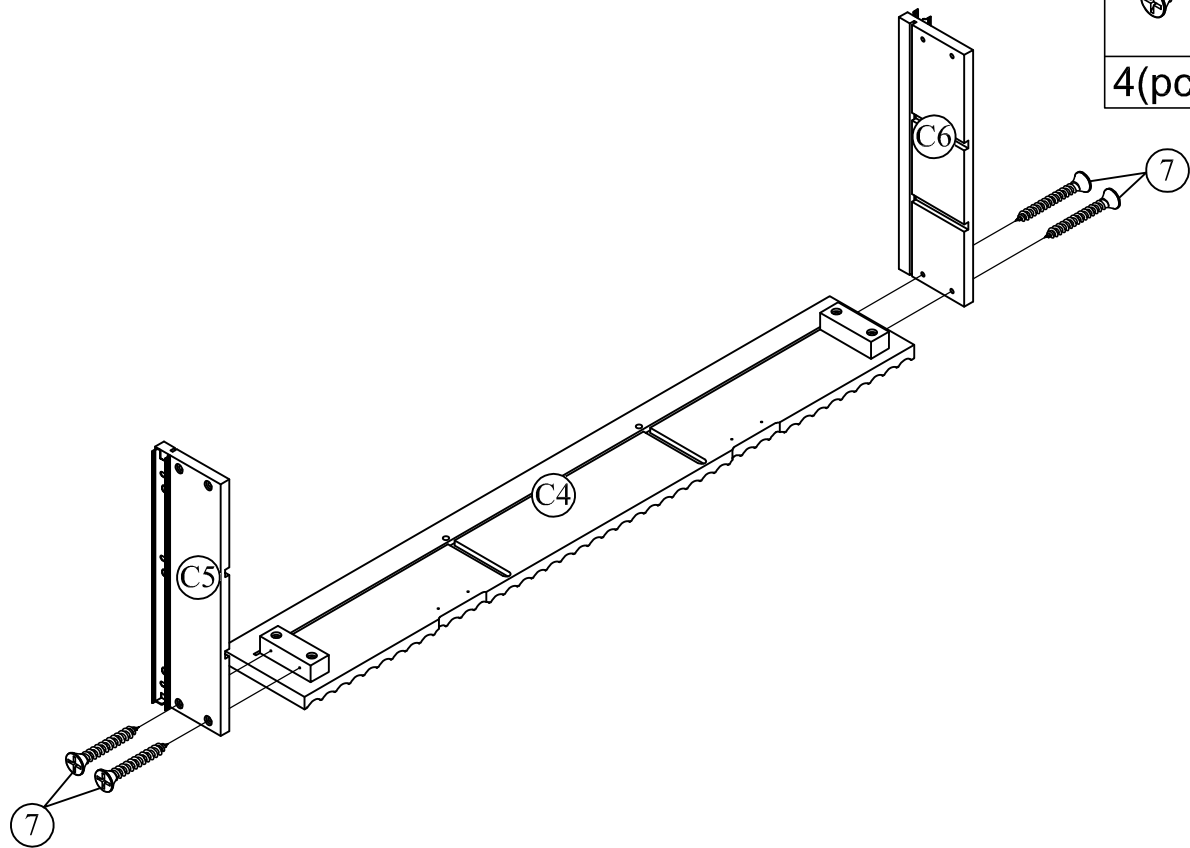


STEP 15:

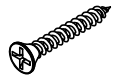
14	13
	
1(pc)	1(pc)
	8
	
	6(pcs)



STEP 16:

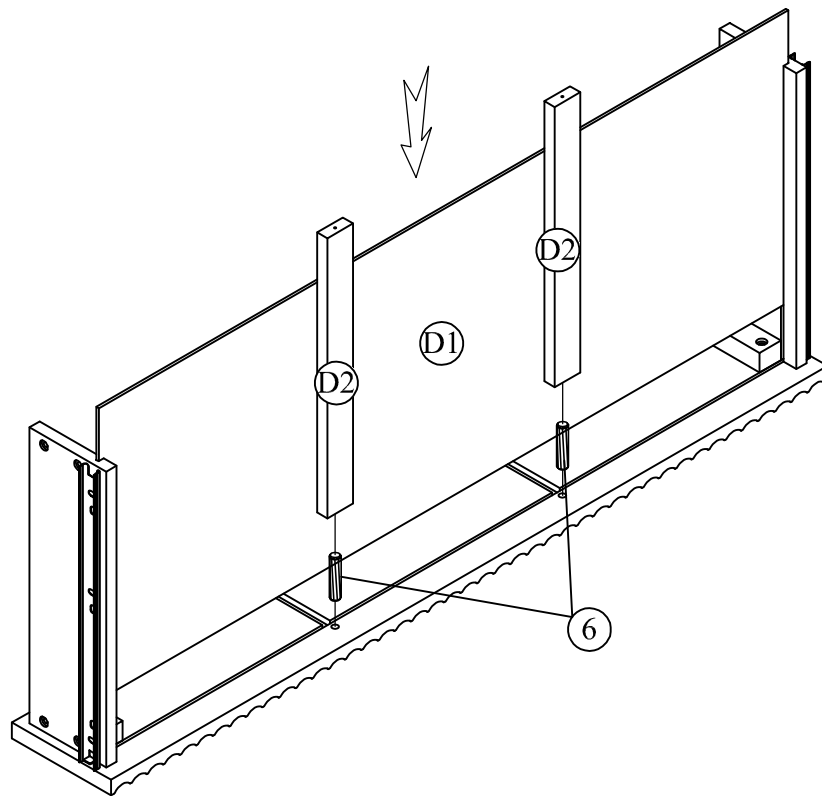


7

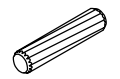


4(pcs)

STEP 17:

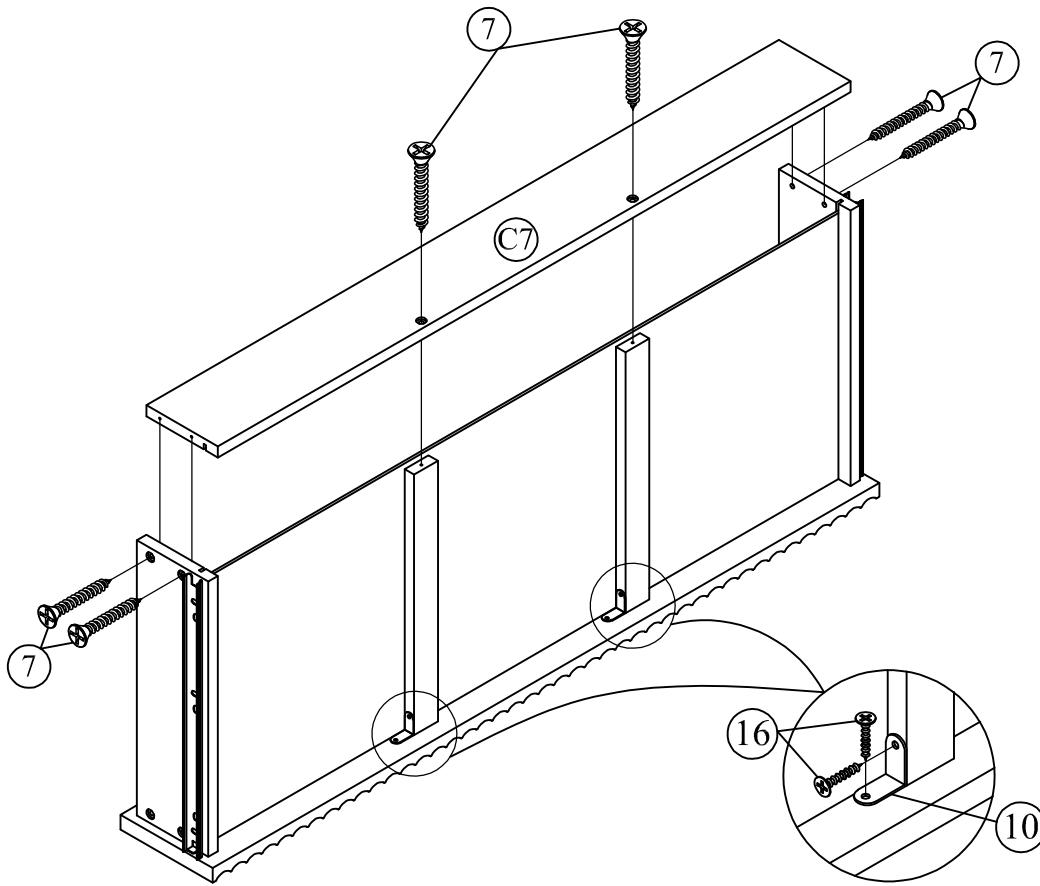


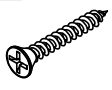
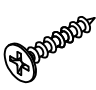

6



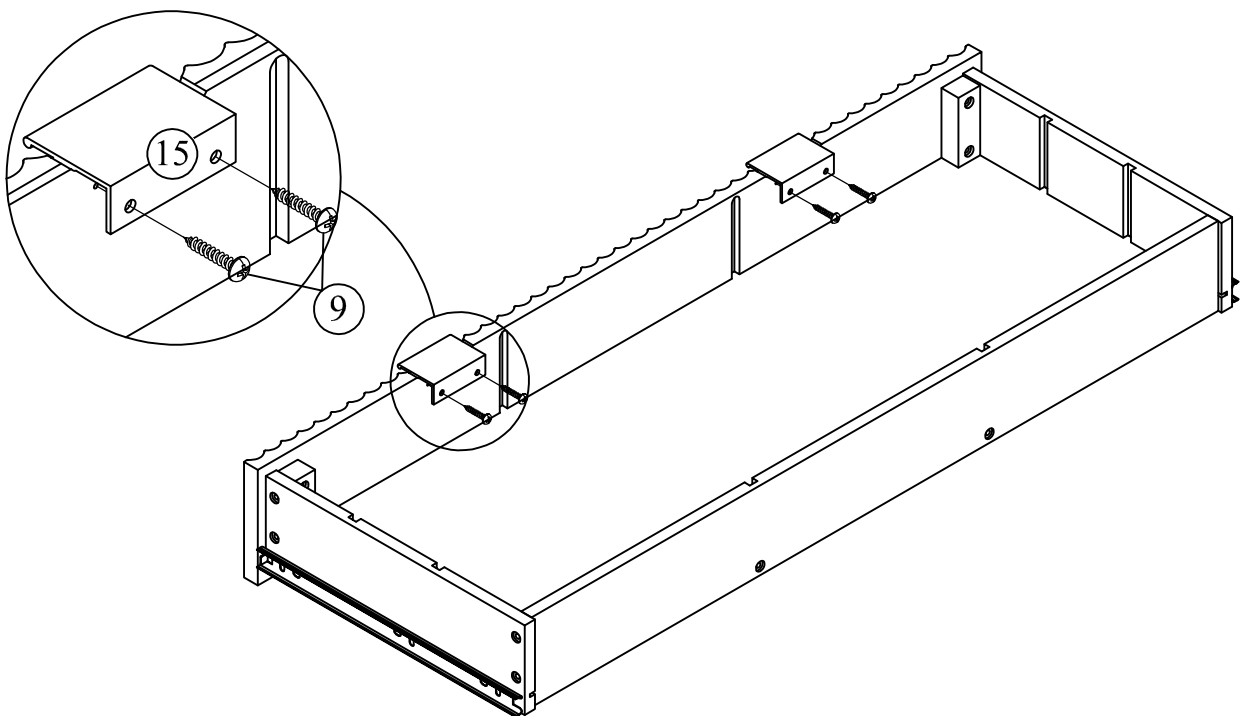
2(pcs)

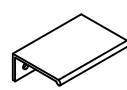
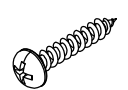
STEP 18:



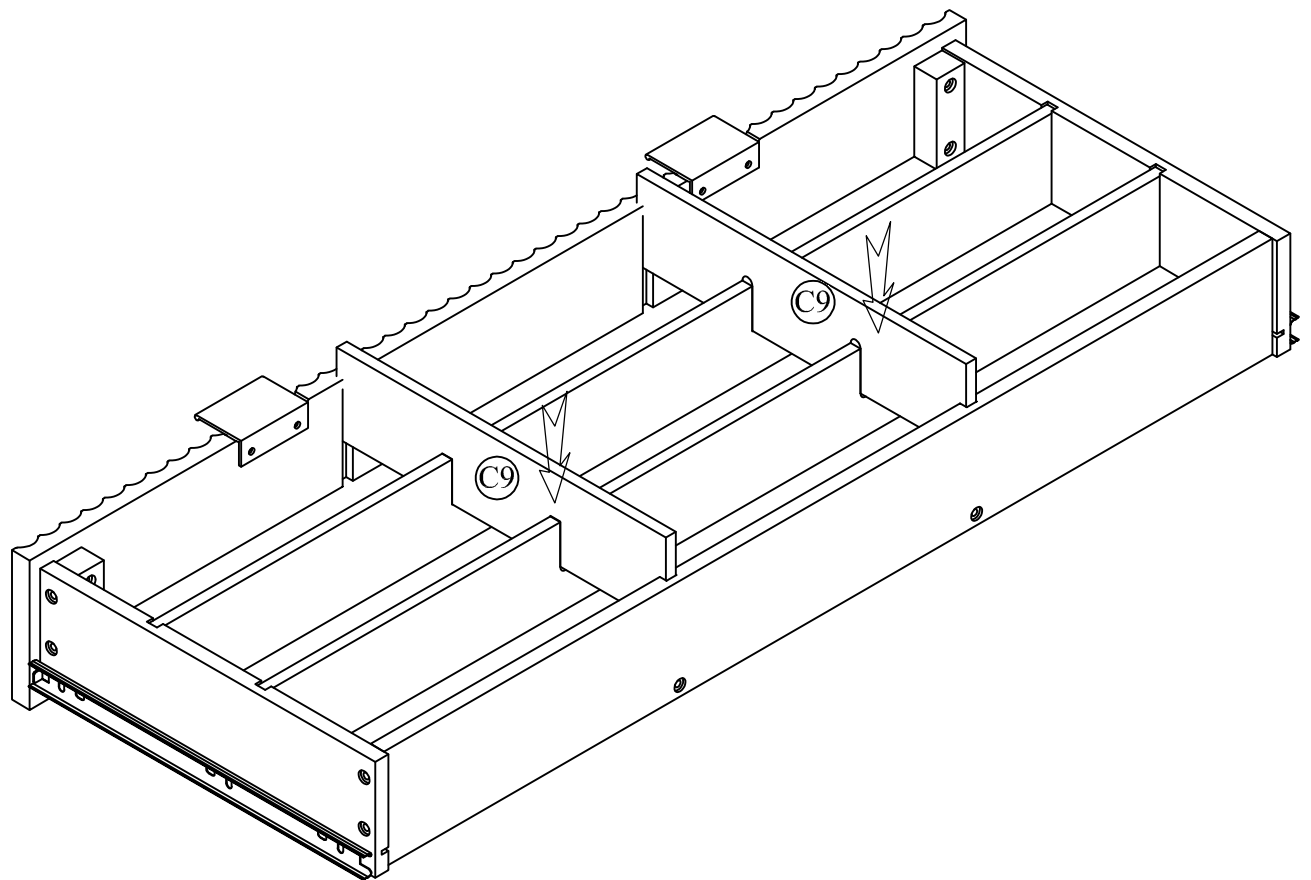
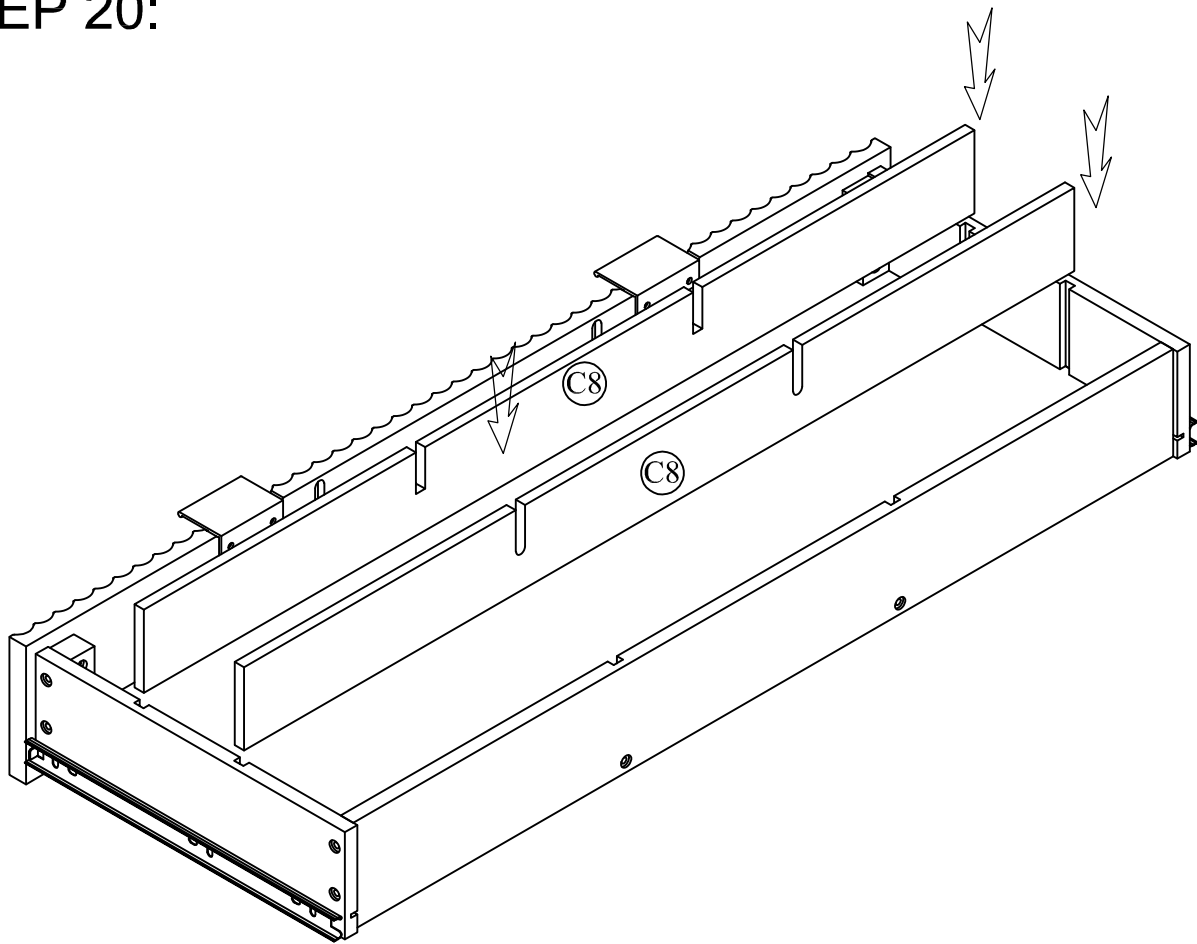
7

6(pcs)
16

4(pcs)
10

2(pcs)

STEP 19:



15	9
	
2(pcs)	4(pcs)

STEP 20:

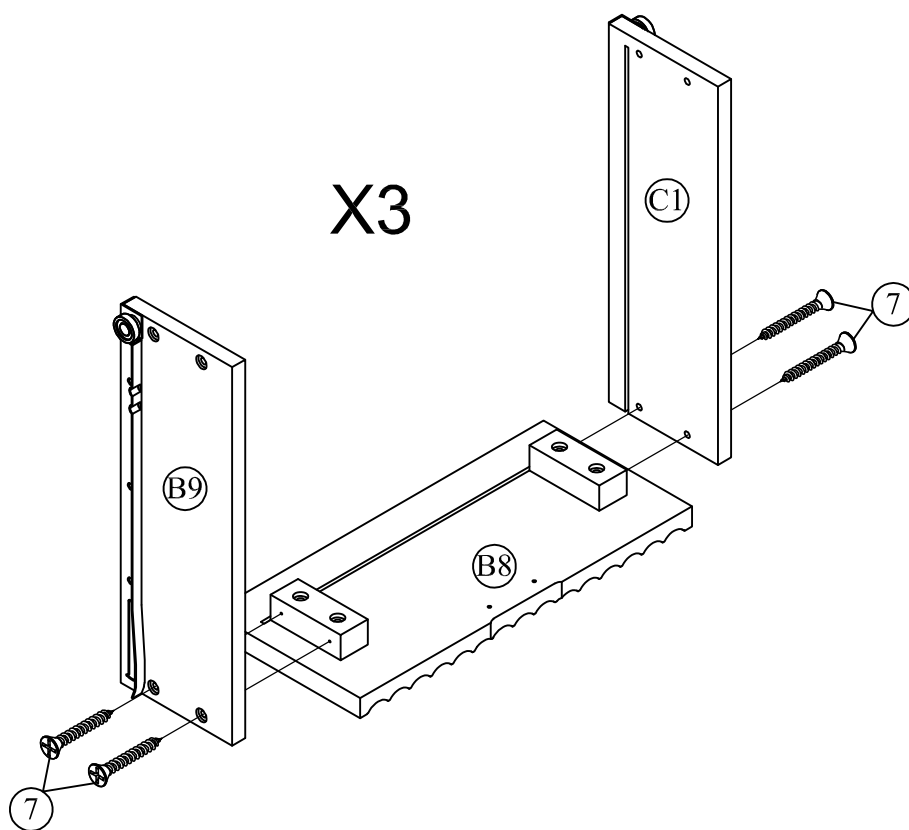


STEP 21:

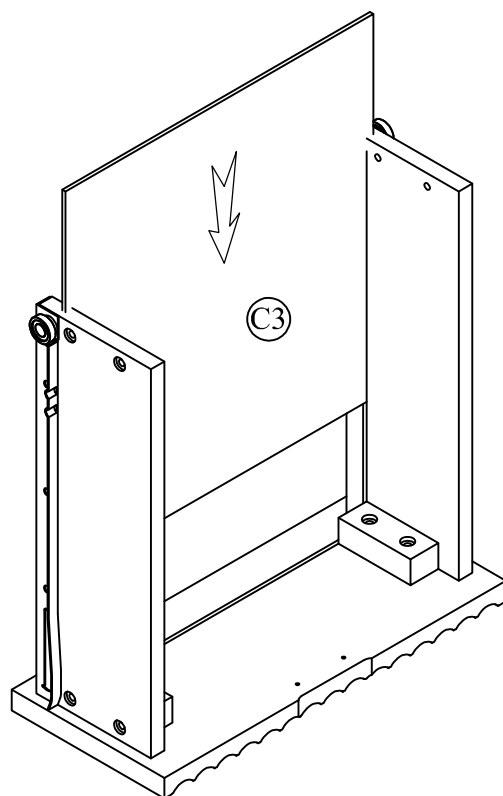
7



12(pcs)

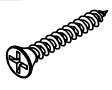


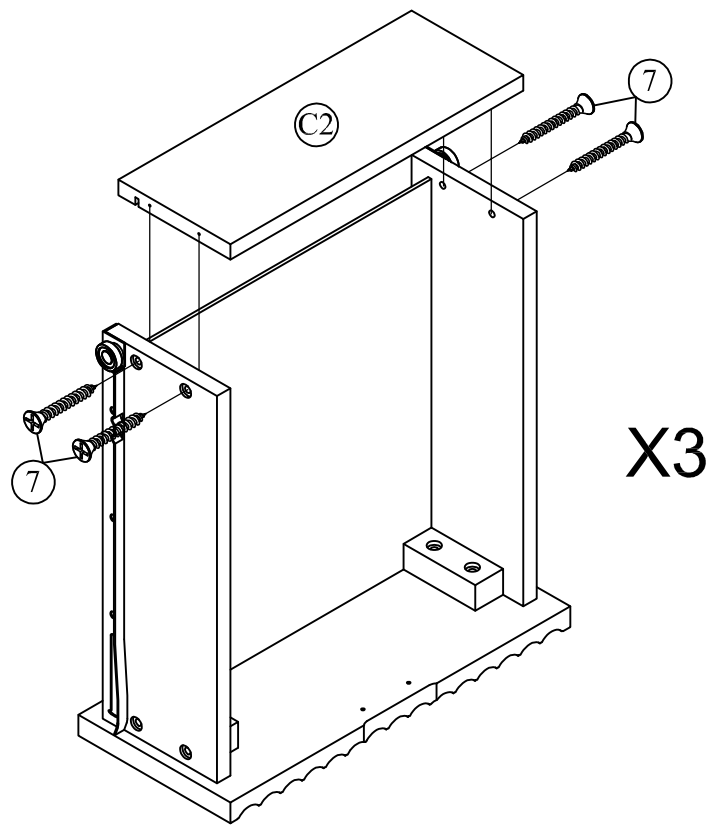
STEP 22:



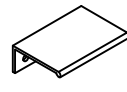
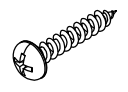
X3

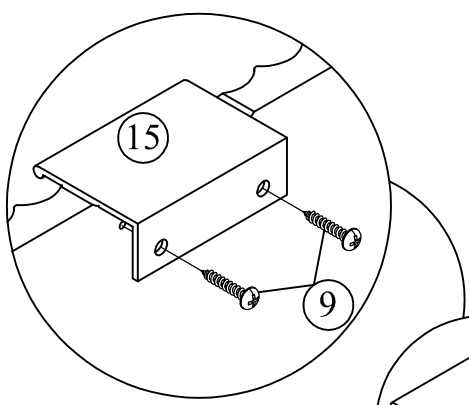
STEP 23:

7

12(pcs)

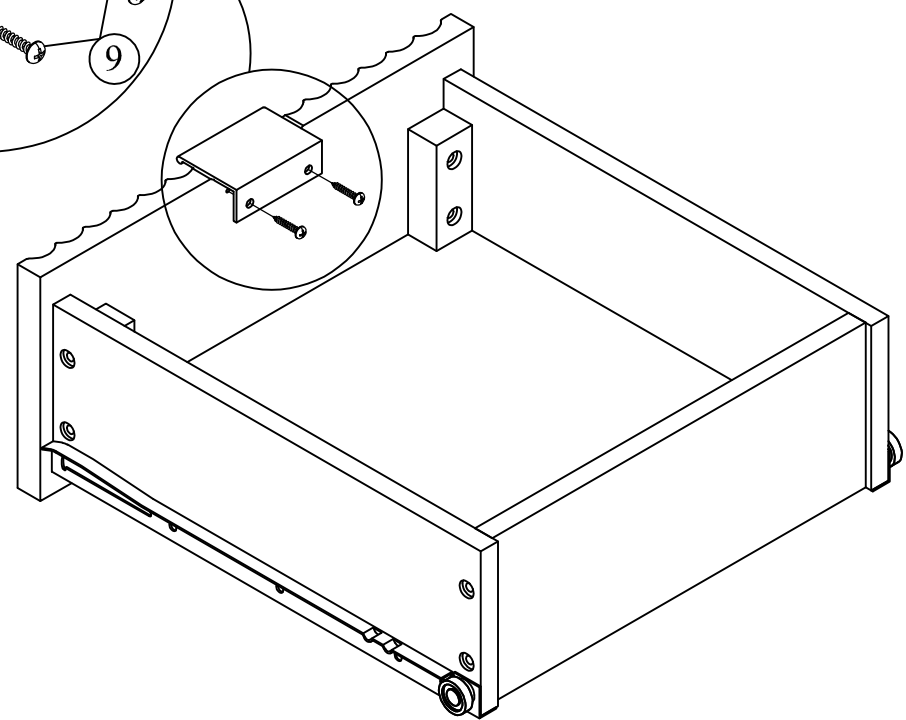


STEP 24:

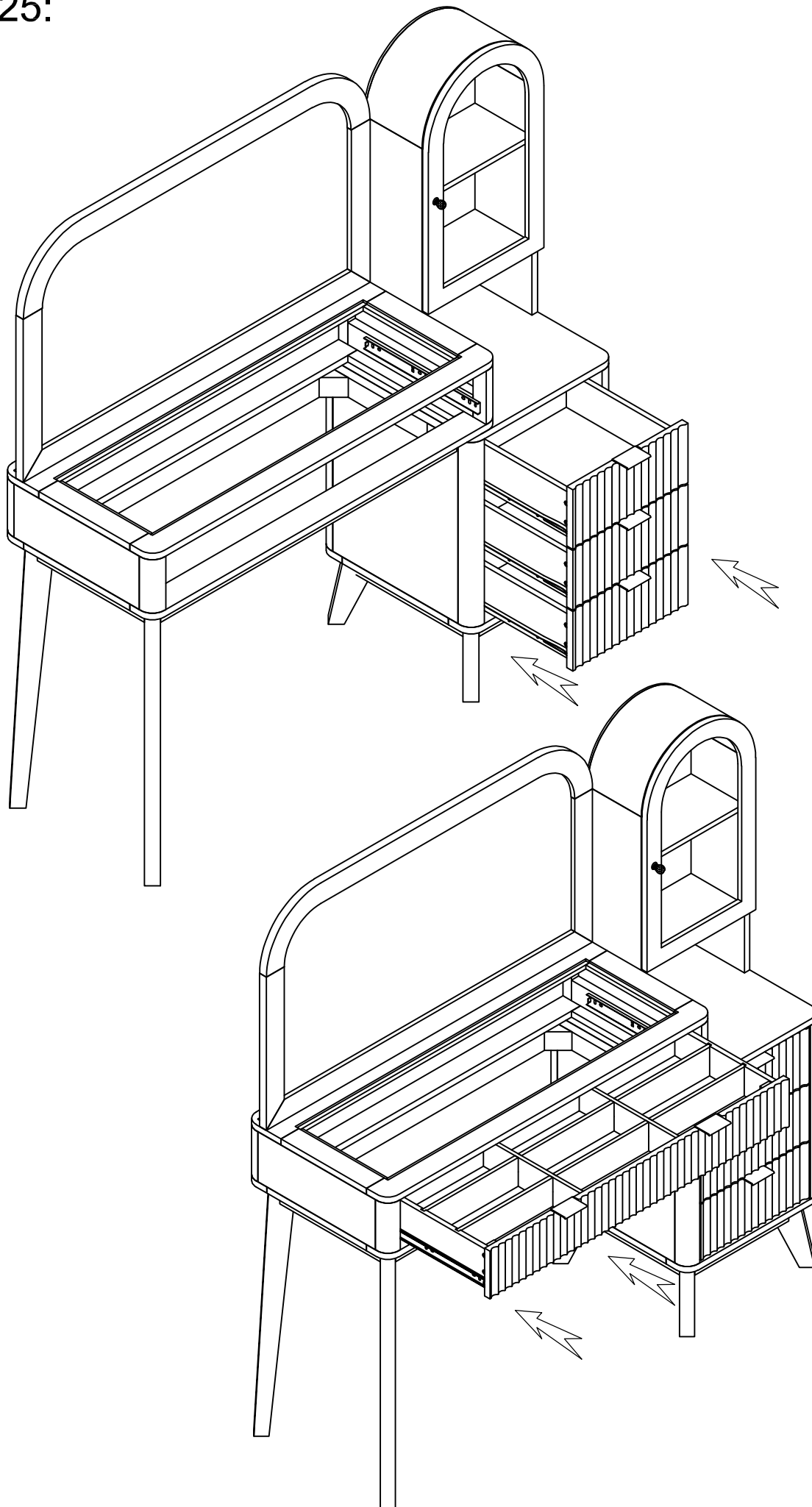
15	9
	
3(pcs)	6(pcs)



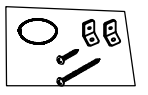
X3



STEP 25:



18



2 Sets

WALL

