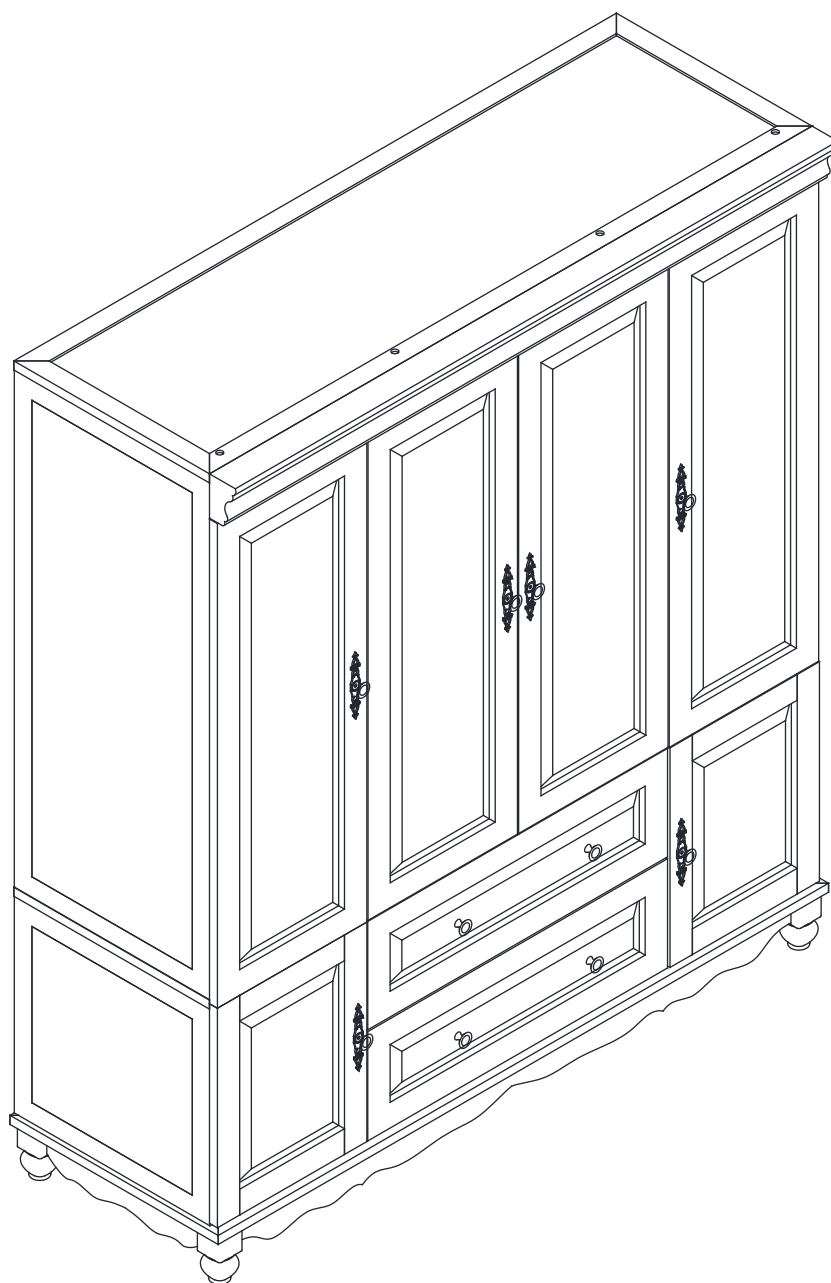


Wardrobe



RETURNS

CHANGED YOUR MIND AND NEED TO RETURN YOUR ITEM?

PLEASE FOLLOW THE BELOW INSTRUCTIONS:

- If you have purchased and have simply changed your mind, follow the retailer's instructions for returns.

DEFECTIVE ITEMS

- If your item is defective in any way, i.e. it doesn't work but you can't identify why, in the first instance, please consult our FAQ section as there may be a simple solution to the issue.

DAMAGED ITEMS

- If you receive an order with obvious shipping damage from the retailer, then we suggest the delivery is refused. If the delivery has been accepted and then shipping damage is found, please follow the specific instructions advised by the retailer.

- In all circumstances, please save all packaging material and paperwork for the order.

- Please be aware that if you dispose of packaging material or attempt to return the merchandise without contacting the retailer, you jeopardize your chances of making a claim, and you may not receive a credit for the return.

WARRANTY

WARRANTY CLAIMS

- There is a 30-day warranty for broken furniture or any other problems that do not work properly. The warranty will start from the date of purchase which must be verified by proof of purchase.
- The product must be used in accordance with the instructions provided. For health reasons.
- For other reasons, if the furniture needs to be returned, it must be cleaned and dried and operated within 30 days of receipt.

Type of Warranty Claim

- Failure to follow the furniture instructions will invalidate the warranty. Attention please.
- Does not include damage during installation, but includes damage during transportation.

Scope of responsibility

- Shall not bear any responsibility for misuse or user damage and / or loss of parts during the installation of furniture.
- After using, the damage and scratches of the furniture are not covered by the warranty.

The Warranty Relates to All Bought in The Us and Covers The Following Areas

- Sheet parts: 1 month from the date of purchase.
- Electrical parts: 1 month from the date of purchase.

IMPORTANT INFORMATION!

•please read the entire manual before starting to assemble and/or using this product. follow the manual thoroughly and keep it for further reference.

AVOID SCRATCHES!

•In order to avoid scratching this furniture should be assembled on a soft layer-could be a rug.

IMPROVE EFFICIENCY !

•Try to find a partner to install with you, which can speed up the installation efficiency and shorten the time.

IMPORTANT !

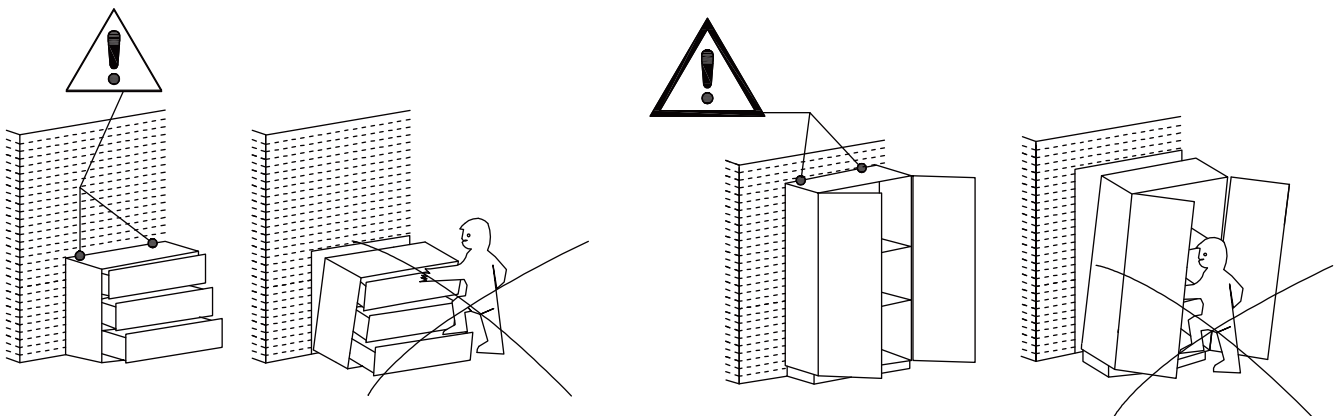
•It is important that any product which is assembled using any kind of screw is re-tightened 2 weeks after assembly, and once every 3 months - in order to assure stability through-out the lifespan of the product.

•For regular maintenance and cleaning of the product, for the frame, please use a rag dipped in neutral detergent to fully wipe it, and then dry it with a clean rag. For glass materials, wipe with a rag dampened with water glass cleaner, and then dry with a dry rag.

•Do not use an electric screwdriver, and do not use too much force when installing, because the board is easy to break.

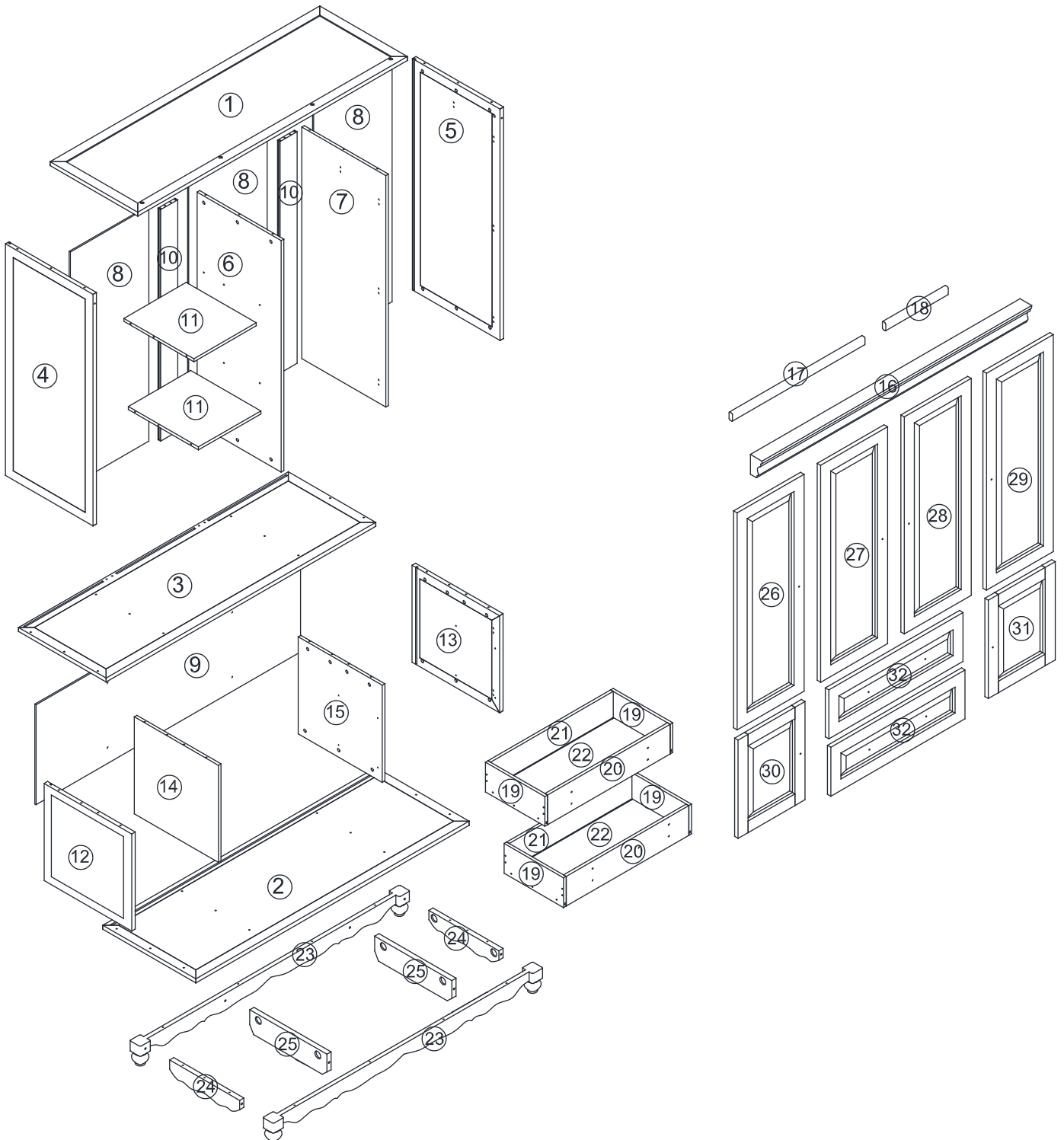
ANTI-TOPPLE WARNING !

Overturnd furniture can cause serious or fatal crush injuries. To prevent tipping over, be sure to use the wall attachment, if not included with this product. Please purchase the wall attachment that fit your wall. If unsure, seek professional advice. Please read and follow each step of the instructions carefully.

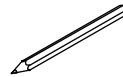
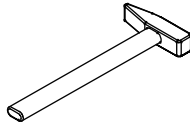
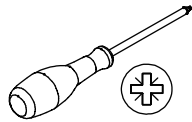
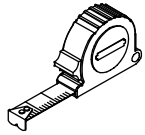


Installation Guide







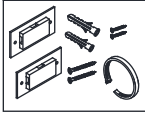




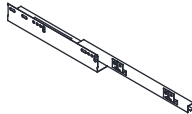


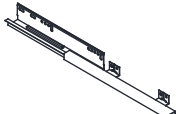

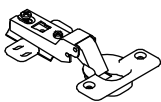
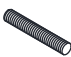



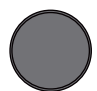


Exploded Views



Please prepare the following tools



When installing, please carefully confirm whether each screw corresponds to the manual, accessories with similar shapes can be distinguished by size

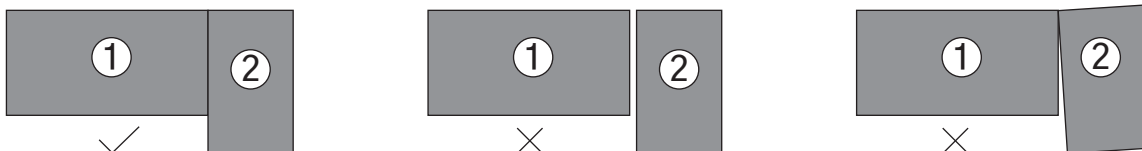
<p>A x 78</p>  <p>Ø6 x 39mm</p>	<p>B x 78</p>  <p>Ø15 x 10mm</p>	<p>C x 8</p>  <p>Ø6 x 20mm</p>	<p>D x 1</p>  <p>M4</p>	<p>E x 20</p>  <p>Ø4 x 30mm</p>
<p>F x 8</p>  <p>Ø3.5 x 16mm</p>	<p>G x 2</p> 	<p>H x 124</p>  <p>Ø3.5 x 14mm</p>	<p>I x 4</p>  <p>Ø3.5 x 18mm</p>	<p>J x 10</p>  <p>Ø30 x 25mm</p>
<p>K x 6</p>  <p>152 x 23mm</p>	<p>L x 2</p>  <p>350mm</p>	<p>P x 4</p>  <p>Ø55 x 20mm</p>	<p>Q x 6</p>  <p>Ø3.5 x 22mm</p>	<p>R x 2</p>  <p>350mm</p>
<p>S x 10</p>  <p>40mm</p>	<p>T x 6</p>  <p>40mm</p>	<p>U x 8</p>  <p>Ø8x70mm</p>	<p>V x 8</p>  <p>30x16x8mm</p>	<p>W x 8</p>  <p>8mm</p>
<p>X x 1</p>  <p>12mm</p>	<p>Y x 8</p>  <p>38mm</p>	<p>Z x 10</p>  <p>Ø4 x 35mm</p>	<p>AA x 4</p>  <p>Ø10 x 40mm</p>	

Troubleshoot

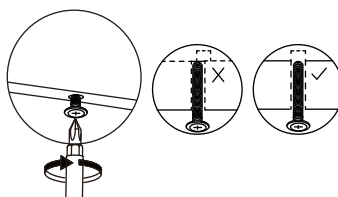
Product Category	Fault	Cause Analysis	Handing Method
Wood furniture	Door opening is not flexible	The furniture is not leveled	Use items to level the furniture
		The door hinges should be adjusted properly.	Adjust door hinges and apply lubricating oil.
	Inflexible opening of drawer	Overload or deformation	Reduce weight, adjust guide rails, lubricate
	Loose component connection	Loose hinges or screws	The poke part should be coated with an appropriate amount of 502 glue, then re-install or tighten the screws.
	Minor scratches	friction with hard o sharp objects	Use a brush to apply similar pigment ink along wood grain to the scratches, then wipe off the excess.
	Corrosive stains	Accidentally stained with chemical solvents such as nail polish, nail polish remover, ect.	Wipe them with a dry cotton cloth immediately

Possible Issues During Assembly:

- The two boards can't be aligned at the same level.

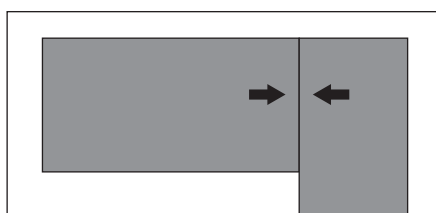


- Holes on the boards and poles are not aligned, so screws can't be installed.

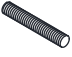





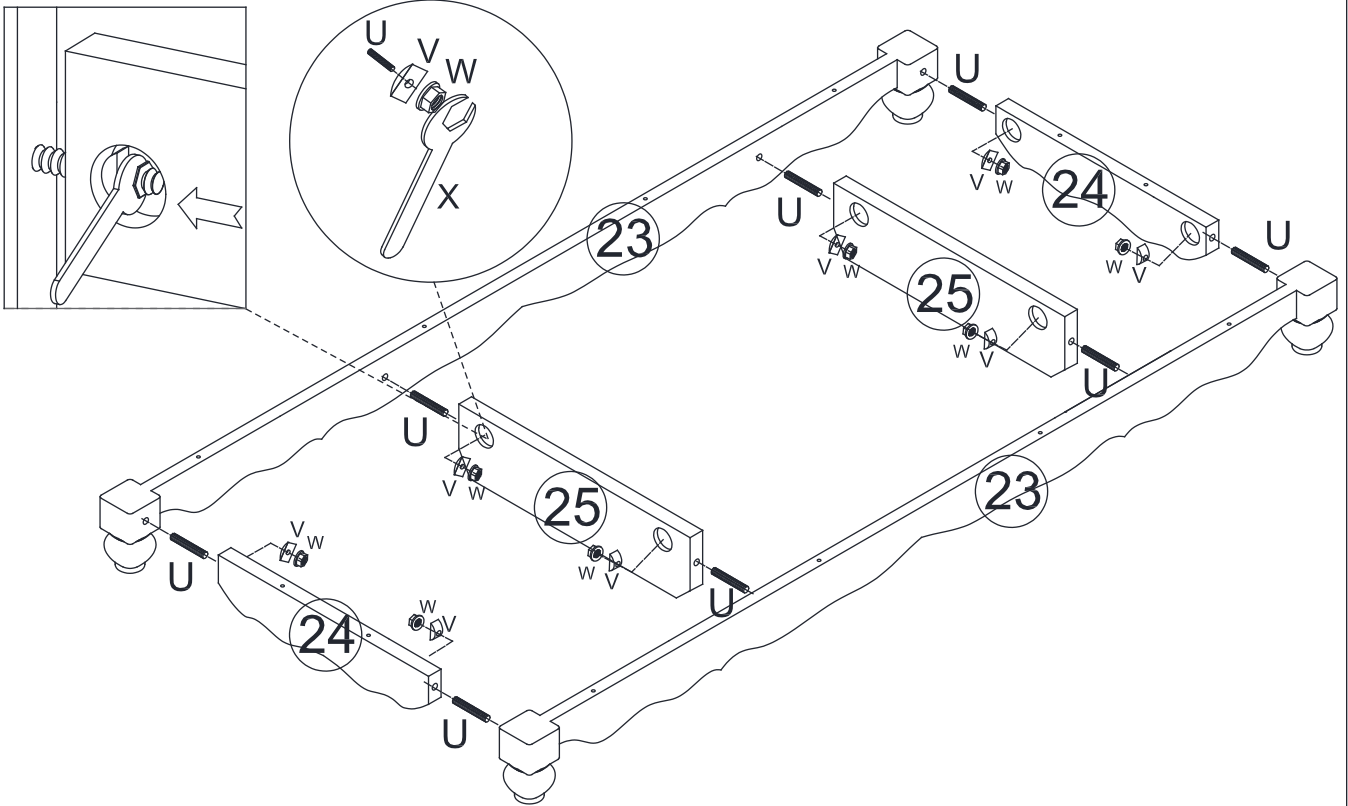
Recommended Solution:


- Please slightly loosen all screws and adjust the boards. Because the diameter of the holes on the pipes is 23 mm larger than that of bolts, the position of the boards can be adjusted.

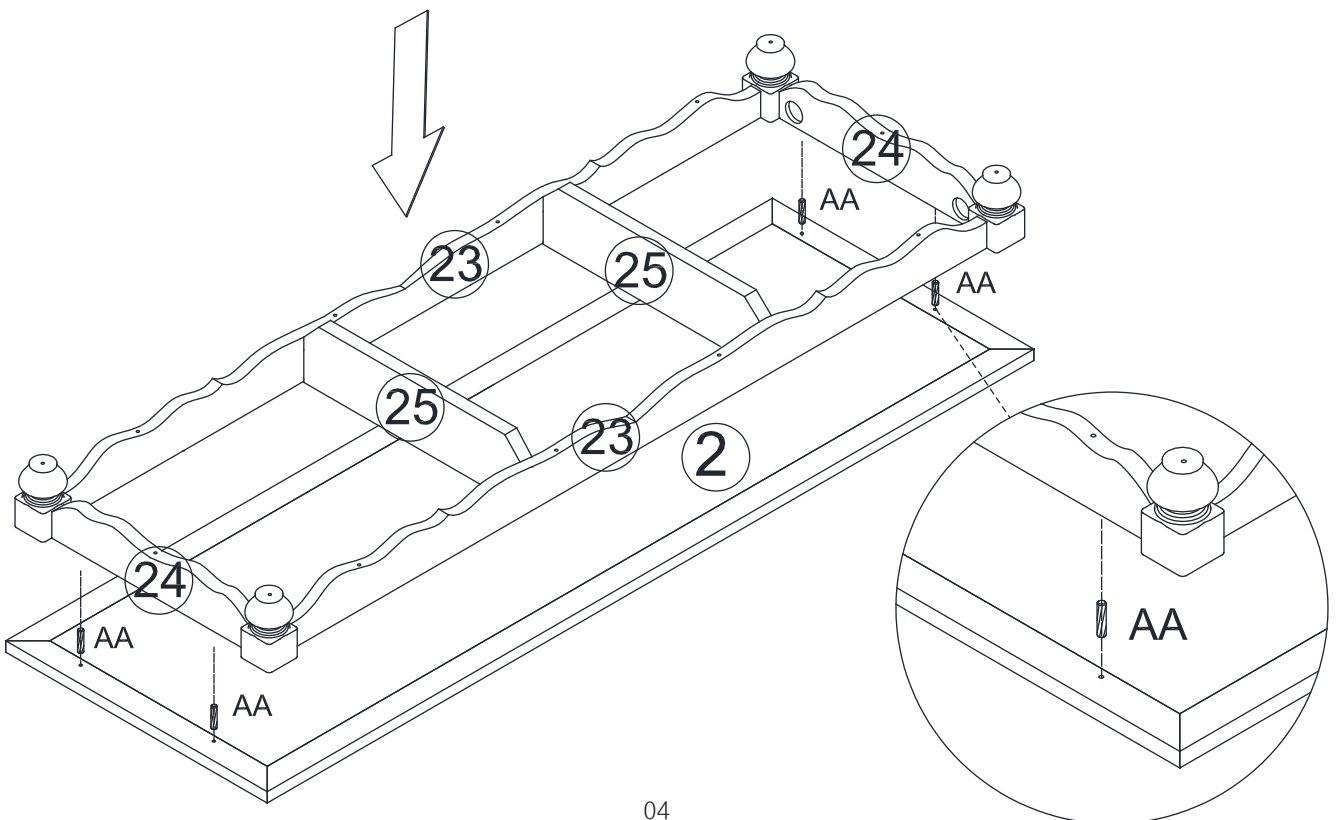


- If it still doesn't work after adjustment, please contact us for more solutions.

1	Ux8  Ø8x70mm	Vx8  30x16x8mm	Wx8  8mm	Xx1  12mm	
---	-----------------------------------------------------------------------------------------------------	-------------------------------------------------------------------------------------------------------	-------------------------------------------------------------------------------------------------	--------------------------------------------------------------------------------------------------	--



2	AAx4  Ø10x40mm	
---	---------------------------------------------------------------------------------------------------------	---------------------------------------------------------------------------------------

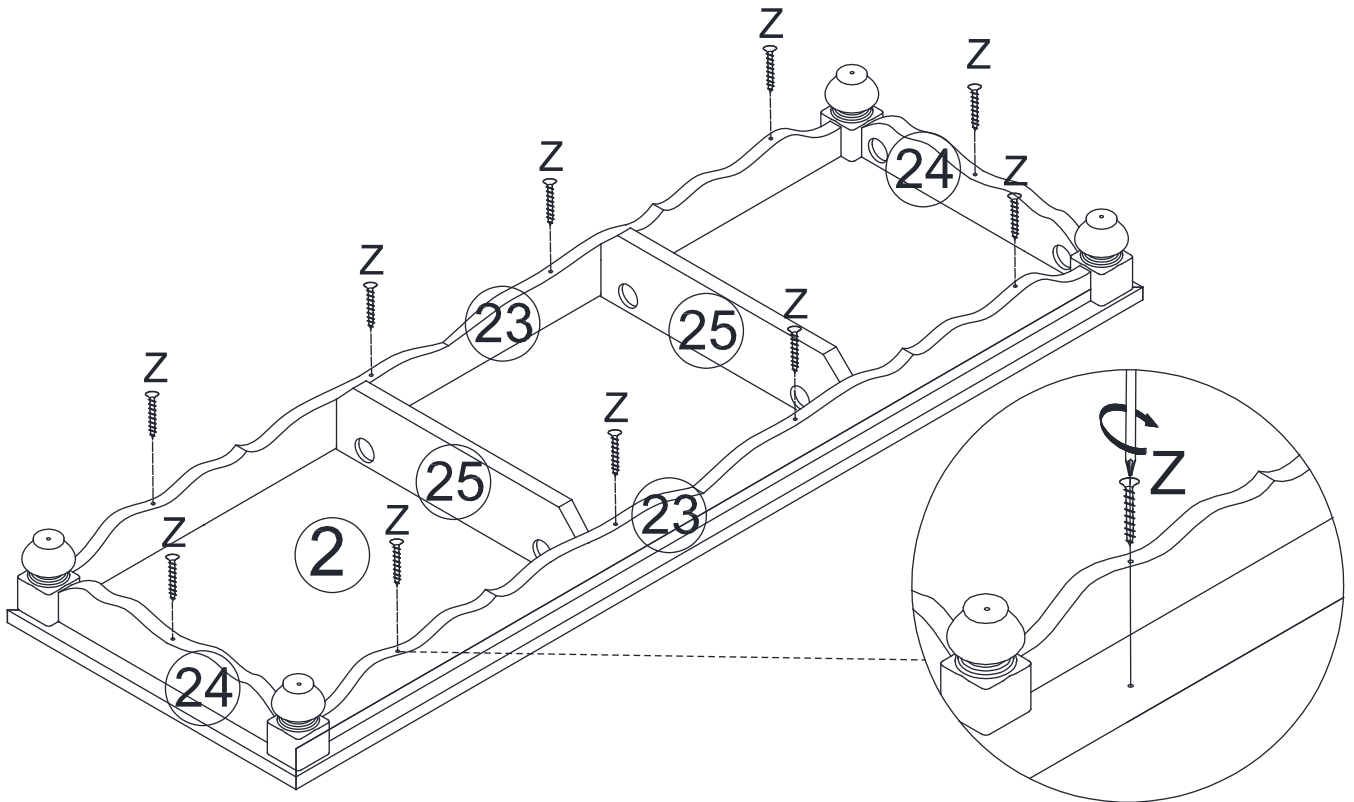
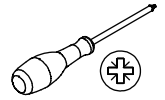


3

Zx10



Ø4x35mm

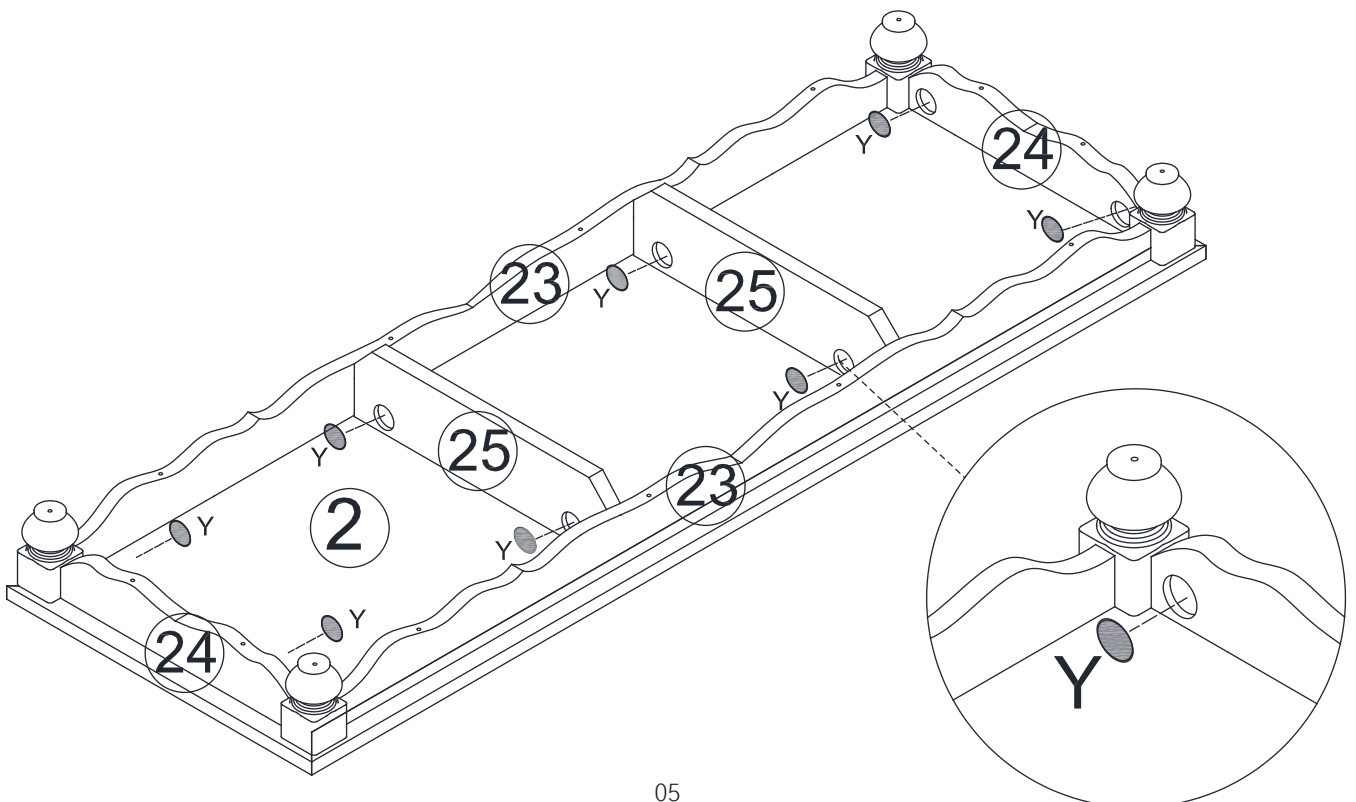


4

Yx8



38mm

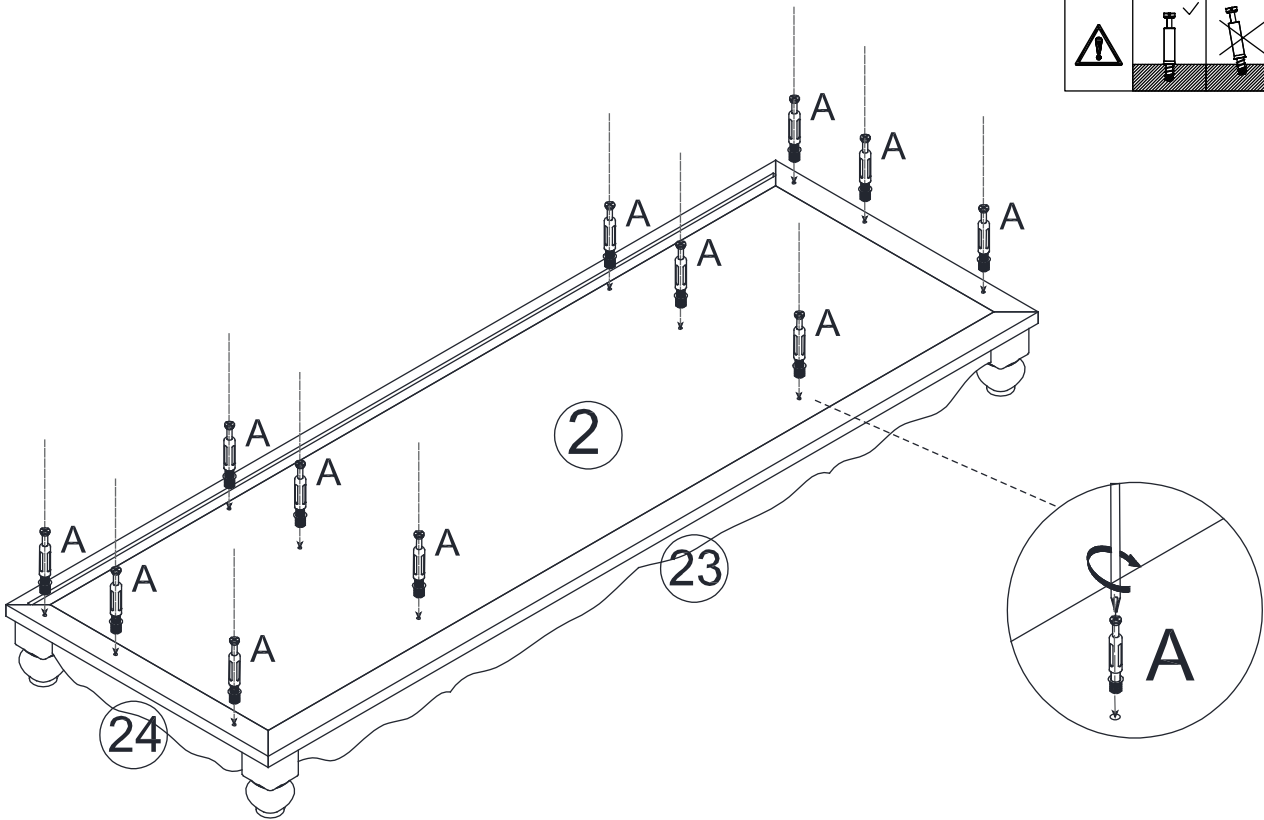
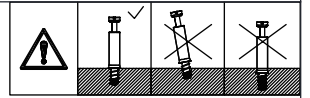
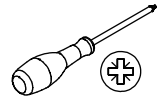


5

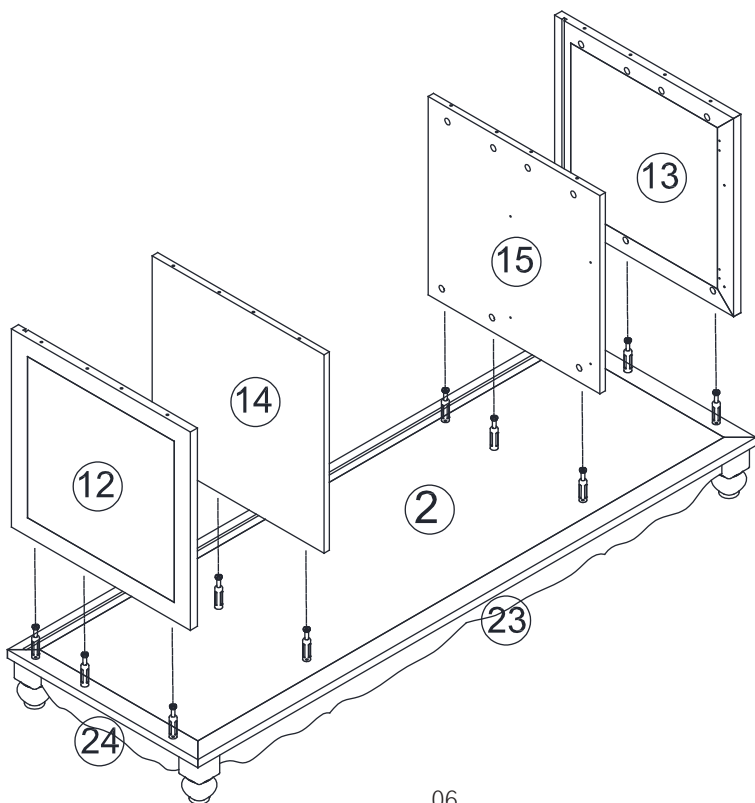
Ax12



Ø6x39mm



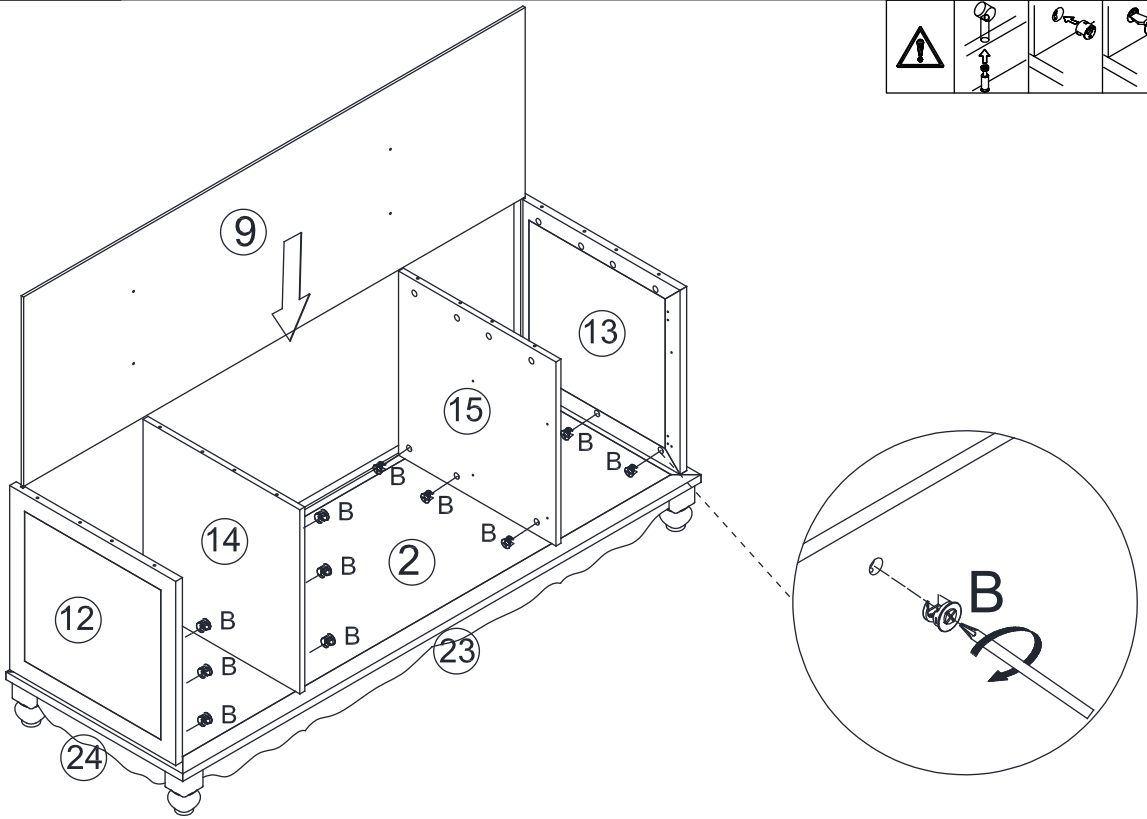
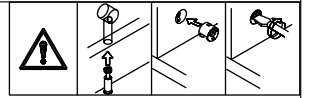
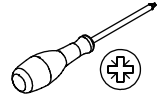
6



7

Bx12

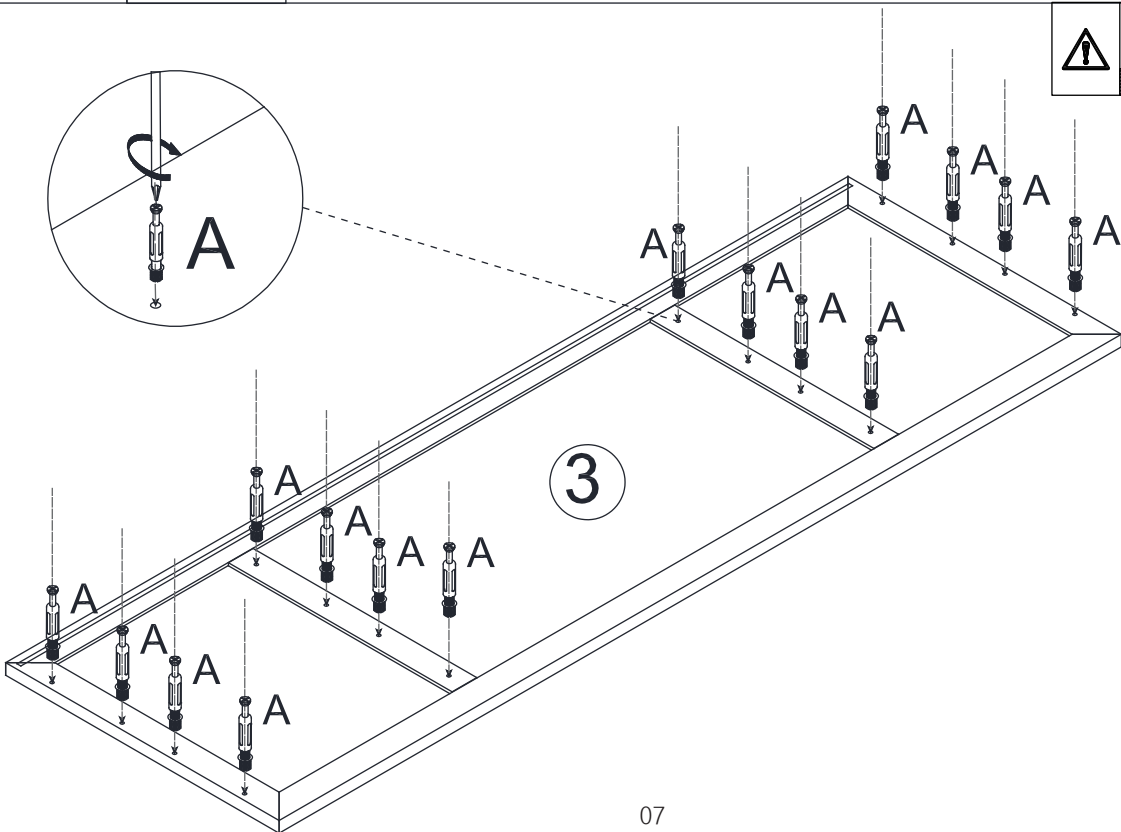
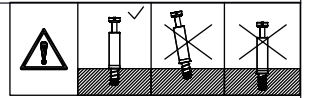
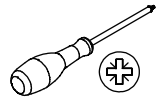
Ø15x10mm



8

Ax16

Ø6x39mm

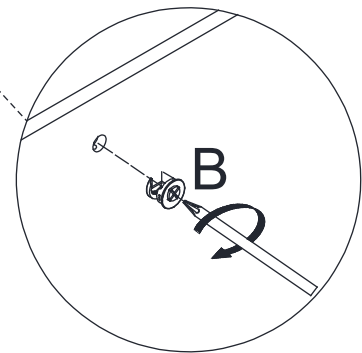
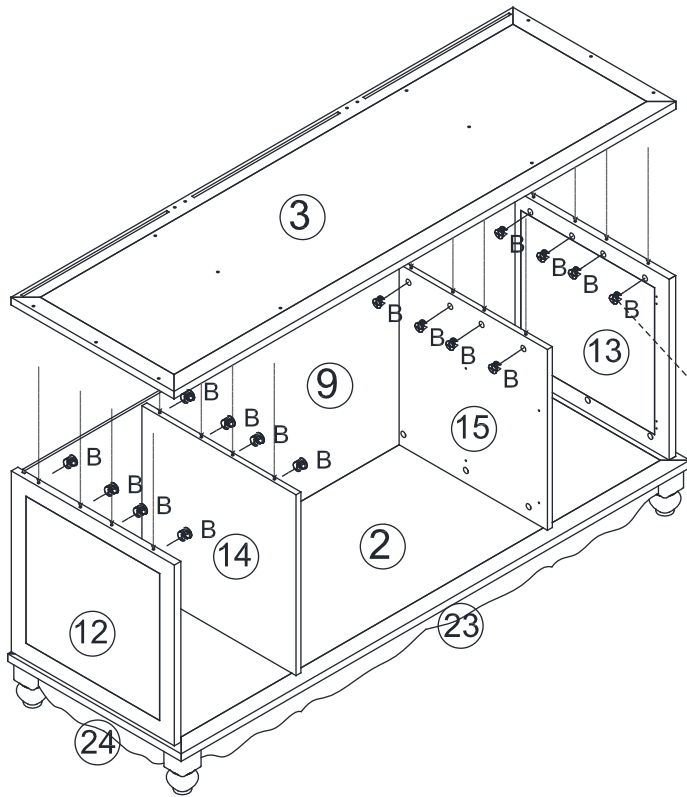
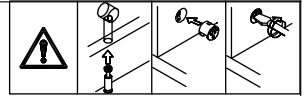
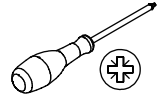


9

Bx16



Ø15x10mm

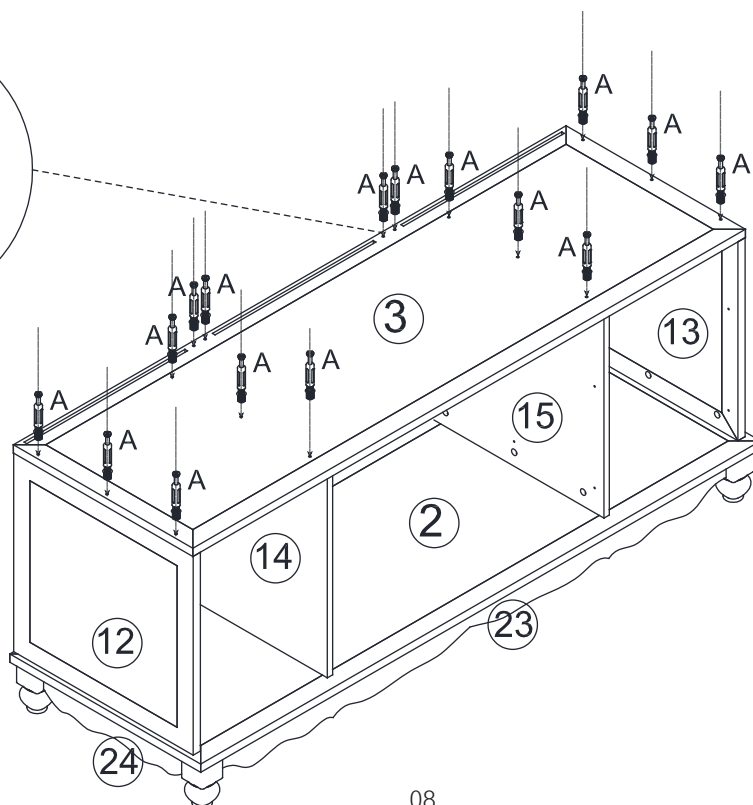
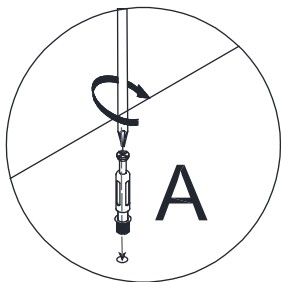
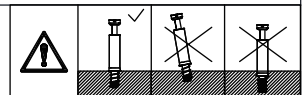
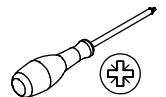


10

Ax16



Ø6x39mm



11

Ax6



Ø6x39mm

Fx2

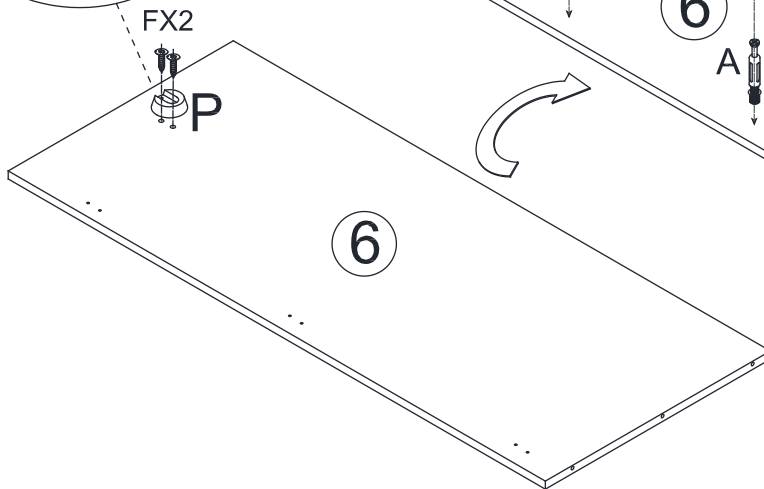
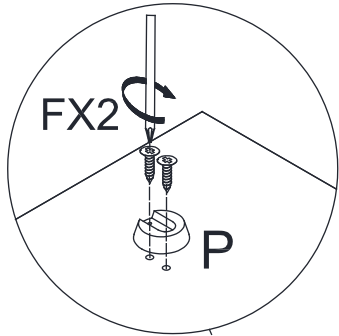
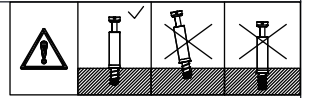
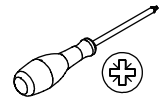


Ø3.5x16mm

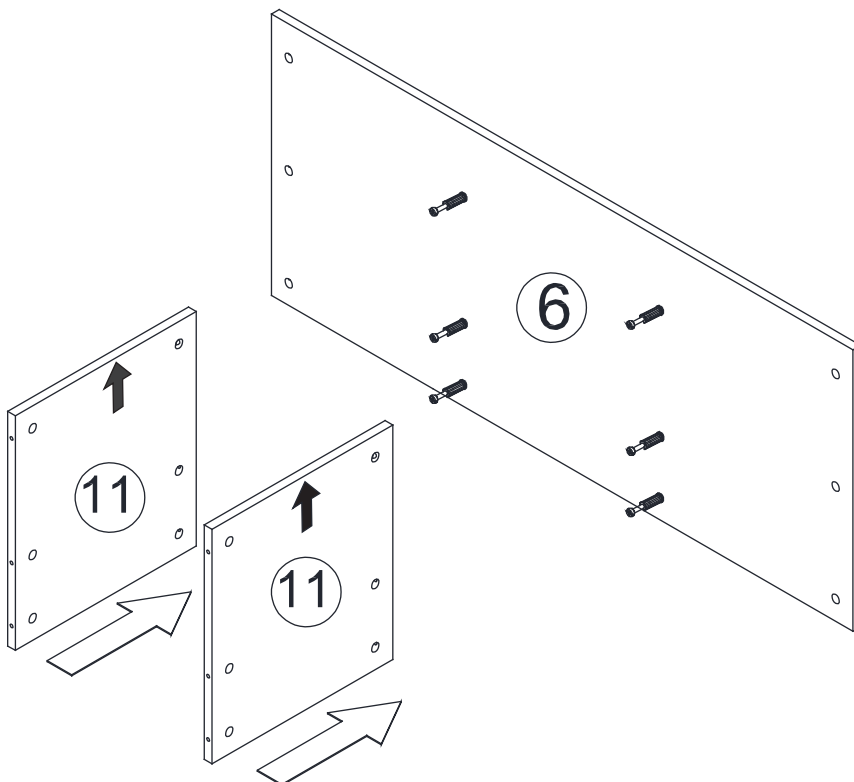
Px1



Ø55x20mm



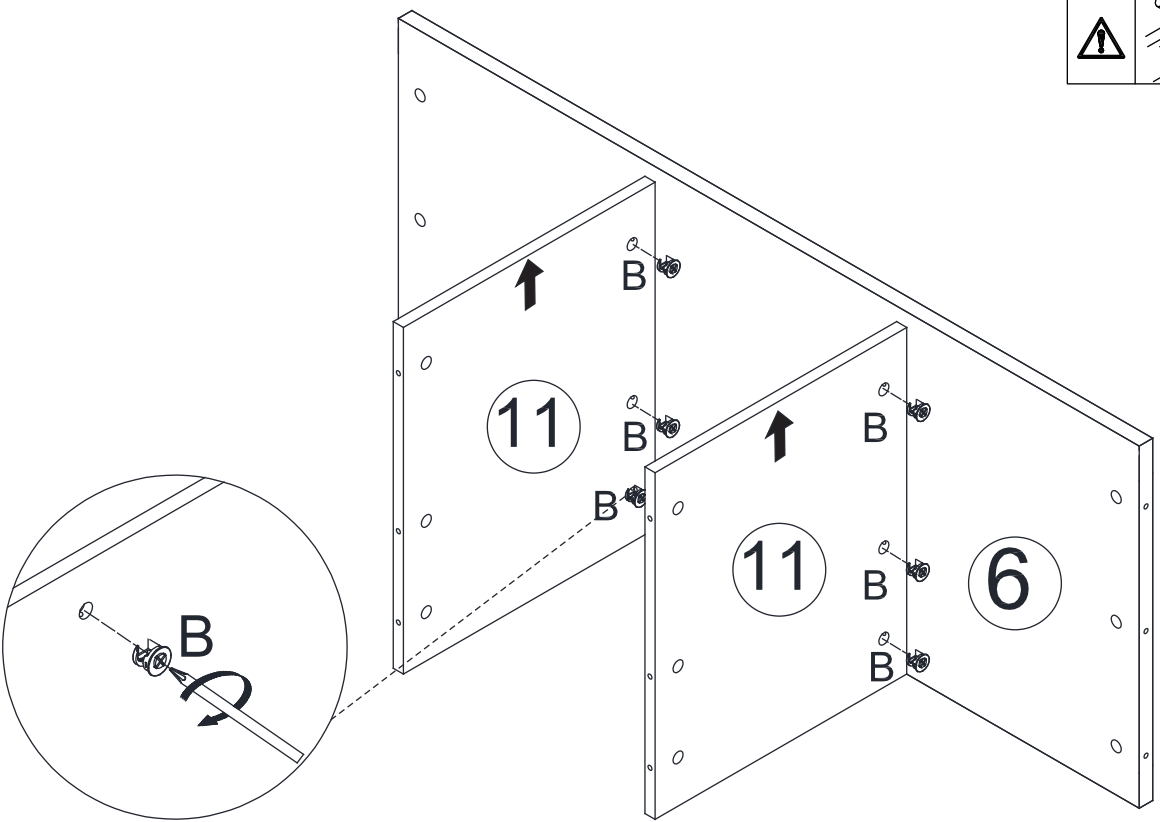
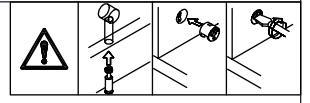
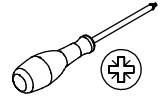
12



13

Bx6

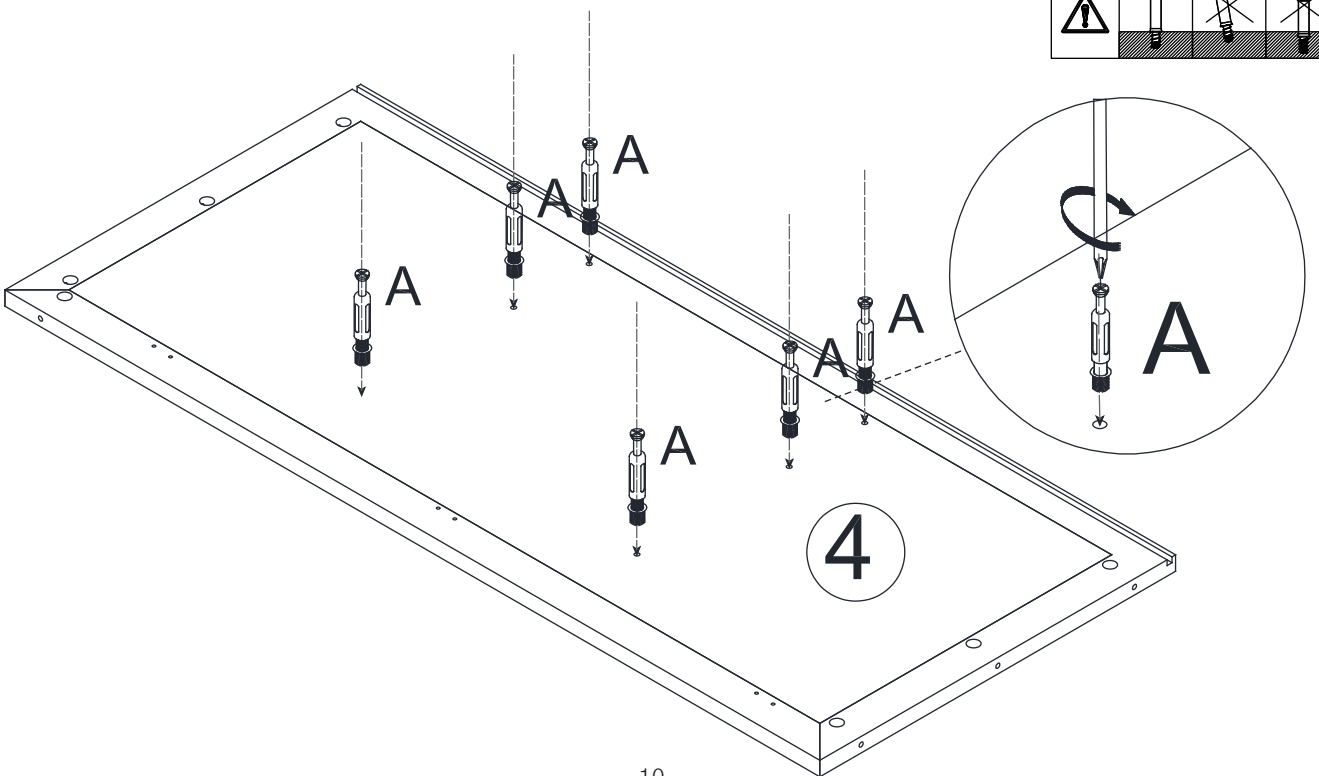
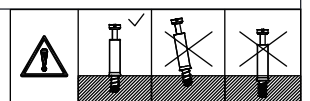
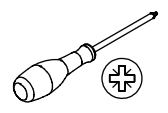
Ø15x10mm



14

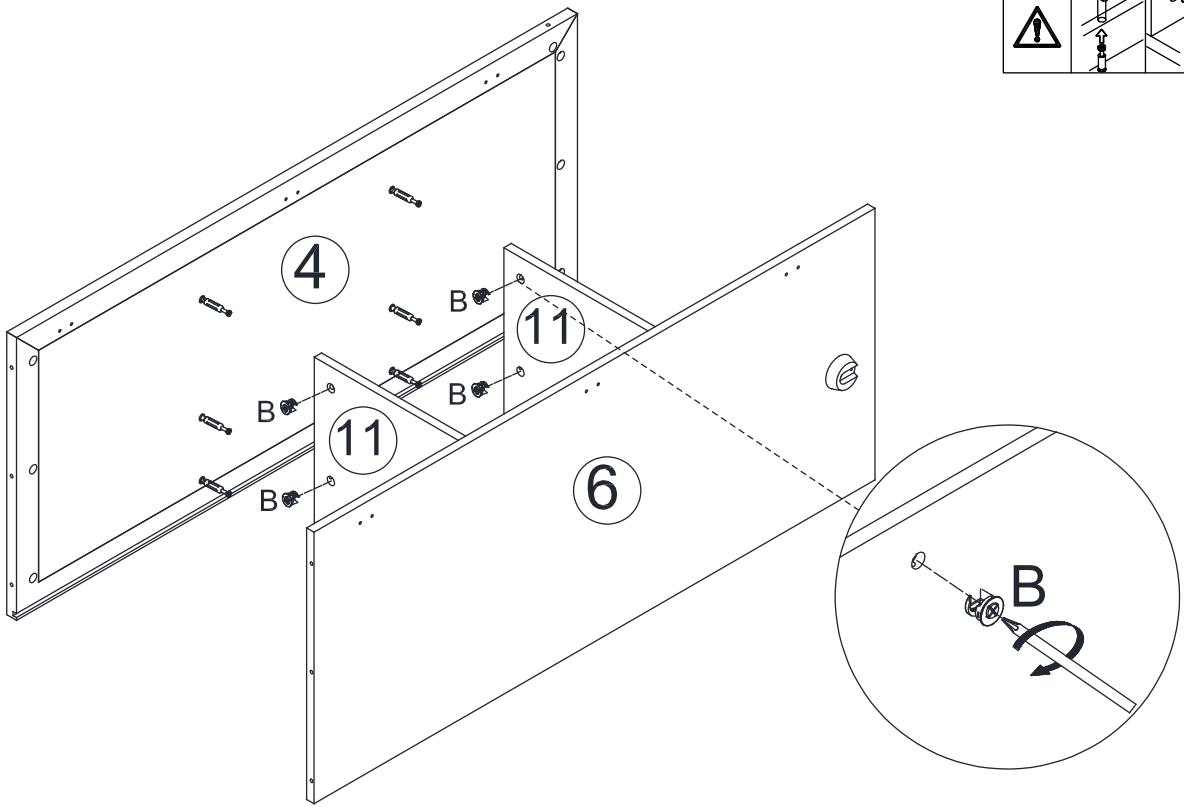
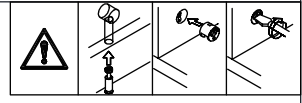
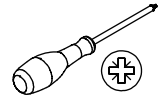
Ax6

Ø6x39mm

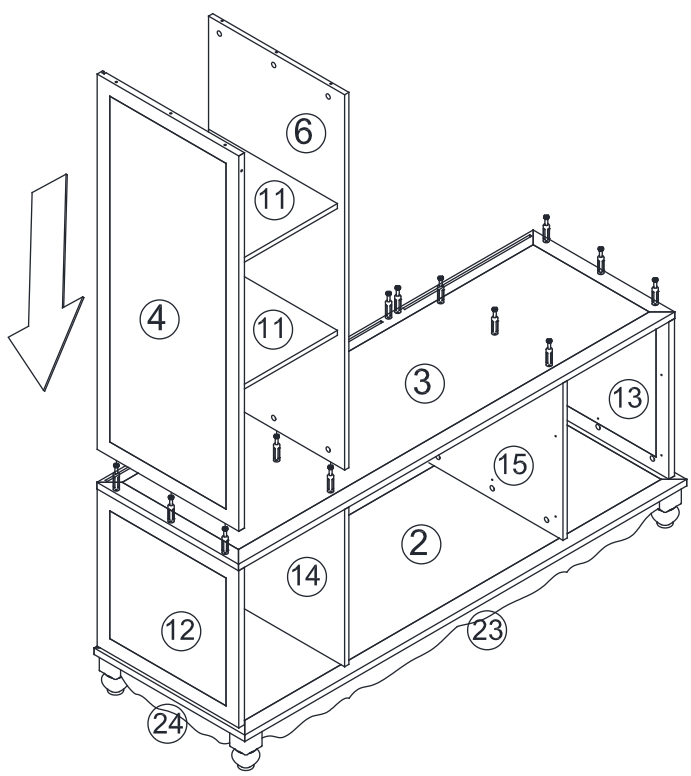


15

Bx6
Ø15x10mm



16

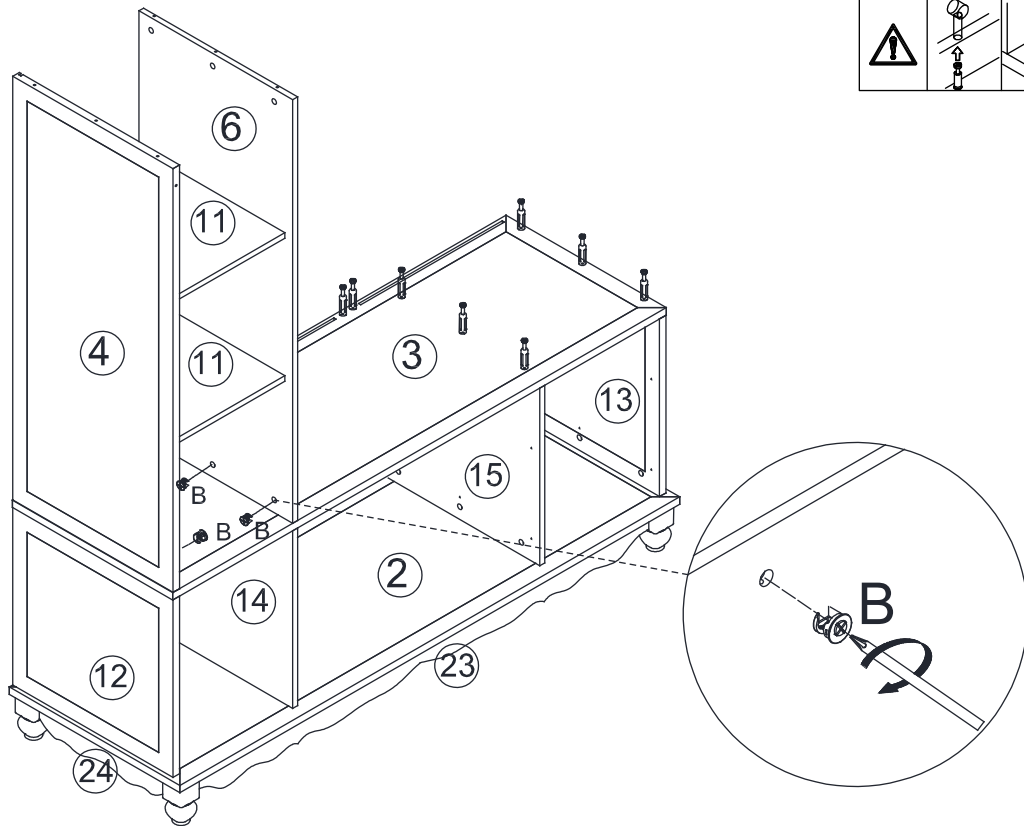
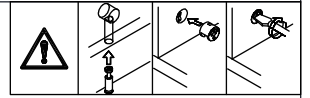
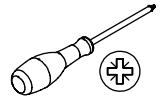


17

Bx6



Ø15x10mm



18

Fx6

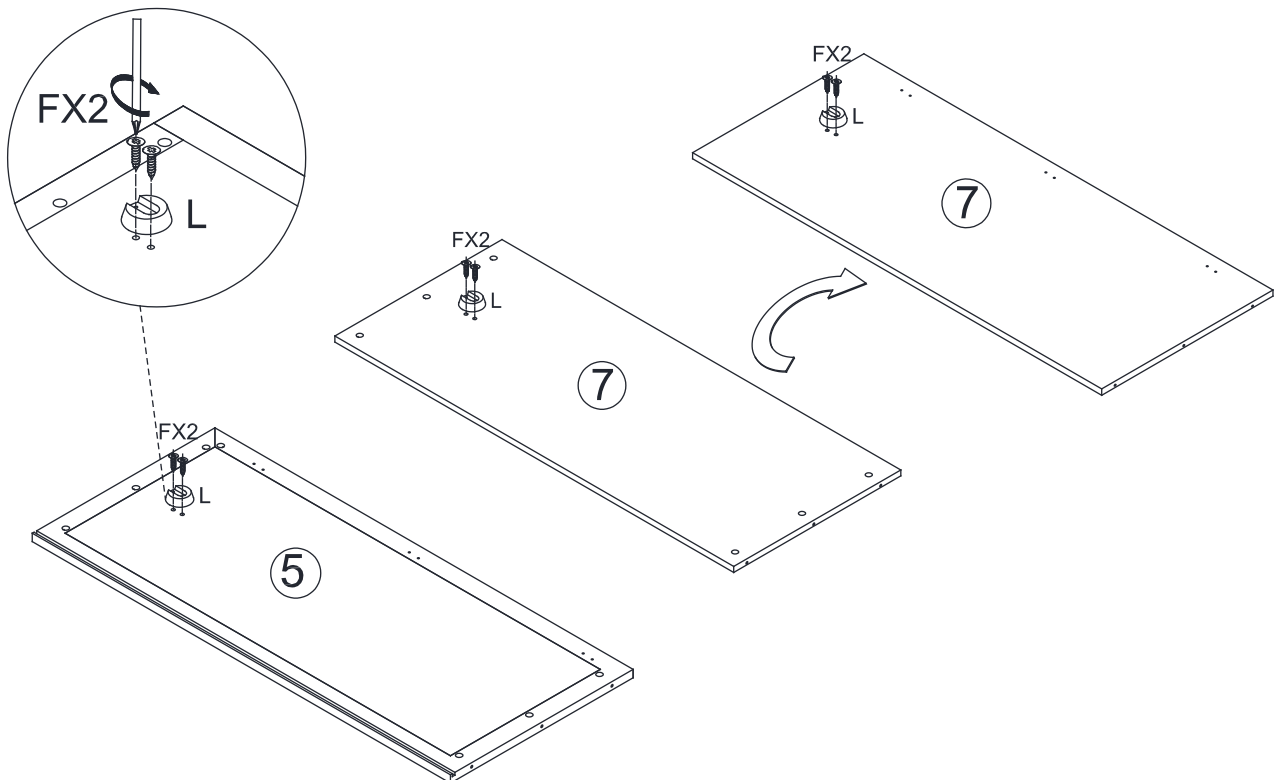
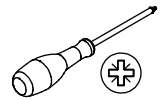


Ø3.5x16mm

Lx3

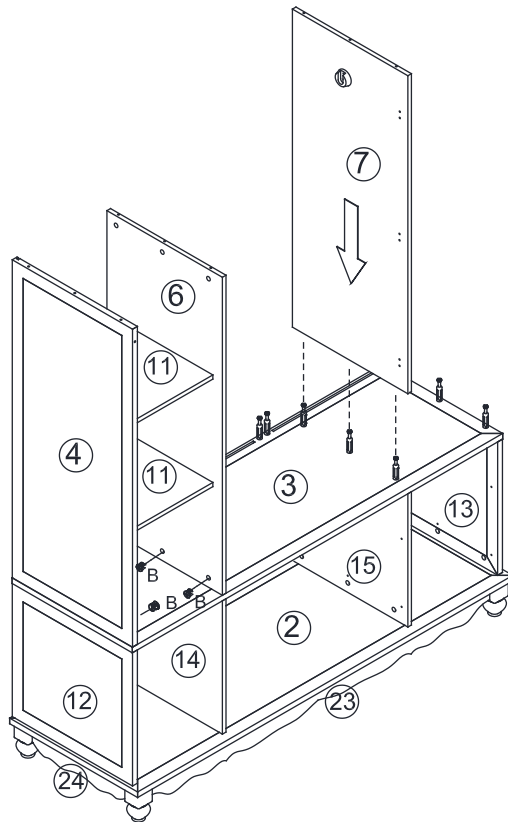
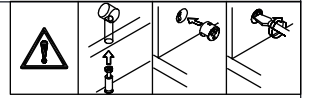
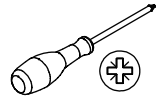


Ø55x20mm



19

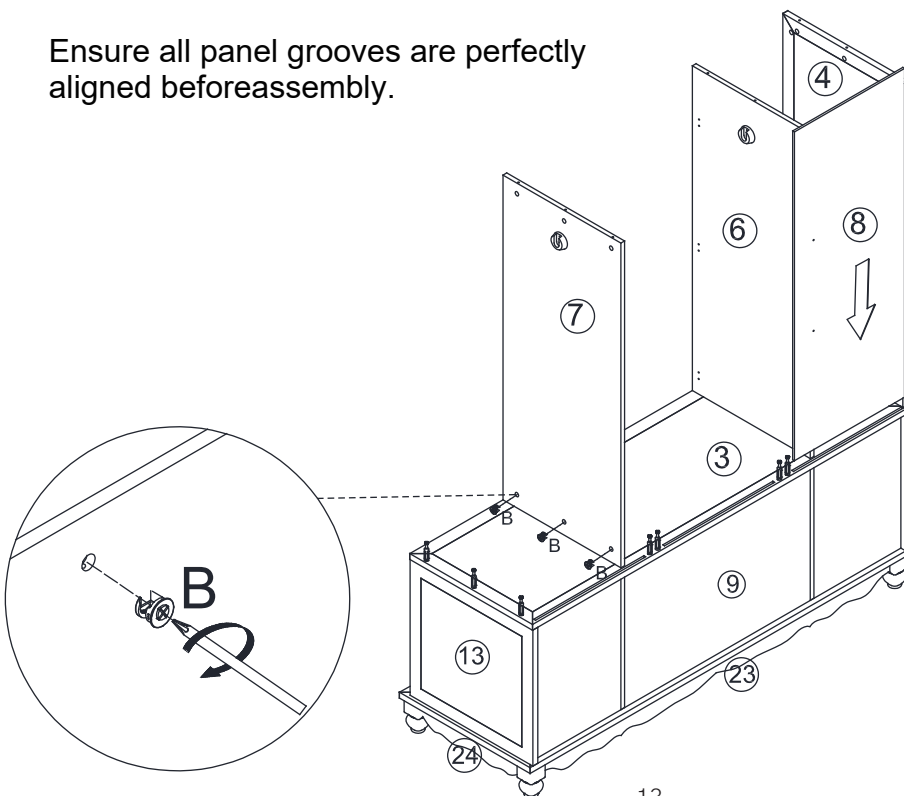
Bx6
Ø15x10mm



20

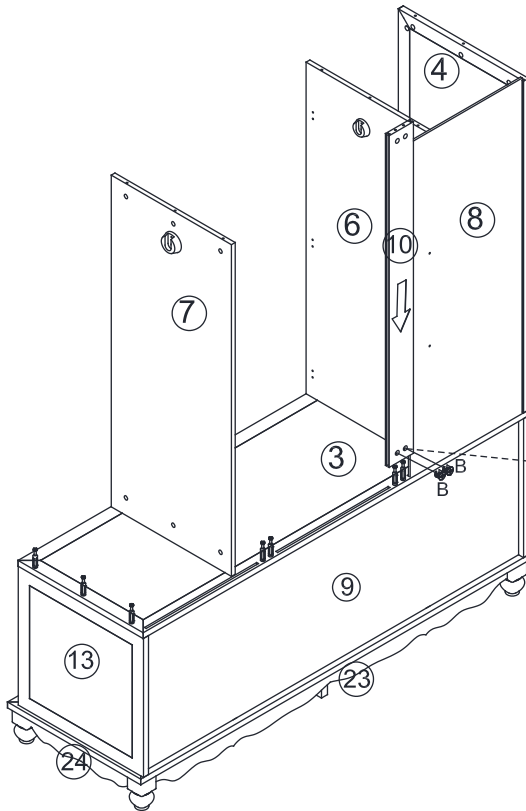
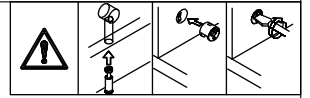
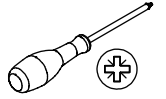
Bx3
Ø15x10mm

Ensure all panel grooves are perfectly aligned before assembly.

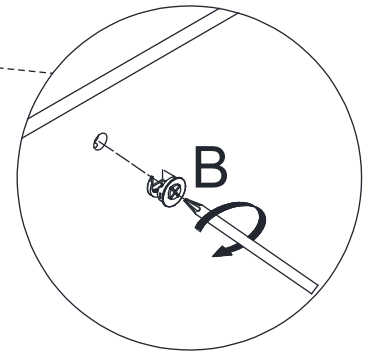


21

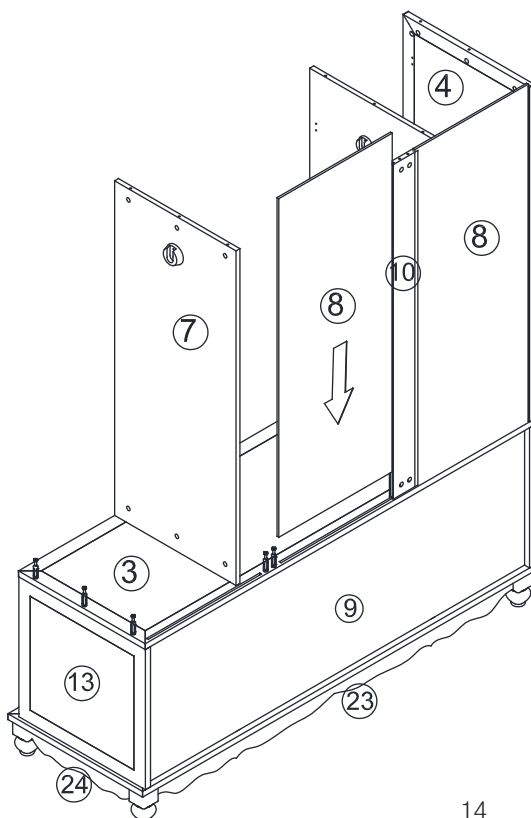
Bx2
Ø15x10mm



Ensure all panel grooves are perfectly aligned before assembly.



22



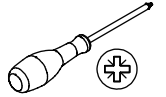
Ensure all panel grooves are perfectly aligned before assembly.

23

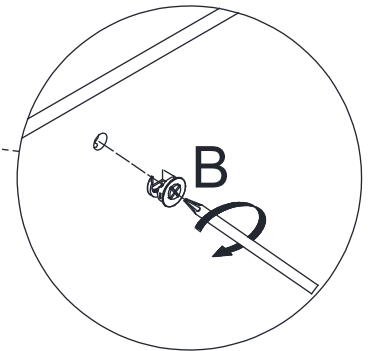
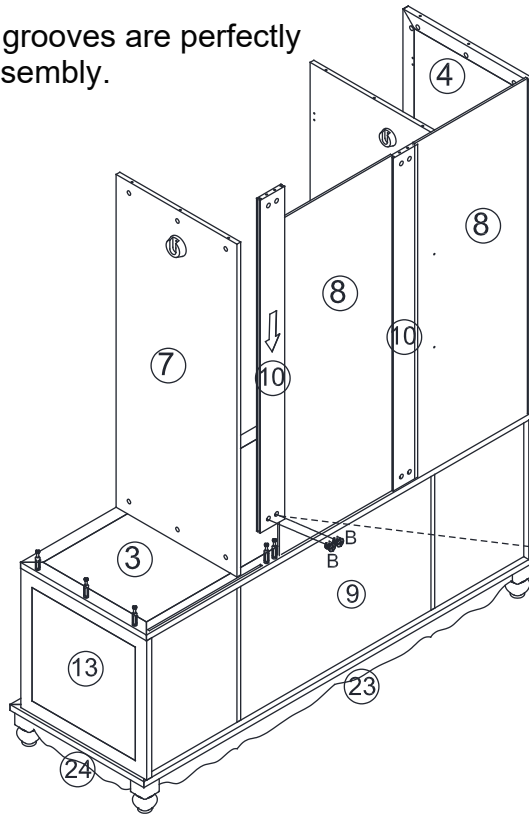
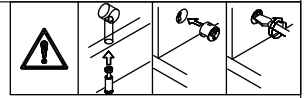
Bx2



Ø15x10mm

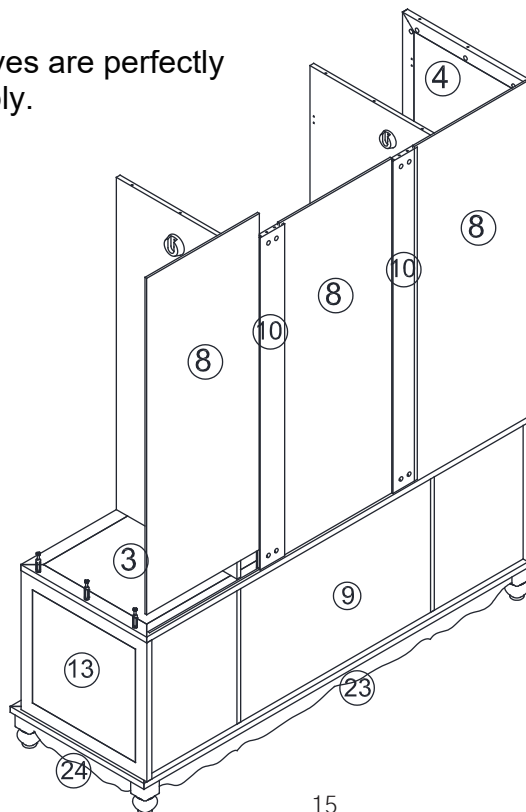


Ensure all panel grooves are perfectly aligned before assembly.



24

Ensure all panel grooves are perfectly aligned before assembly.

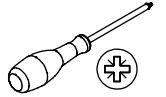


25

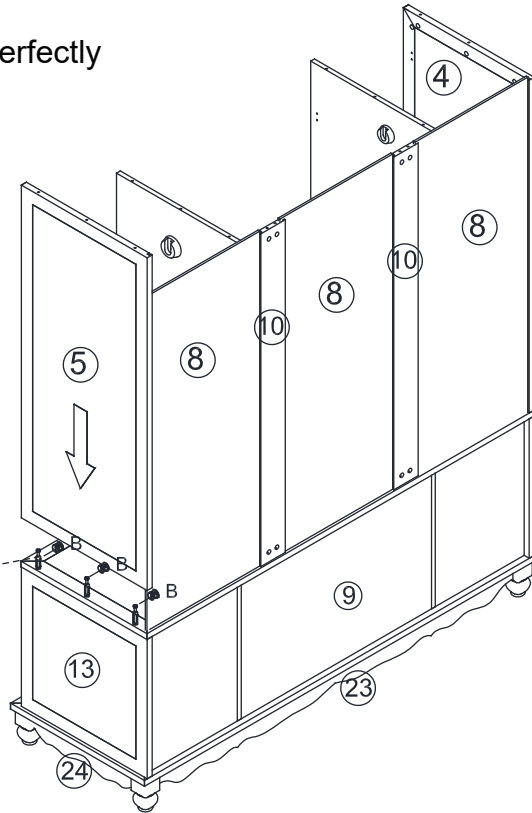
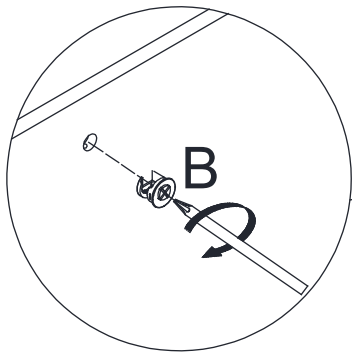
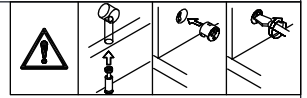
Bx3



Ø15x10mm



Ensure all panel grooves are perfectly aligned before assembly.

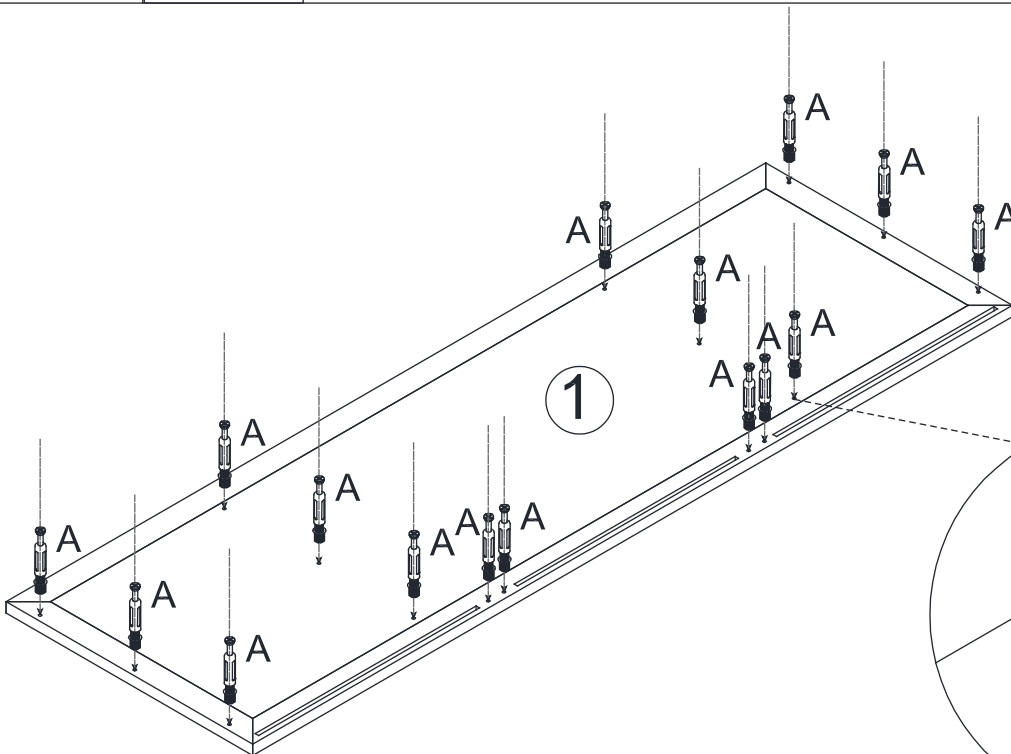
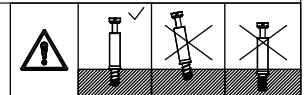
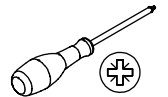


26

Ax16



Ø6x39mm

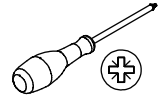


27

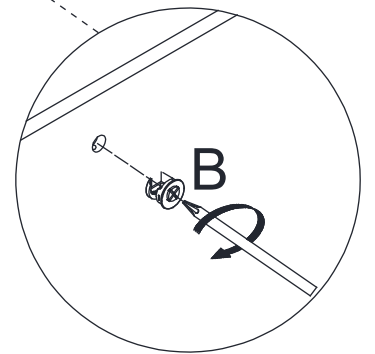
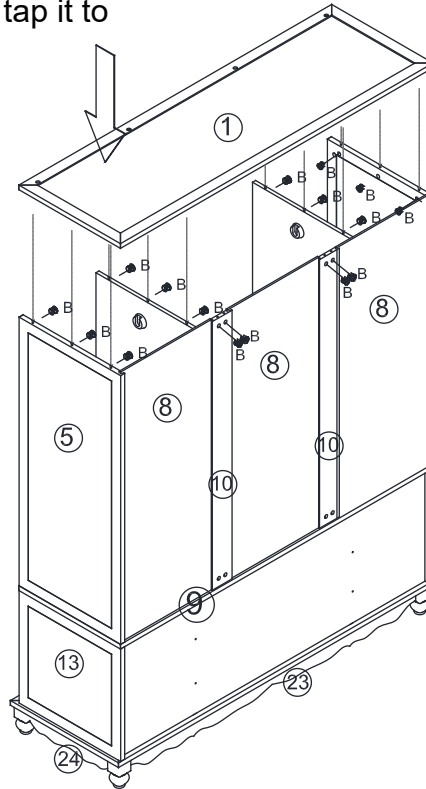
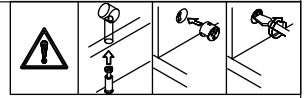
Bx16



Ø15x10mm



When installing Panel 1, gently tap it to ensure proper alignment and smooth installation.

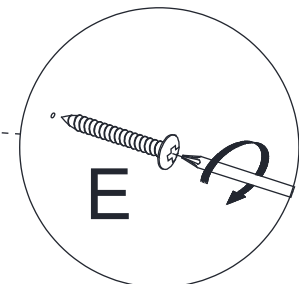
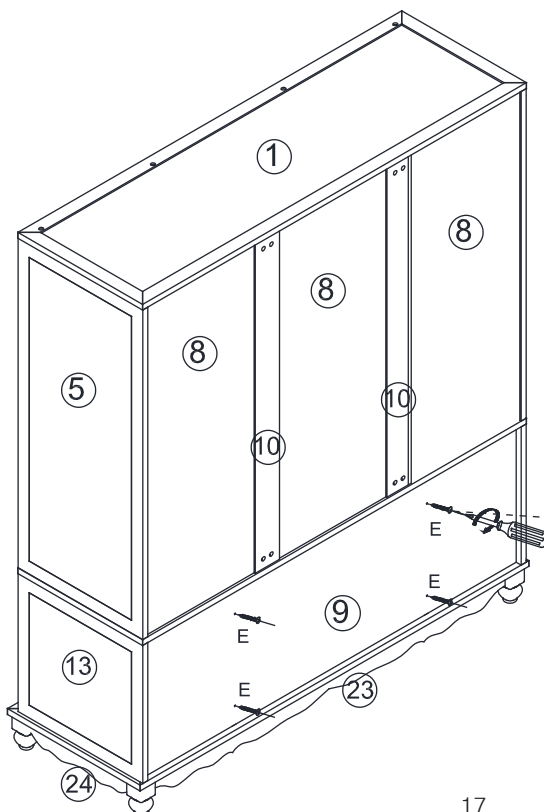
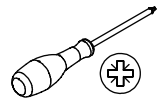


28

Ex4



Ø4x30mm



29

Ax6

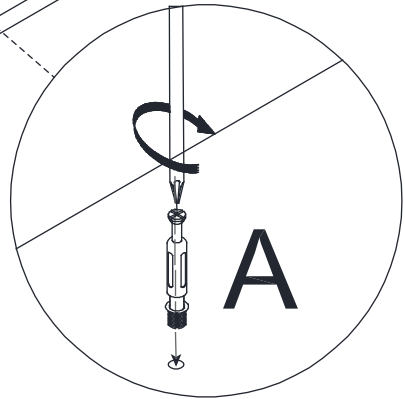
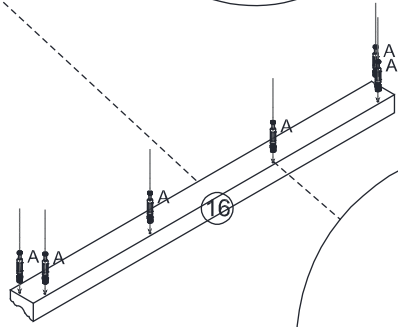
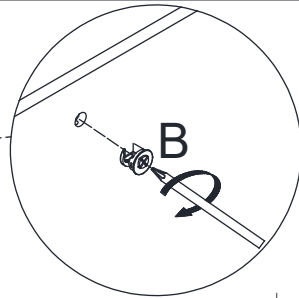
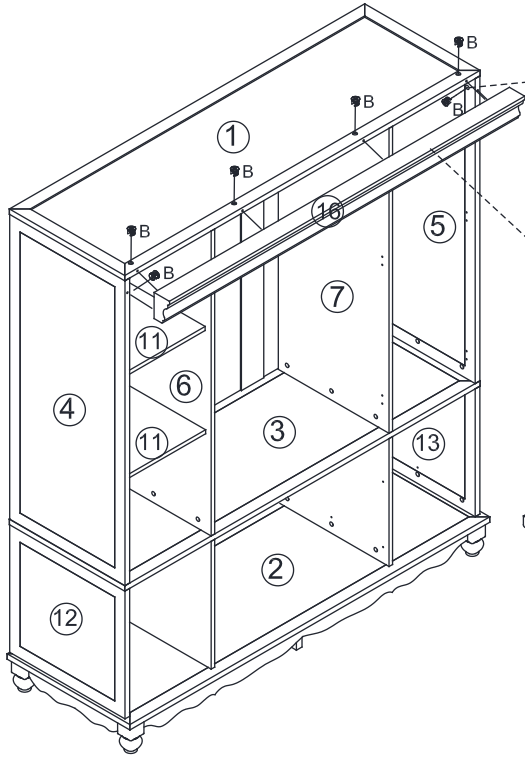
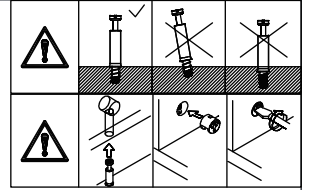
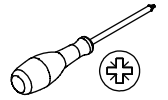


Ø6x39mm

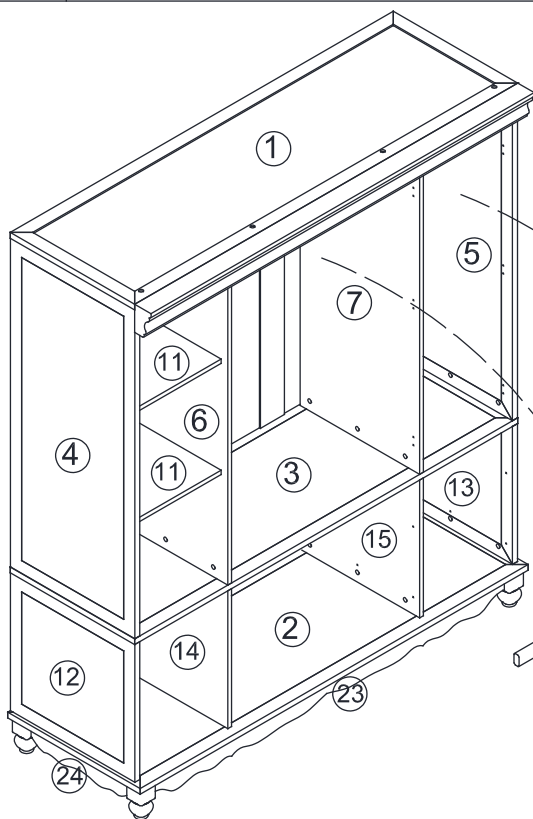
Bx6

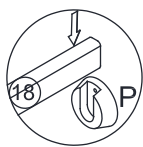
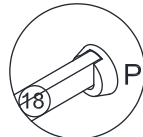


Ø15x10mm

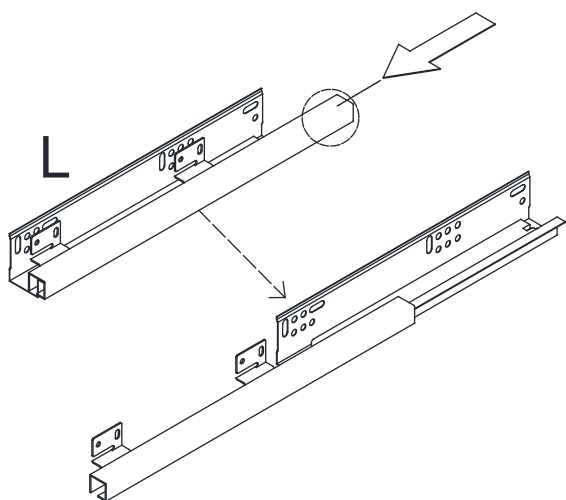


30

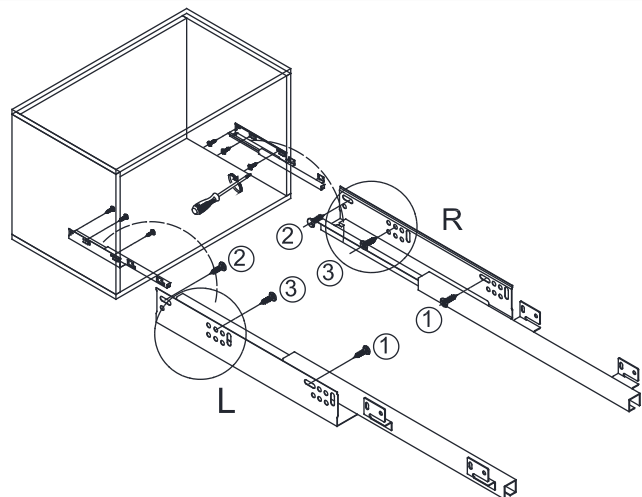


- 1 
- 2 
- 3 

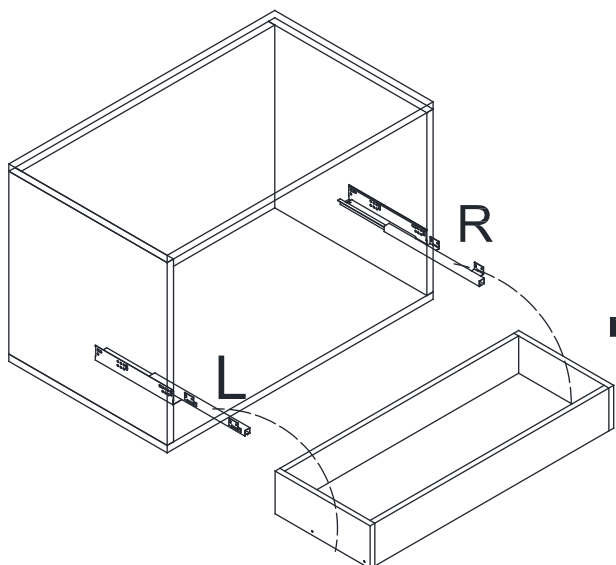
drawer slide Instruction



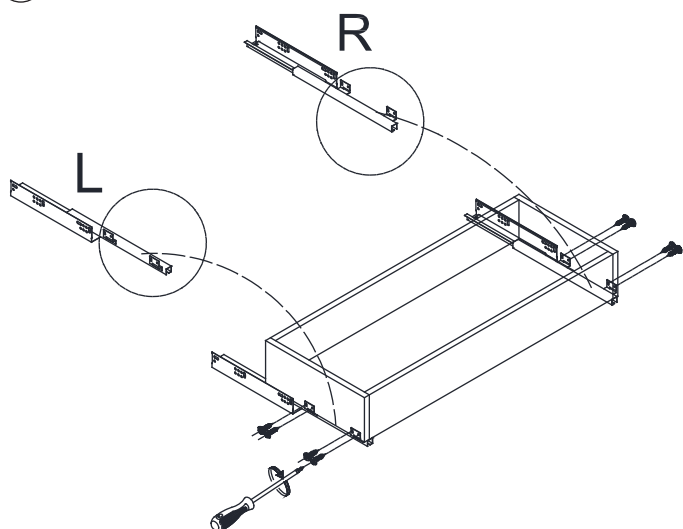
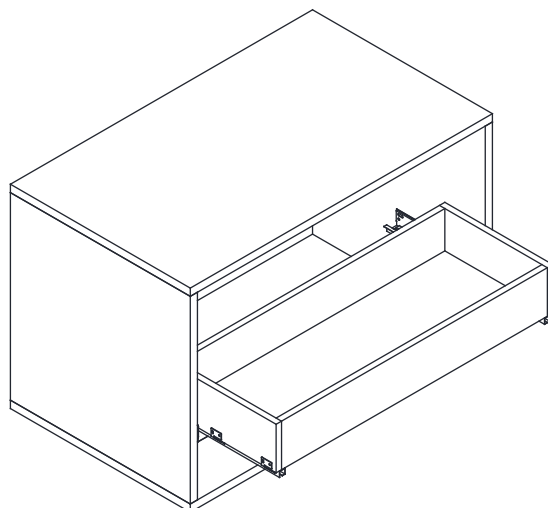
① Push the slide rail at this end outwards.



② Fix the slide rail at this end onto the cabinet body with screws.



③ Place the drawer on the slide.



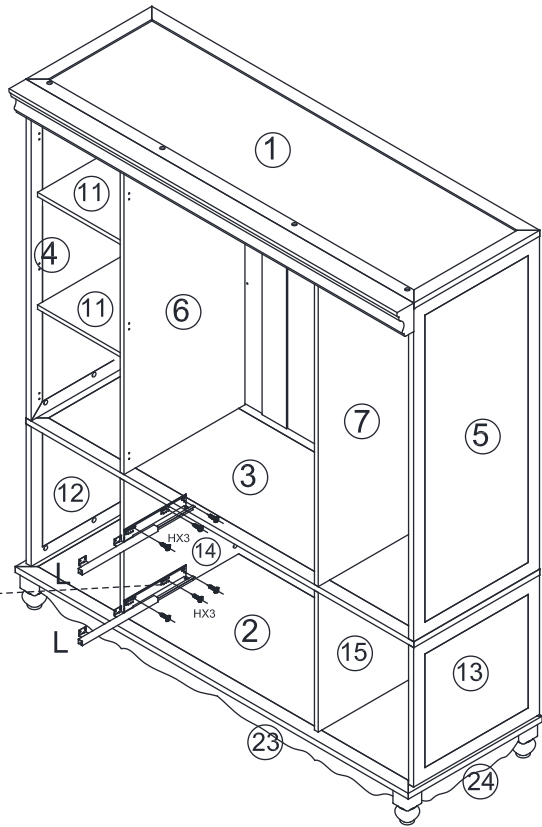
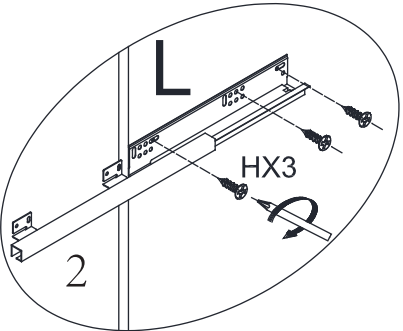
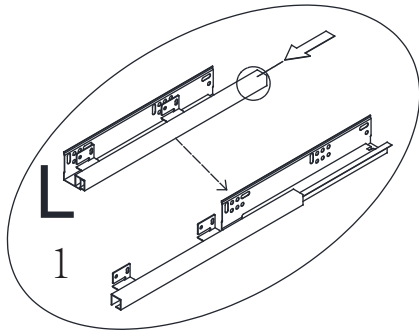
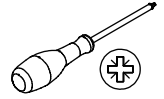
④ Secure this end of the slide track with screws and attach the drawer.

⑤ Once installed, the drawer can be pulled out and pushed in freely.

31

Hx6
Ø3.5x14mm

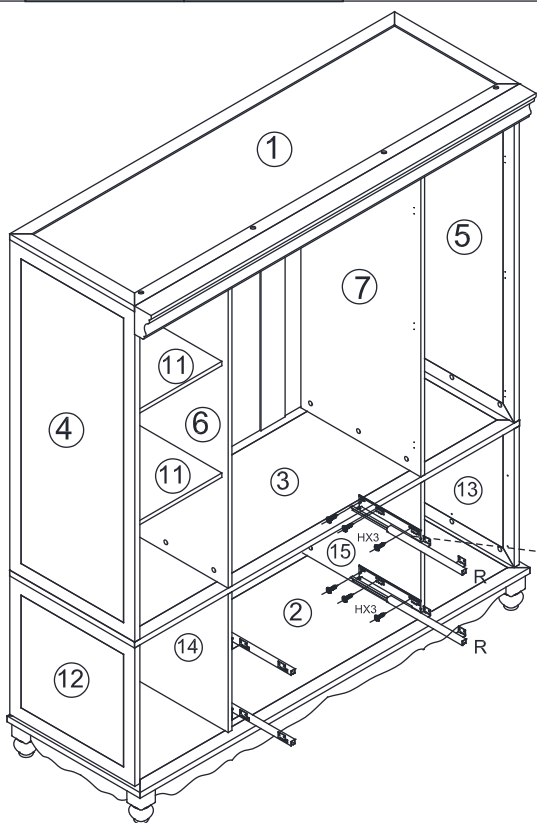
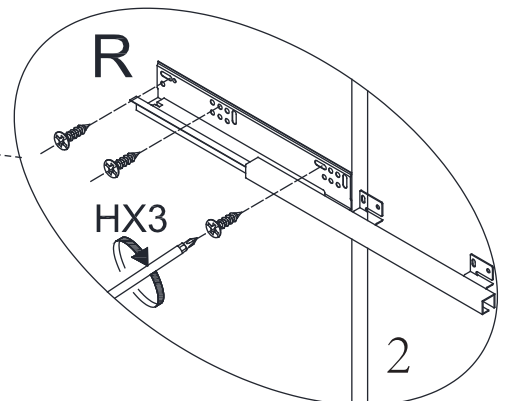
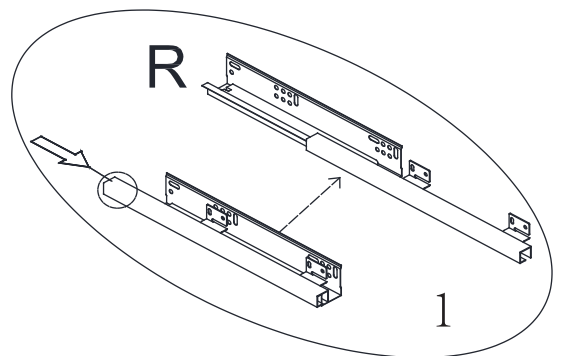
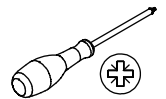
Lx2
350mm



32

Hx6
Ø3.5x14mm

Rx2
350mm

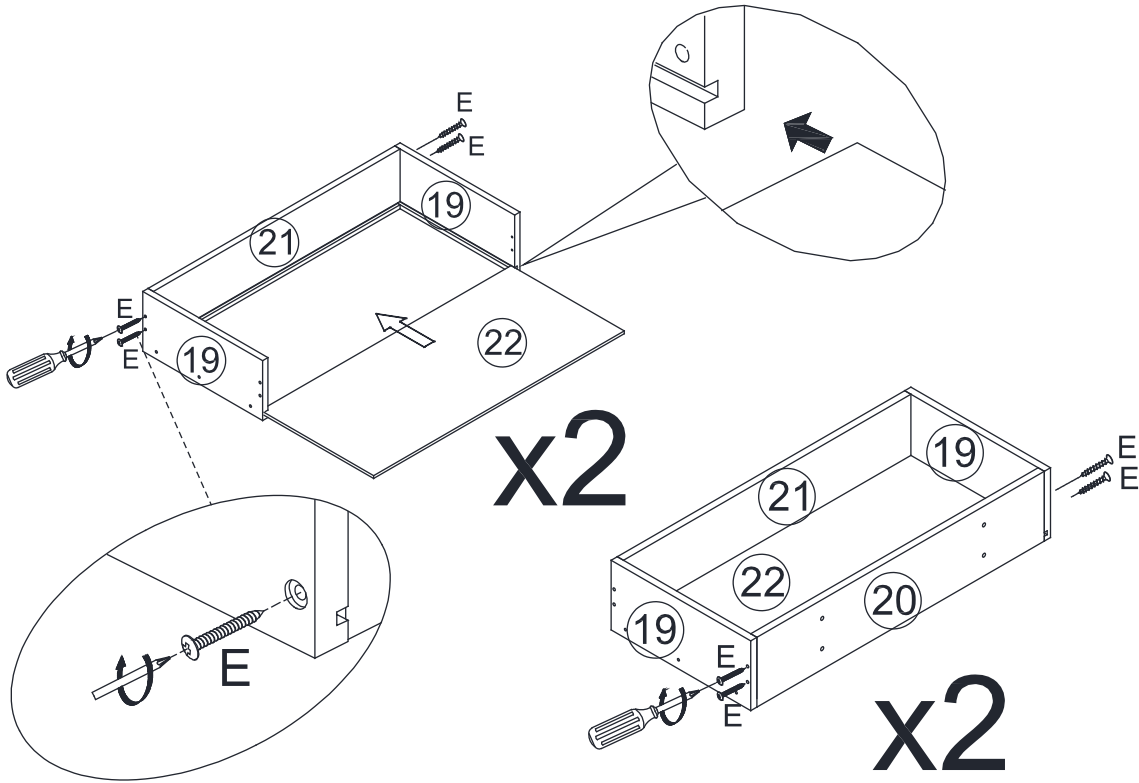
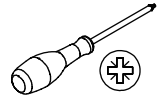


33

Ex16



Ø4x30mm



34

Cx8



Ø6x20mm

Dx1



M4

Ix4

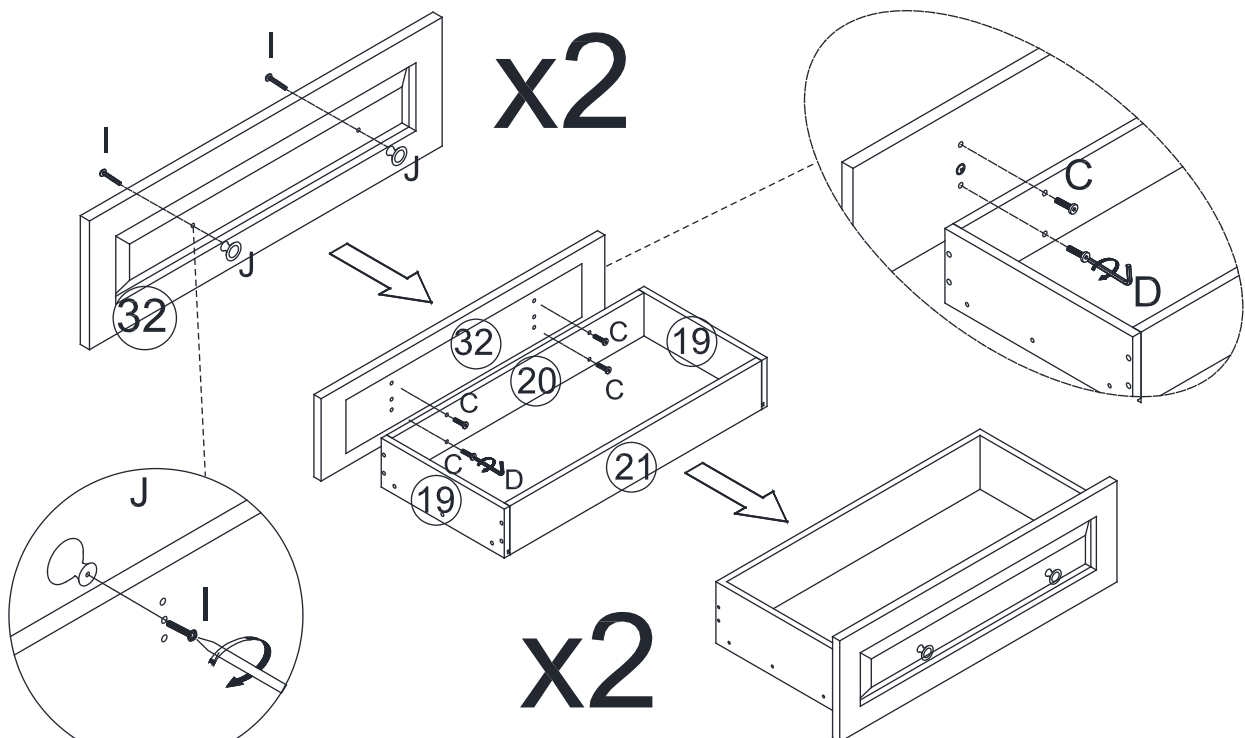
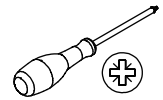


Ø3.5x18mm

Jx4



Ø30x25mm

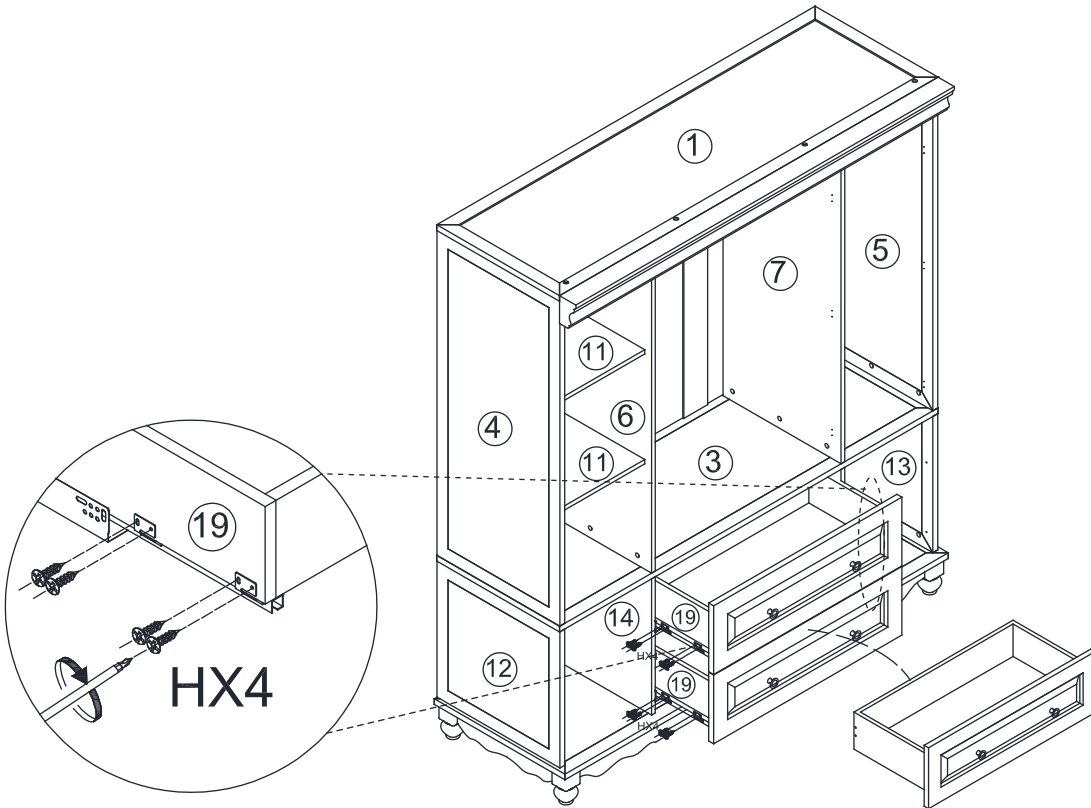
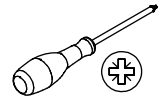


35

Hx16



Ø3.5x14mm



36

Hx8

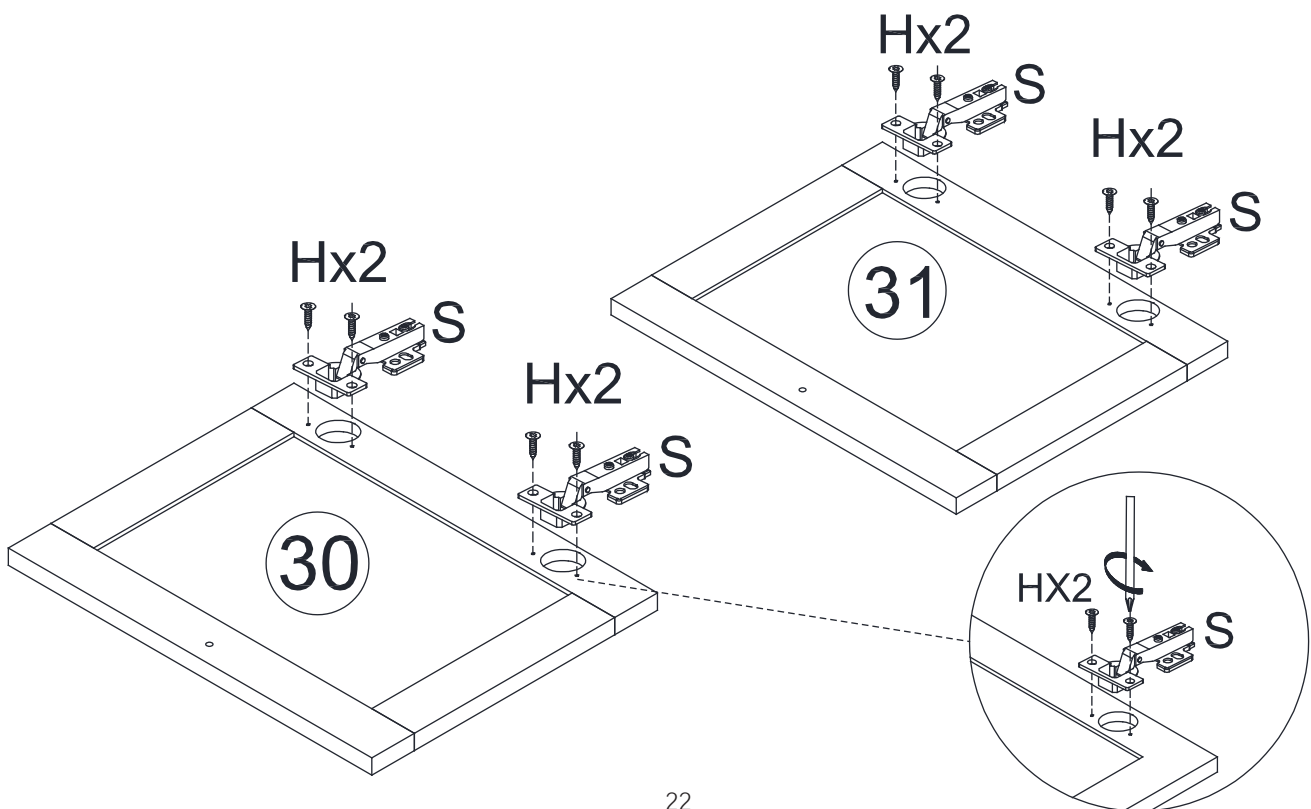
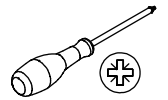


Ø3.5x14mm

Sx4



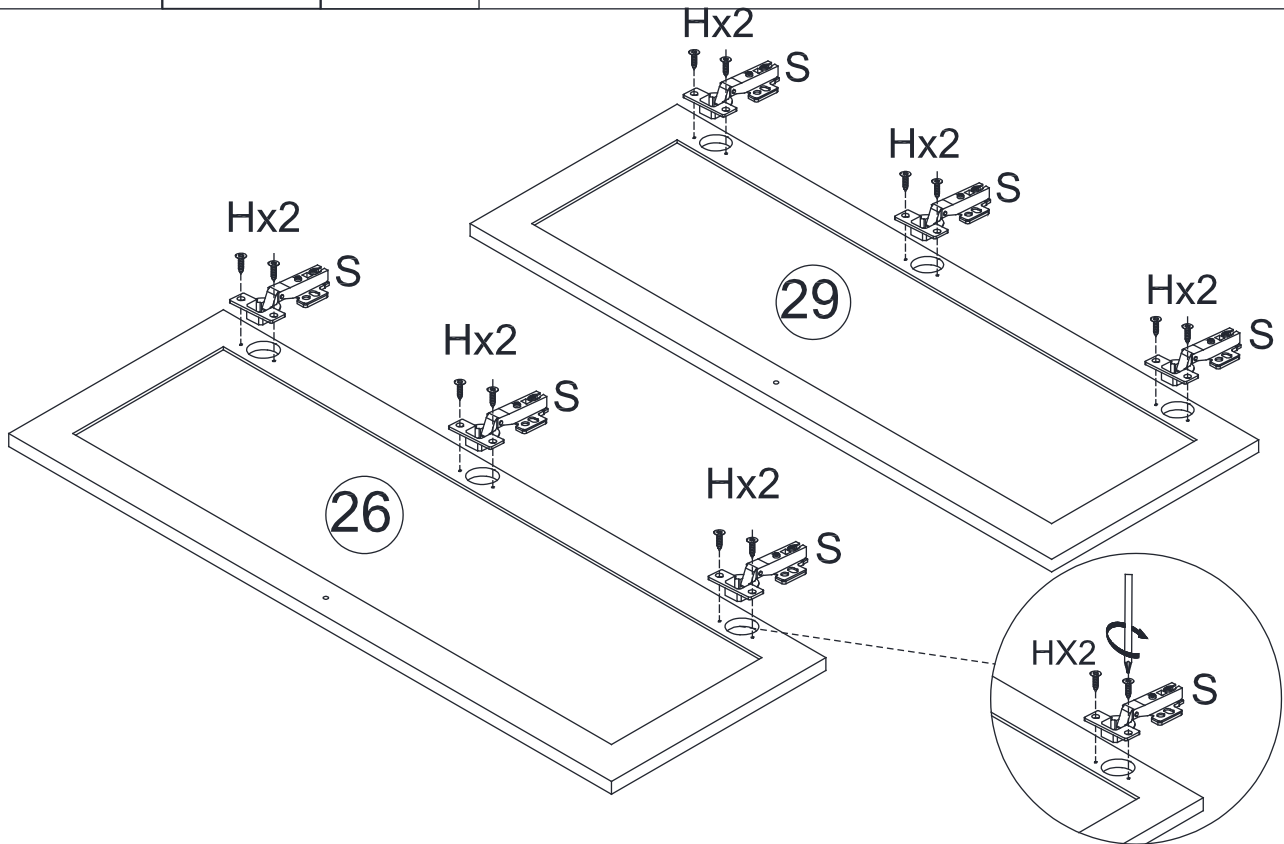
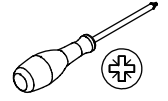
40mm



37

Hx12
Ø3.5x14mm

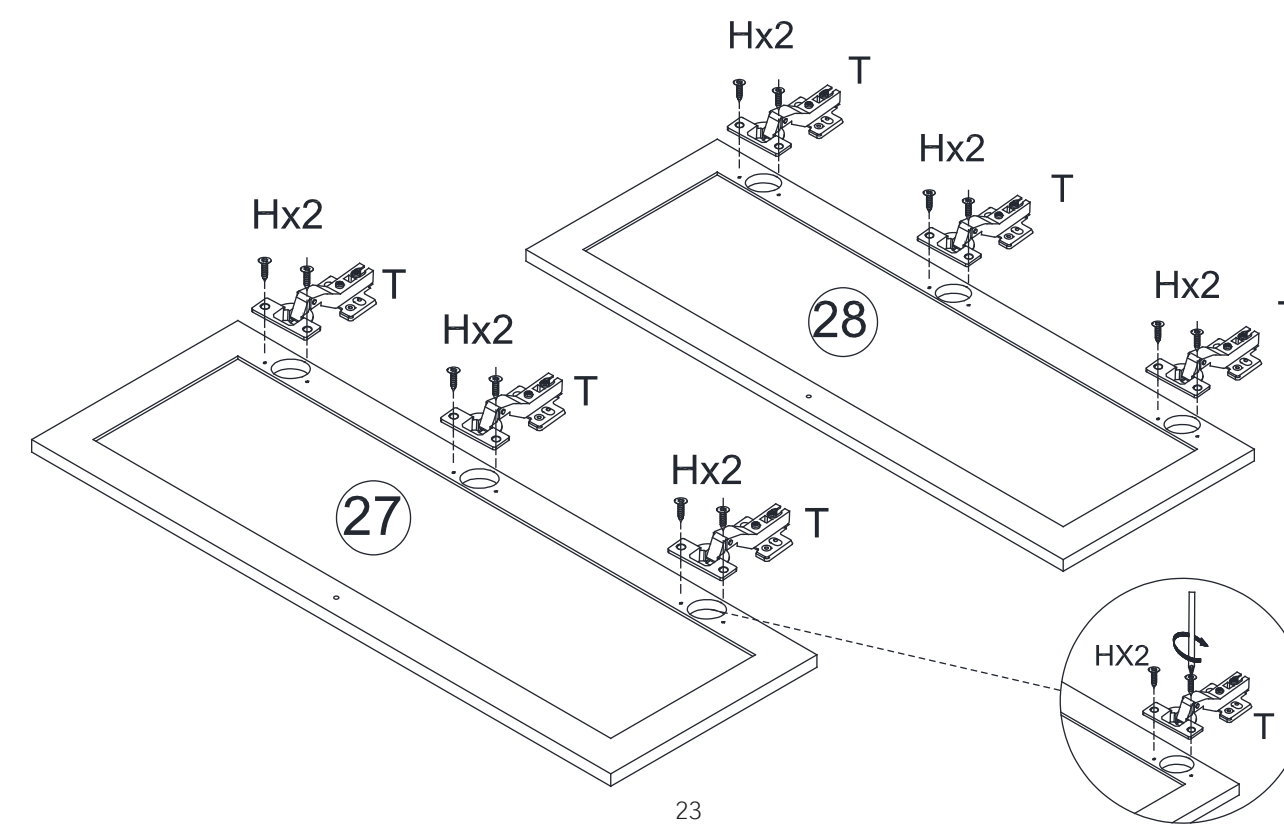
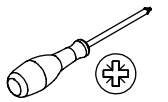
Sx6
40mm

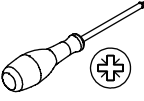






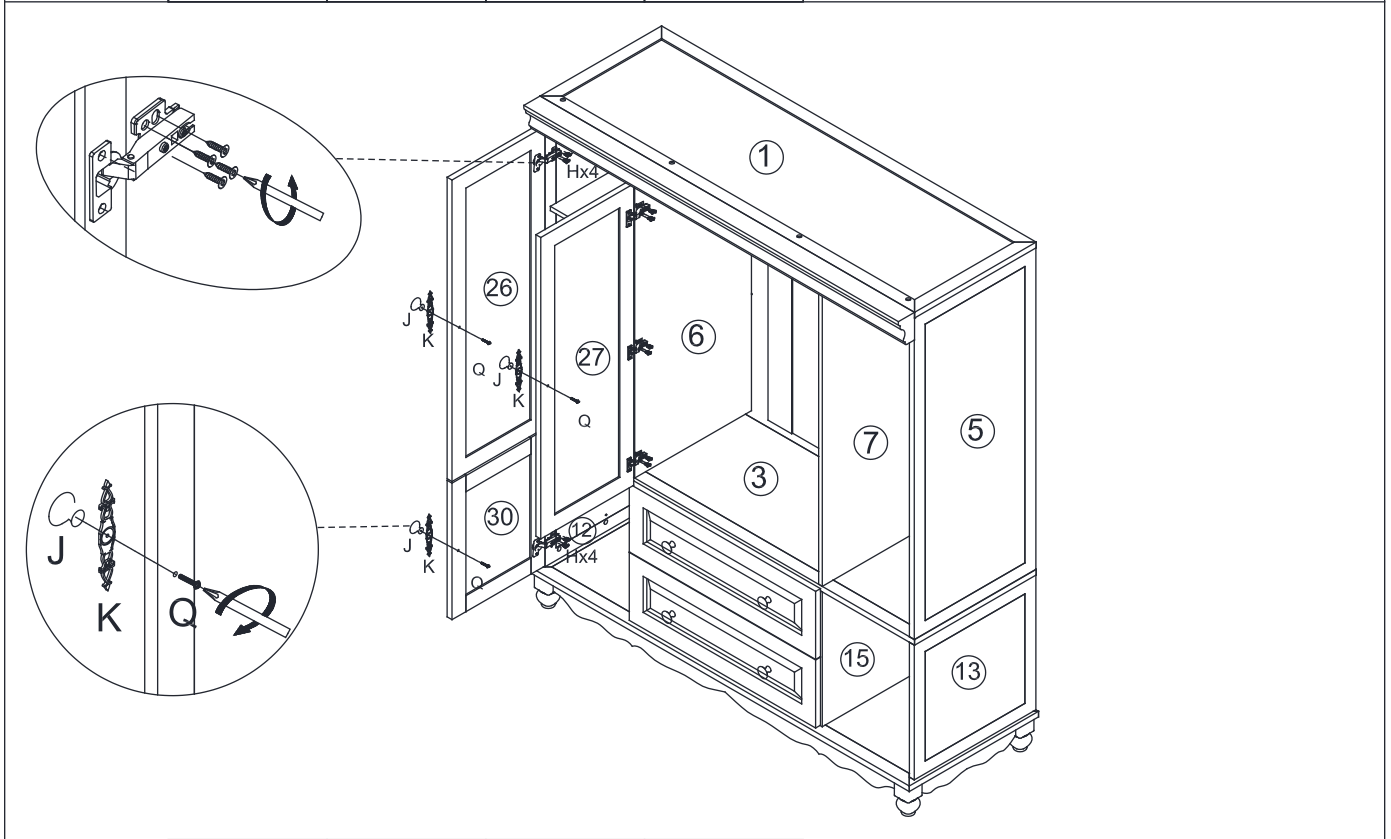
38

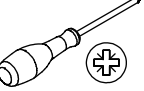




Hx12
Ø3.5x14mm

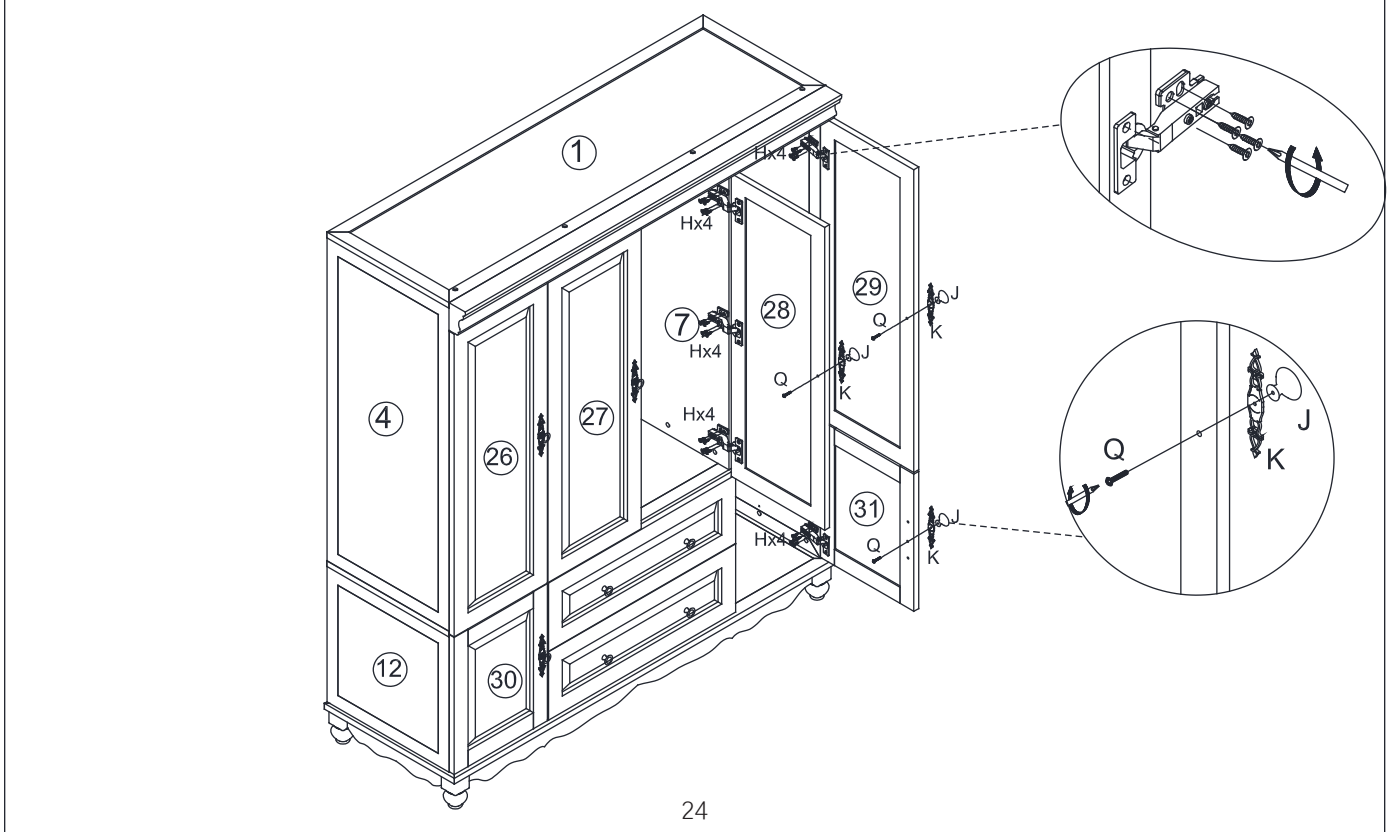
Tx6
40mm



39	Hx32	Jx3	Kx3	Qx3	
	 Ø3.5x14mm	 Ø30x25mm	 152x23mm	 Ø3.5x22mm	

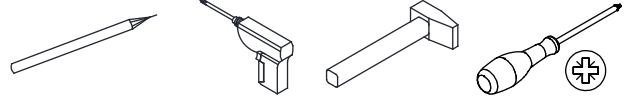


40	Hx32	Jx3	Kx3	Qx3	
	 Ø3.5x14mm	 Ø30x25mm	 152x23mm	 Ø3.5x22mm	

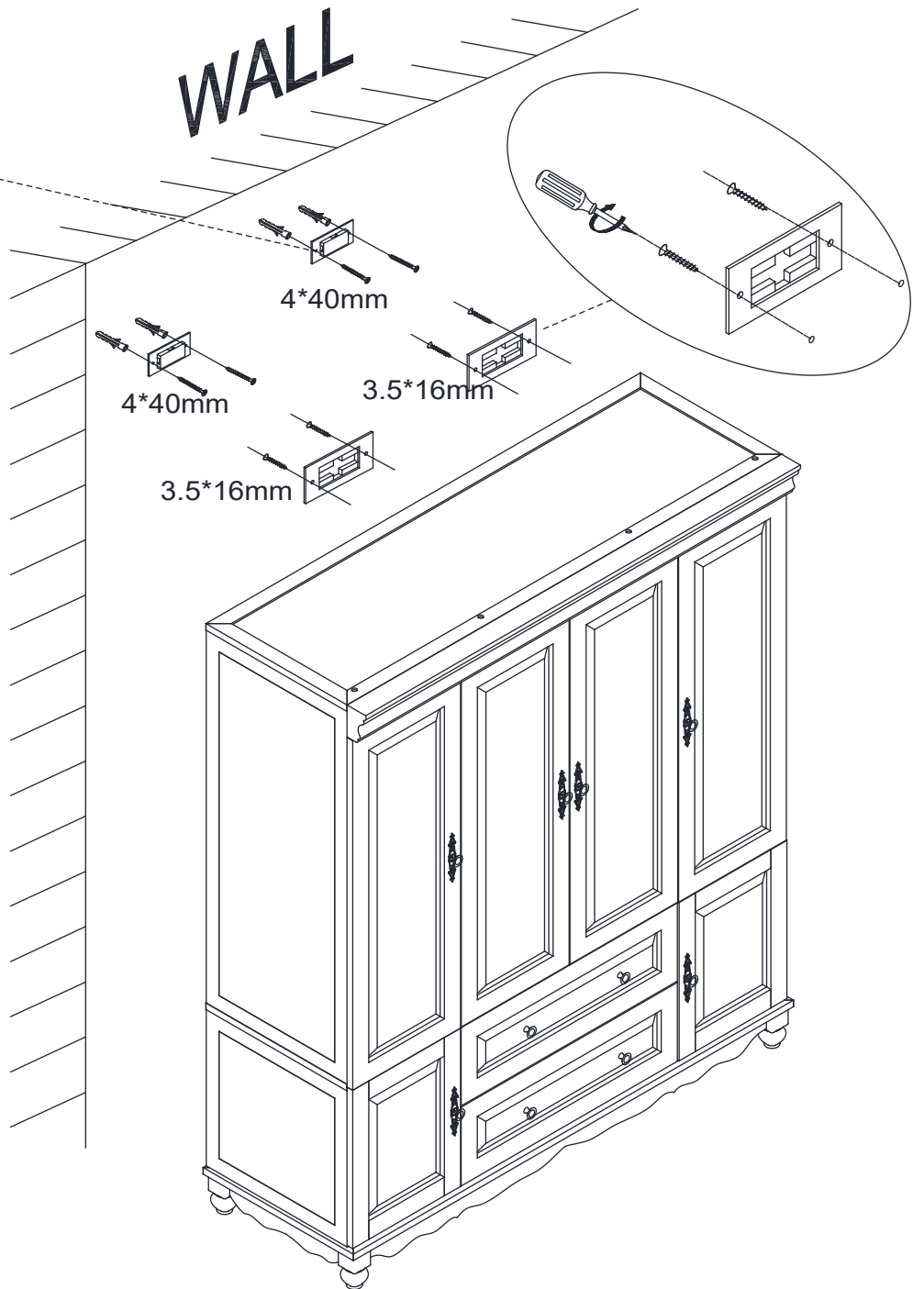
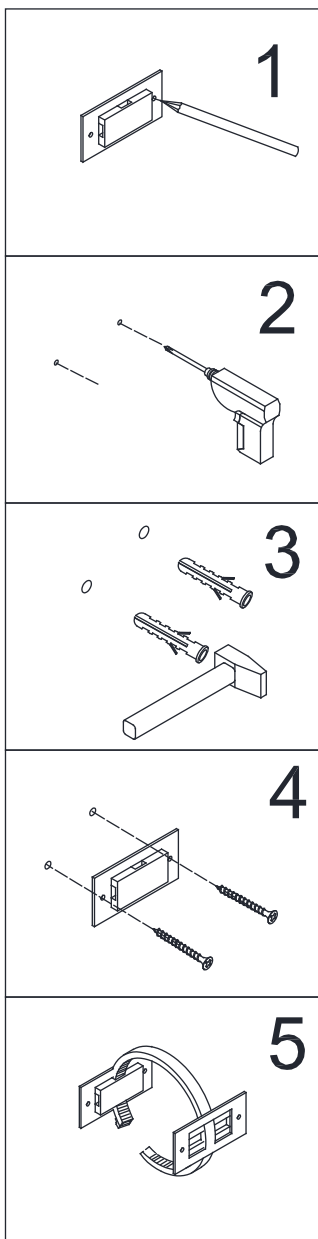


41

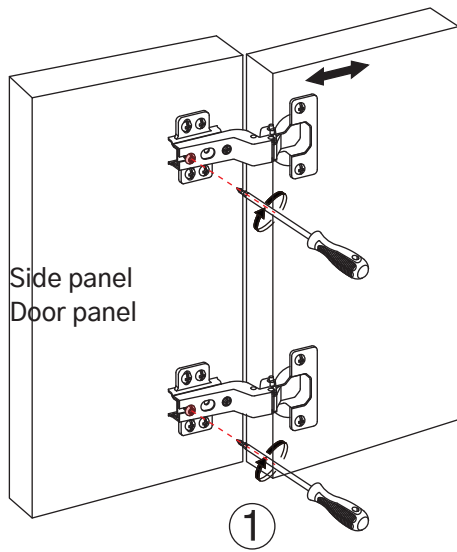
Gx2



WALL



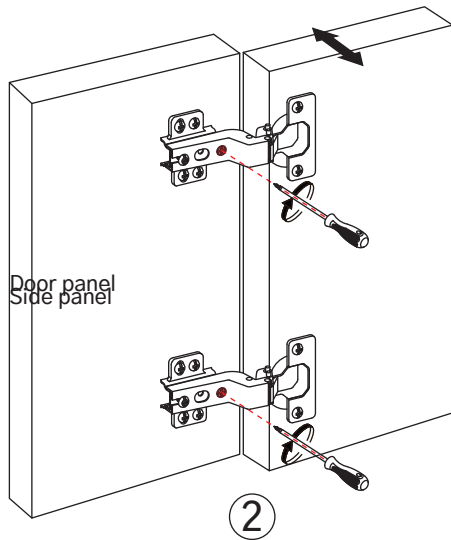
Door Panel Adjustment Instruction



Front-to-Back Direction Adjustment:

Rotate the screws on the door hinges shown in the image. The door panel can be moved front-back.

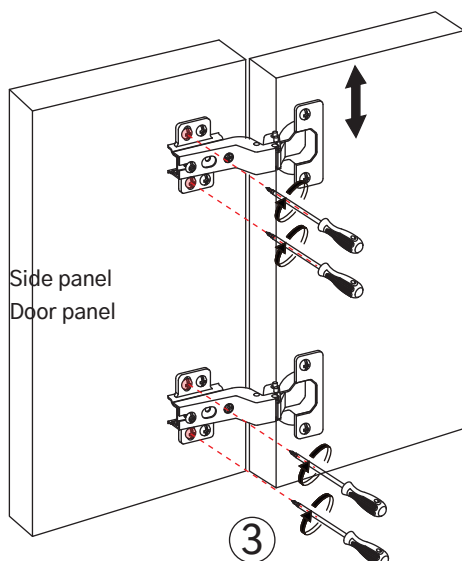
Adjustment range: 4mm



Left-Right Direction Adjustment:

Rotate the screws on the door hinges shown in the image. The door panel can be moved left-right.

Adjustment range: 3mm



Up-Down Direction Adjustment:

Rotate the screws on the door hinges shown in the image. The door panel can be moved up-down.

Adjustment range: 4mm

Door Panel Adjustment Instruction

Common Door Panel Issues:

