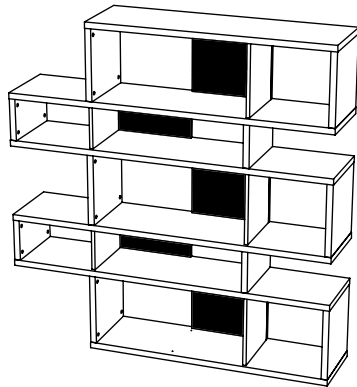
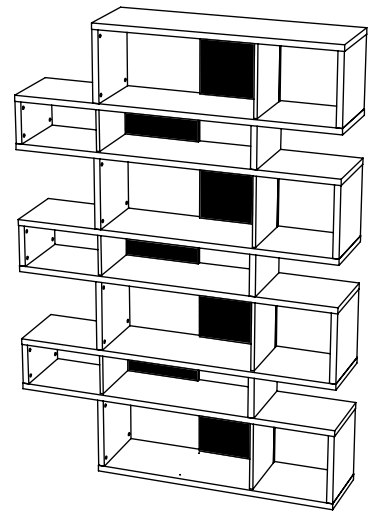


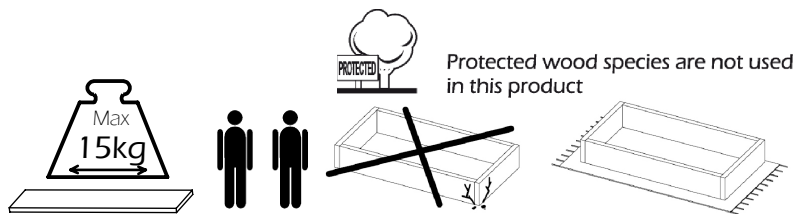
A



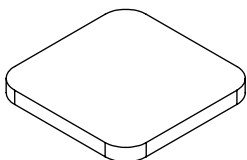
A + B



A + B+B

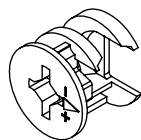


4x



0992.002

24x/16x



0512.042

24x/16x



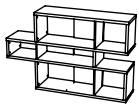
0512.041

24x/16x

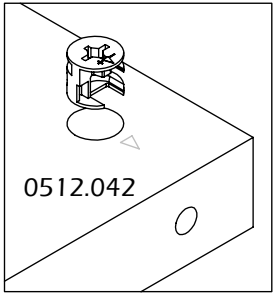
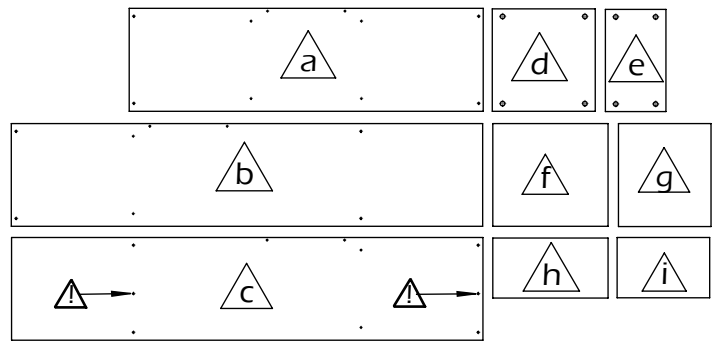


0520.165/171/172

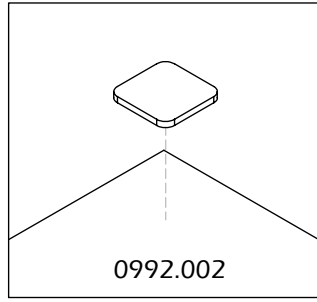
1



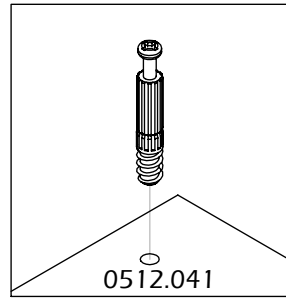
A



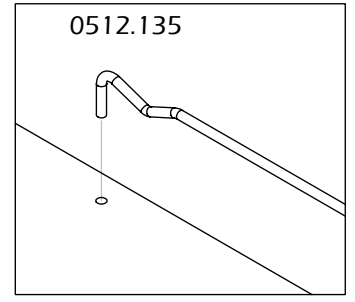
A



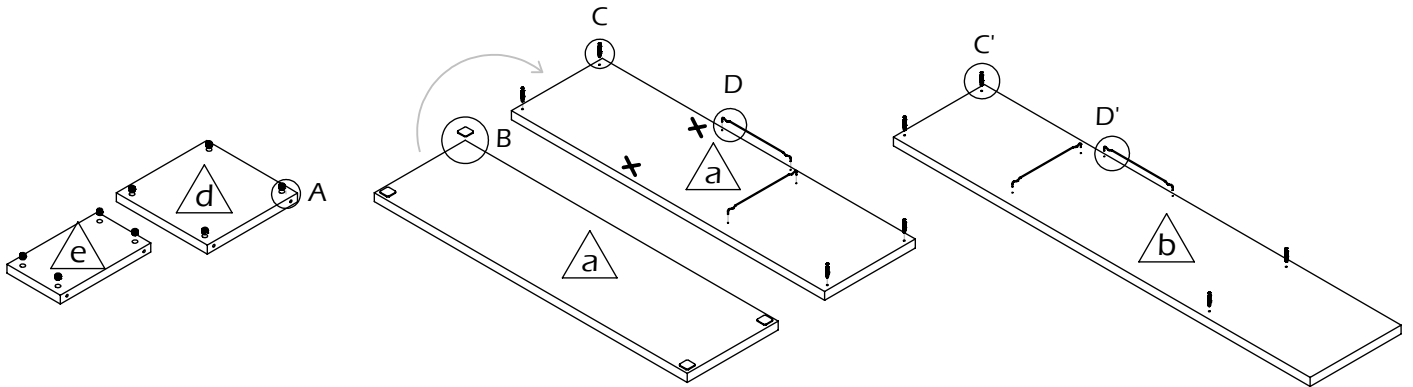
B



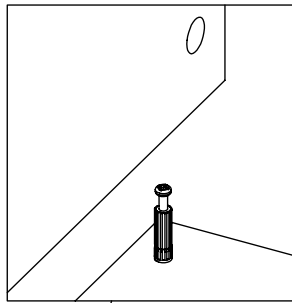
C



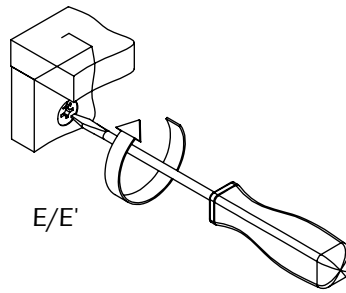
D



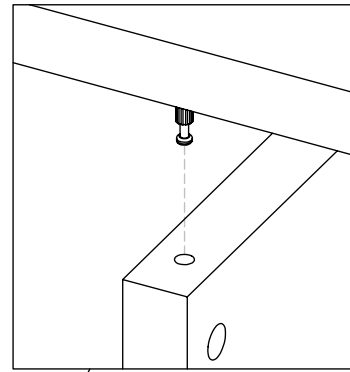
2



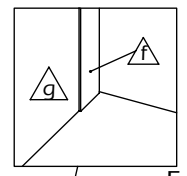
E



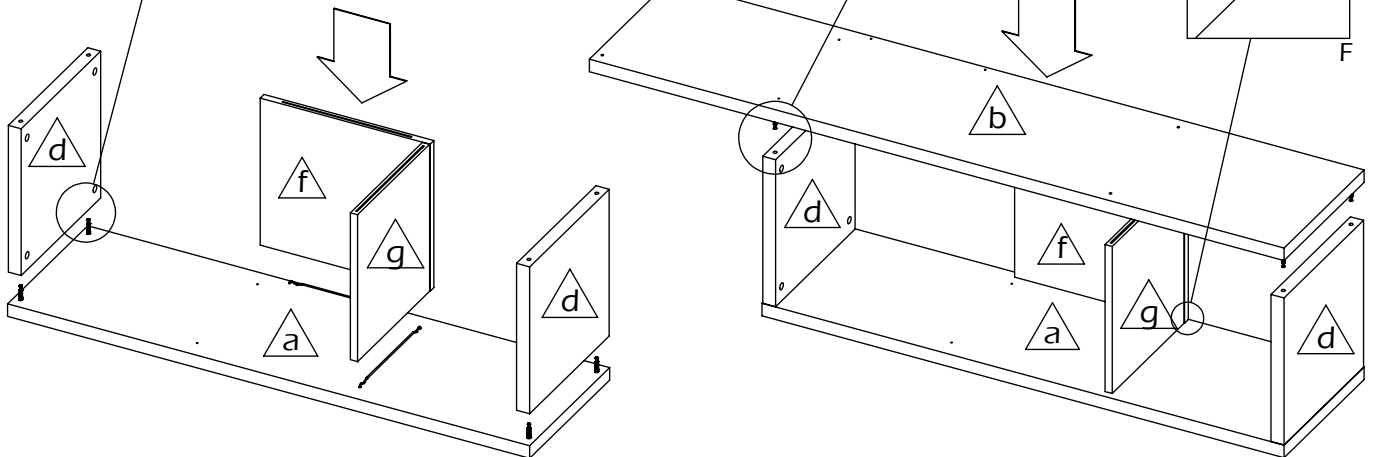
E/E'



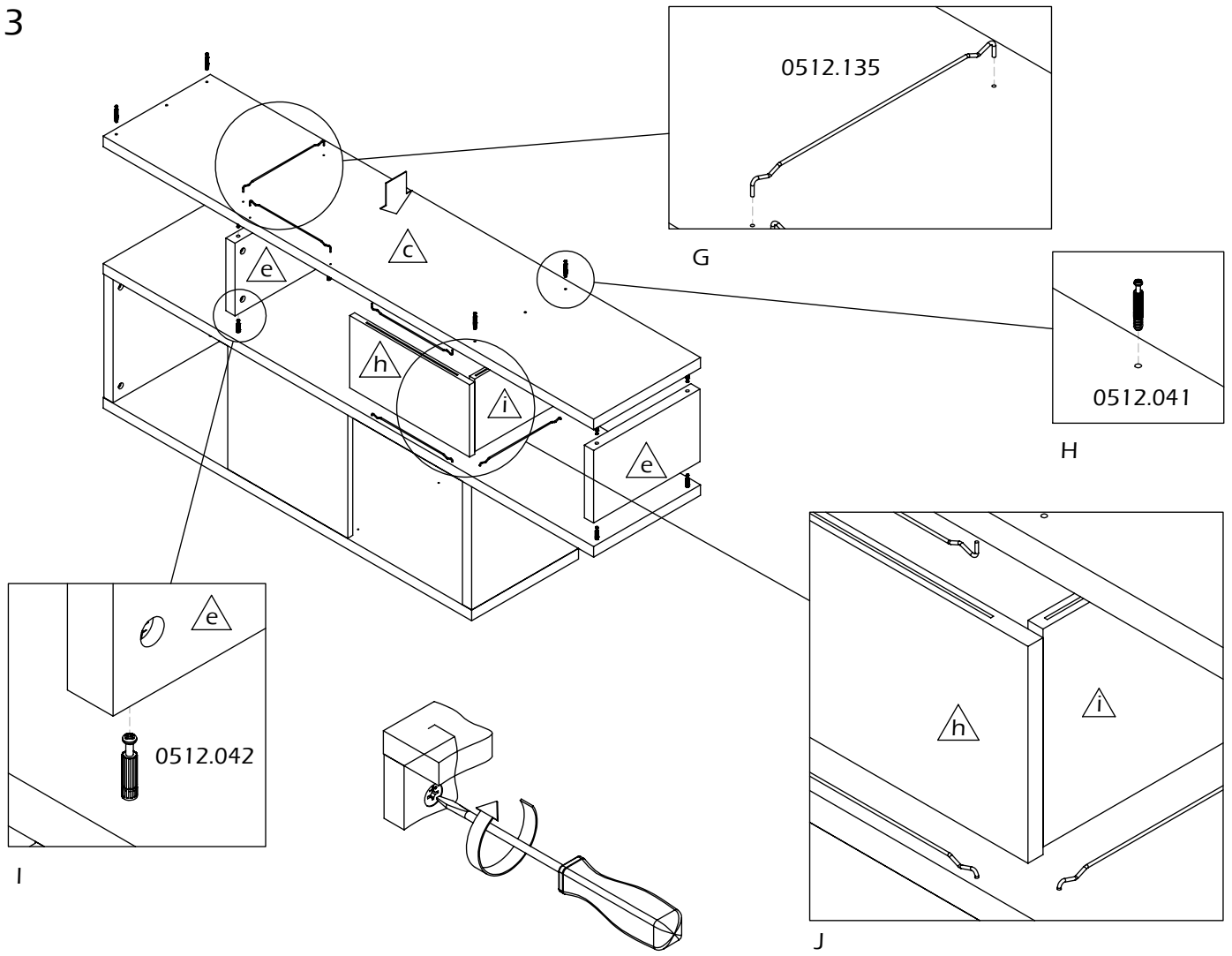
E'



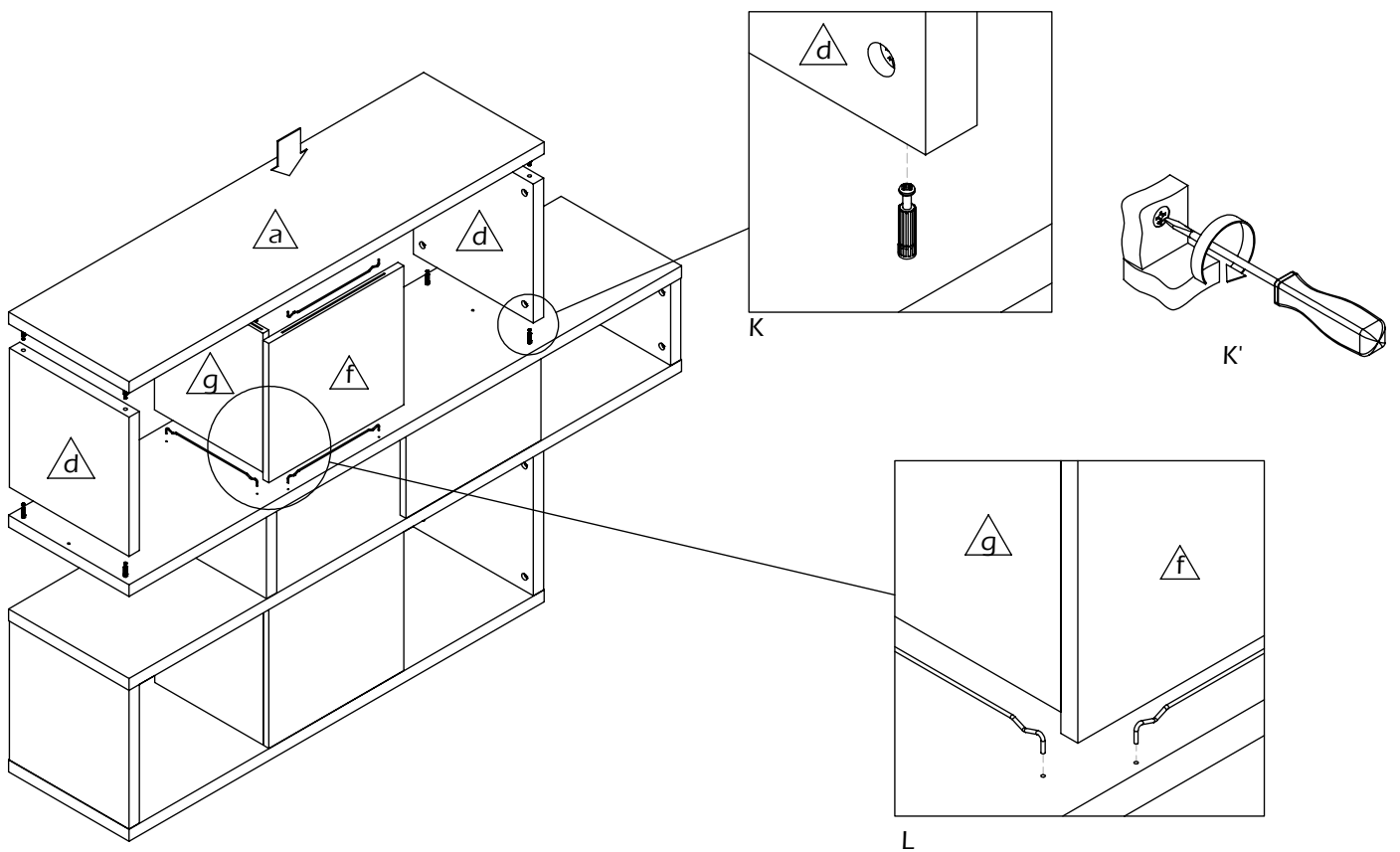
F



3



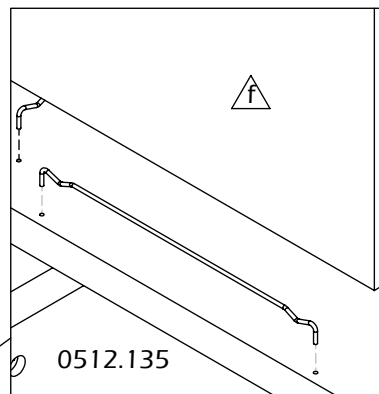
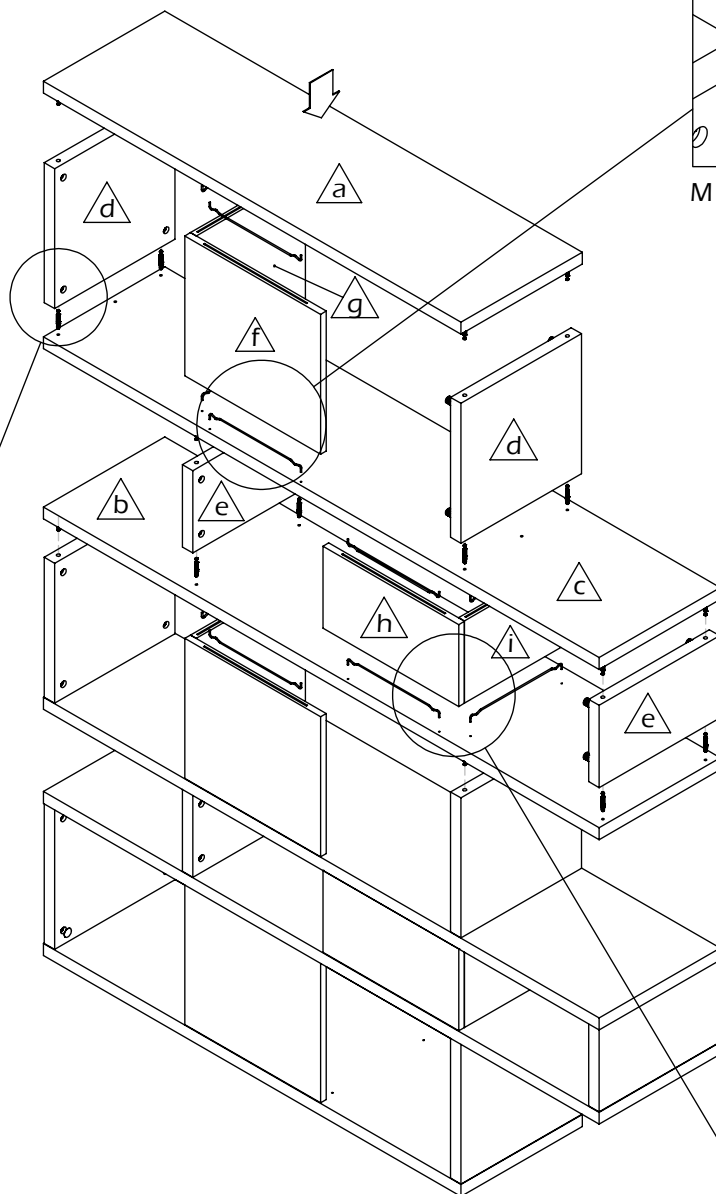
4



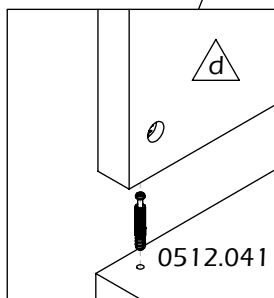
5



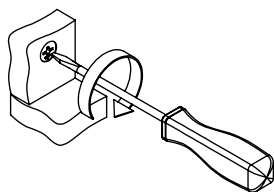
A+B



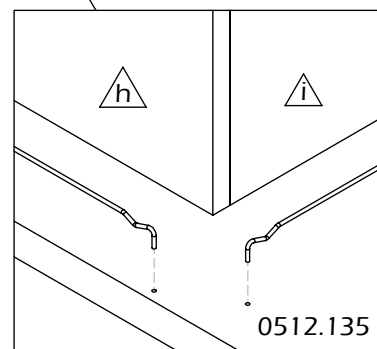
M



N

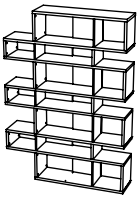


N'

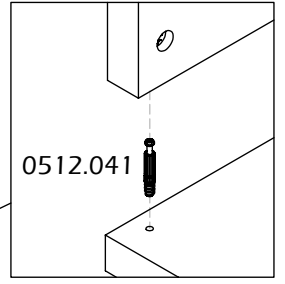


O

6

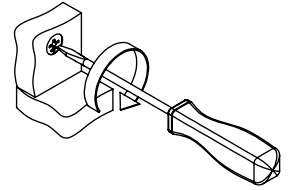
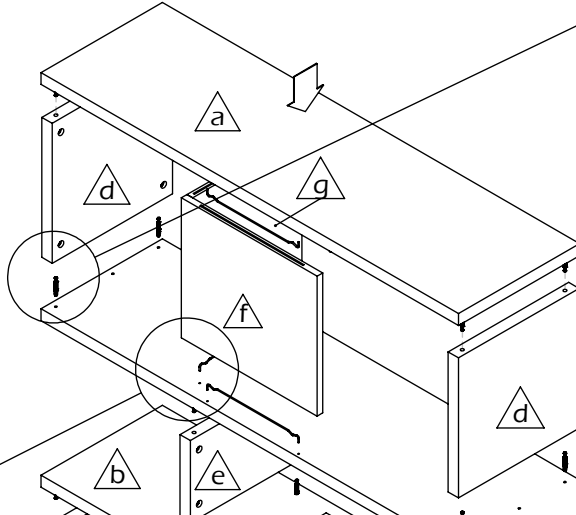


A+B+B

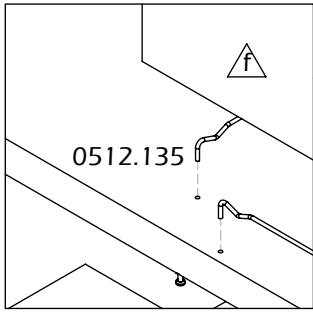


0512.041

P

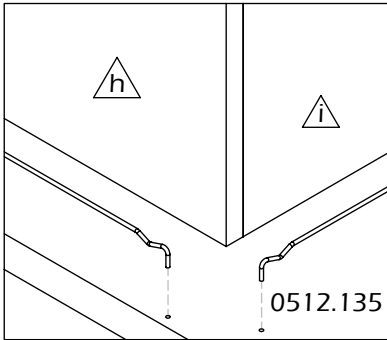
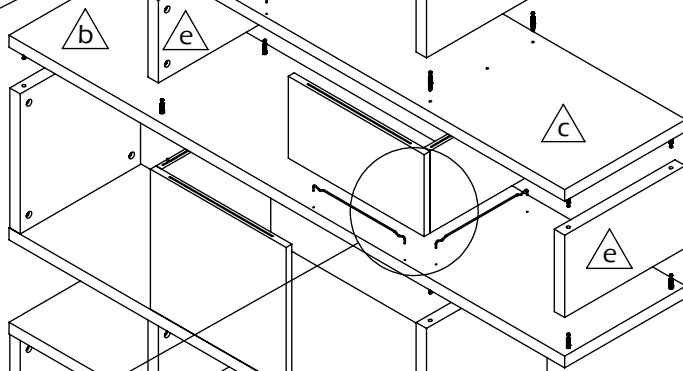


P'



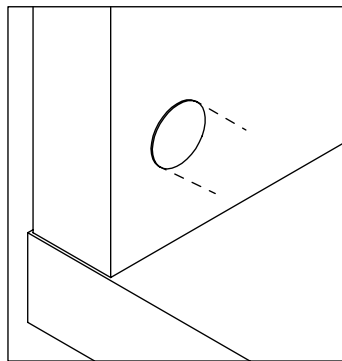
0512.135

Q

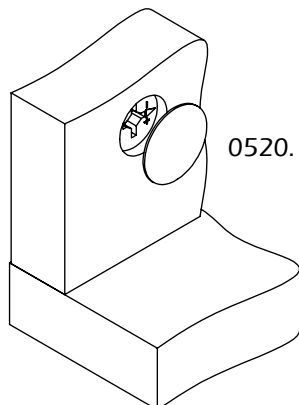


0512.135

R



S



0520.165/171/172