
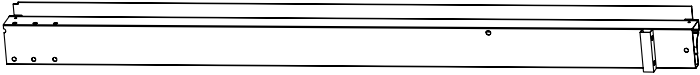

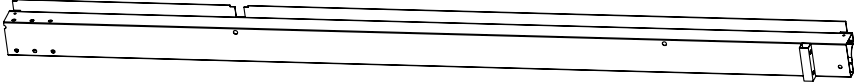
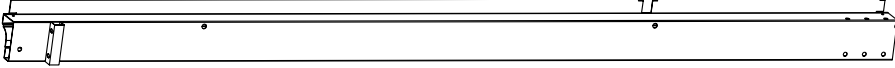
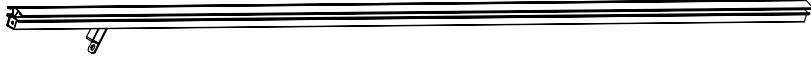


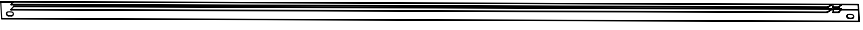
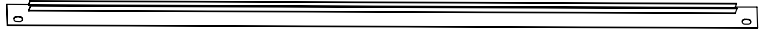

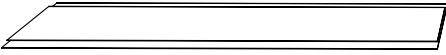
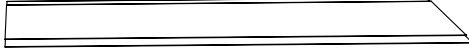
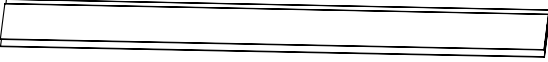
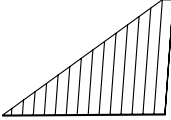
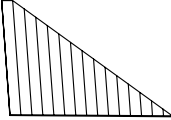
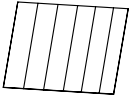
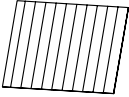
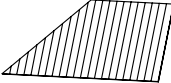
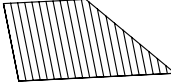
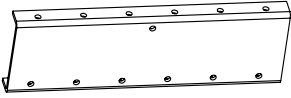



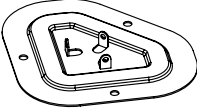
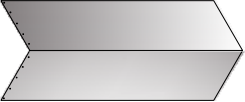


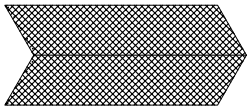



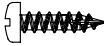
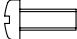
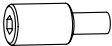
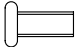

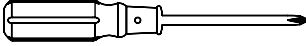

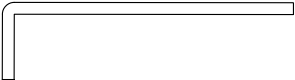
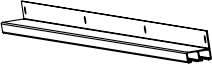

ASSEMBLY INSTRUCTION

PARTS NO	DESCRIPTION	QTY
1		4
2		2
3		2
4		2
5		2
6		4
7		6
8		4
9		4
10		2
11		12
12		4
13		4
14		2

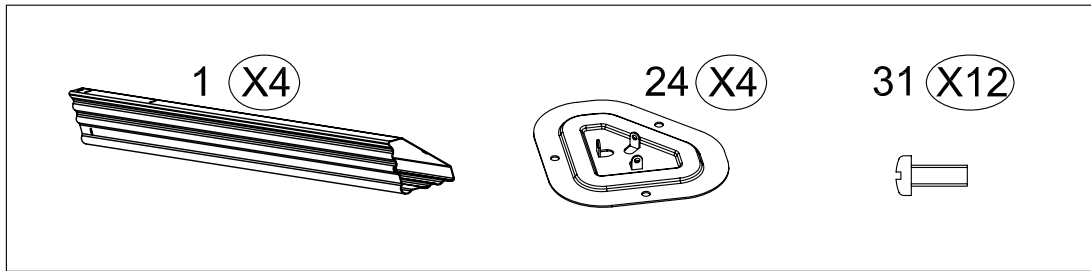
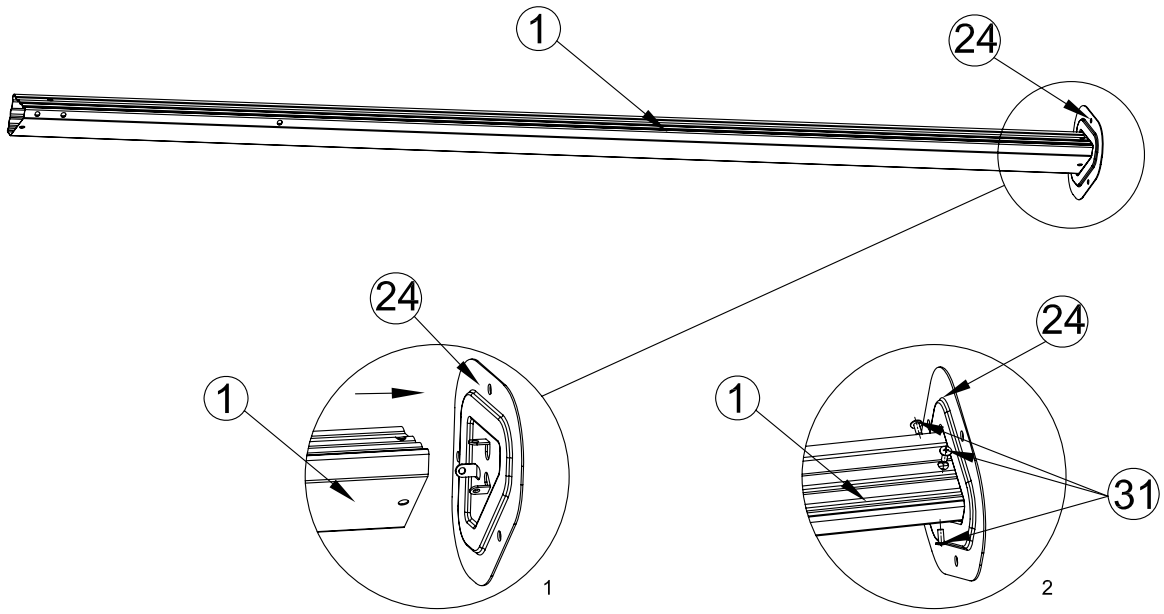
ASSEMBLY INSTRUCTION

PARTS NO	DESCRIPTION	QTY
15		4
16		4
17A		2
17		2
18		4
19		4
20		4
21		4
22		4
23		1
24		4
25		4

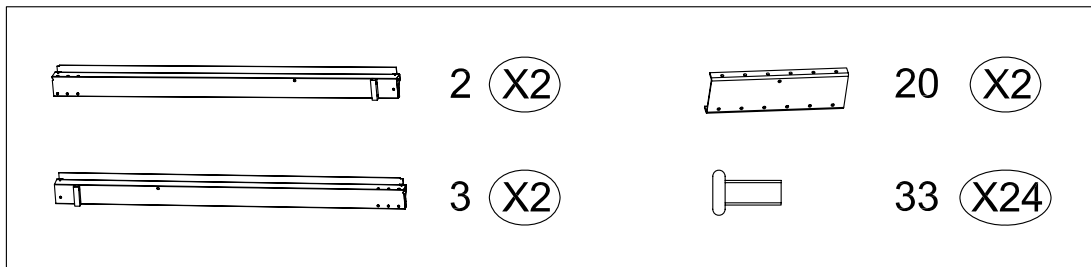
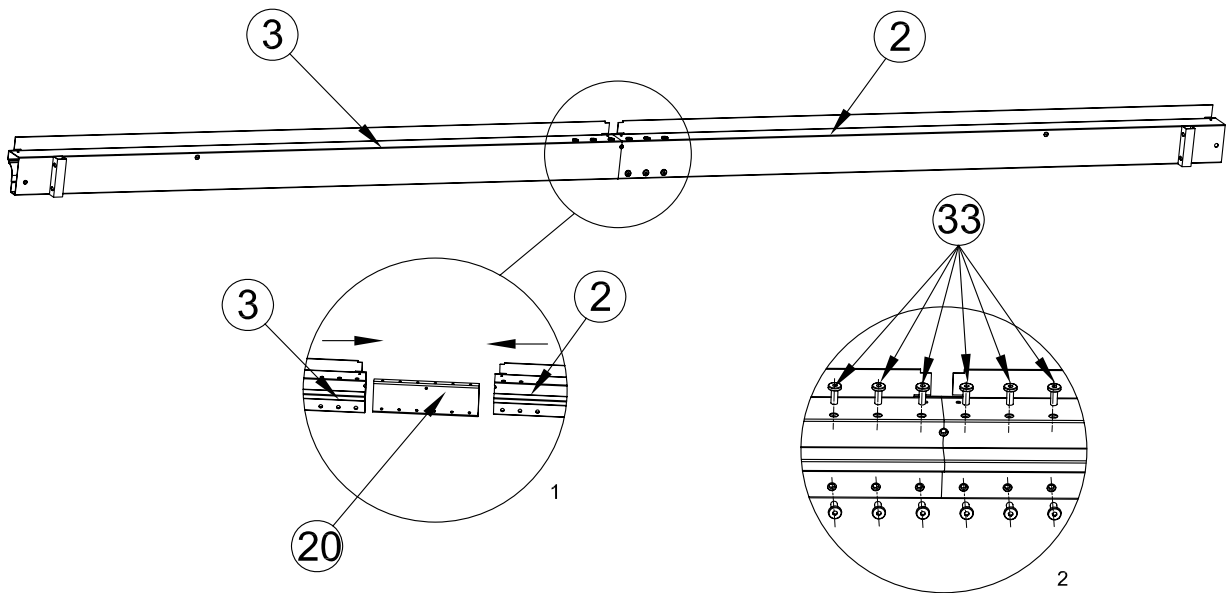
ASSEMBLY INSTRUCTION

PARTS NO	DESCRIPTION	QTY
26		4
27		6
28		4
29		128
30	 ST5 * 10 mm	32
31	 M5 * 10 mm	12
32	 M6 * 12 mm	8
33	 M6 * 15 mm	134
34	 M6 * 30 mm	16
35		1
36		2
37		12
38		4
39		4

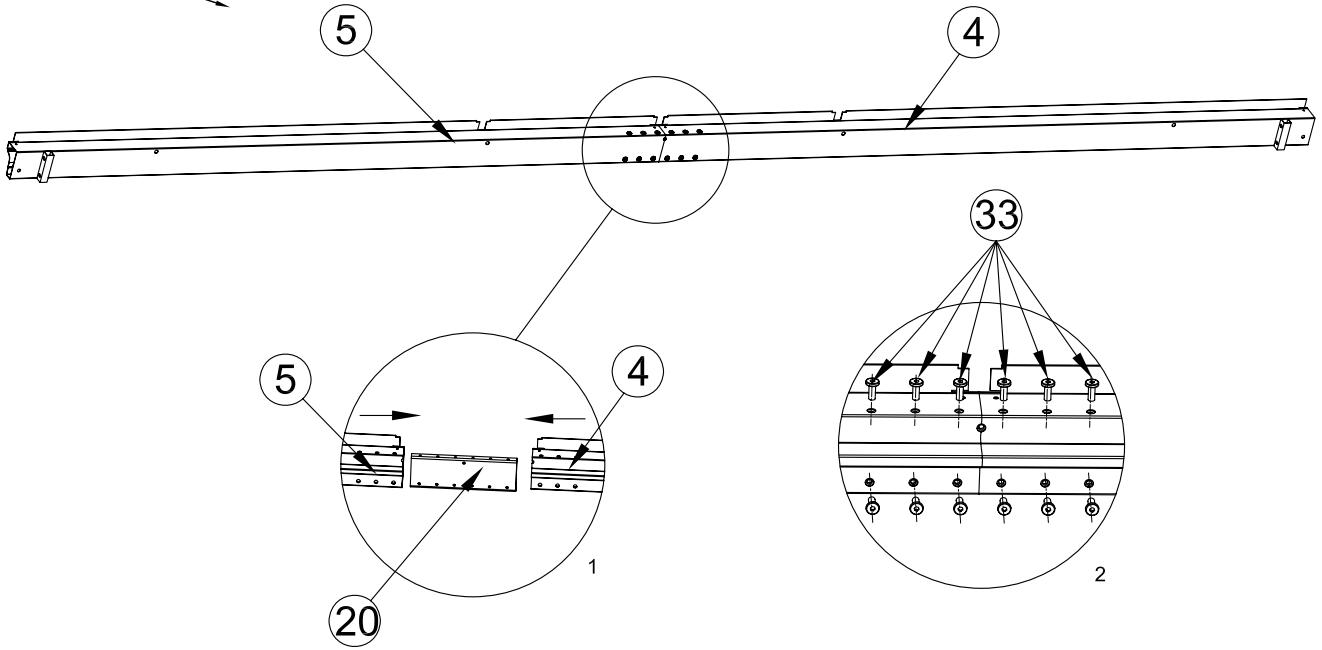
STEP 01


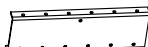
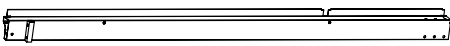
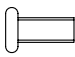


STEP 02

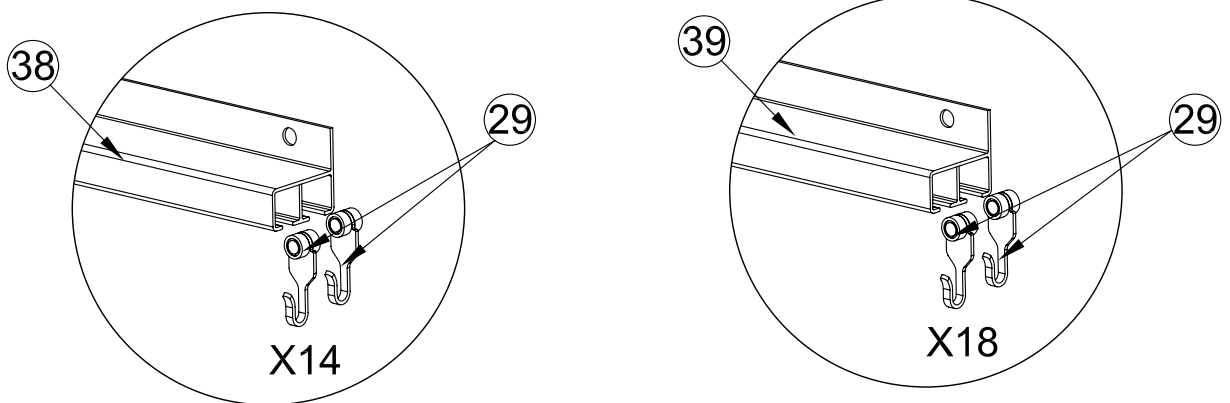


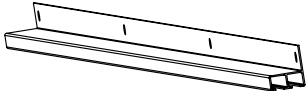

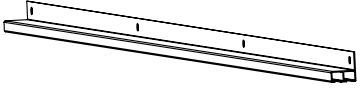
STEP 03



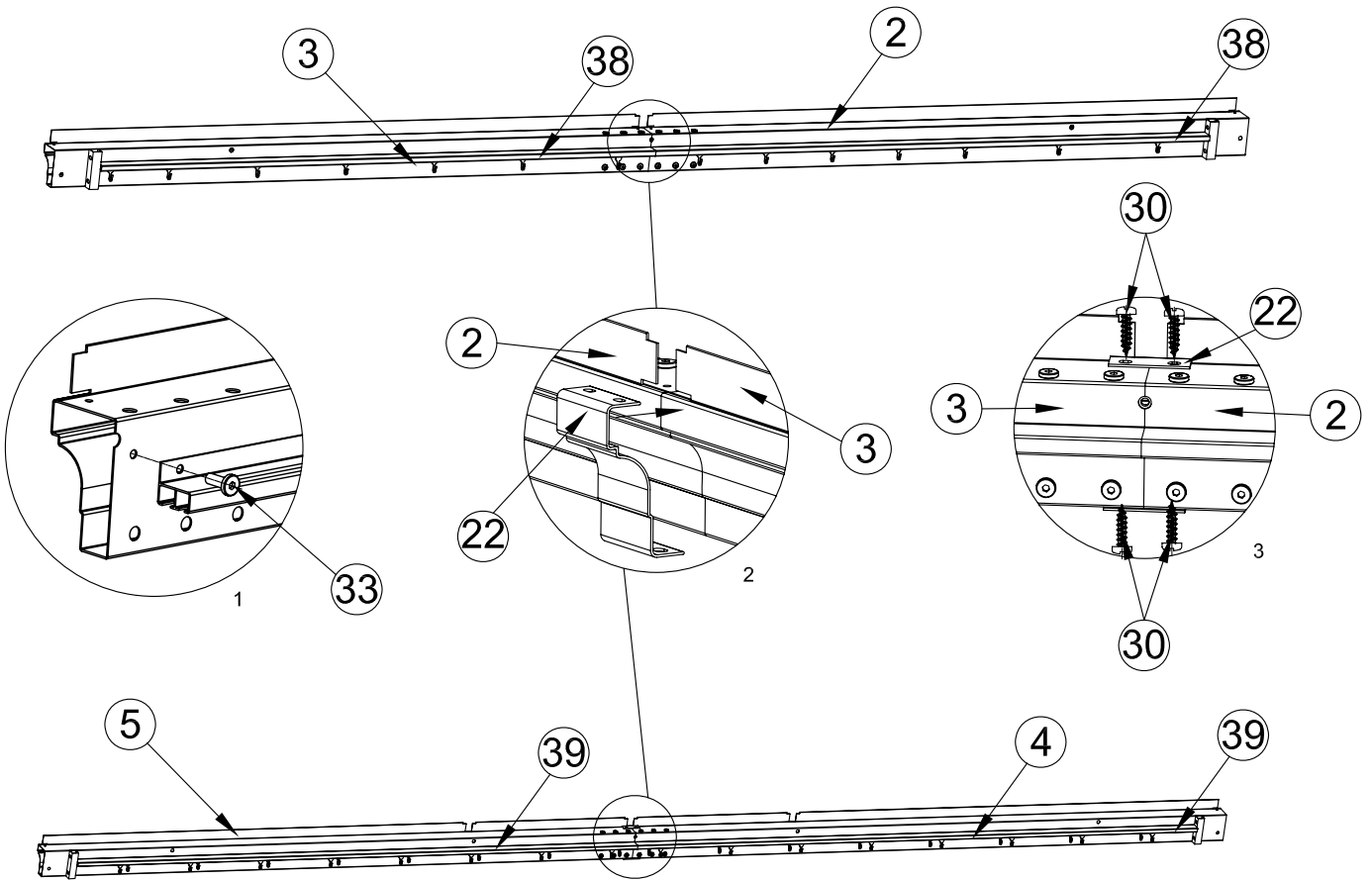
	4	X2		20	X2
	5	X2		33	X24


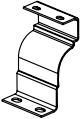
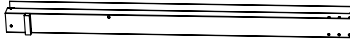
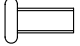


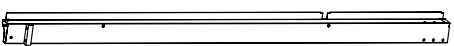


STEP 04



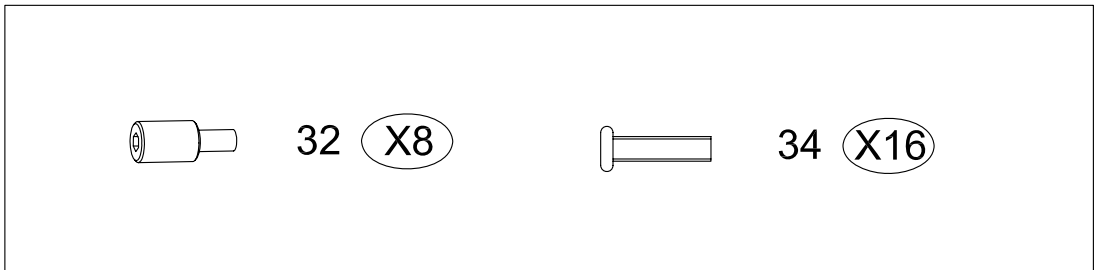
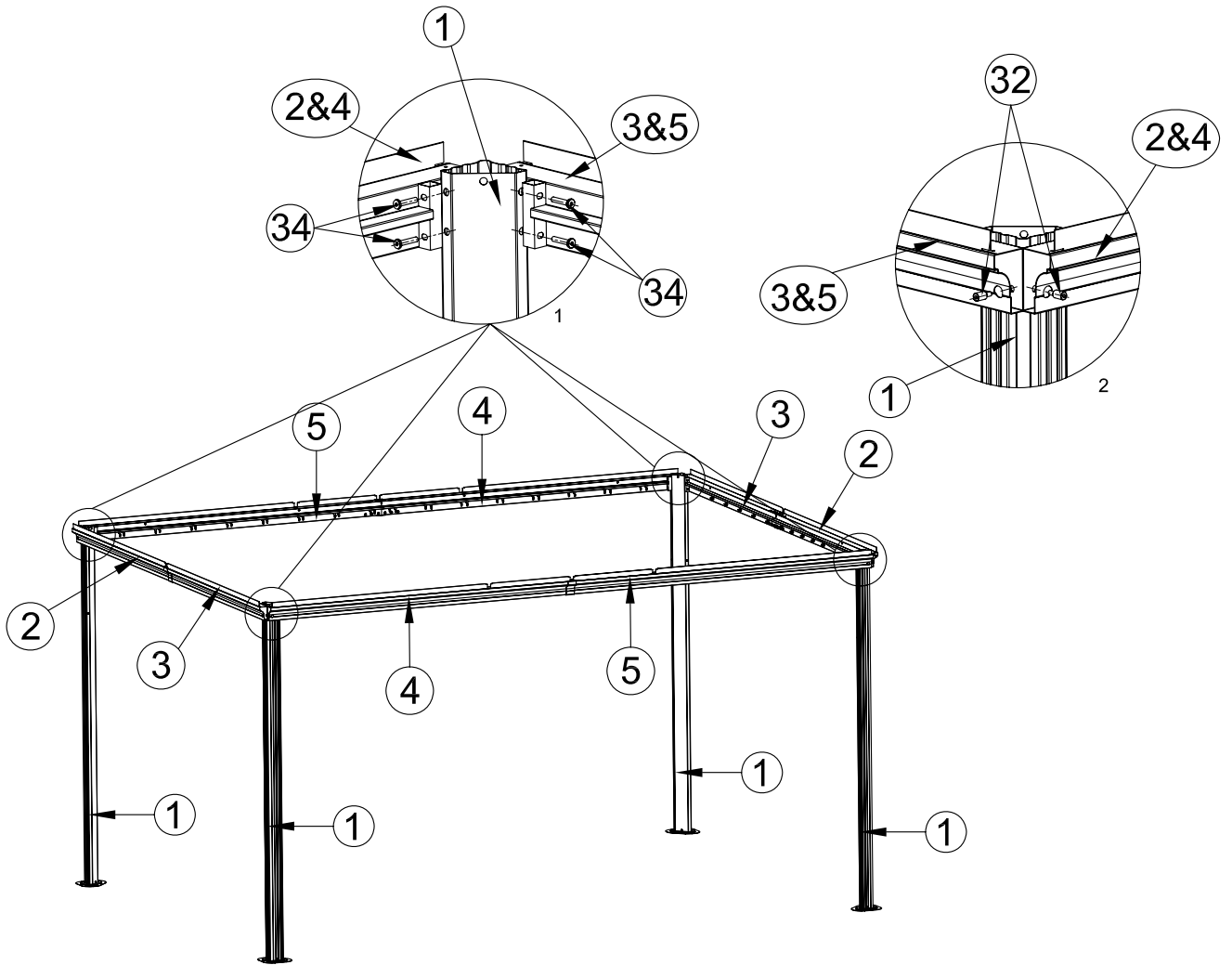
	38	X4		29	X128
	39	X4			

STEP 05

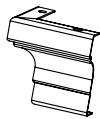
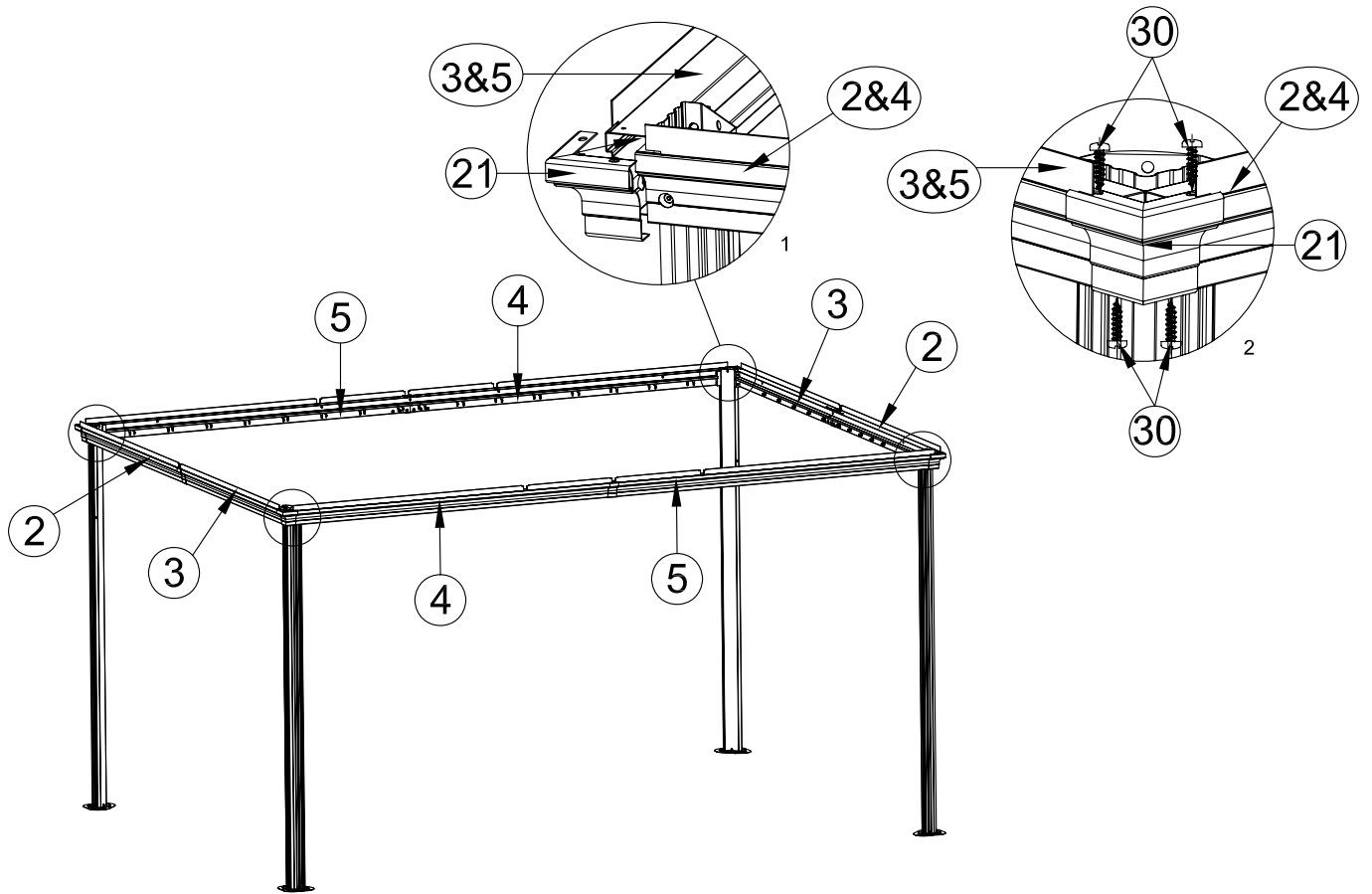


	2 (X2)		22 (X4)
	3 (X2)		33 (X32)
	4 (X2)		30 (X16)
	5 (X2)		
	38 (X4)		
	39 (X4)		

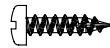
STEP 06



STEP 07

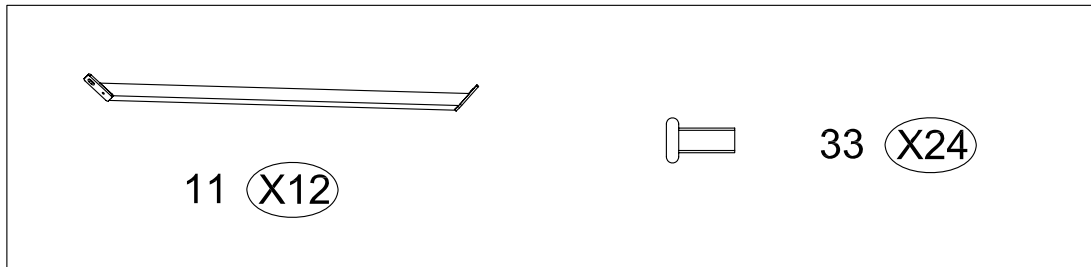
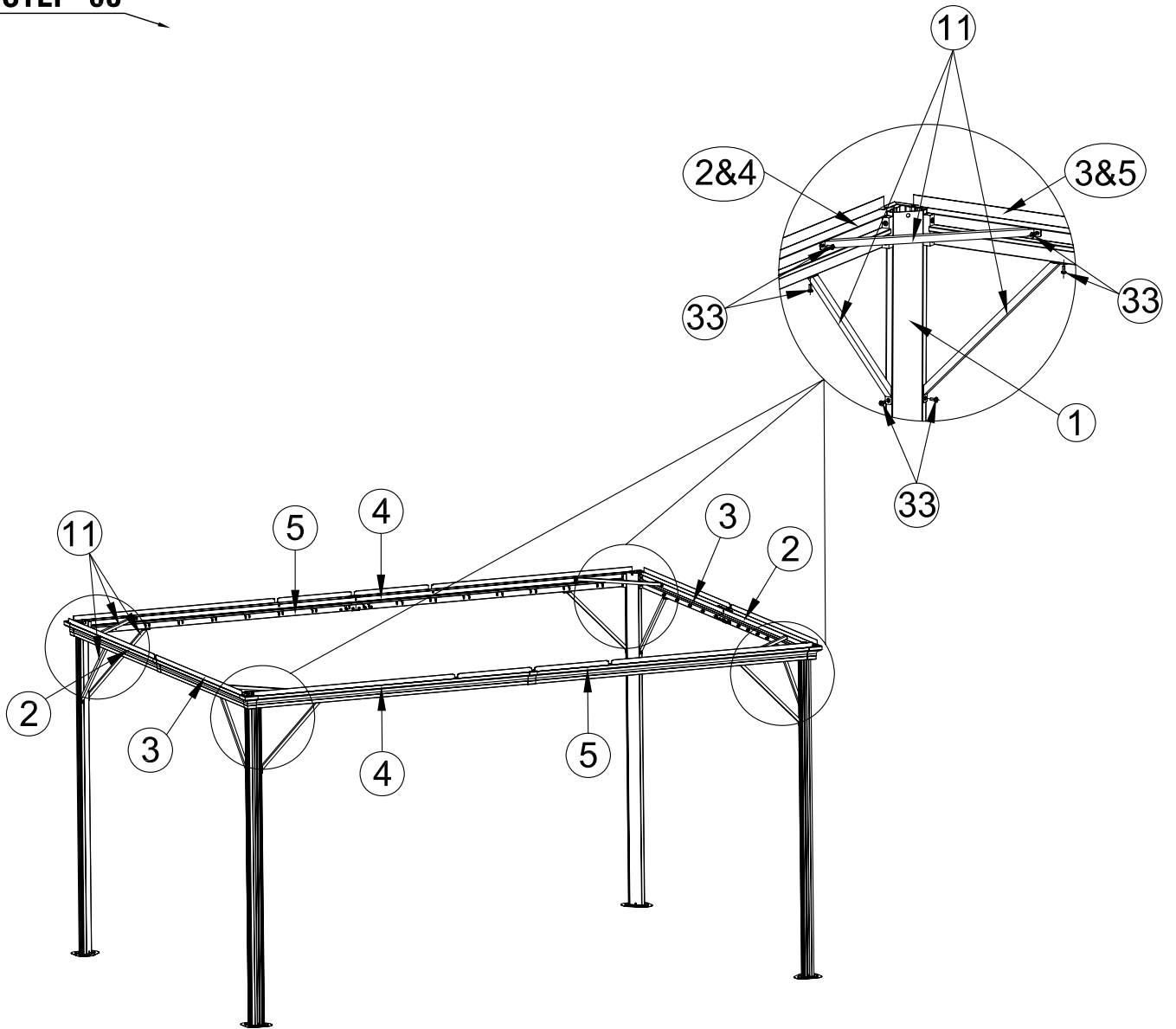


21 (X4)

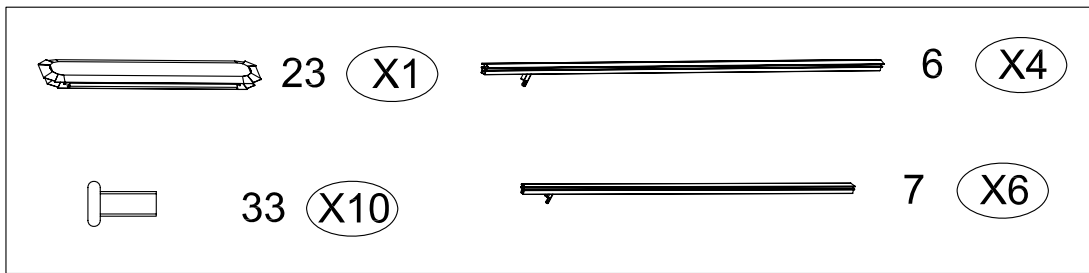
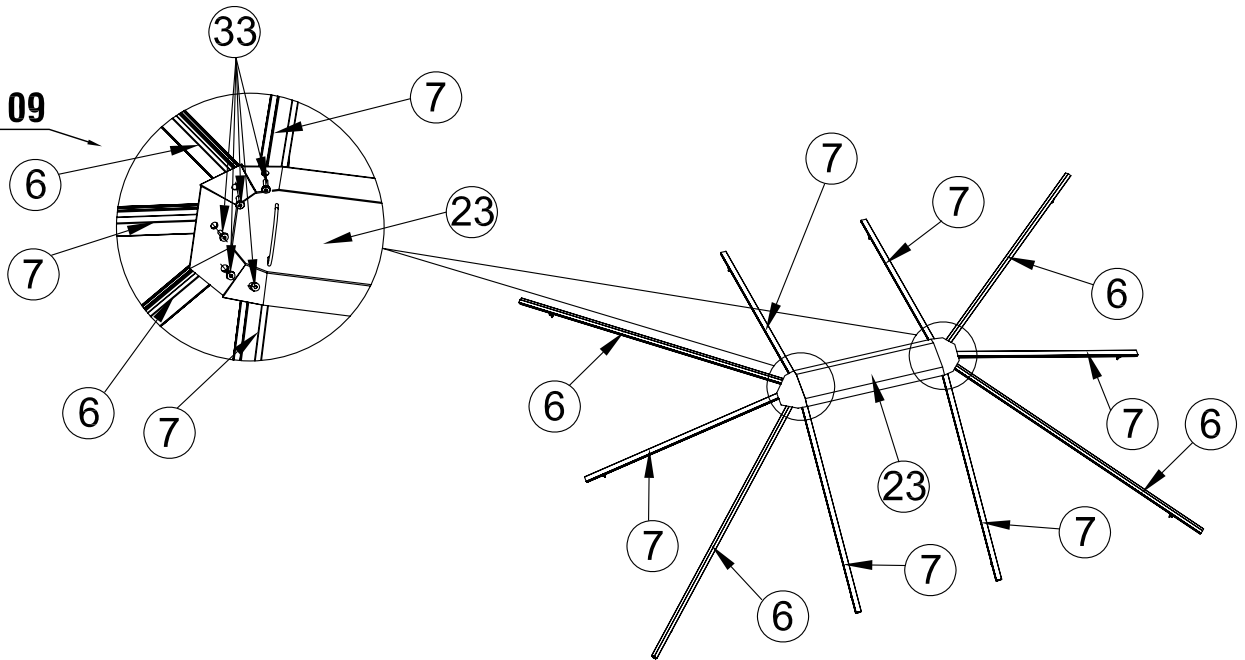


30 (X16)

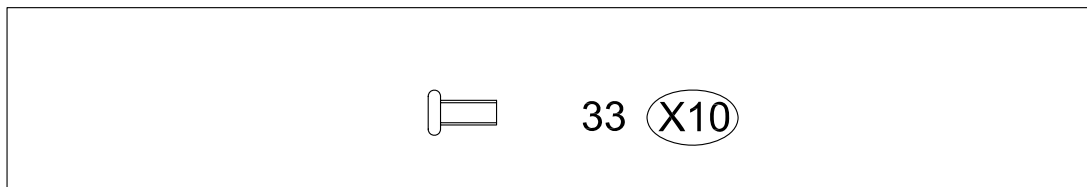
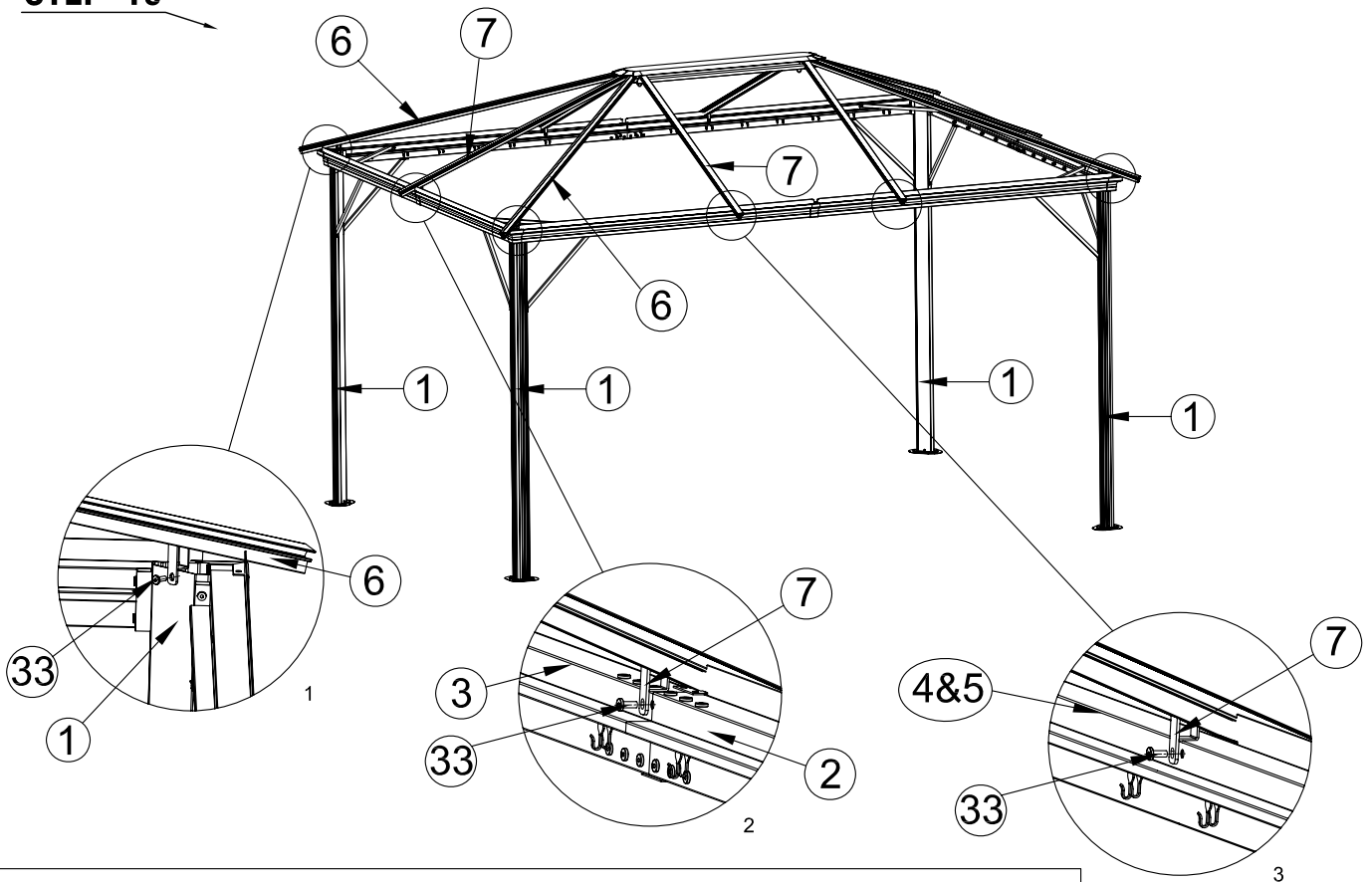
STEP 08



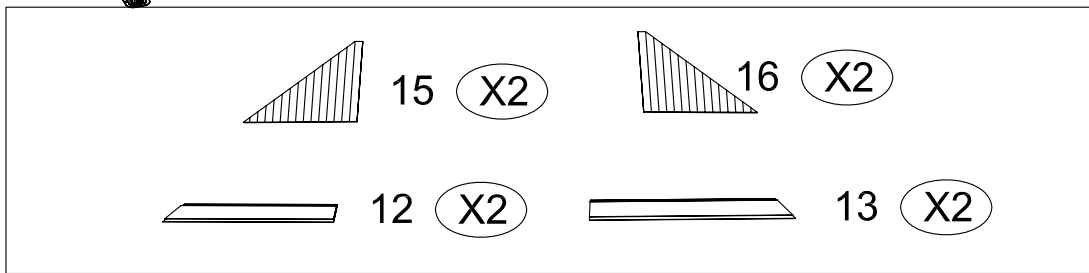
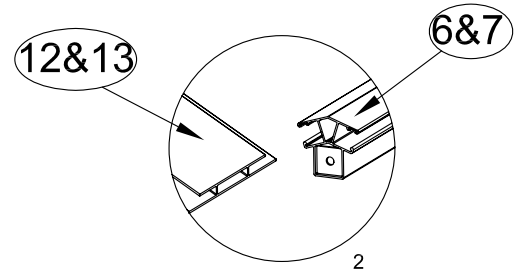
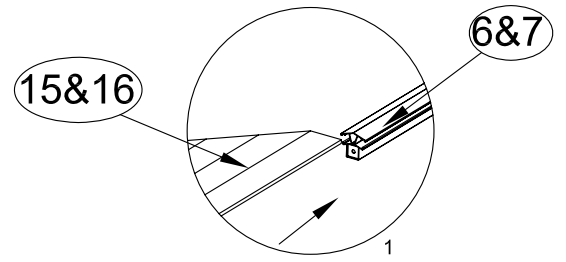
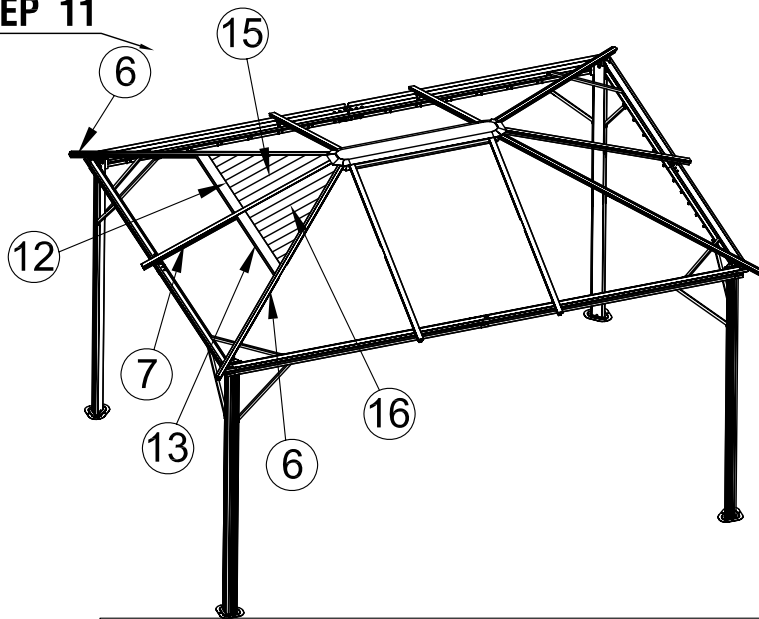
STEP 09



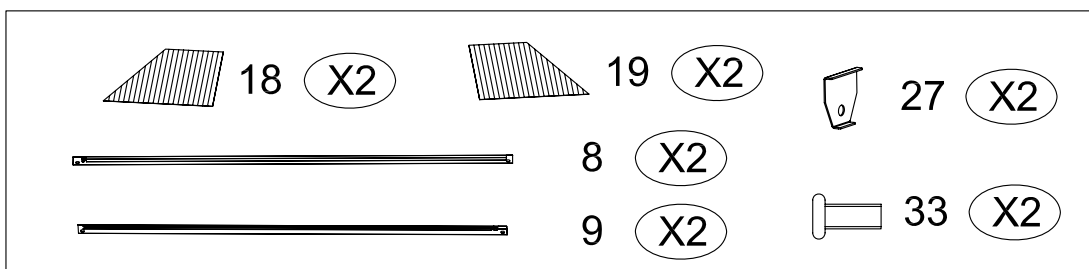
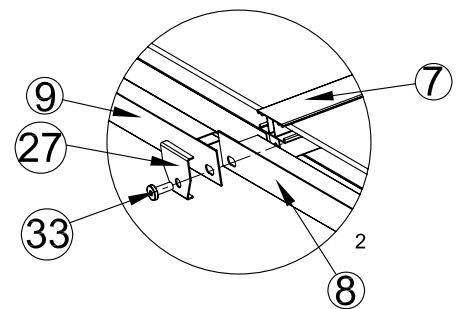
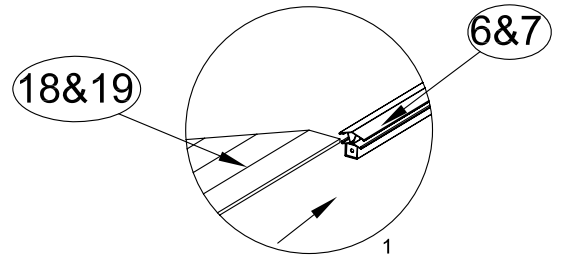
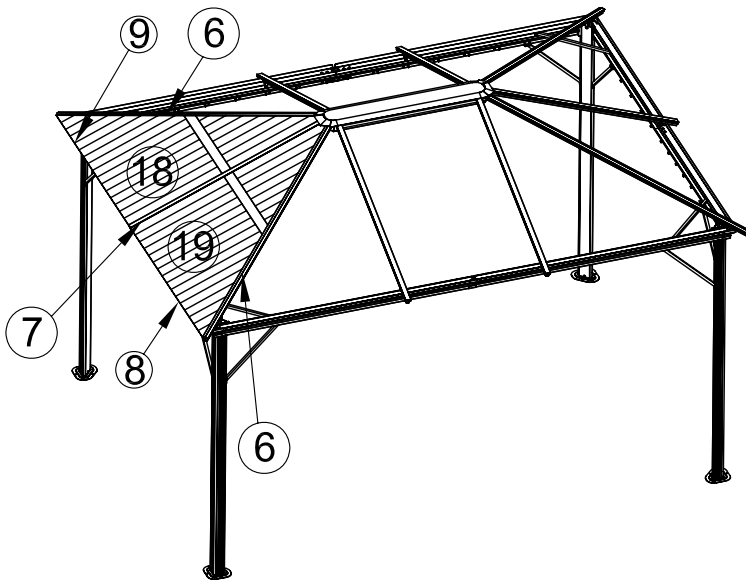
STEP 10



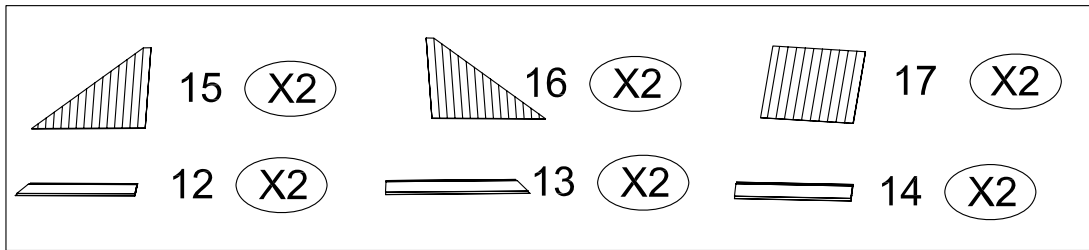
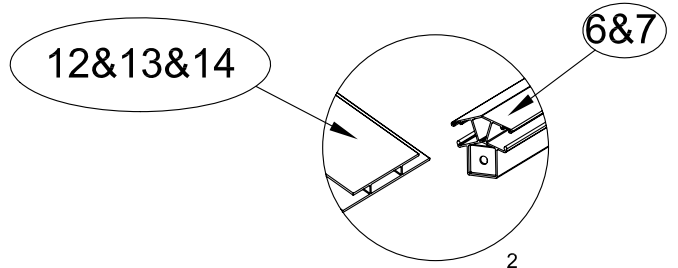
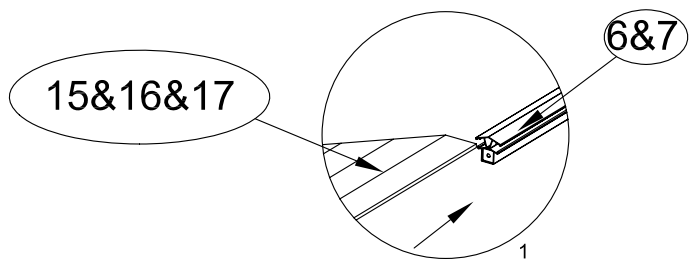
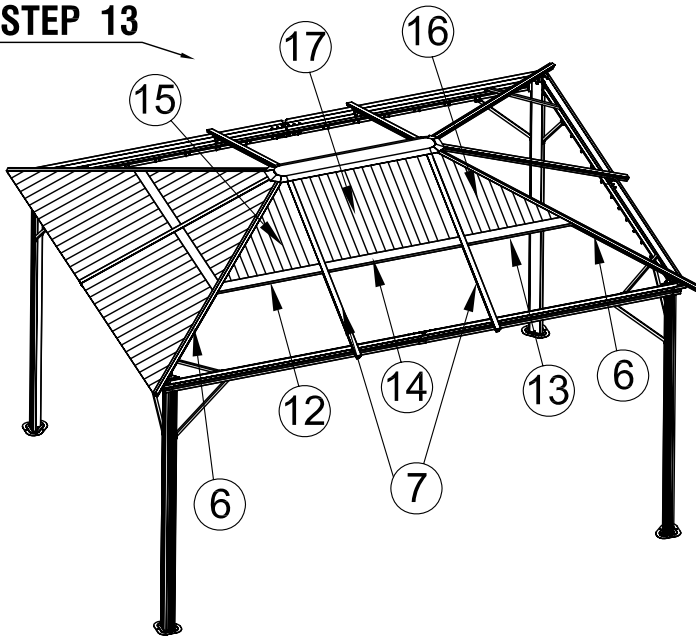
STEP 11



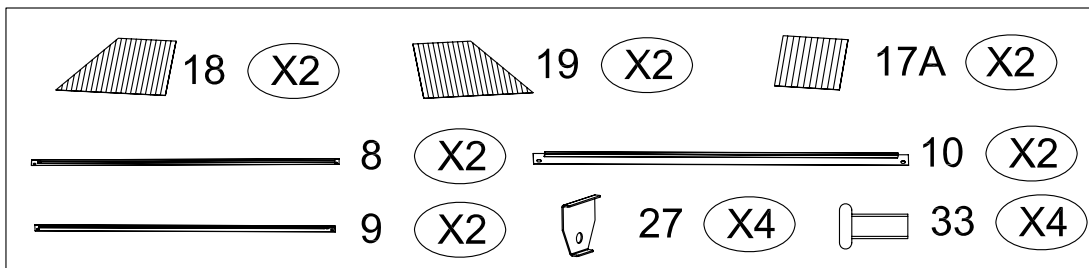
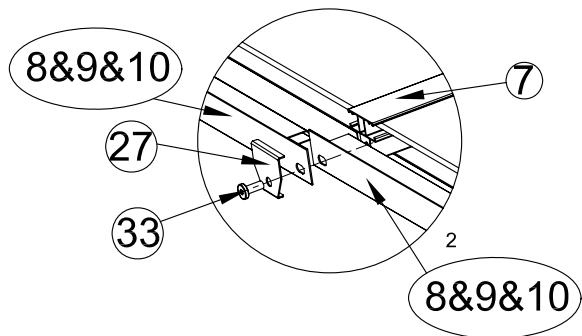
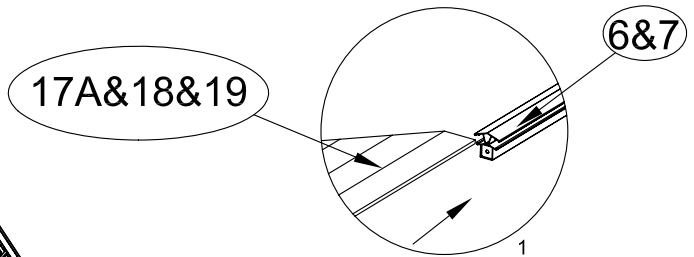
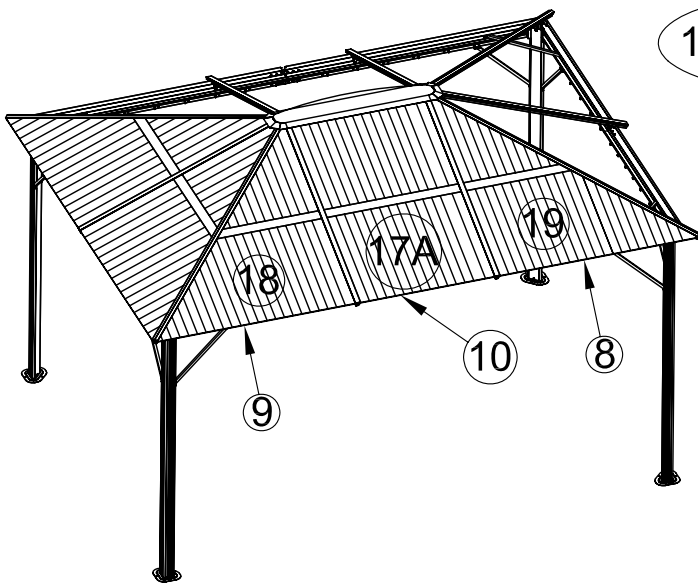
STEP 12



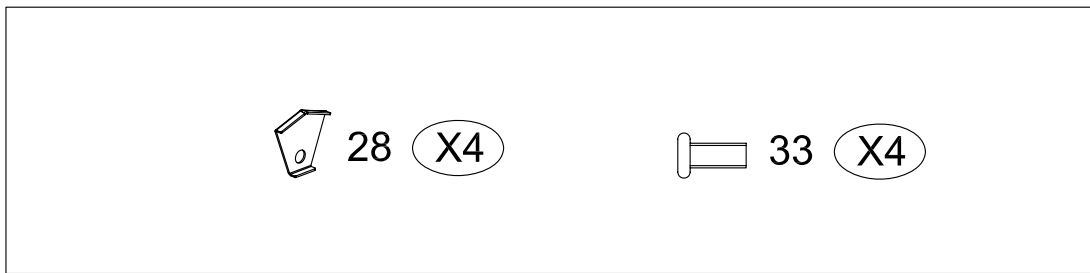
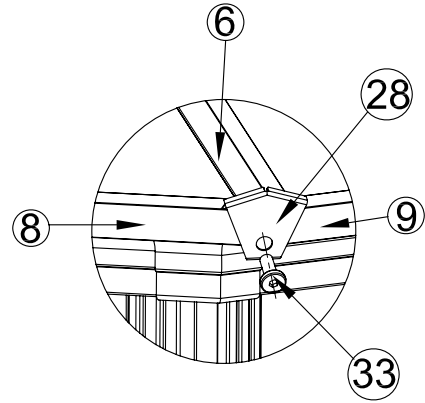
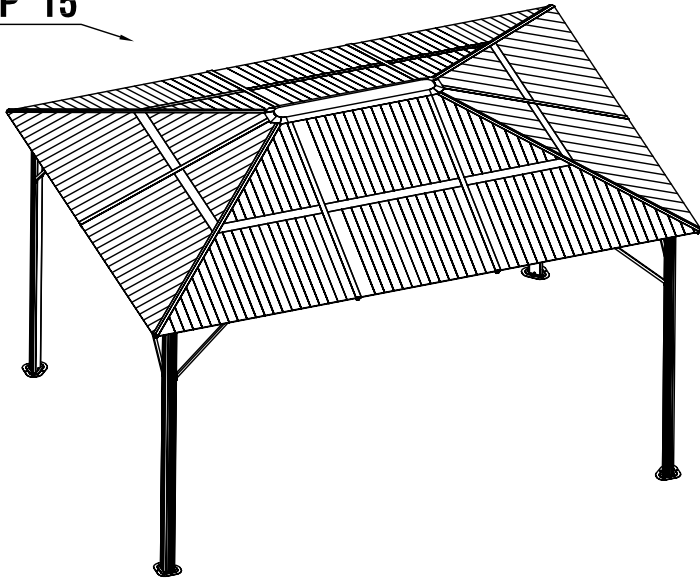
STEP 13



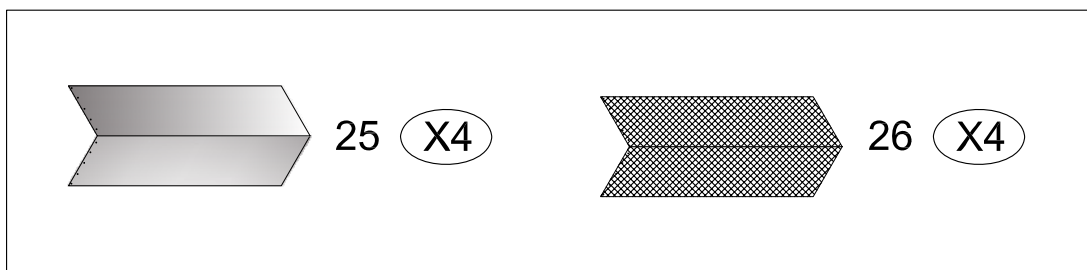
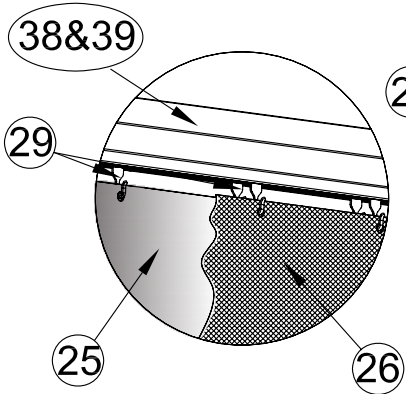
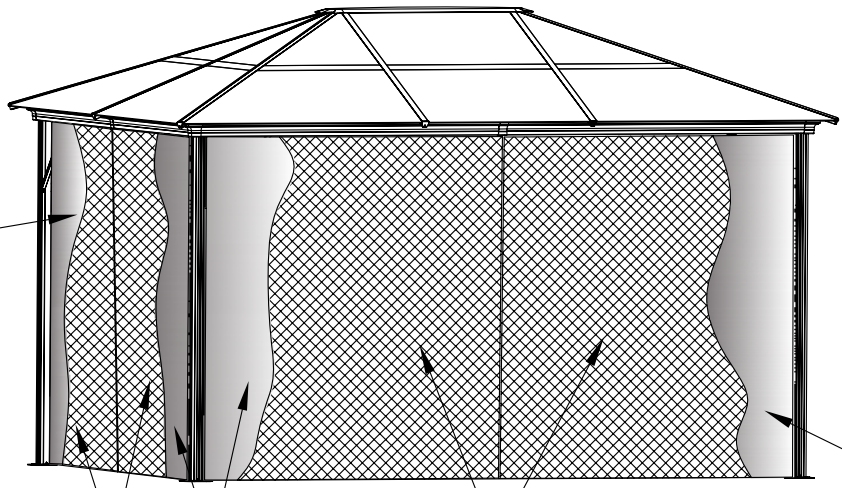
STEP 14



STEP 15



STEP 16



STEP 17

