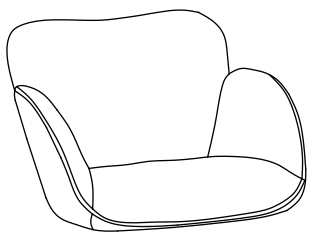
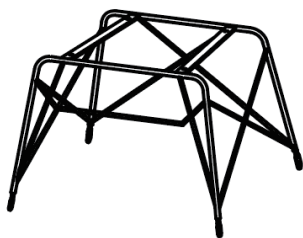


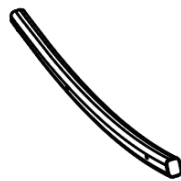
1



2



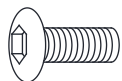
3



4



A



M6\*20  
8PCS

B



4PCS

C



Φ8X14mm  
4PCS

D

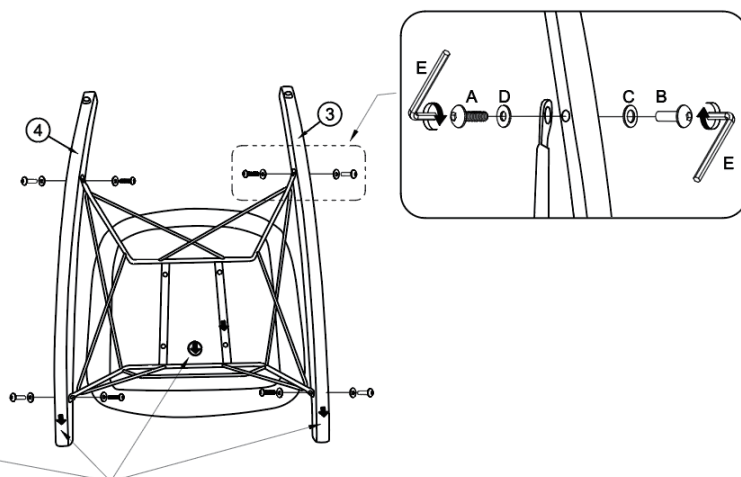
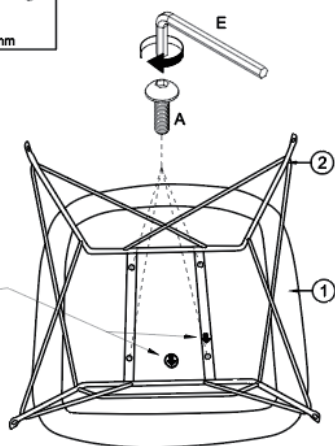
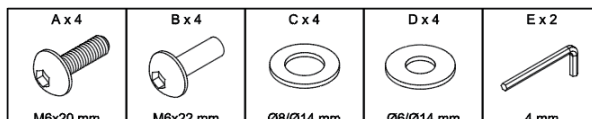
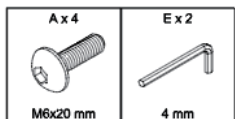


Φ6X14mm  
4PCS

E



M5  
2PCS



3

