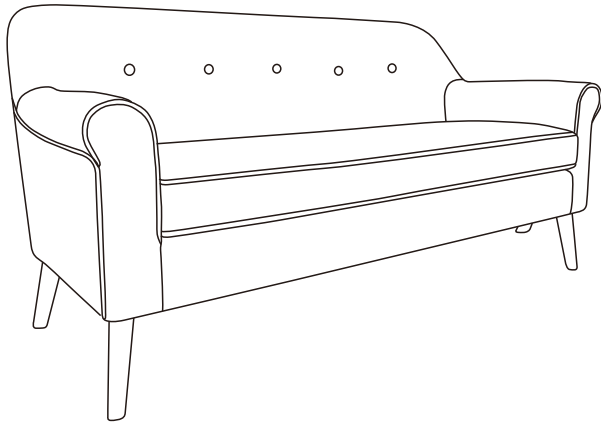
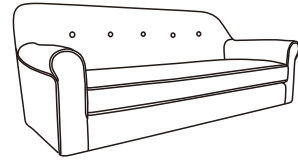


ASSEMBLY INSTRUCTIONS



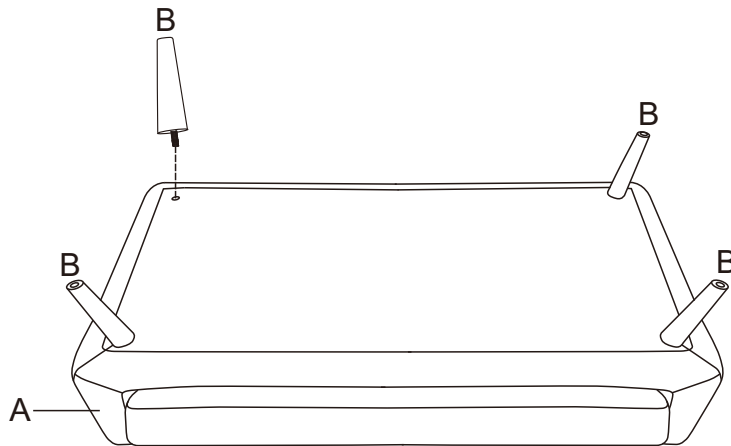
Ax1



Bx4



1



2

