

Outdoor Storage Shed 10X12ft Manual

Dear customer,

Thank you for your support. If you have any questions or concerns, please don't hesitate to contact us. Our customer service team is always here to help and assist you in any way we can. Thank you again for choosing our chicken coop.

Street: 8 The Green Suite A

City: Dover State: DE

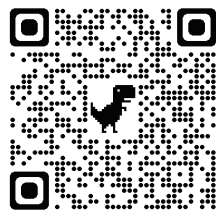
Post code: 19901

Phone: 3022415039/

6605538327

Email: easyhelpservice@yahoo.com

Scan the code on your phone and contact us via email.



sannwsg.com

After-sales phone service hours:

US Central Time: 19:00-23:00

Seattle time: 17:00-21:00

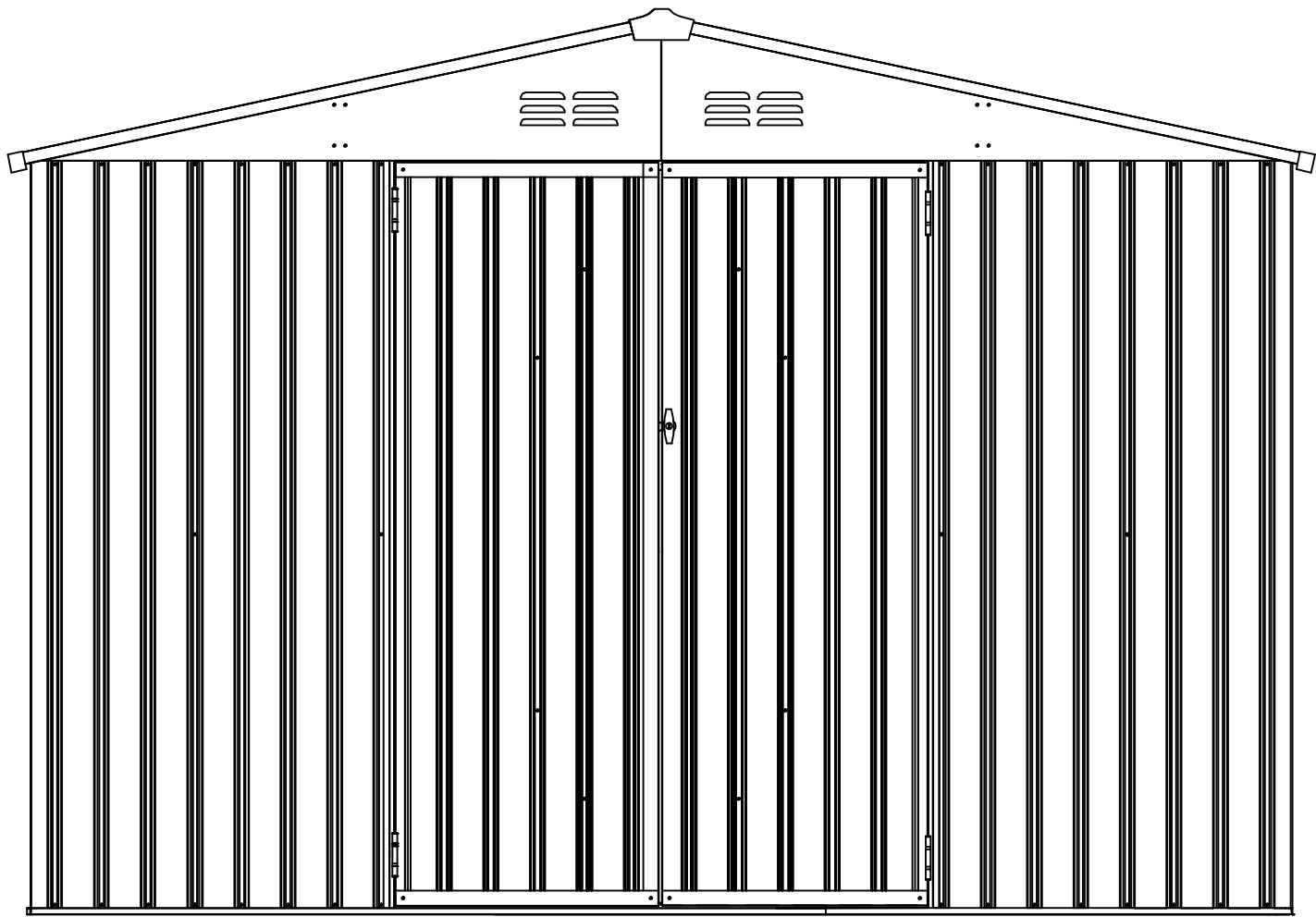
US Eastern Time: 20:00-00:00

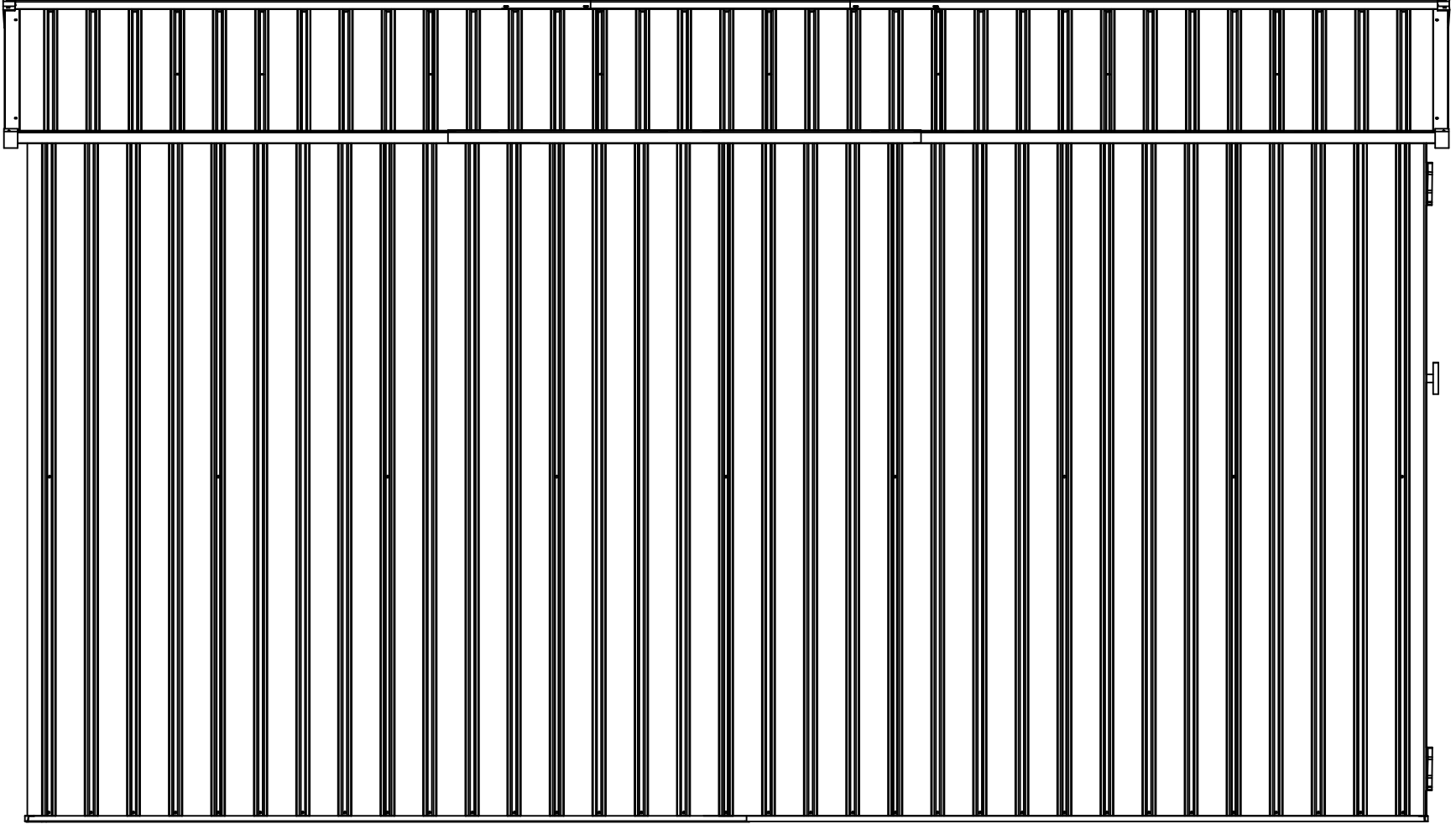
Toronto time: 20:00-00:00

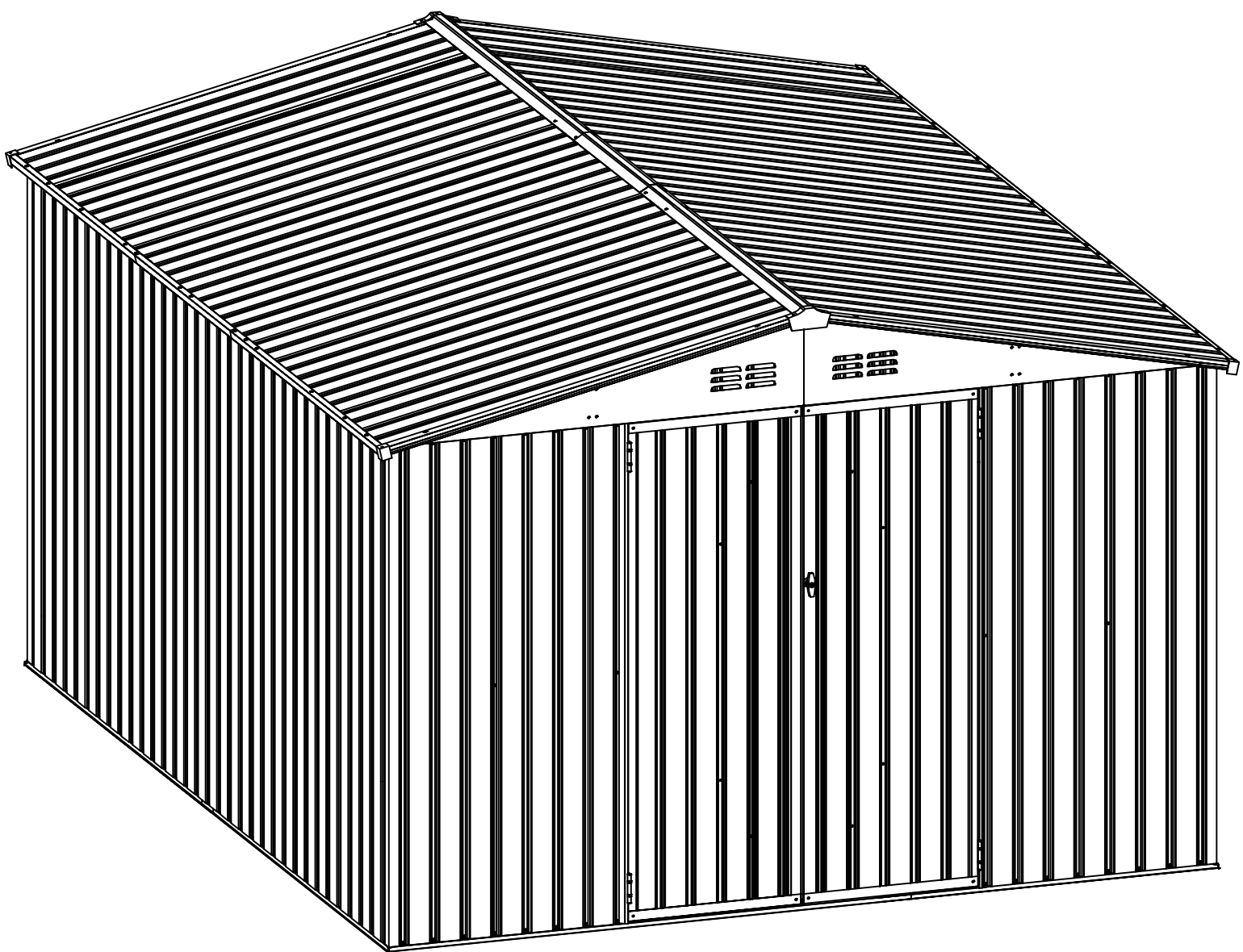
Germany time: 8:00-11:00

After-sales mailbox service time:

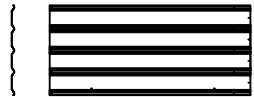


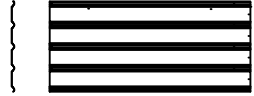

7*24 hours





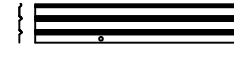








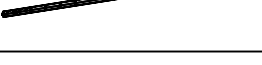
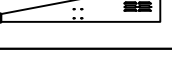
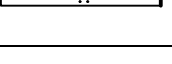
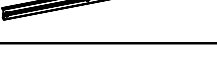

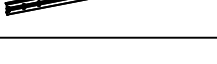

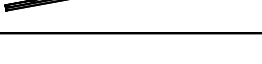
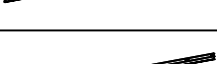
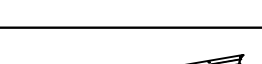
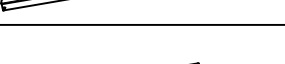

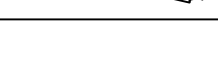





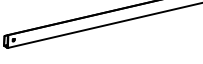
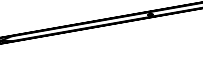


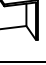



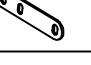
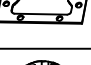
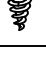

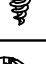



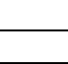
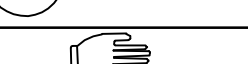







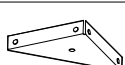

K1012parts list(A)

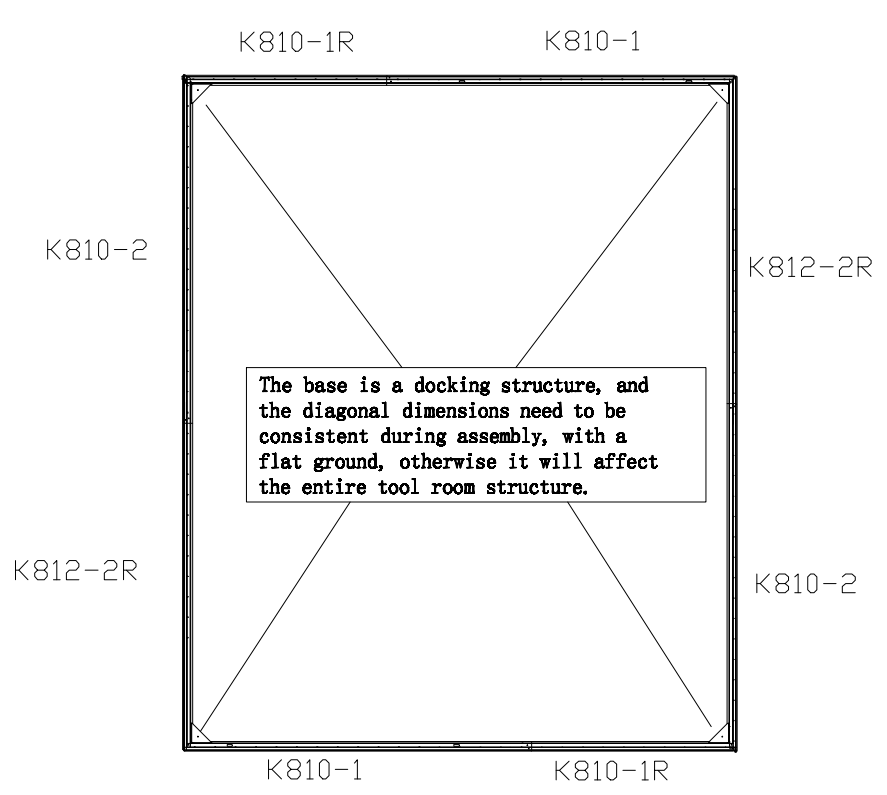
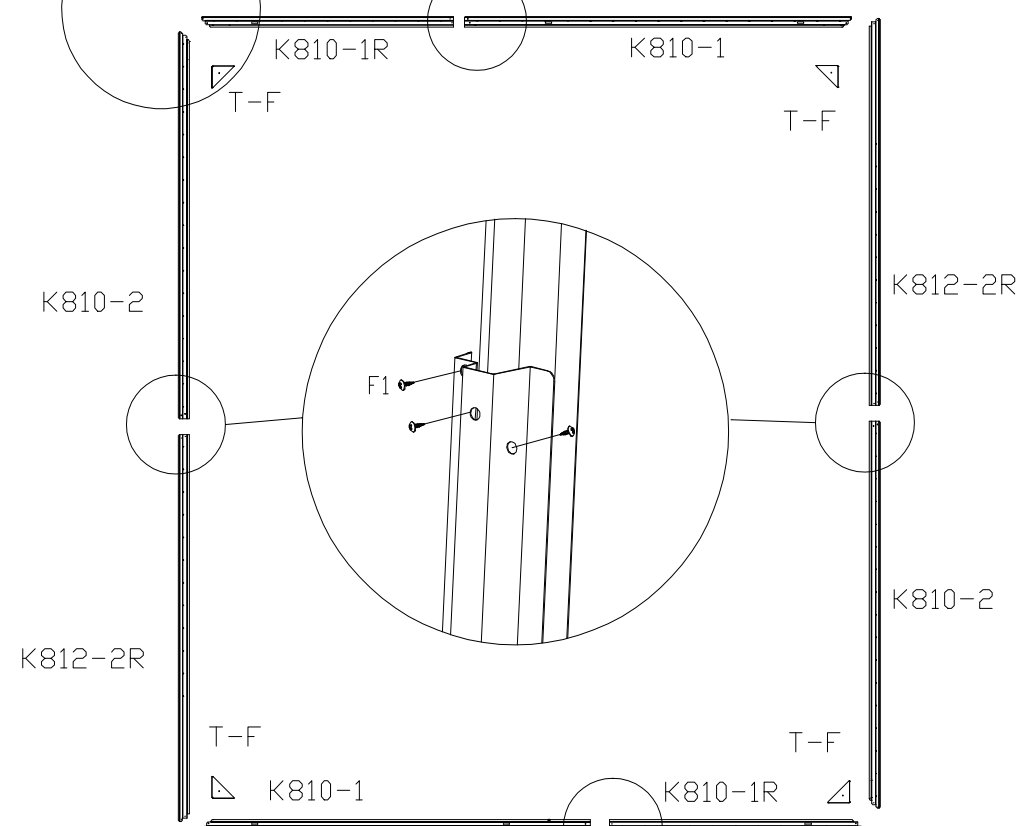
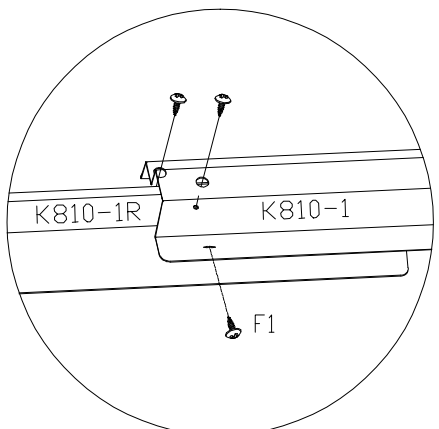
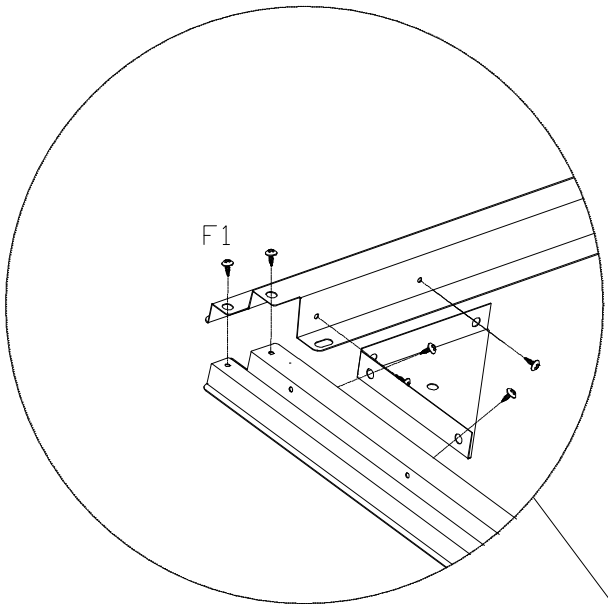
PART	NO.	QTY.
	K1014-7L	2
	K1014-7M	12
	W5-D	23
	K1014-7R	2
	W5-KD	2

K1012parts list(B)

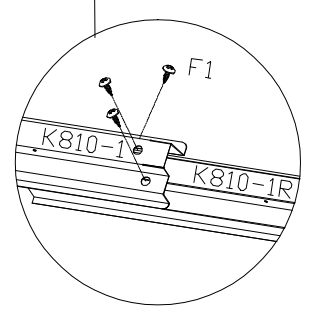
PART	NO.	QTY.
	W5-CD	4
	W2-HLD	1
	W2-HRD	1
	K1012-7MM	2
	K810-1	2
	K810-1R	2
	K810-2	2
	K812-2R	2
	K810-3L	2
	K810-3	2
	K810-4	2
	K812-4R	2
	K1014-5L	2
	K1014-5R	2
	K812-6L	6
	K812-6M	6
	K812-6R	6
	K810-8	4
	K812-9L	2
	K812-9M	2
	K812-9R	2
	K812-10	2
	K812-10M	1
	UAD	2



PART	NO.	QTY.
	DAD	2
	DLAD	1
	DRAD	1
	DDA	4
	DBD	4
	C3	4
	K1012-11	8
	GC	4
	GE	2
	T-F	4
	DC	2
	C2	4
	DH	4
	F1	536
	F2	106
	F3	32
	F4	4
	V2	196
	GL	1
	SL	82
	M20	1
	ST	2

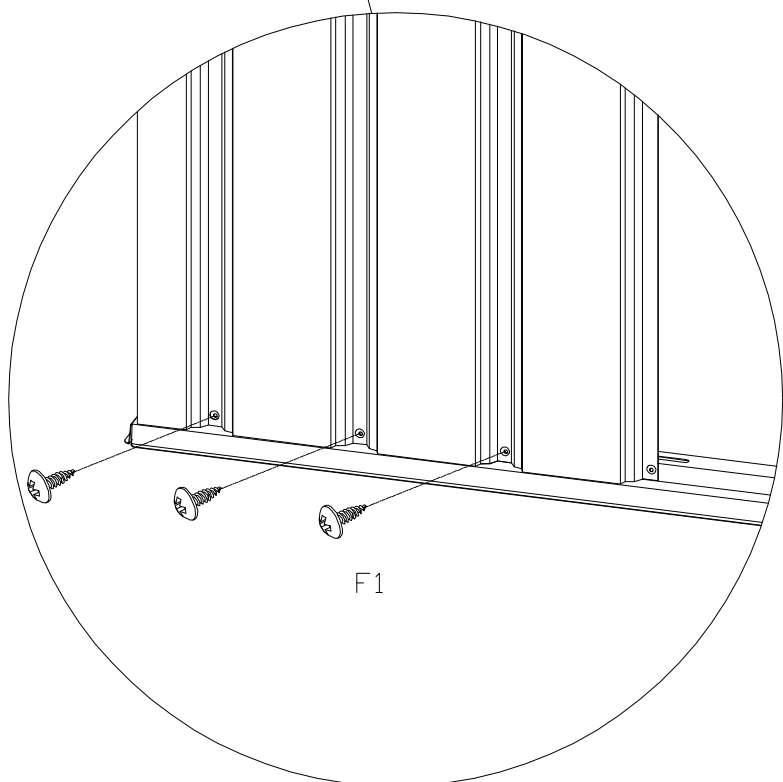
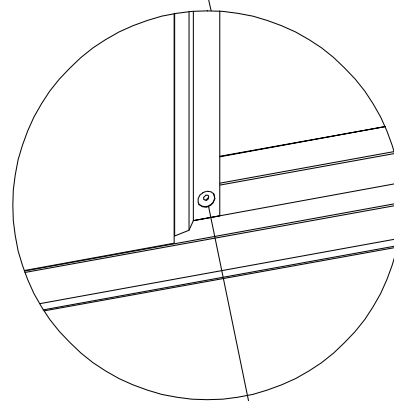
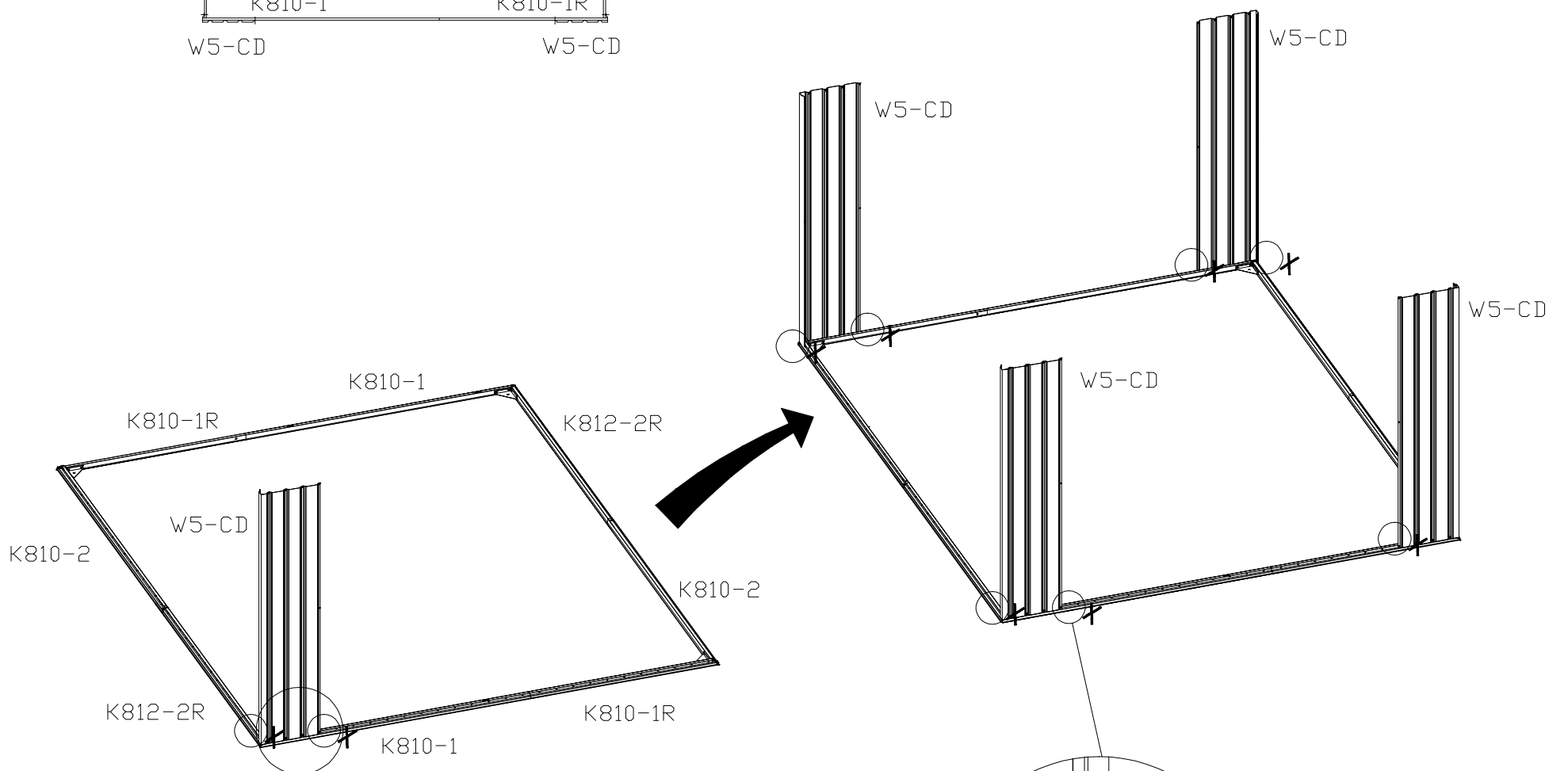
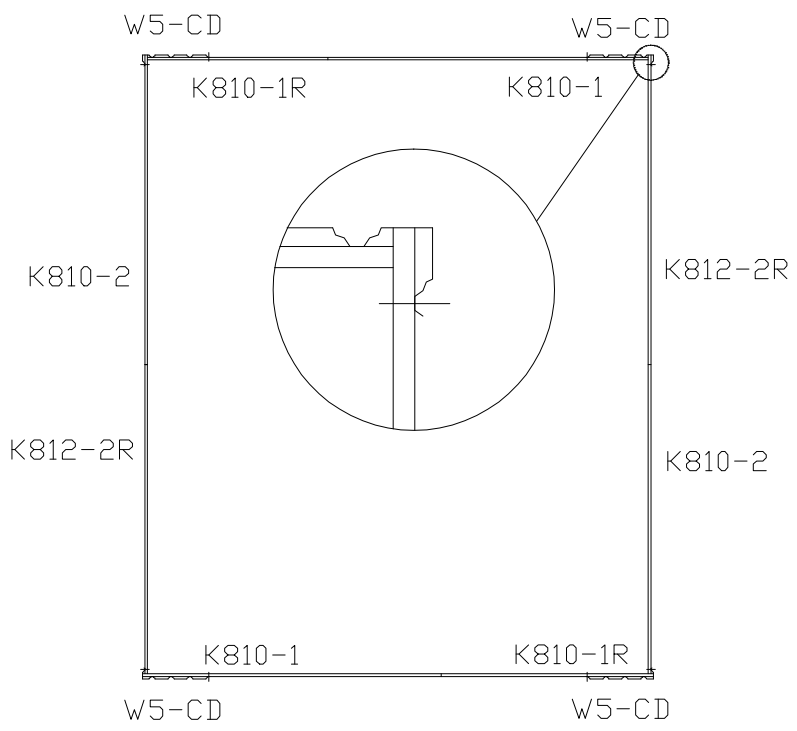
PART	NO.	QTY
	K810-1	2
	K810-1R	2
	K810-2	2
	K812-2R	2
	T-F	4
	F1	36






The base is a docking structure, and the diagonal dimensions need to be consistent during assembly, with a flat ground, otherwise it will affect the entire tool room structure.

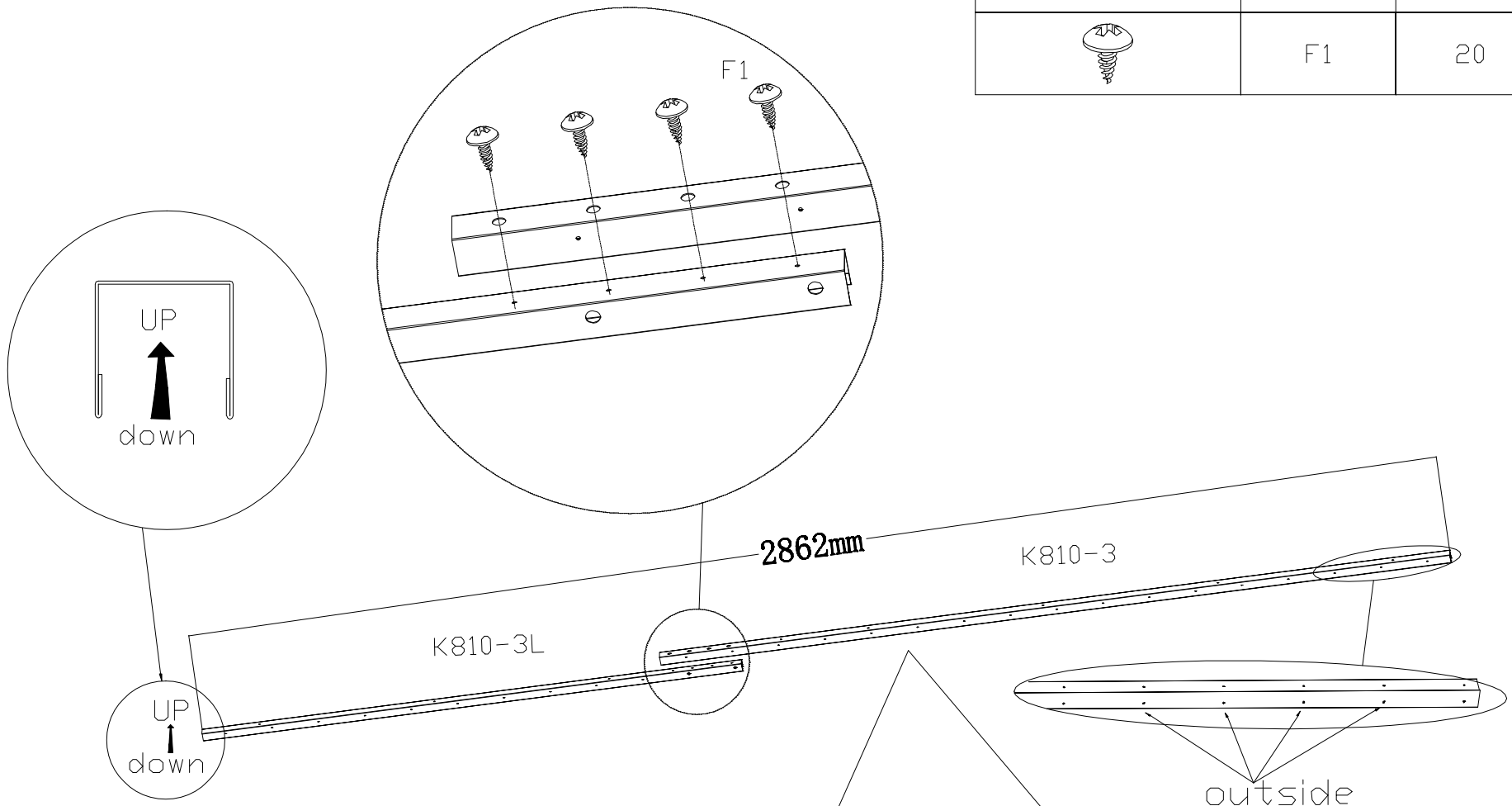


PART	NO.	QTY
	W5-CD	4
	F1	12

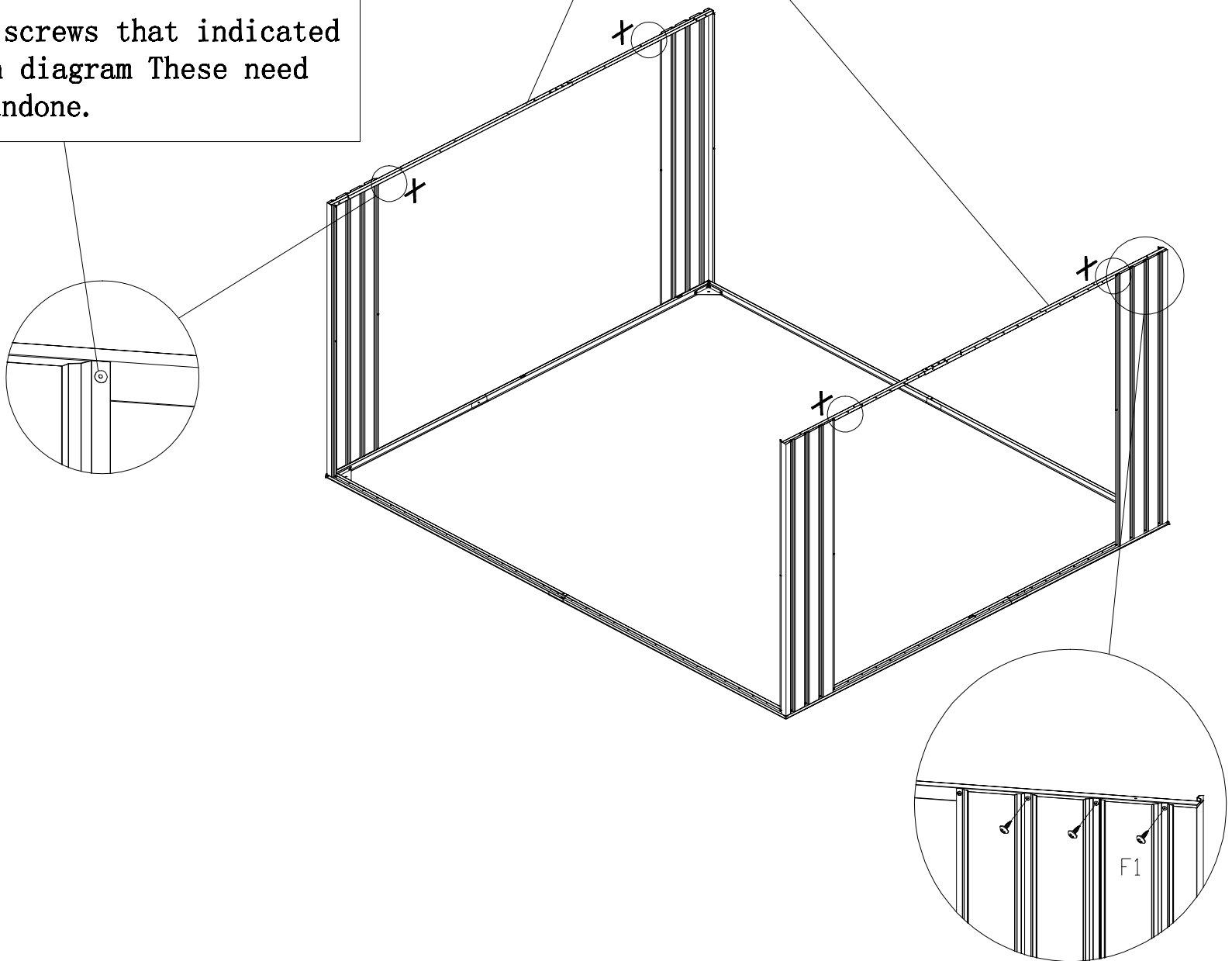




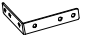

Dot not add screws that indicated with an X in diagram These need to be left undone.

PART	NO.	QTY
	K810-3L	2
	K810-3	2
	F1	20

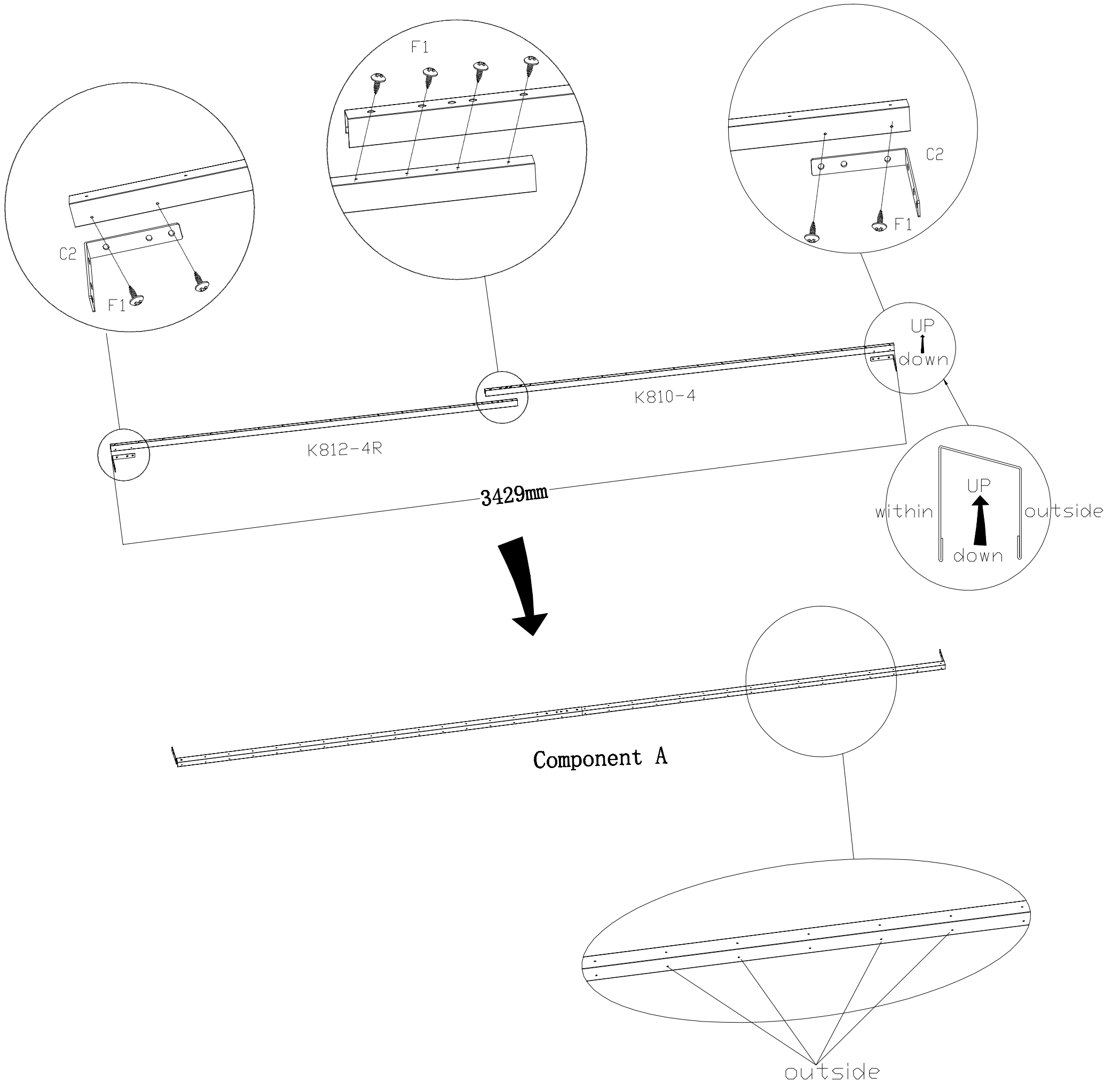




Dot not add screws that indicated with an X in diagram These need to be left undone.

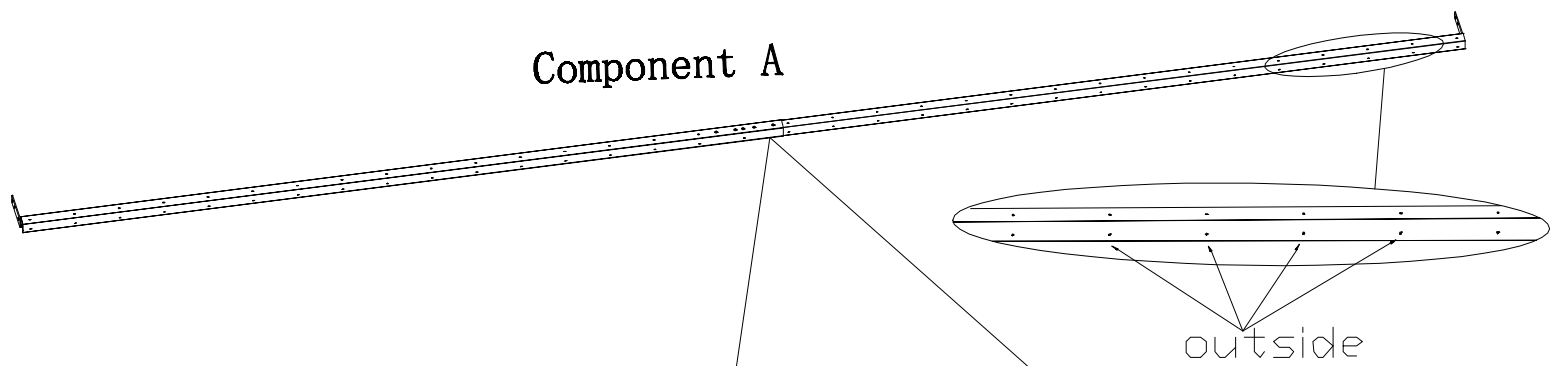


PART	NO.	QTY
	K810-4	2
	K812-4R	2
	C2	4
	F1	16

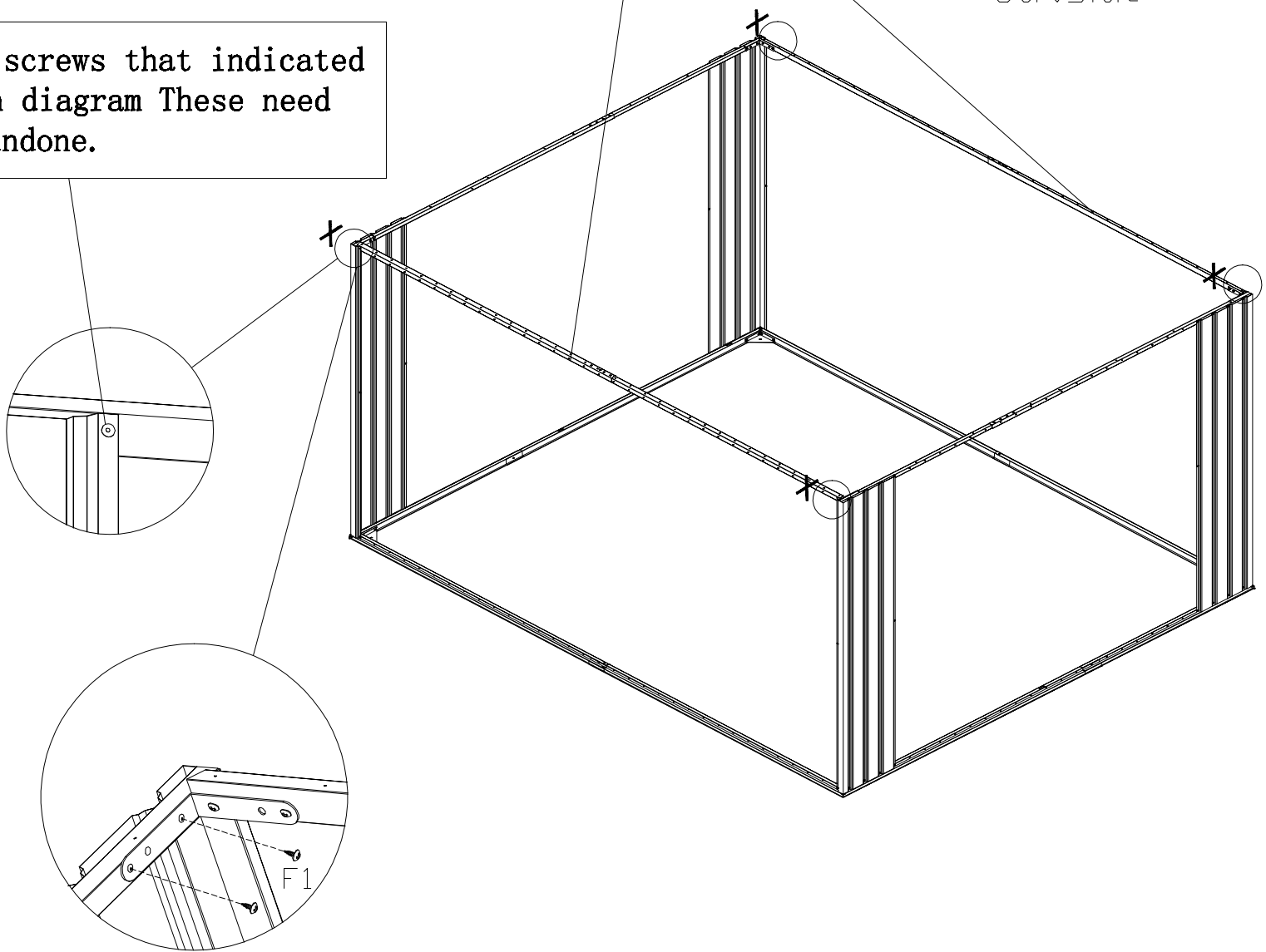
2 groups

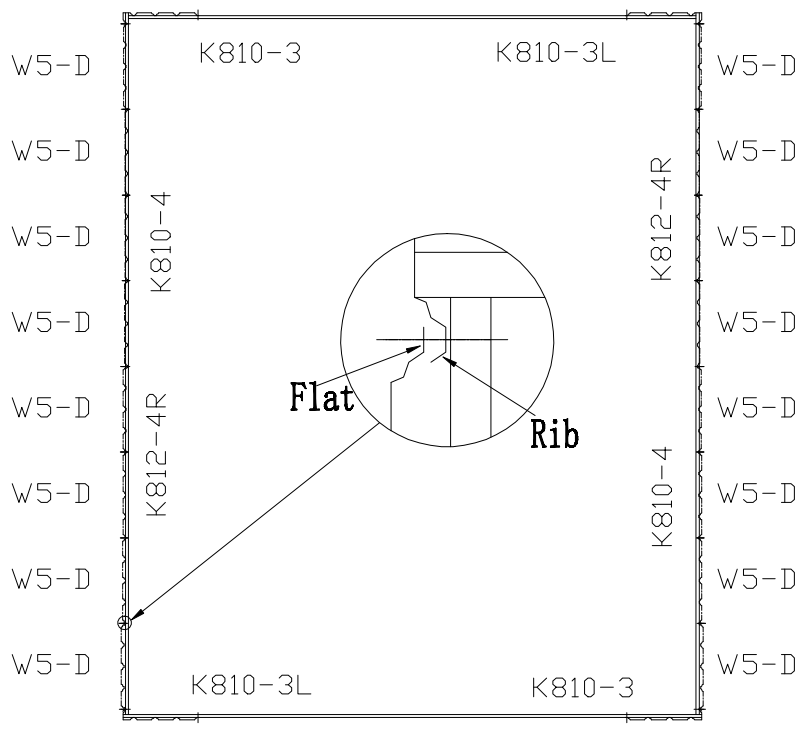





PART	NO.	QTY
	Component A	2
	F1	8

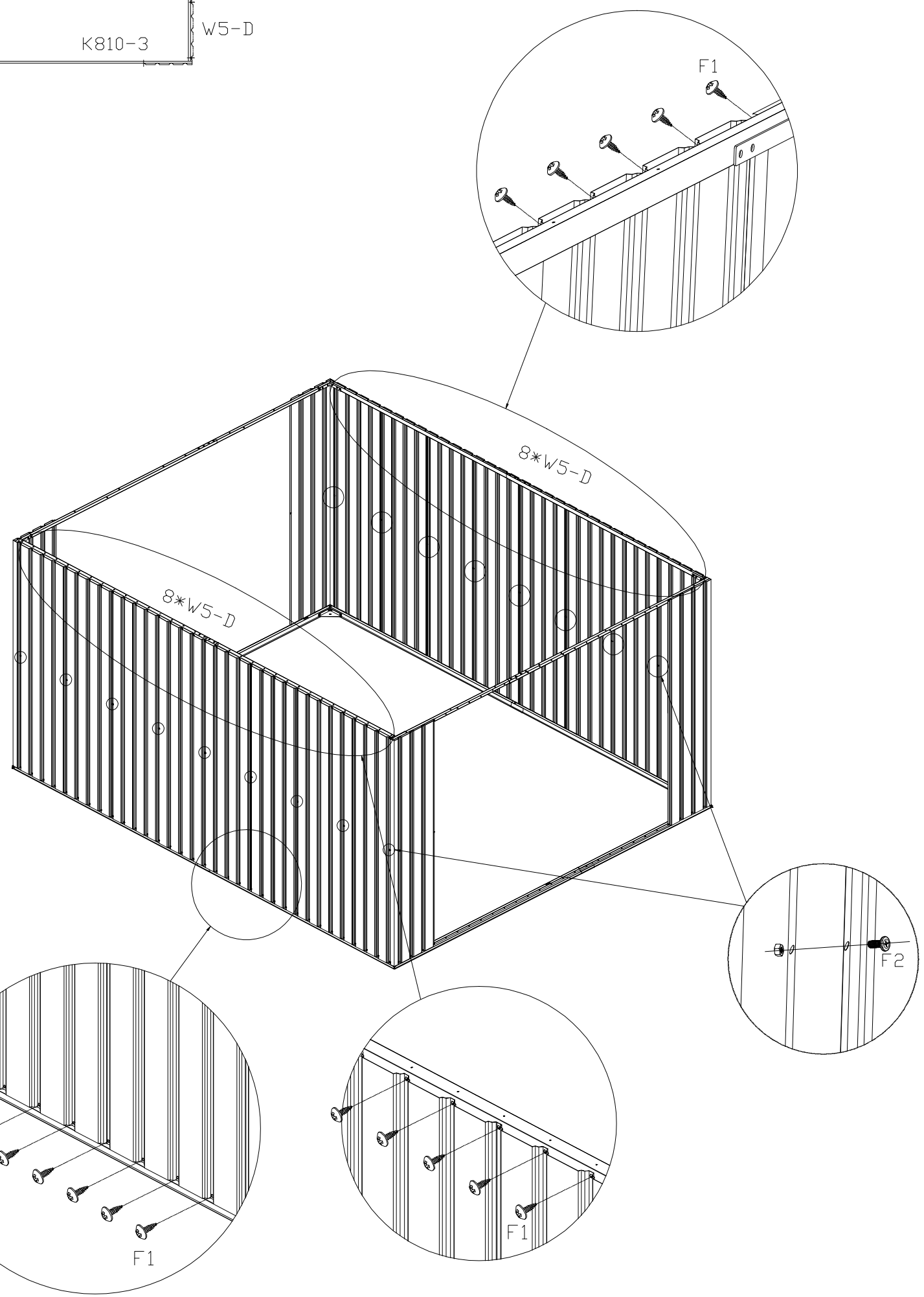


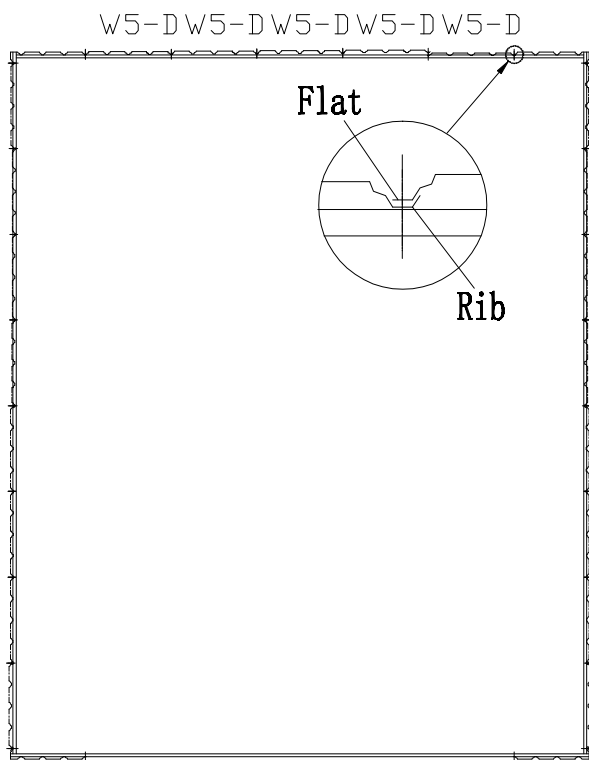
Dot not add screws that indicated with an X in diagram These need to be left undone.



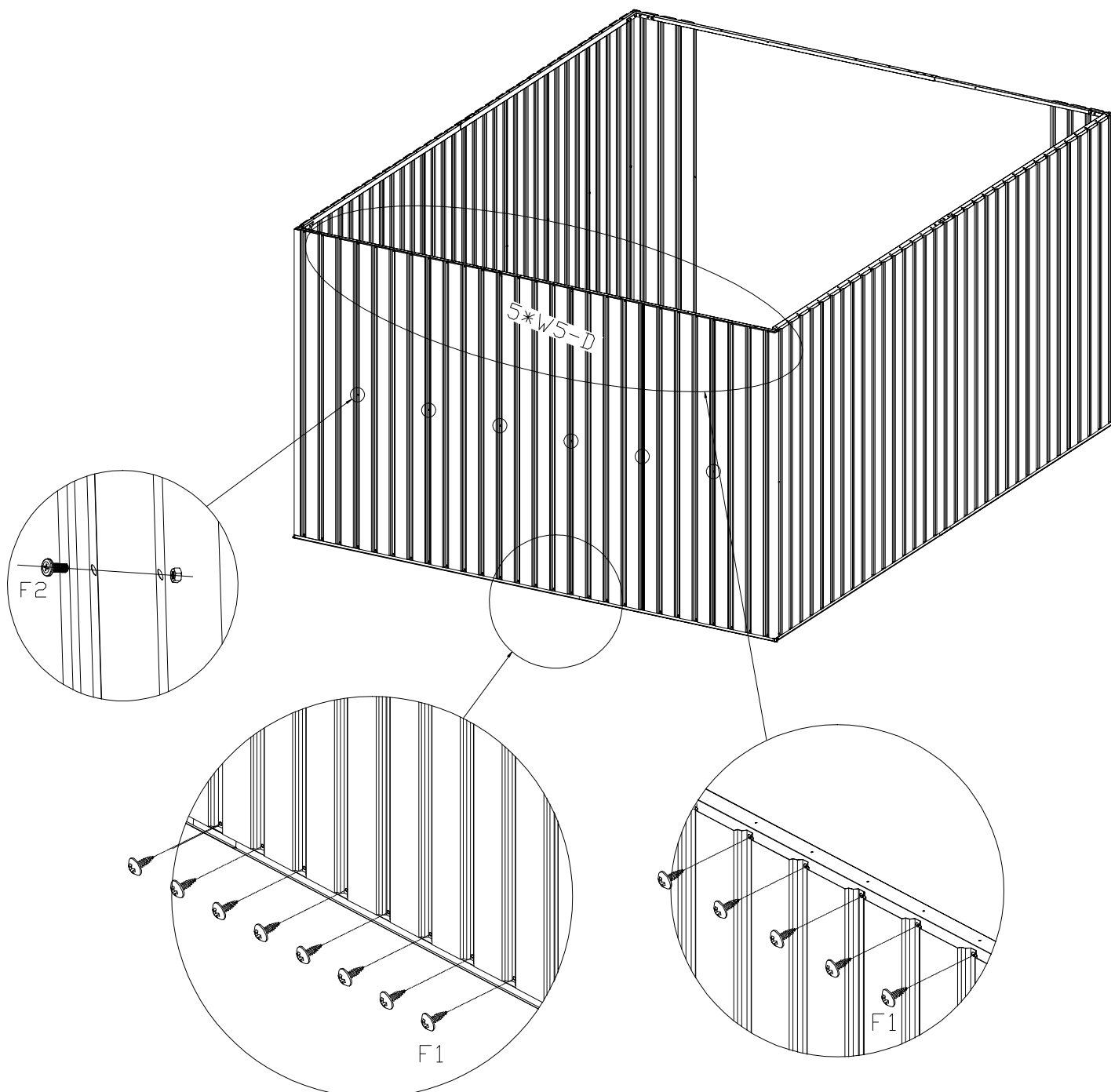





PART	NO.	QTY
	W5-D	16
	F1	132
	F2	18

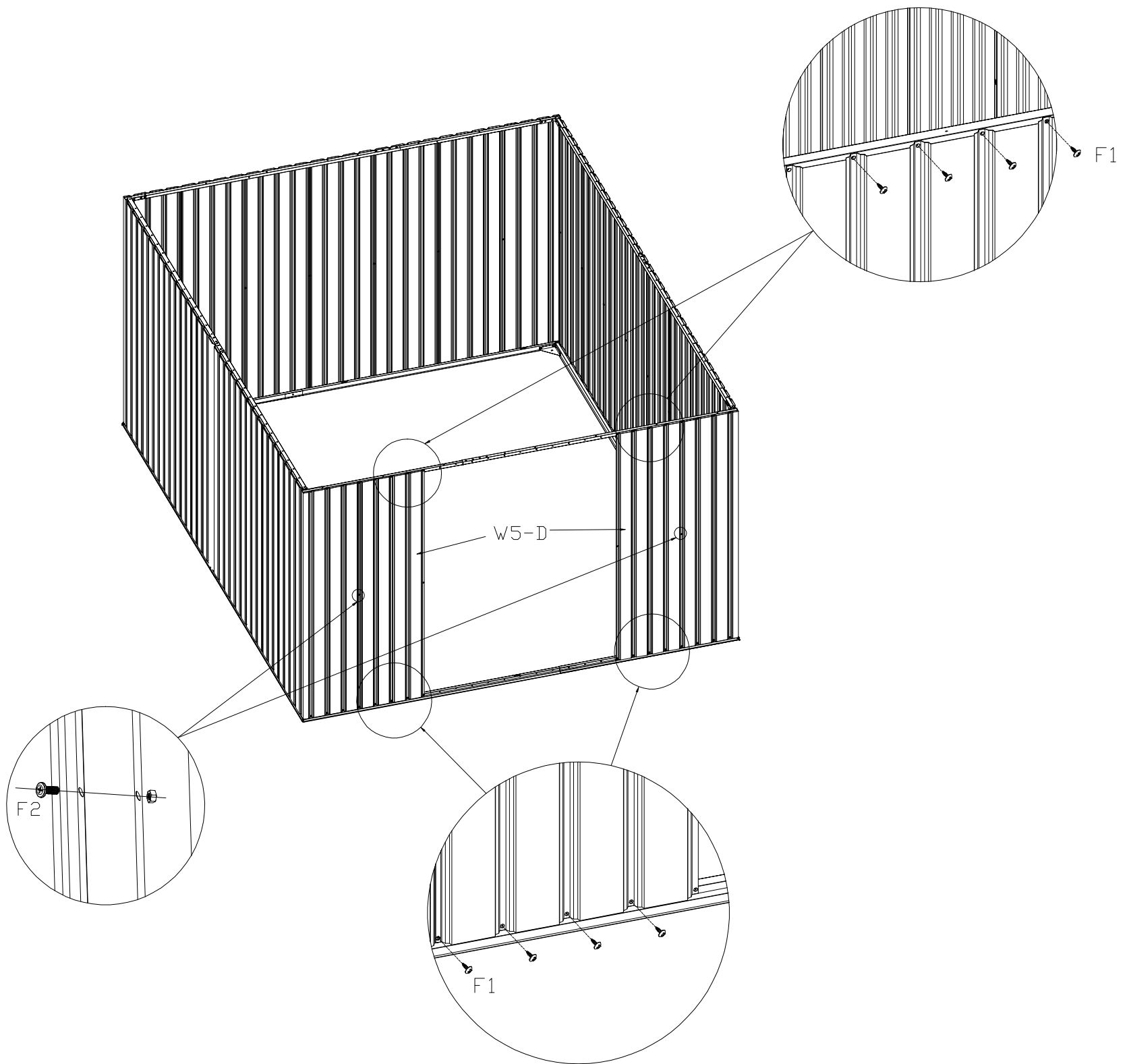
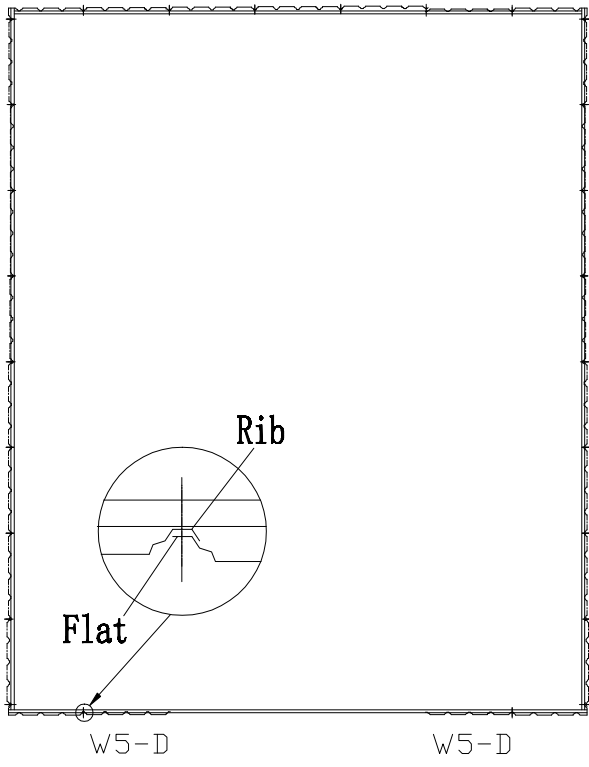


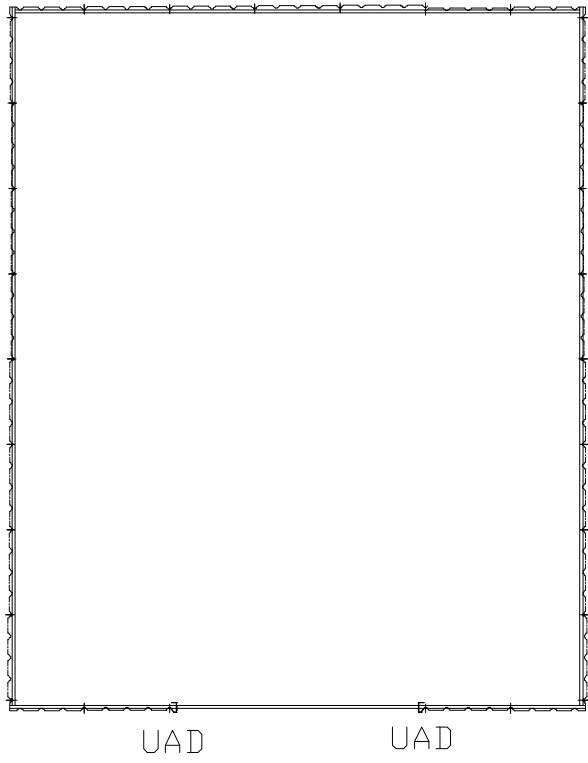




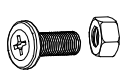
PART	NO.	QTY
	W5-D	5
	F1	42
	F2	6



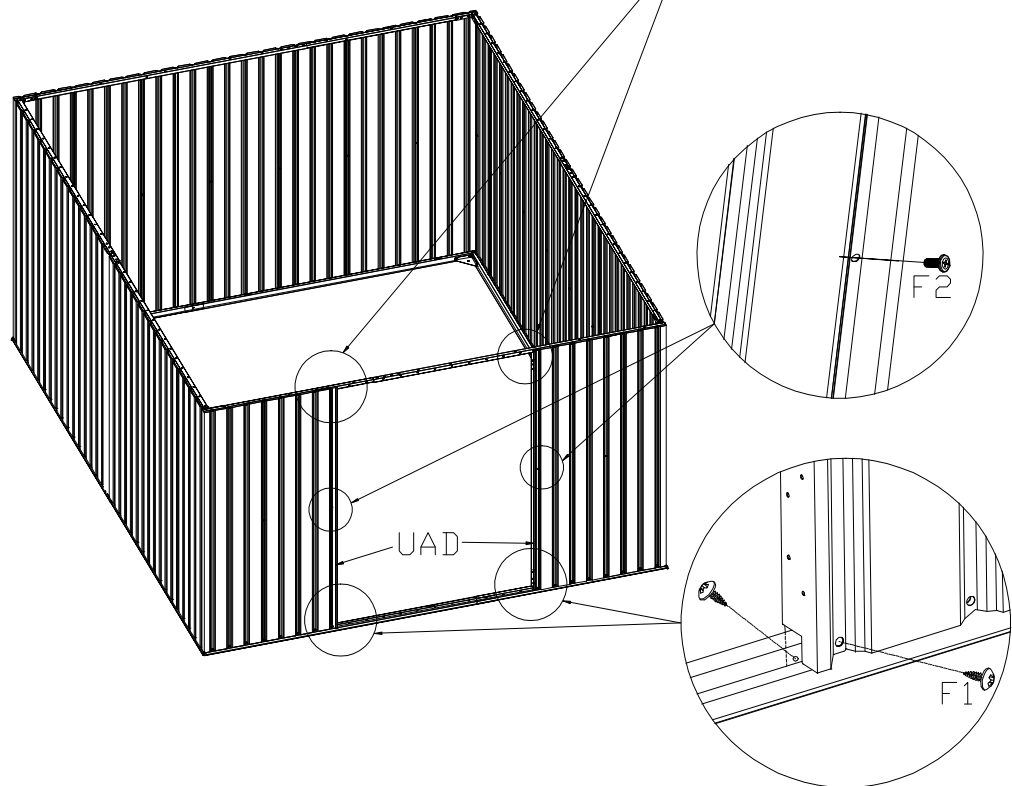
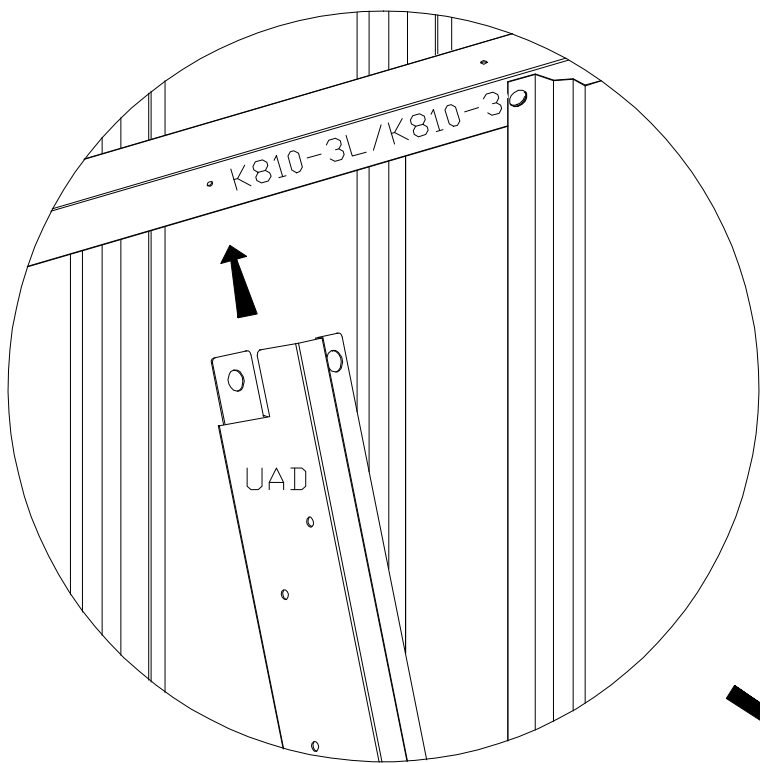
PART	NO.	QTY
	W5-D	2
	F1	16
	F2	2



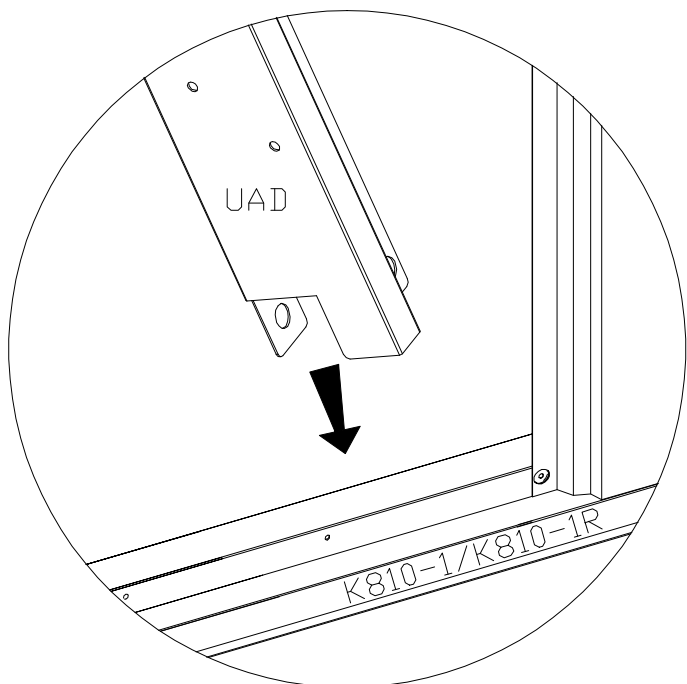


PART	NO.	QTY.
	UAD	2
	F1	8
	F2	2

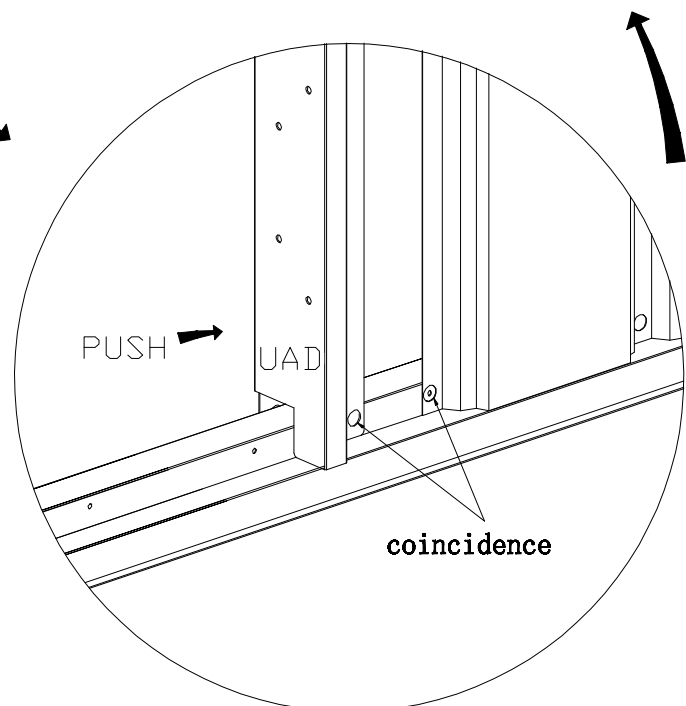
① UAD notch is inserted into K810-3L/K810-3.



④ F1 screw fixation






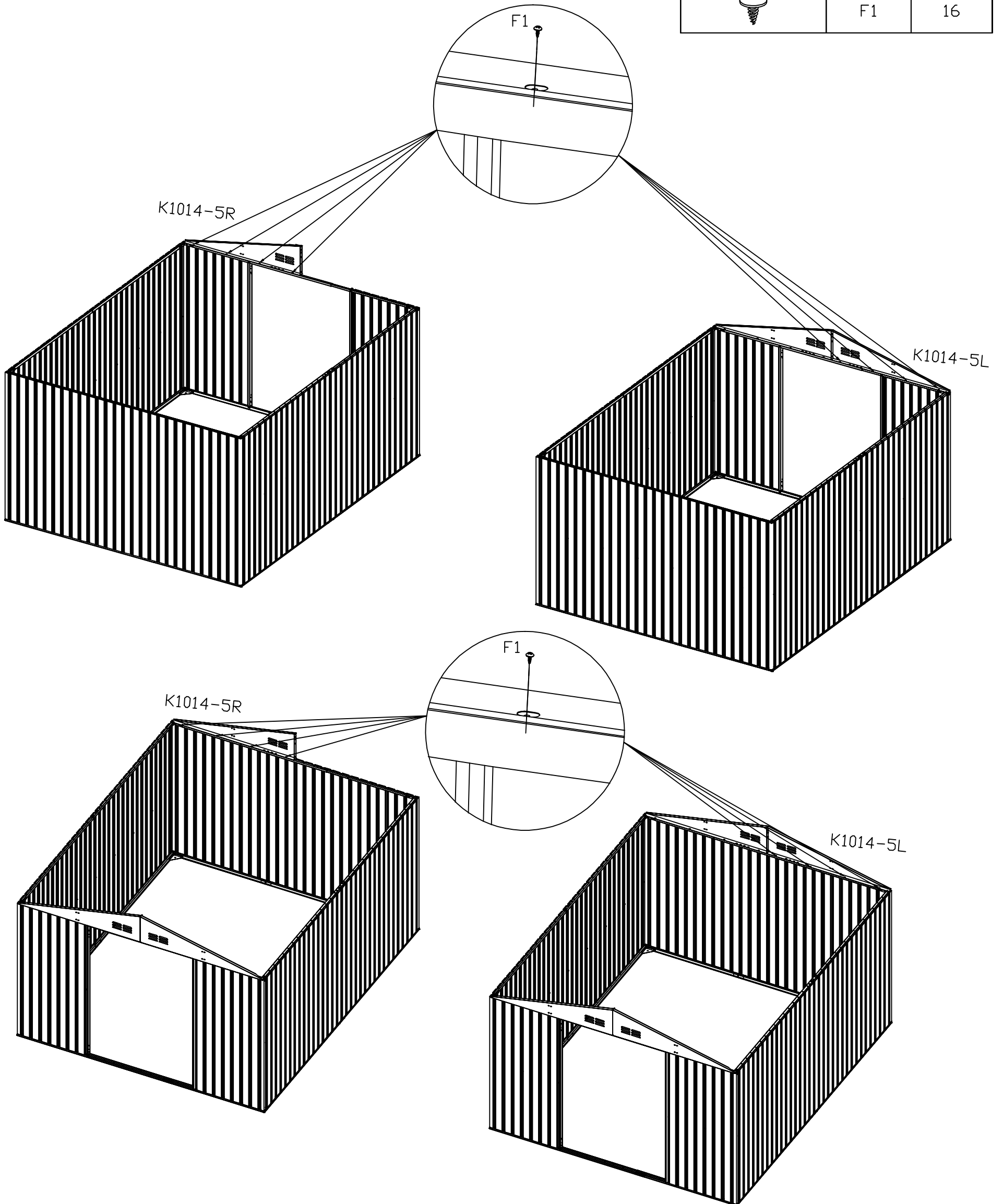
② UAD notch is inserted into K810-1/K810-1R.

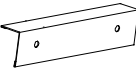
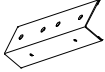




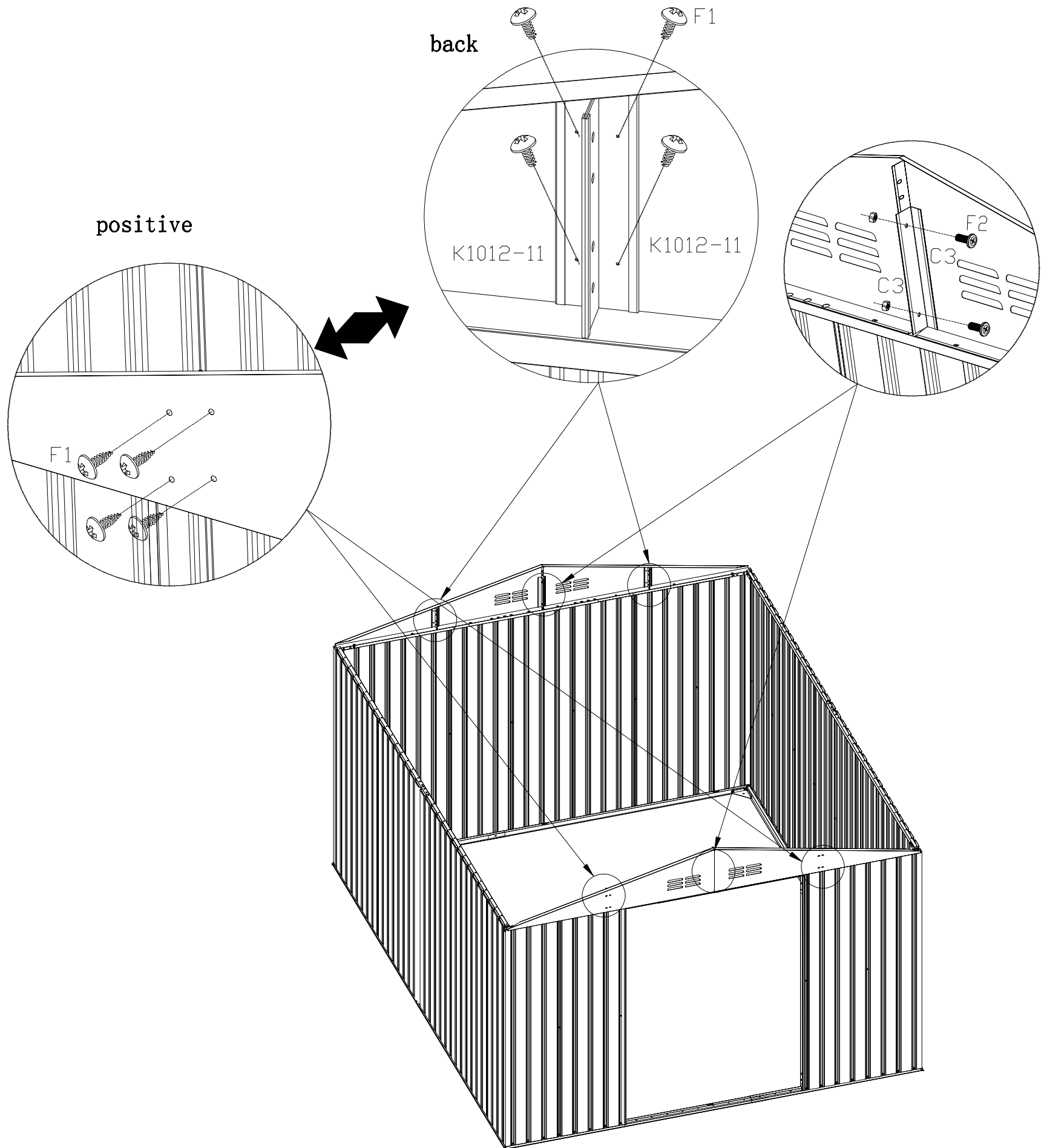
③ Push UAD to coincide with the screw holes on the board.

Attention: Assemble the ventilation board screws in the order shown in the diagram, Install the middle hole first to avoid misalignment.





PART	NO.	QTY
	K1014-5L	2
	K1014-5R	2
	F1	16

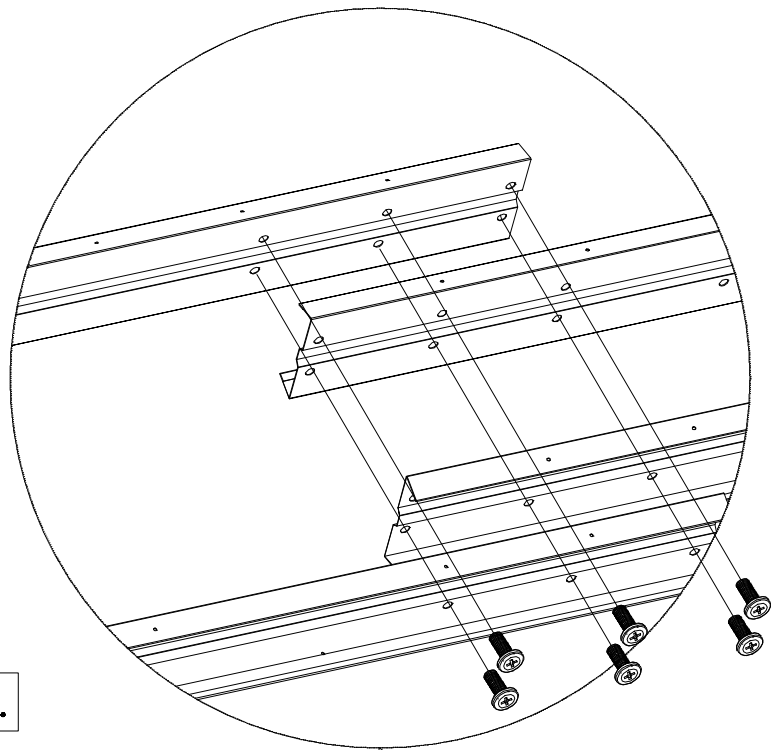


PART	NO.	QTY.
	C3	4
	K1012-11	8
	F1	16
	F2	4

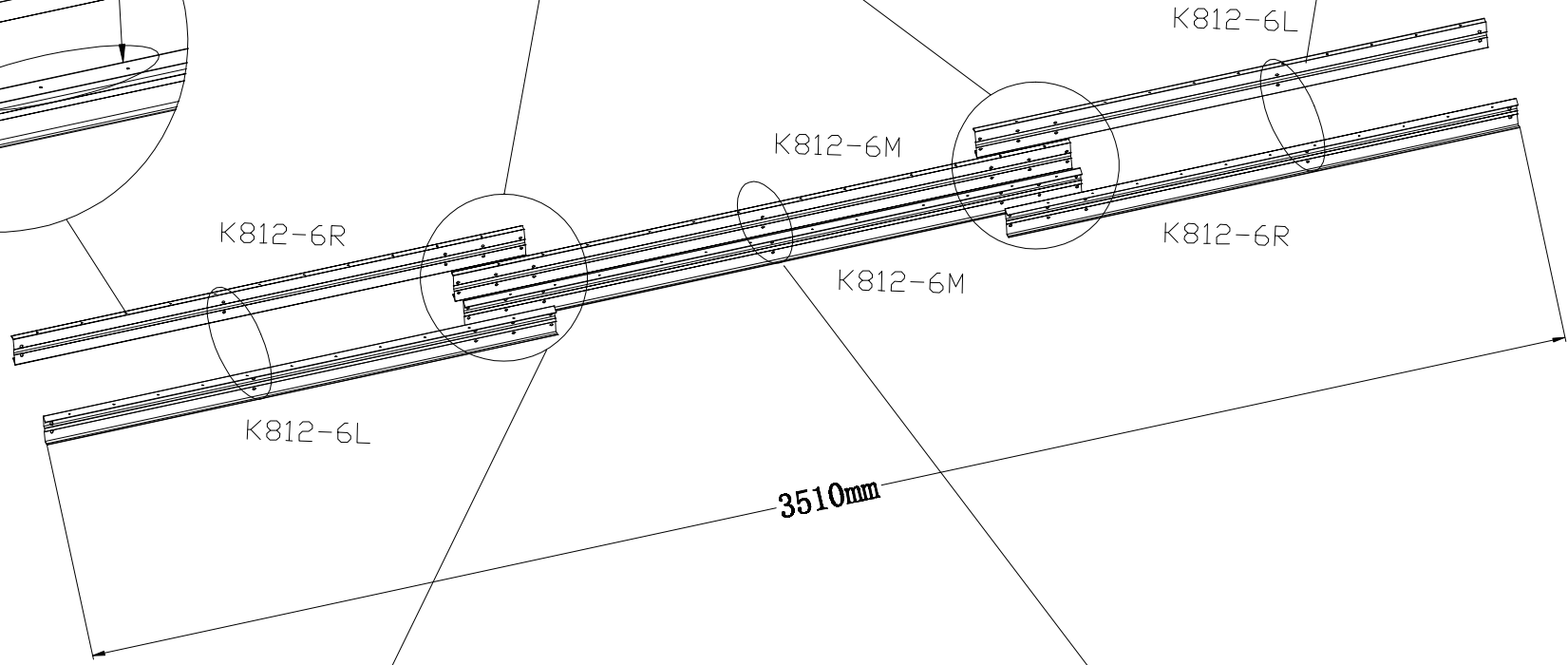
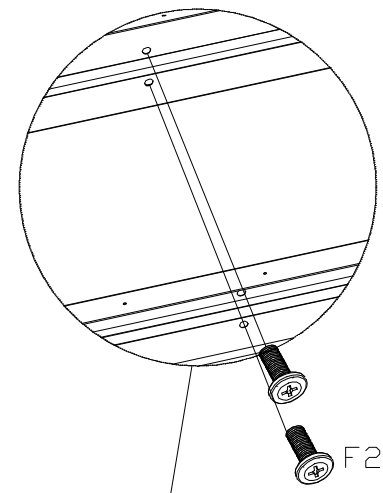
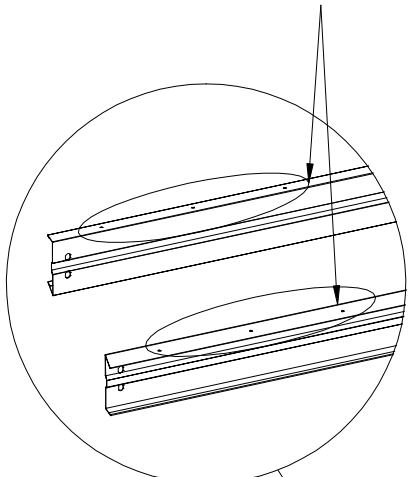


3 groups

PART	NO.	QTY
	K812-6L	6
	K812-6M	6
	K812-6R	6
	F2	54

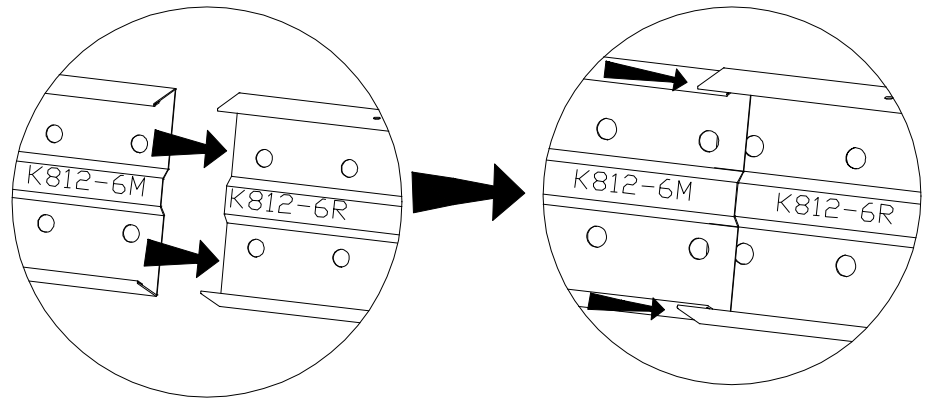
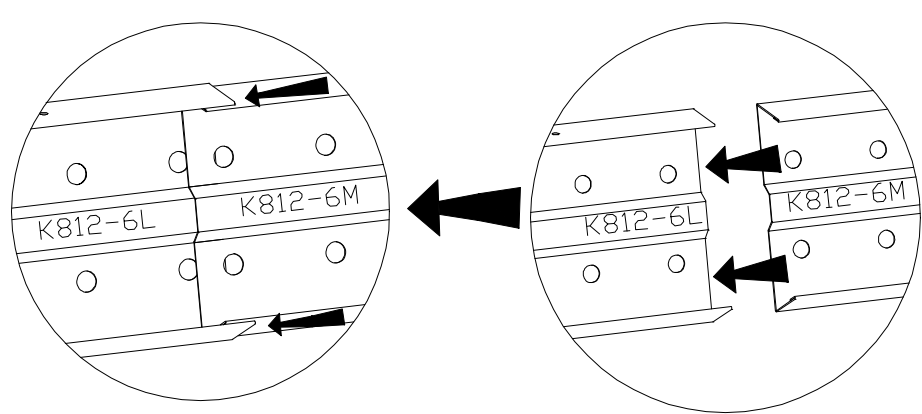



There are holes on top.



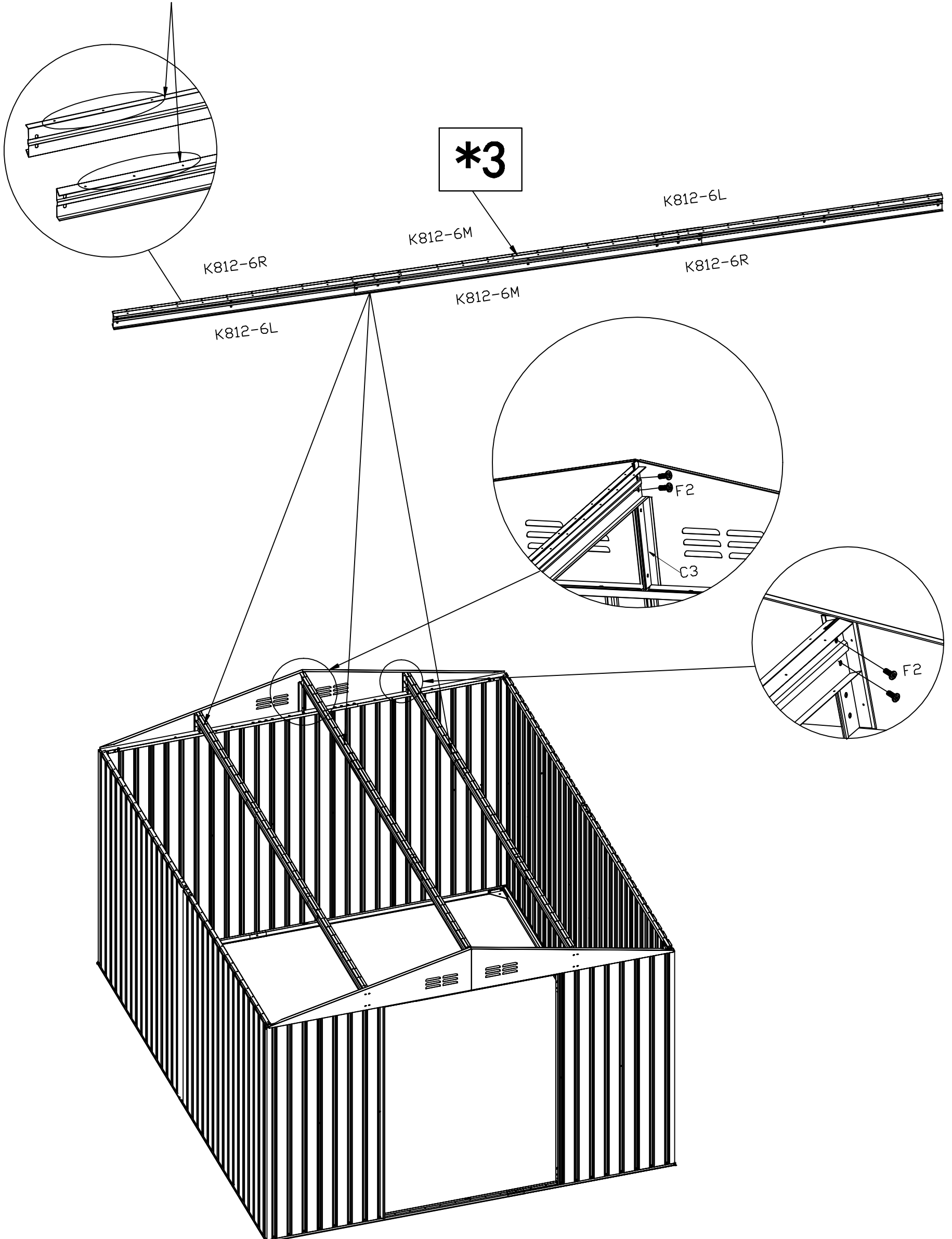
K812-6M has a smaller width and can be fitted into K812-6R .

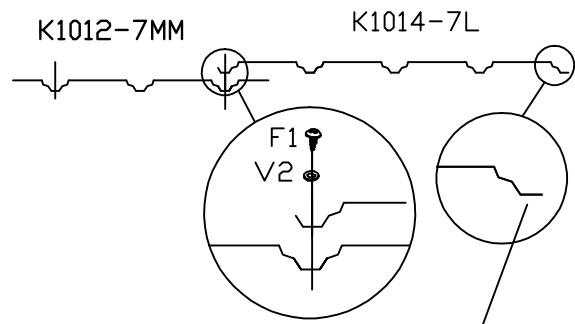
K812-6M has a smaller width and can be fitted into K812-6L .



PART	NO.	QTY
	F2	12

There are holes on top.



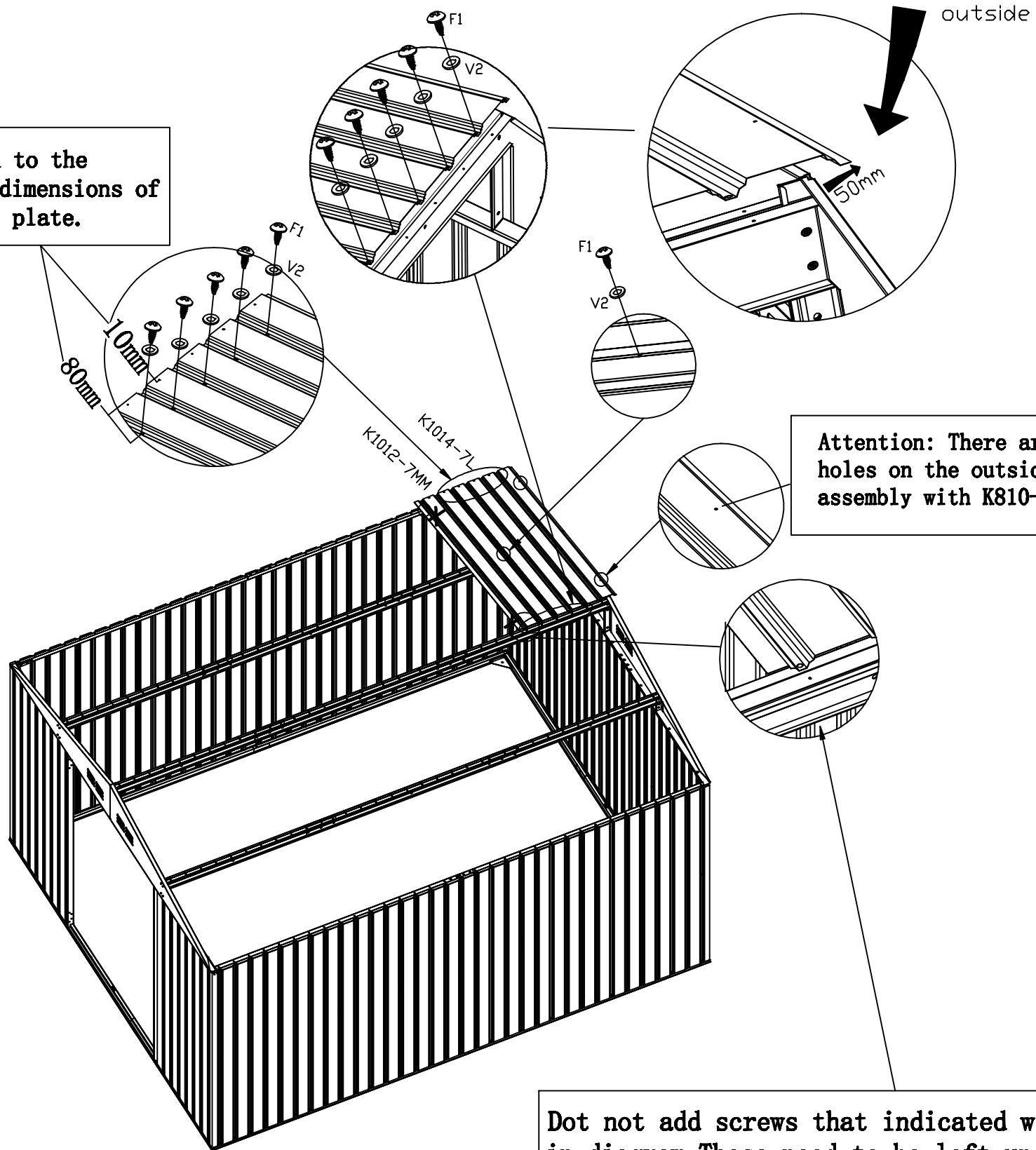


PART	NO.	QTY
	K1014-7L	1
	K1012-7MM	1
	F1	11
	V2	11

This is the installation of flat edges and K810-8, Otherwise, there will be interference phenomena.

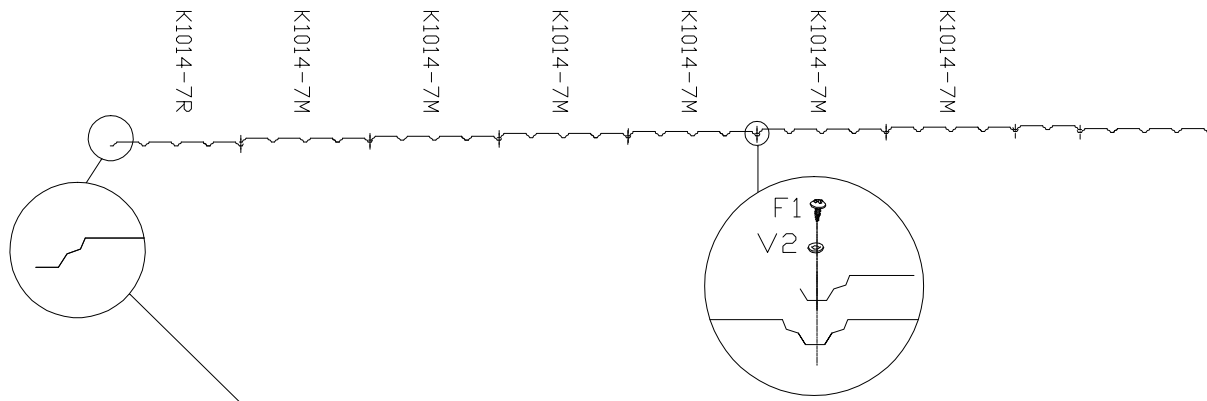
Install according to the diagram: The edge extends outward by about 50mm.

Pay attention to the installation dimensions of the top cover plate.



Attention: There are small holes on the outside for assembly with K810-8.

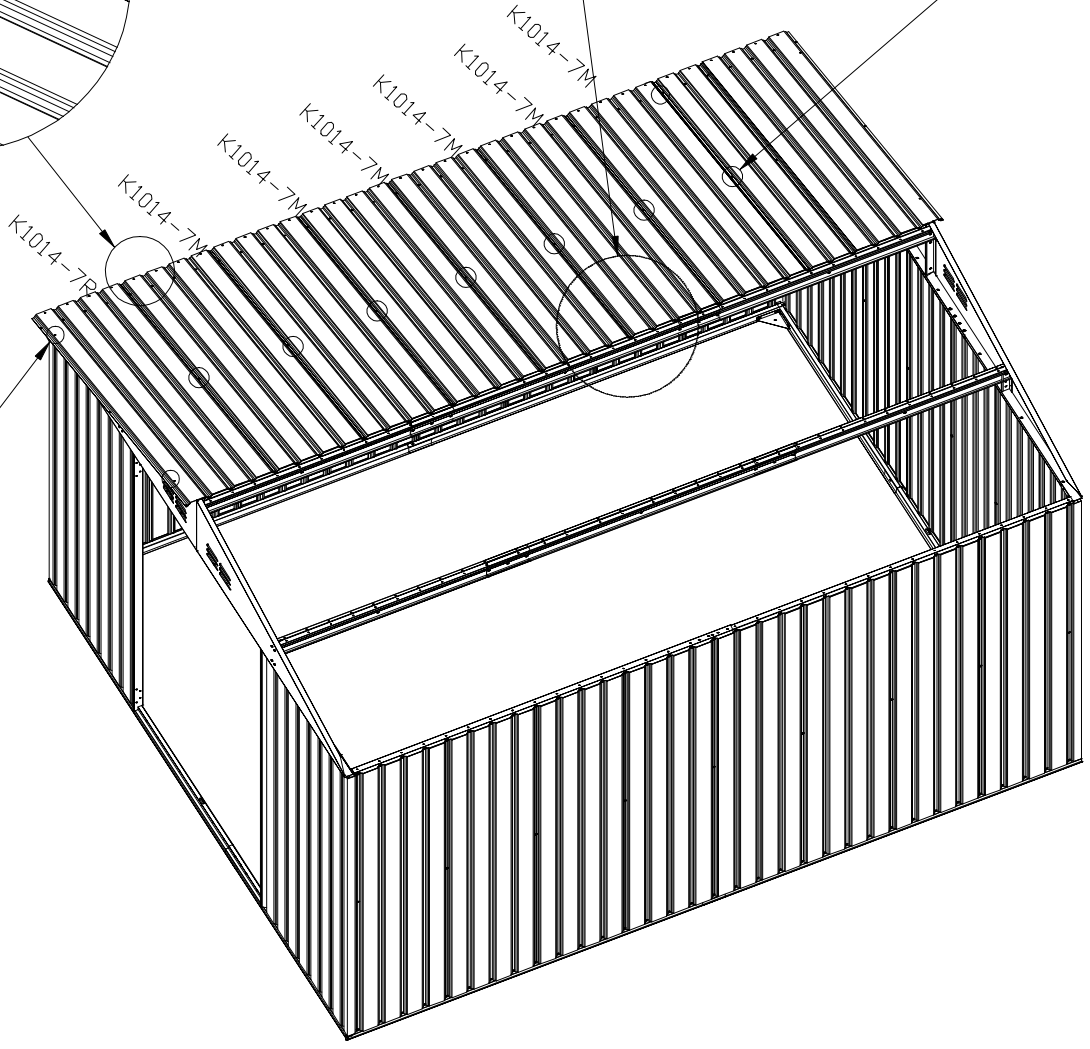
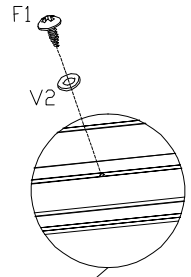
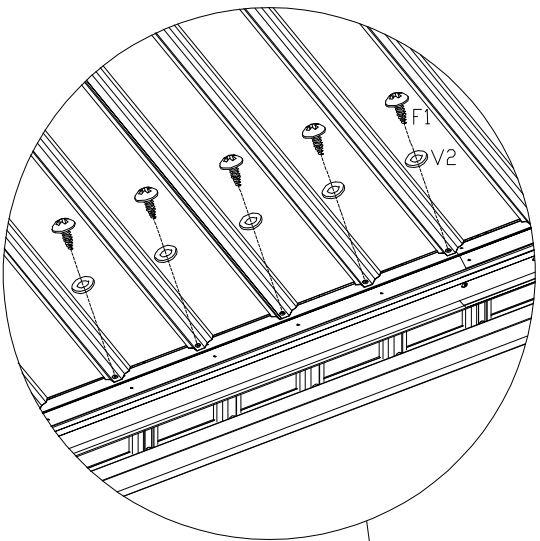
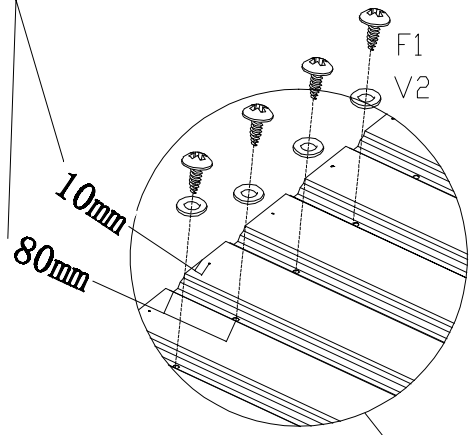
Do not add screws that indicated with an X in diagram These need to be left undone.









PART	NO.	QTY
	K1014-7M	6
	K1014-7R	1
	F1	63
	V2	63

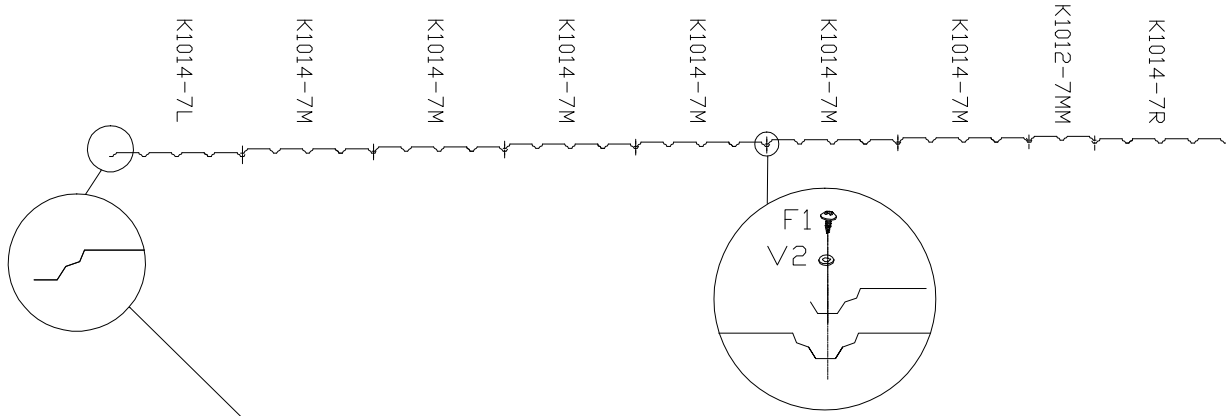
This is the installation of flat edges and K810-8, Otherwise, there will be interference phenomena.

Pay attention to the installation dimensions of the top cover plate.

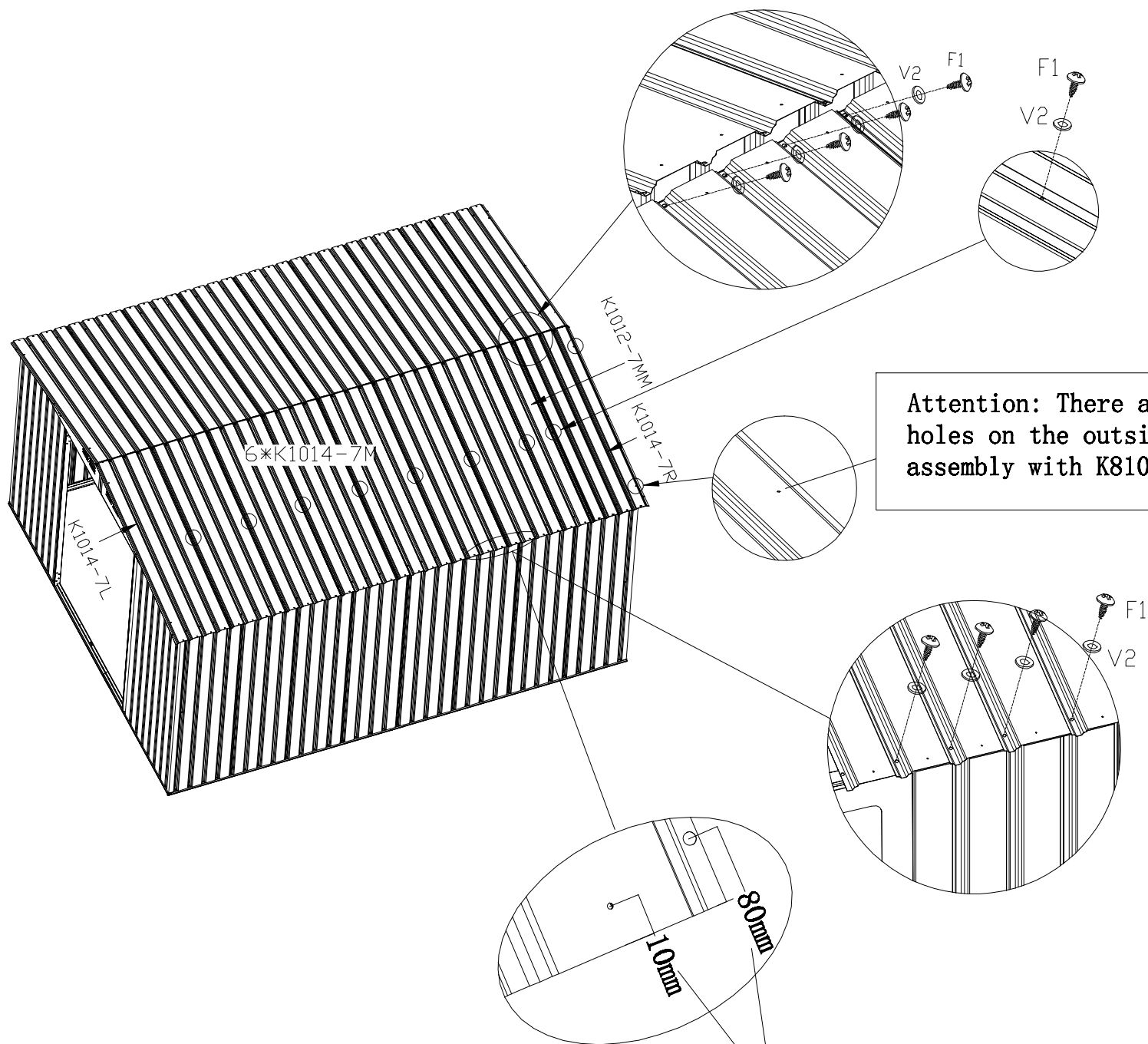


Attention: There are small holes on the outside for assembly with K810-8.

PART	NO.	QTY
	K1014-7L	1
	K1014-7M	6
	K1012-7MM	1
	K1014-7R	1
	F1	74
	V2	74







This is the installation of flat edges and K810-8, Otherwise, there will be interference phenomena.

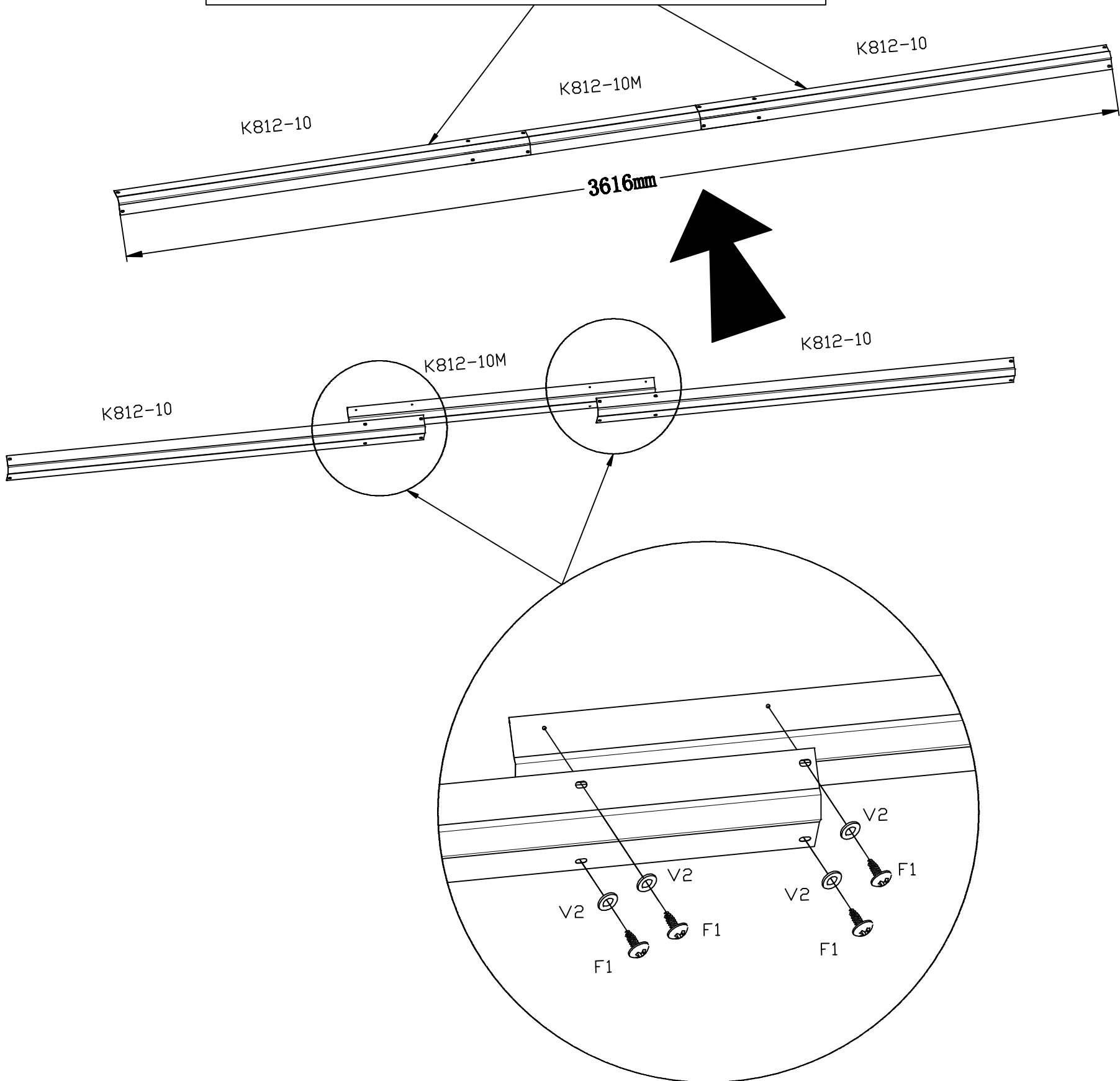


Attention: There are small holes on the outside for assembly with K810-8.

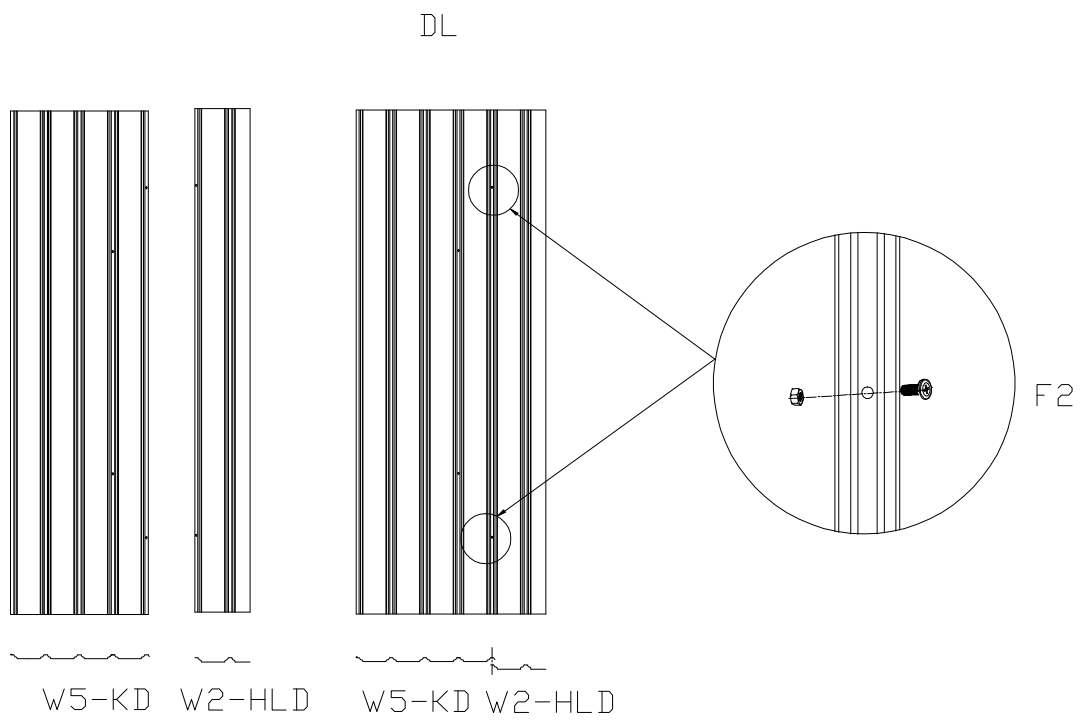
Pay attention to the installation dimensions of the top cover plate.

PART	NO.	QTY
	K812-10	2
	K812-10M	1
	F1	8
	V2	8

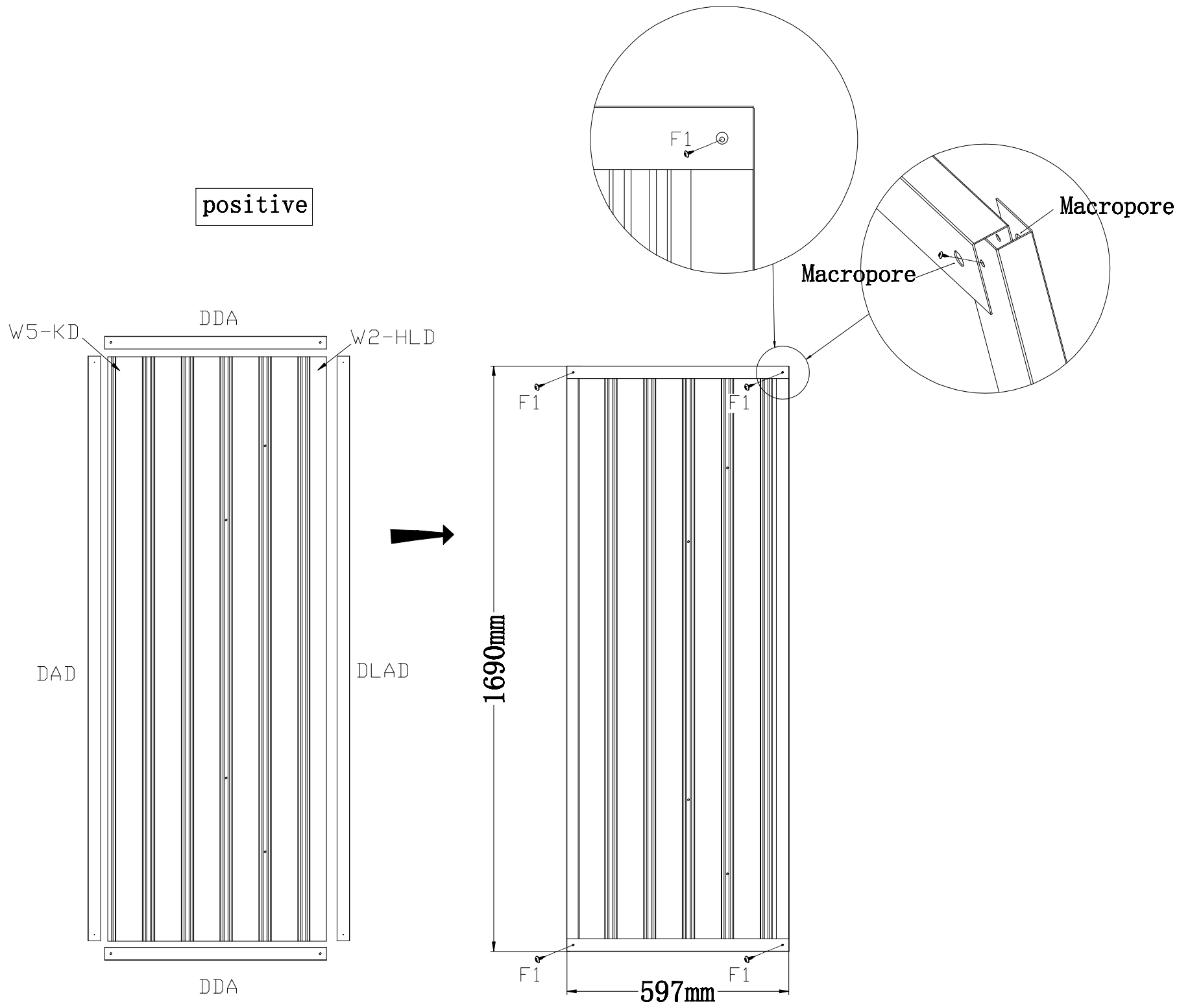
According to the diagram,
the three components of the roof rain shield
should be connected with F1 self tapping screws
before proceeding with subsequent installation.



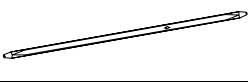


Left door panel splicing



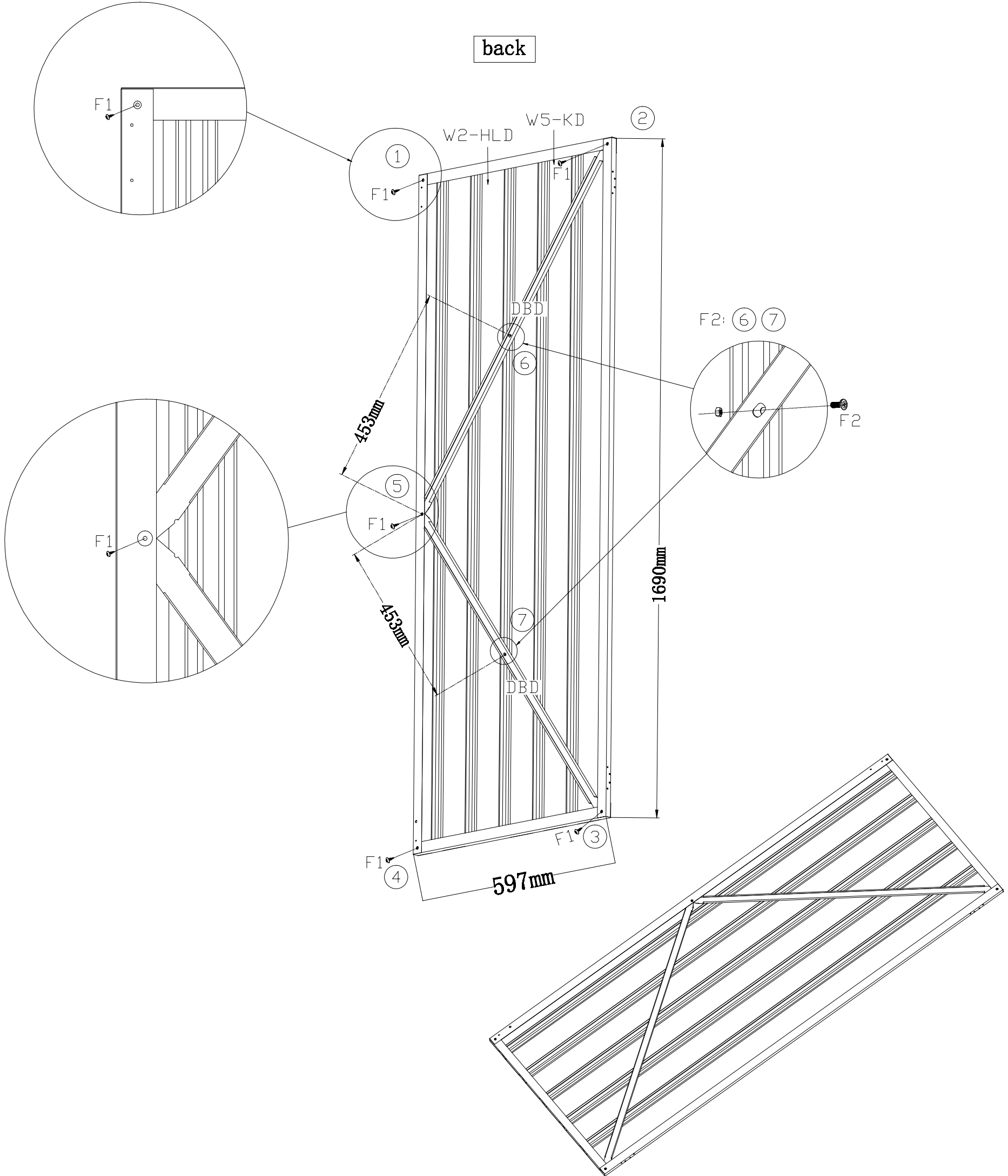
PART	NO.	QTY.
	W5-KD	1
	W2-HLD	1
	DAD	1
	DLAD	1
	DDA	2
	F1	4
	F2	2



Left door panel splicing

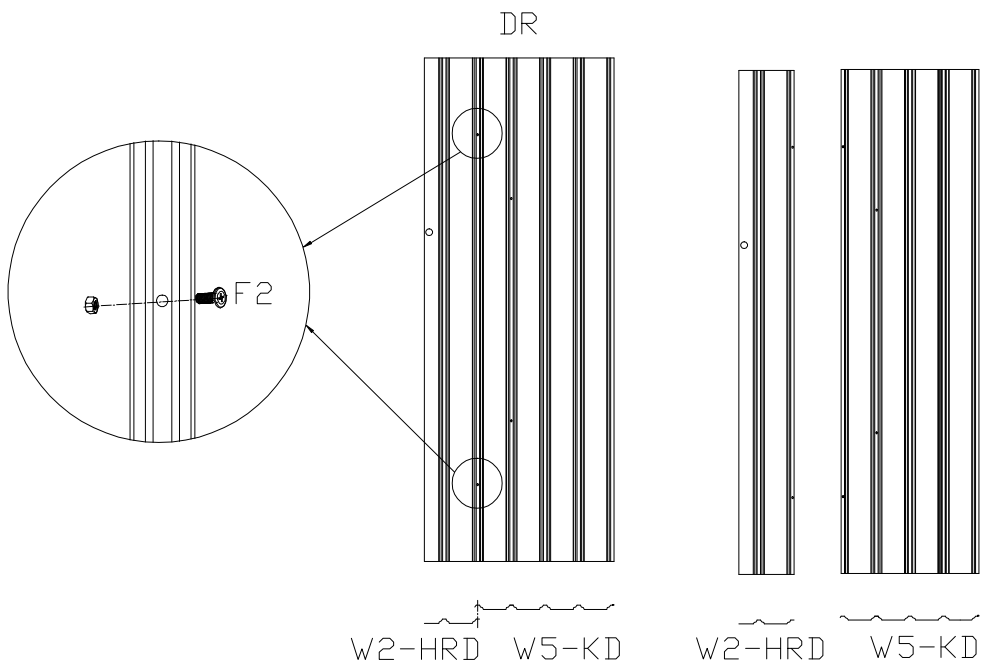
PART	NO.	QTY.
	DBD	2
	F1	5
	F2	2

F1: ① ② ③ ④ ⑤



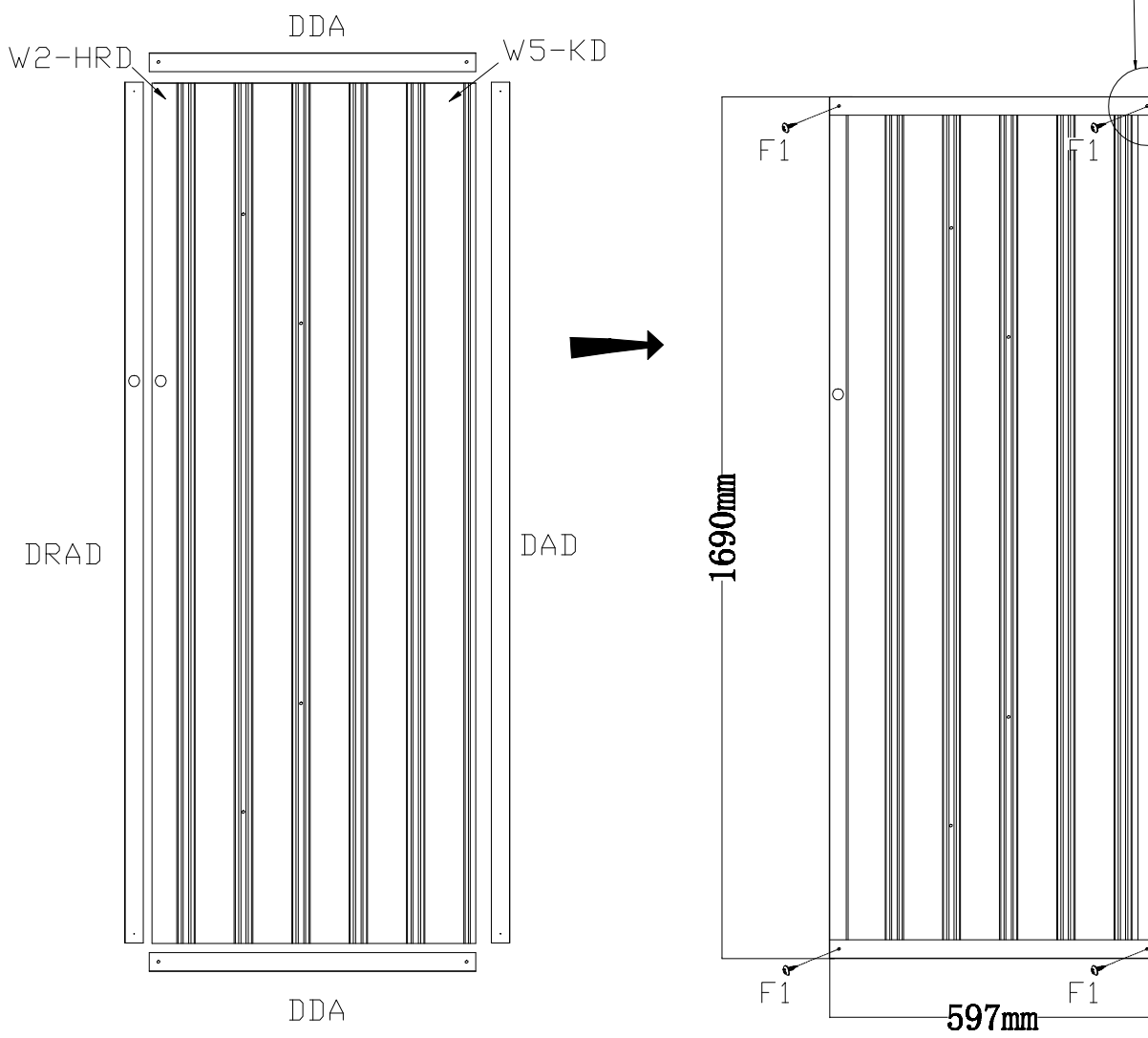
Attention: Installation sequence of screws ① → ② → ③ → ④ → ⑤ → ⑥ → ⑦

Right door panel splicing






PART	NO.	QTY.
	W5-KD	1
	W2-HRD	1
	DAD	1
	DRAD	1
	DDA	2
	F1	4
	F2	2

positive

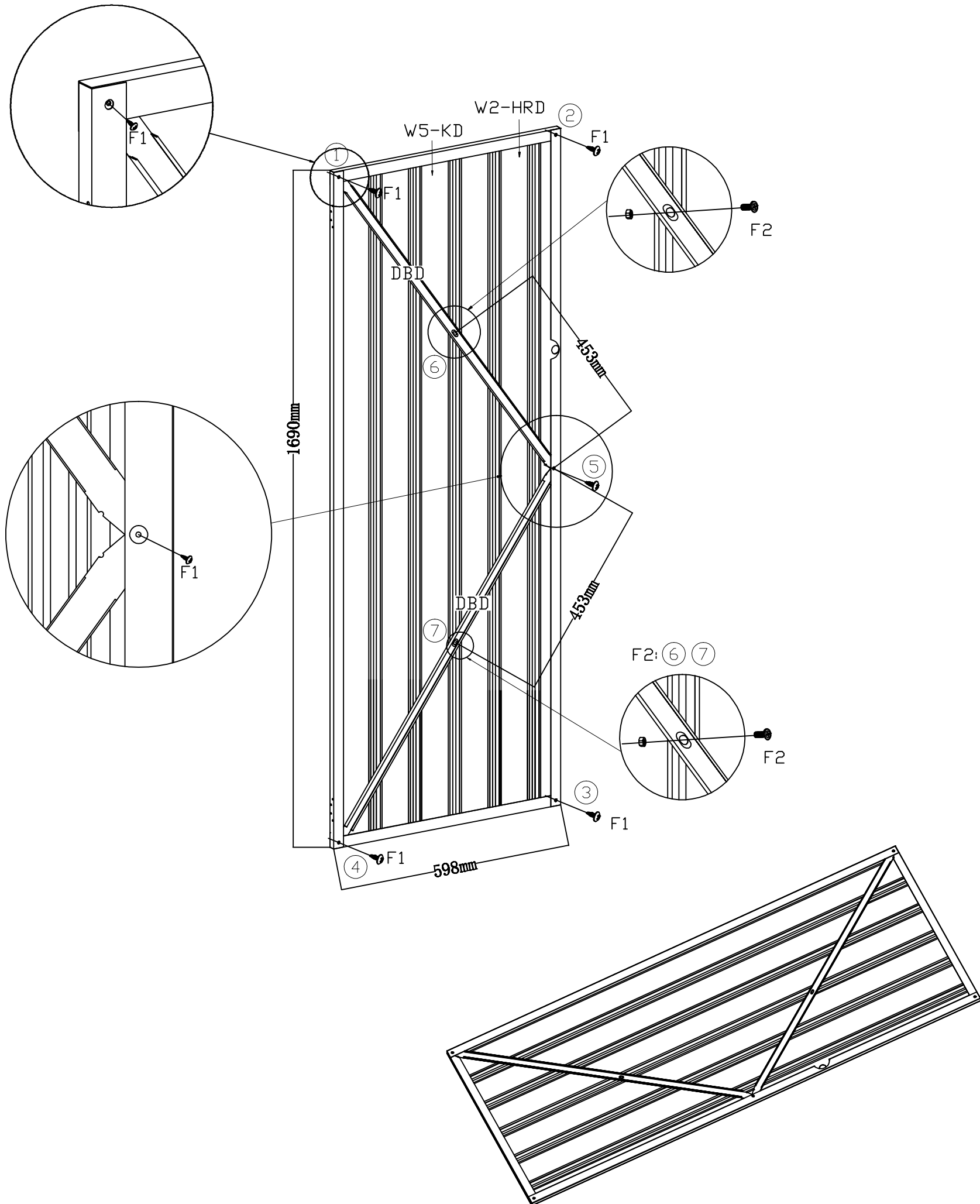


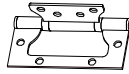
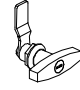
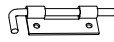


Right door panel splicing

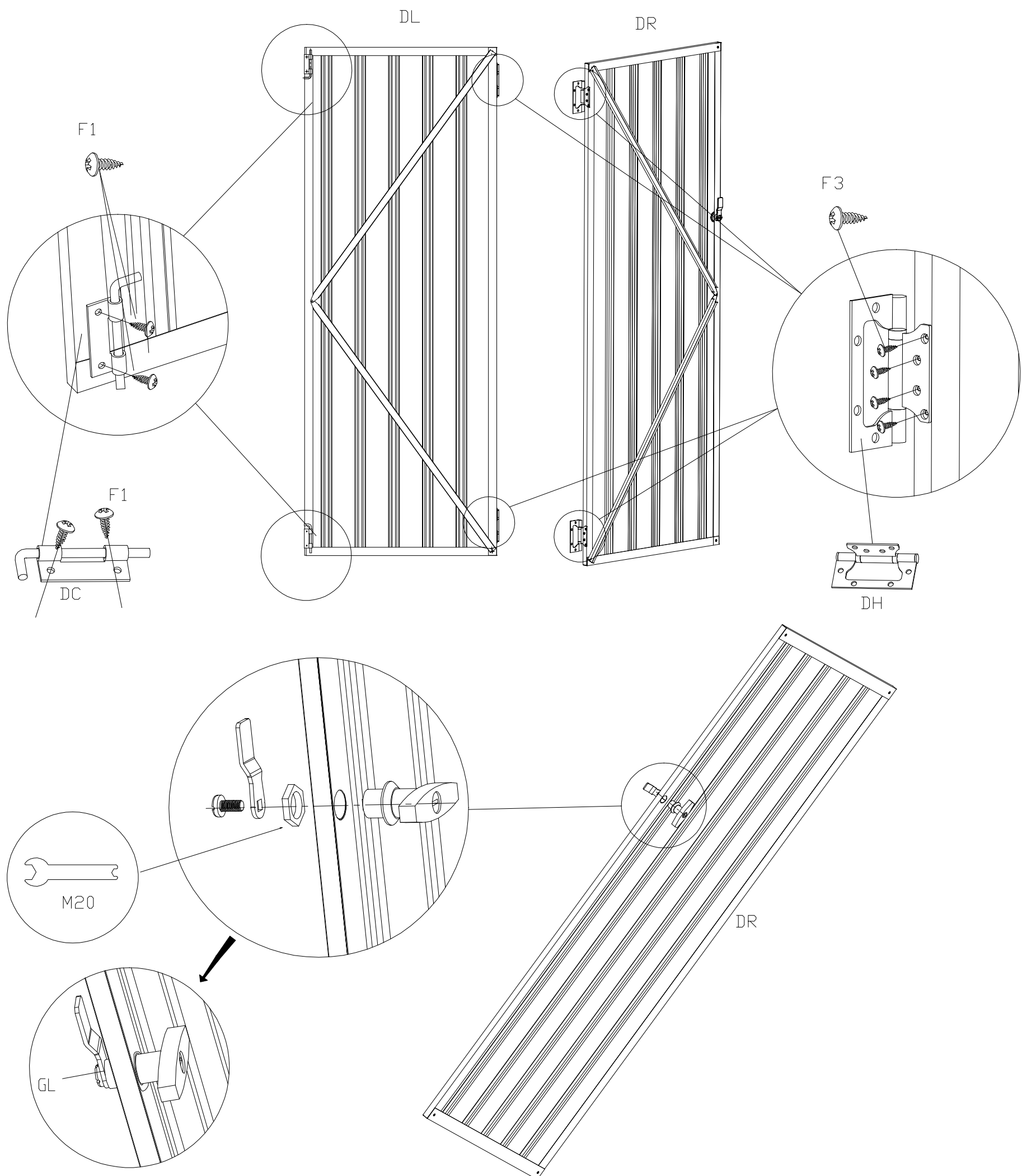
PART	NO.	QTY.
	DBD	2
	F1	5
	F2	2




Attention: Installation sequence of screws ① → ② → ③ → ④ → ⑤ → ⑥ → ⑦

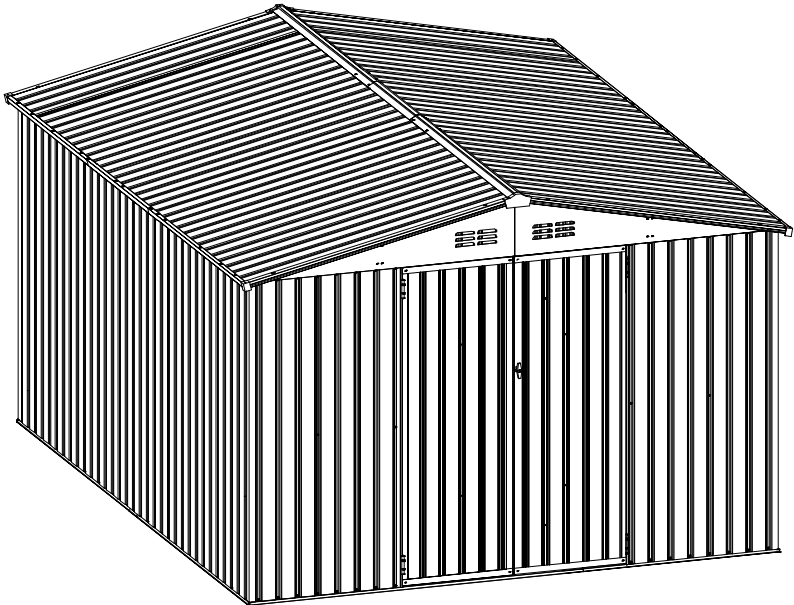
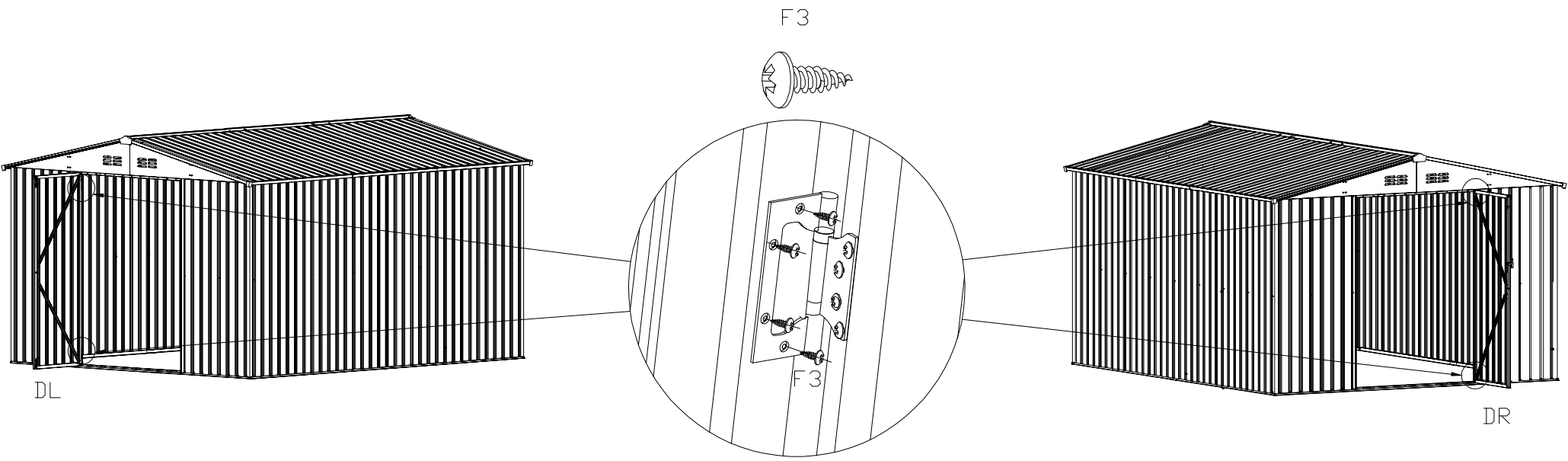
F1: ① ② ③ ④ ⑤

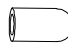


PART	NO.	QTY
	DH	4
	GL	1
	DC	2
	F3	16
	F1	4



PART	NO.	QTY.
	DL	1
	DR	1
	F3	16



PART	NO.	QTY.
	SL	82

The exposed part of the screws for assembling the upper crossbeam K812-6L/K812-6M/K812-6R with the top cover needs to be covered with a plastic protective cap.

The exposed part of the assembly screw of the upper crossbeam support rod K1012-11 needs to be covered with a plastic protective cap.

