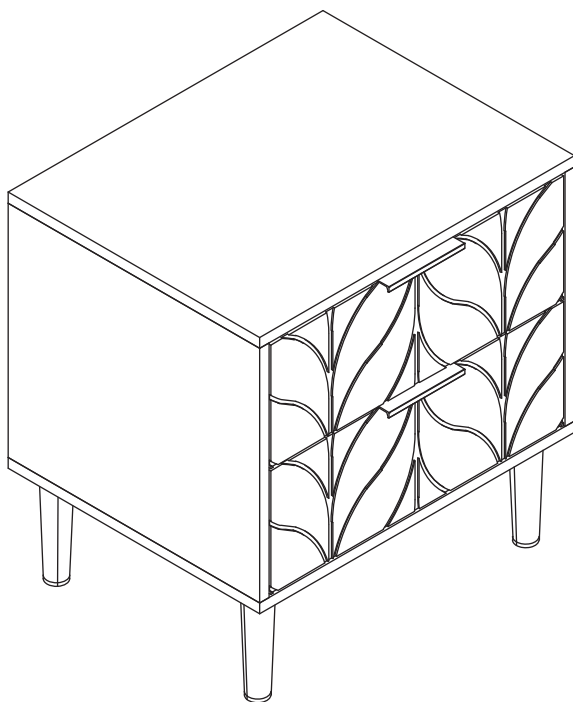


Instruction manual

Bedside Table



CONTENTS

Safety and care advice	1
Components	2
Assembly instructions	5
Copyright	13

⚠ SAFETY AND CARE ADVICE ⚠

PLEASE READ THESE INSTRUCTIONS CAREFULLY AND KEEP FOR FUTURE REFERENCE

- **Warning:** This unit weighs approximately 15.5kgs. Please lift with care.
- Check you have all the components and tools listed on pages 2 and 3.
- Remove all fittings from the plastic bags and separate them into their groups.
- Keep children and animals away from the work area, small parts could choke if swallowed.
- Make sure you have enough space to lay out the parts before starting.
- Do not stand or put weight on the product, this could cause damage.
- Assemble the item as close to its final position (in the same room) as possible.

- Assemble on a soft level surface to avoid damaging the unit or your floor (use opened out unit carton).



- We do not recommend the use of power drill/drivers **for inserting screws**, as this could damage the unit. Only use hand screwdrivers.
- Dispose of all packaging carefully and responsibly.

CARE AND MAINTENANCE

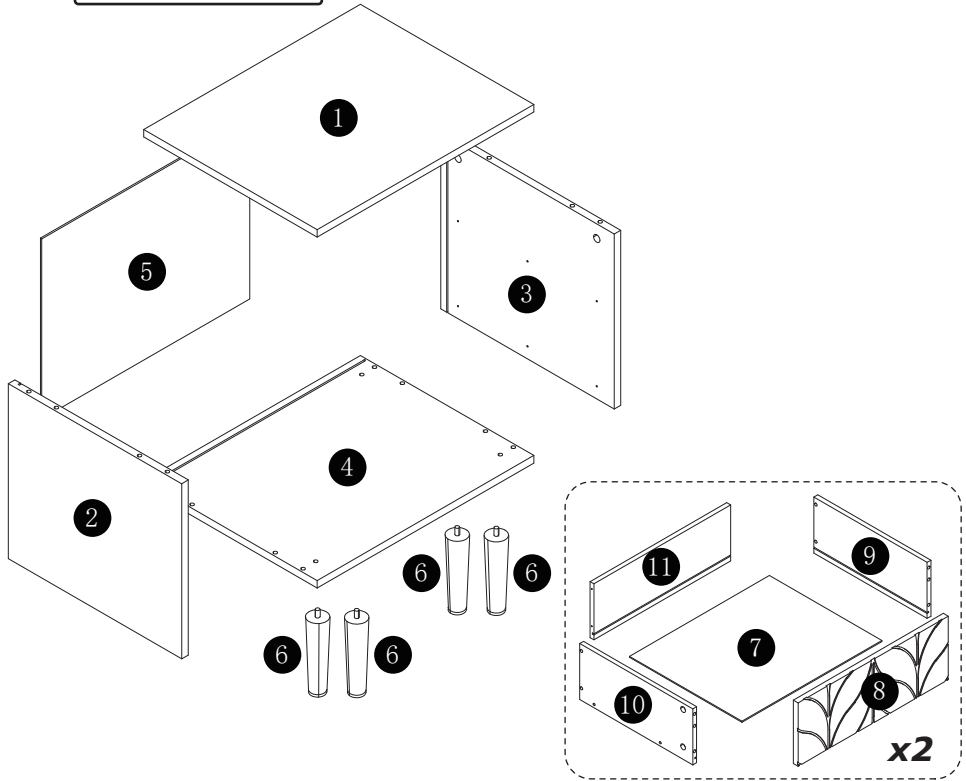
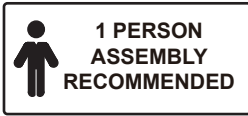
- Only clean using a damp cloth and mild detergent, do not use bleach or abrasive cleaners.
- From time to time check that there are no loose screws on this unit.

- This product should not be discarded with household waste. Take to your local authority waste disposal center.

Note *If required the next page can be cut out and used as reference throughout the assembly. Keep this page with these instructions for future reference.*

COMPONENTS

Please check you have all the panels listed below:

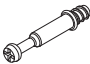

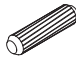


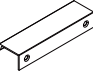

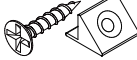
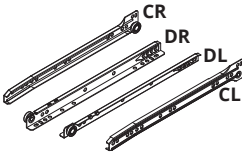


1	Top Panel	x1	7	Drawer Bottom Panel	x2
2	Left Side Panel	x1	8	Drawer Front Panel	x2
3	Right Side Panel	x1	9	Drawer Right Side Panel	x2
4	Bottom Panel	x1	10	Drawer Left Side Panel	x2
5	Back Panel	x1	11	Drawer Back Panel	x2
6	Standing Leg	x4			



COMPONENTS

Please check you have all the fittings listed below:

- A**  Metal Dowel x 12
- B**  Lock (Ø15x12mm) x 4
- C**  Lock (Ø15x9.5mm) x 8
- D**  Wooden Dowel (Ø8x30mm) x 12
- E**  Screw (Ø4x35mm) x 12
- F**  Screw (Ø3x12mm) x 4
- G**  Handle x 2
- H**  Screw (Ø3.5x12mm) x 16
- I**  Back Support x 8
- Q**  Drawer runner x 2

TOOLS NEEDED
(We don't provide)



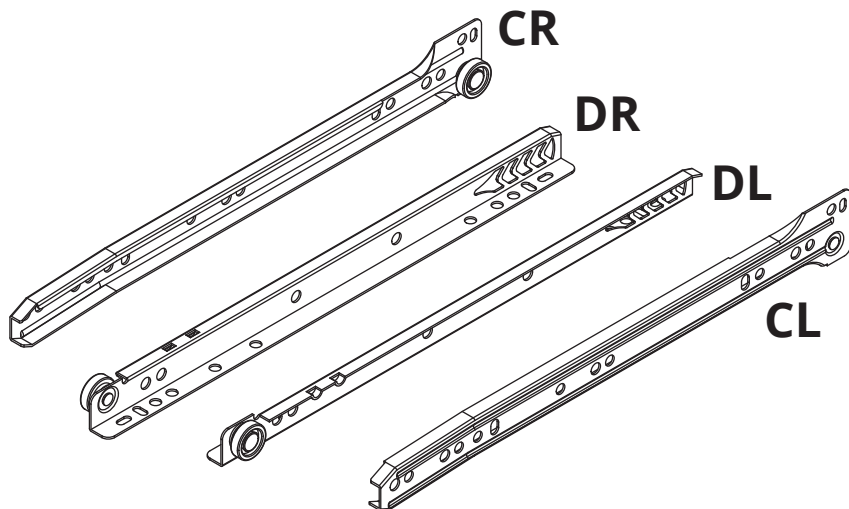
Phillips Screwdriver x 1



DRAWER RUNNER INSTRUCTION

△ IMPORTANT - Please read carefully - 1 Pair of drawer runners includes 4 pieces.

Part Q includes **CR\DR\DL\CL**.

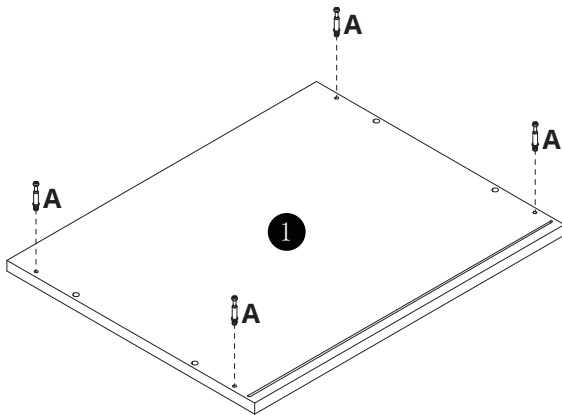


Fittings (not to scale)

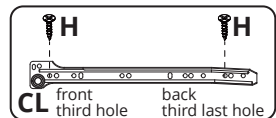
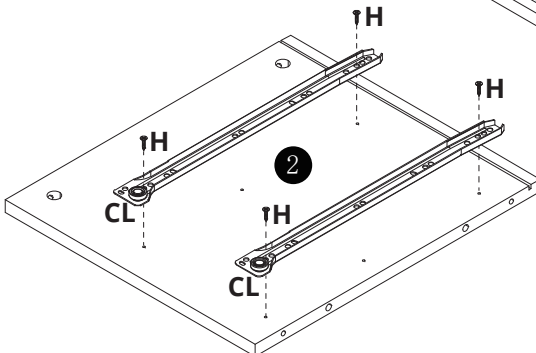
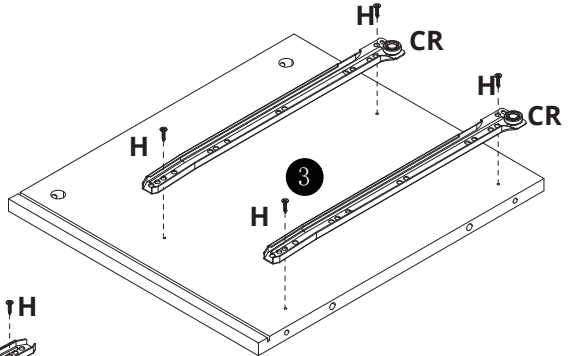
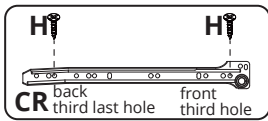
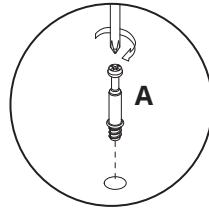
No.	Description	Qty	
CR	Outer Drawer Runner - Right	2	
CL	Outer Drawer Runner - Left	2	
DR	Inner Drawer Runner - Right	2	
DL	Inner Drawer Runner - Left	2	

ASSEMBLY INSTRUCTIONS

Step 1

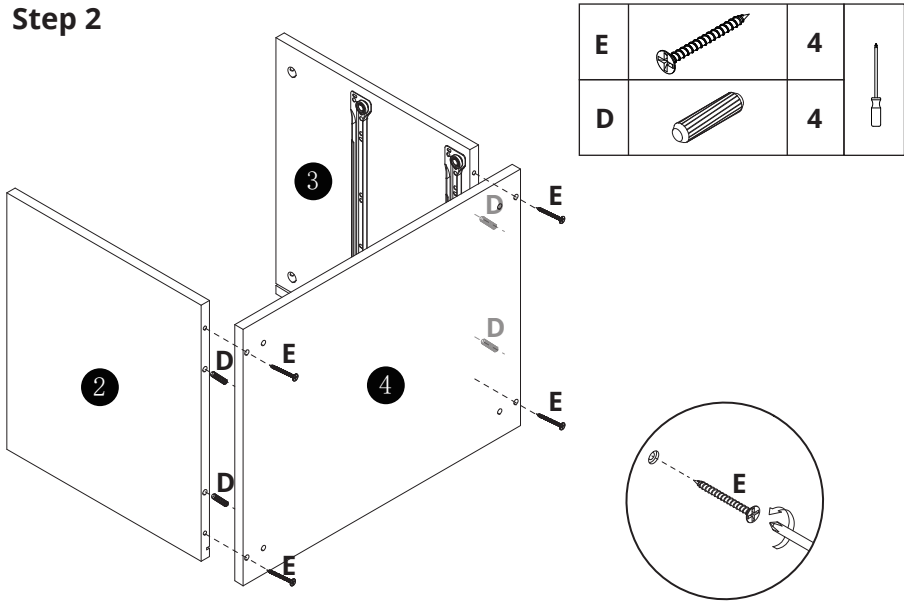


A		4	
H		8	
CR		2	
CL		2	

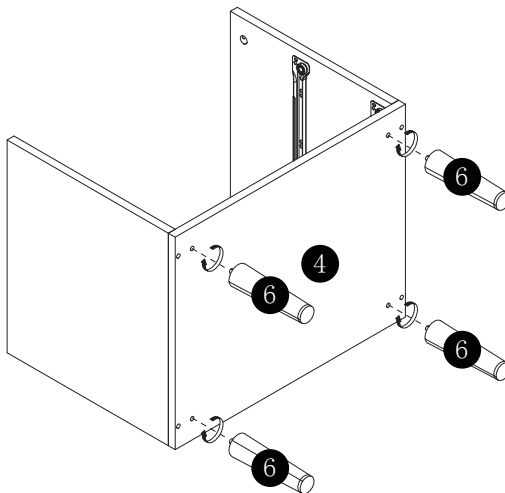


ASSEMBLY INSTRUCTIONS

Step 2

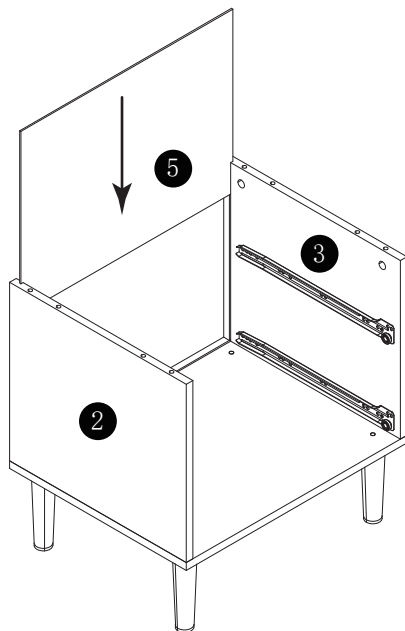


Step 3

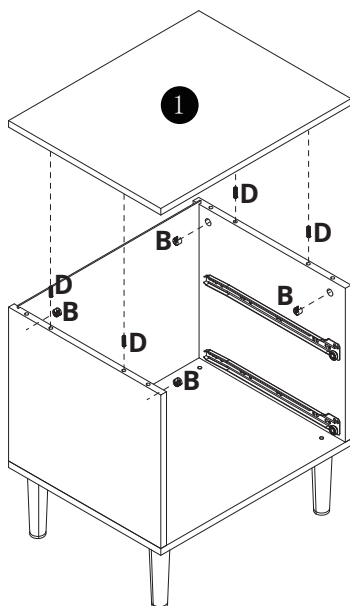





ASSEMBLY INSTRUCTIONS

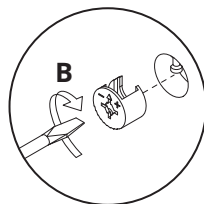
Step 4



Step 5

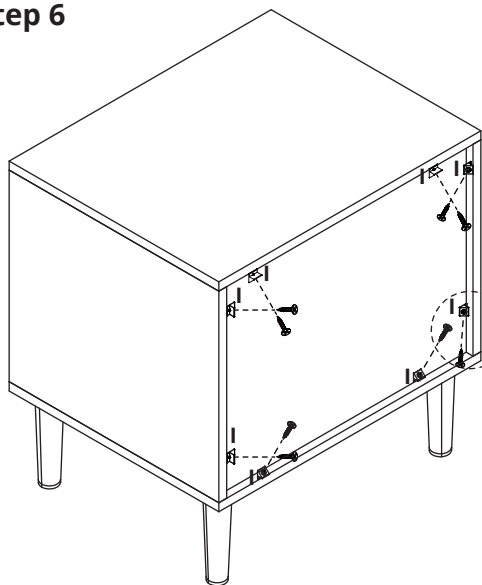


B		4	
D		4	



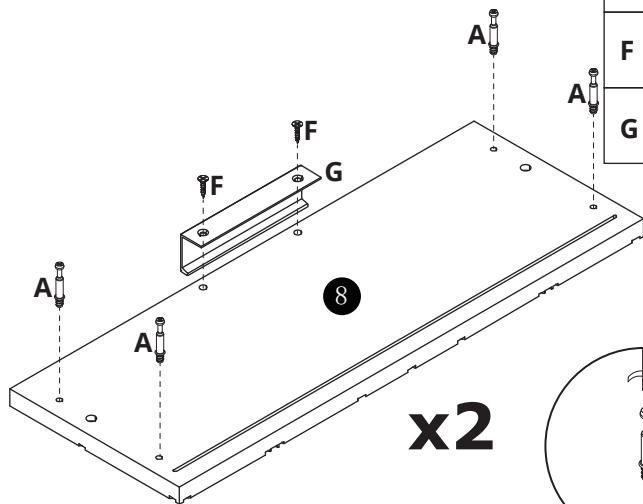
ASSEMBLY INSTRUCTIONS

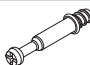


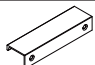
Step 6



I		8	
---	---	---	---

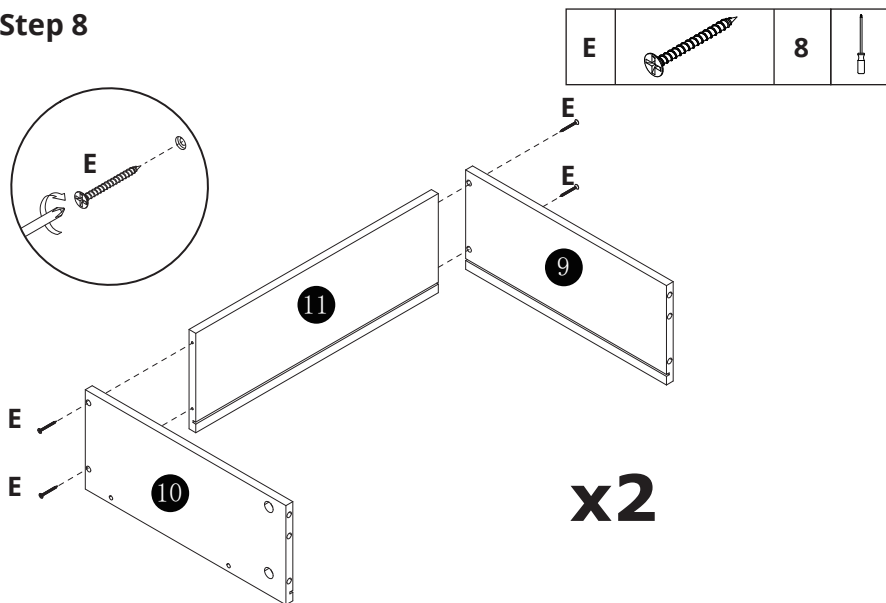
Step 7



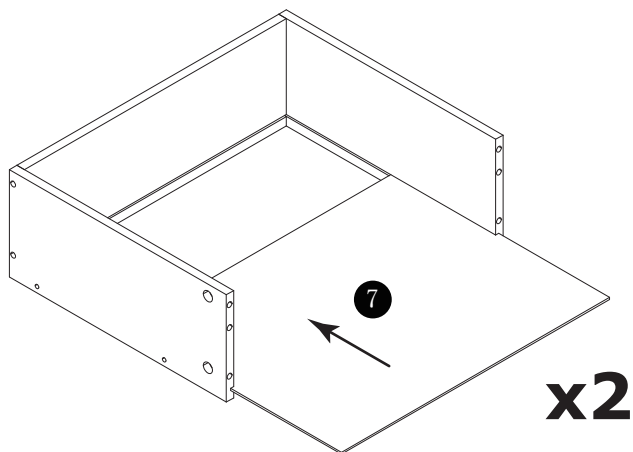
A		8	
F		4	
G		2	

ASSEMBLY INSTRUCTIONS

Step 8






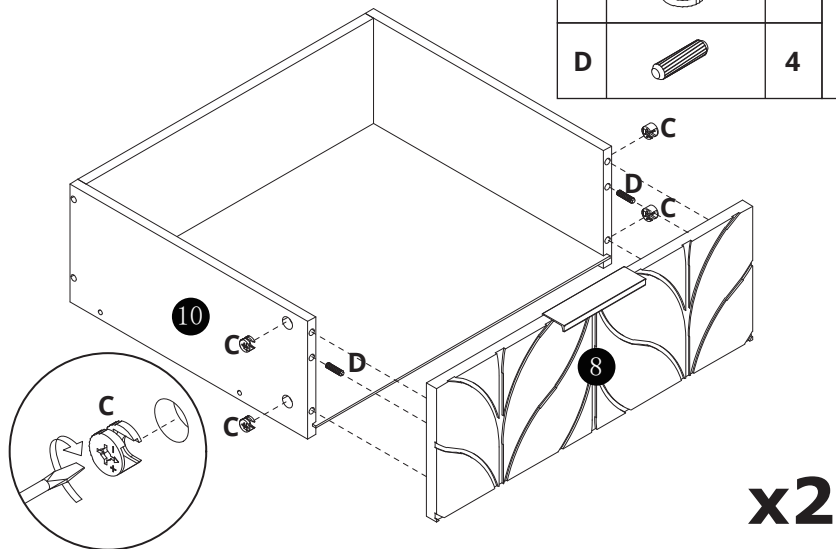
Step 9



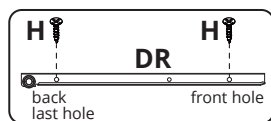
ASSEMBLY INSTRUCTIONS



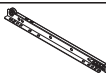

Step 10

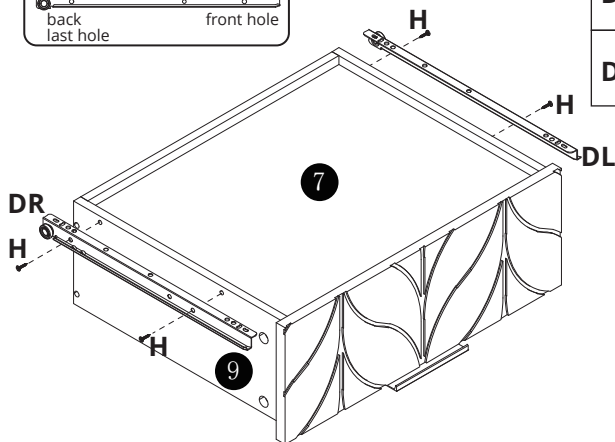
C		8	
D		4	



Step 11

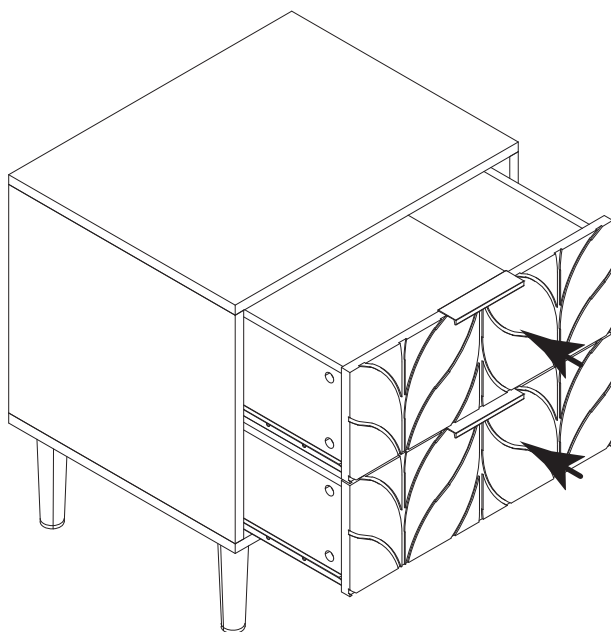


H		8	
DR		2	
DL		2	

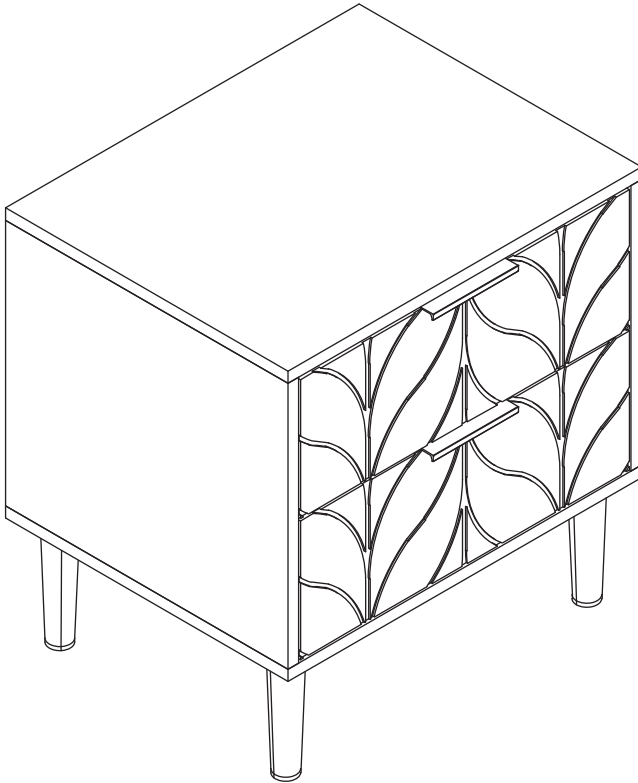


ASSEMBLY INSTRUCTIONS

Step 12



ASSEMBLY INSTRUCTIONS



Congratulations! Now you have finished assembling the product.