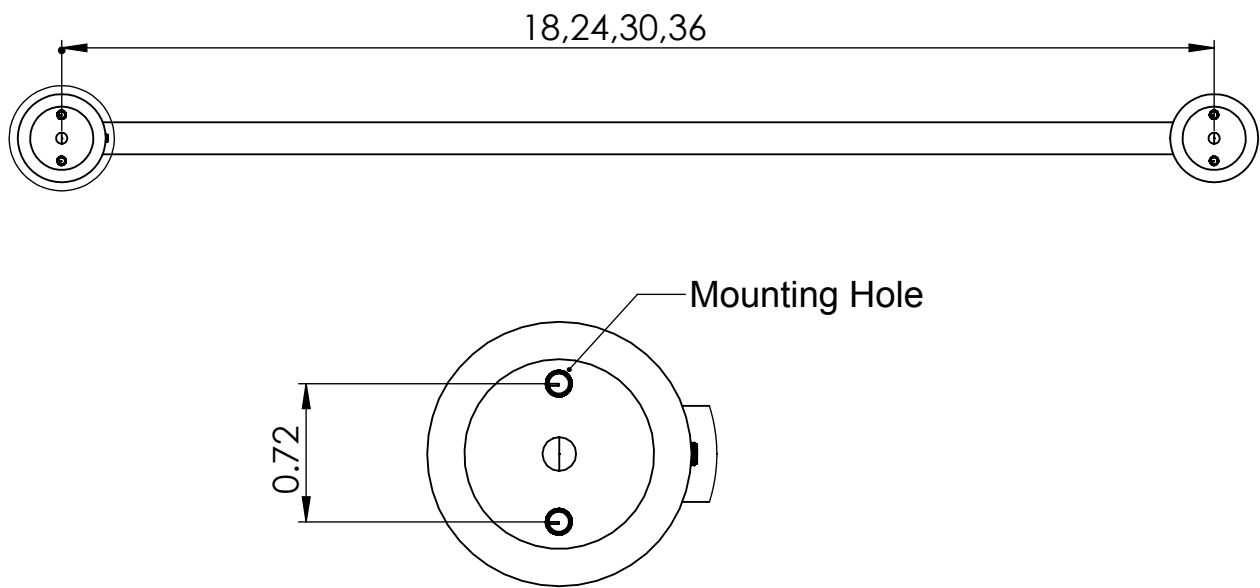


# INSTALLATION INSTRUCTIONS

## Step 1: Drill holes in Wall for Mounting Screw

Determine your desired location for installation and make a mark for the location of the mounting bracket. Make 4 marks where mounting screws will be placed as shown below. Make sure unit is level when marking for location of installation. Drill hole at each end of the marks.



## Step 2: Attach unit to mounting Surface

Screw down mounting bracket to wall. Then Insert unit to mounting brackets and then lock unit by set screw.

