

# ASSEMBLY INSTRUCTIONS

## Night Stand

Read this instruction carefully. See hardware and furniture part list for guidance. Be sure all parts are complete, before you assemble. Place all wooden furniture parts on a clean and flat soft surface to prevent from being scratched. Follow the figure to start assembling.

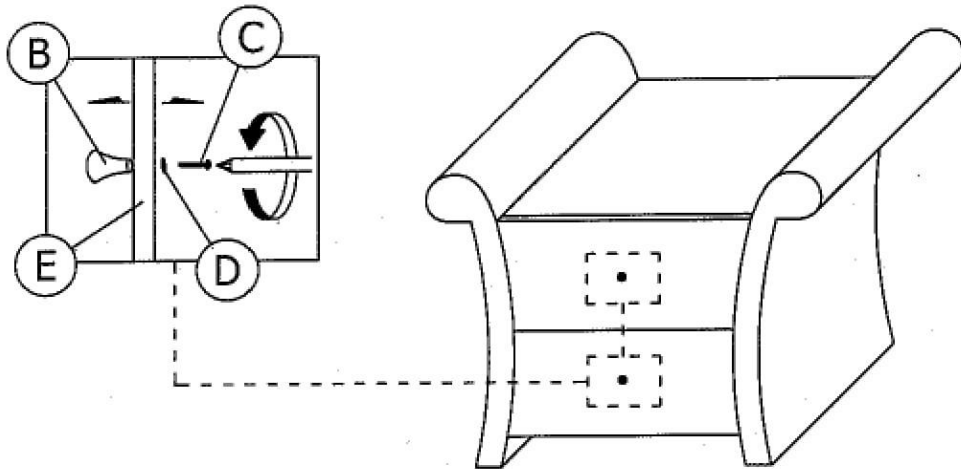
**CAUTIONS :** 1. Do not FULLY - TIGHTEN the nut or nut bolt until all nut or bolt is ready assembled.  
2. Do not OVER - TIGHTEN the nut or bolt to avoid causing damages to the thread.  
3. Keep all hardware parts out of reach of children.

**NOTE :** THE LIST AND QUANTITY SHOWN ARE FOR 1 UNIT ASSEMBLY.

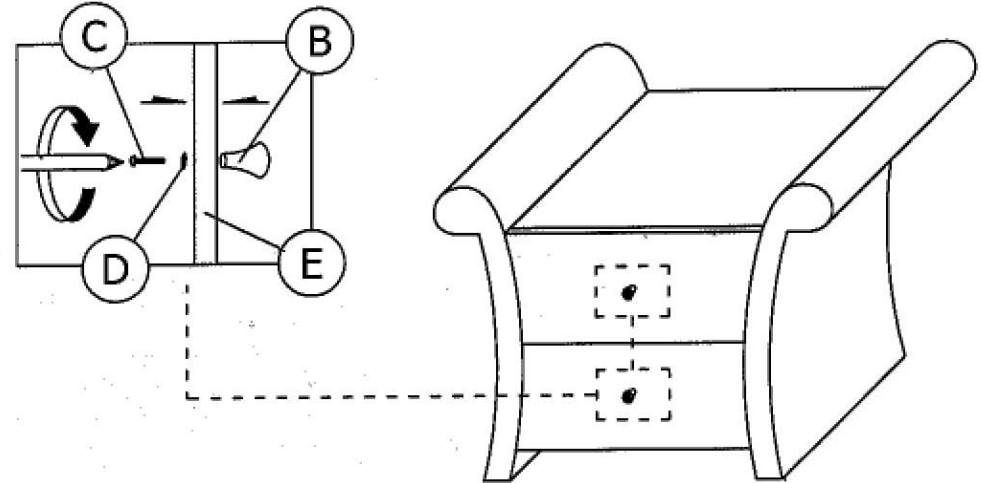
PART LIST		
ITEM	DESCRIPTION	QTY
A	NIGHT STAND	1 PC
B	HANDLE	2 PCS
C	HANDLE SCREW	2 PCS
D	FLAT WASHER	2 PCS
E	DRAWER	2 PCS

PART LIST		
ITEM	DESCRIPTION	QTY
1	-	-

### STEP 1



### STEP 2



### STEP 3

