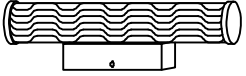
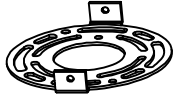


PART LIST

NO	①	②	
COMPONENT			
QUANTITY	1	1	

NO				
COMPONENT				
QUANTITY				

INSTALLATION & MOUNTING INSTRUCTIONS

