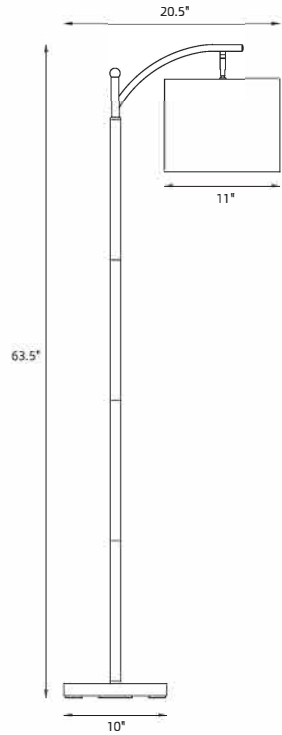


Industrial Floor Lamp



SPECIFICATIONS

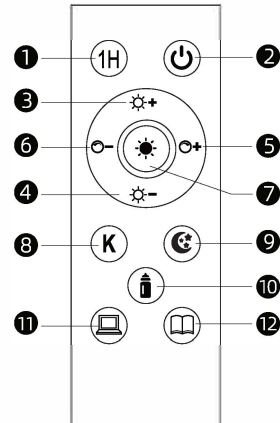
Model	A
Material	Metal, Fabric
Input Voltage	AC120V, 60Hz
Lamp Socket	E26 (Max. 60W)
Light Bulb	A19 LED Bulb (INCL)
Switch Type	Foot Switch & Remote Control

SAFETY INSTRUCTIONS

1. Please read the instruction manual before using the lamp.
2. To ensure the longer life, please do not install near heat, corrosive or damp place.
3. Installation at the point that no shock, momentum and fire. Do not let it fall from high place and avoid a crash.
4. Before cleaning, make sure that the lamp is disconnected from the power supply.
5. Before using the lamp, please check if the lamp is damaged during transport. If the lamp has shown any damage, do not use or install the lamp. Please do not disassemble or repair the lamp yourself.

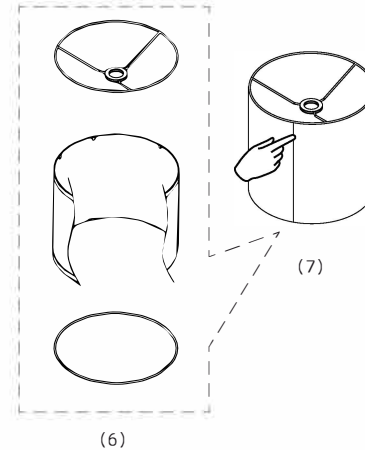
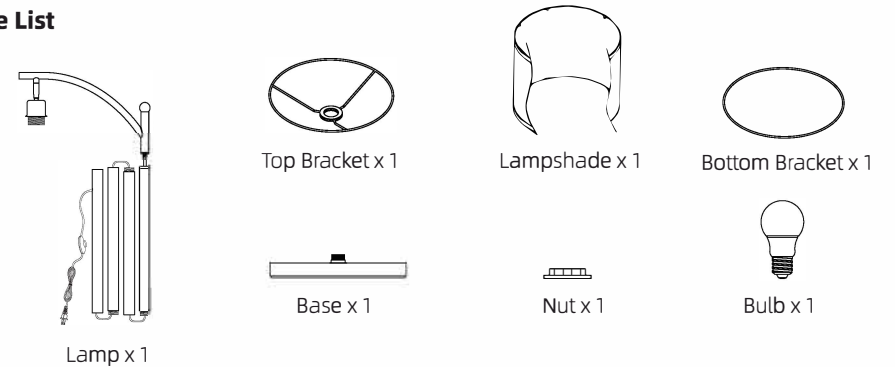
REMOTE CONTROL BULB INSTRUCTIONS FOR USE

1. Install the bulb to the floor lamp, and insert the batteries into the remote control.
 2. Depress the foot switch gently to turn on the floor lamp.
 3. Control the bulb with remote control.
- NOTE:** To control the bulb by remote control, you must plug the floor lamp into the power supply first, then keep the foot switch in the ON state by depressing it gently.



- 1 **Auto-off after 1H:** The bulb flashes once after pressing it, indicating enter the 1-Hour Timer mode; it will automatically exit the timer function if the timer is switched on/off with a foot switch, plug or remote control during the timer period.
- 2 **ON/OFF:** Turn the bulb ON/OFF.
- 3 **Brightness +:** Press the button to increase the brightness, 5 levels in total.
- 4 **Brightness -:** Press the button to decrease the brightness, 5 levels in total.
- 5 **Color temperature +:** Press the button to increase the color temperature, 5 levels in total.
- 6 **Color temperature -:** Press the button to decrease the color temperature, 5 levels in total.
- 7 **Max Brightness Button:** No matter which color temperature is set, press this button once to adjust the brightness to 100% at this color temperature.
- 8 **3 color temperature modes:** Press the button to cycle through the 3 common color temperature modes.
- 9 **Night Light Mode:** Press the button to enter Night Light Mode.
- 10 **Breastfeed Mode:** Press the button to enter Breastfeed Mode.
- 11 **Office Mode:** Press the button to enter Office Mode.
- 12 **Reading Mode:** Press the button to enter Reading Mode.

Package List



INSTALLATION INSTRUCTIONS

Please check the accessories of the floor lamp carefully before installation.

INSTALLATION STEPS AS FOLLOWING:

- (1) Connect the straight tube and the lamp holder tube.
- (2)-(4) Connect the straight tube to another straight tube.
- (5) Connect the straight tube to the base.
- (6) Clip the bracket to the lampshade.
- (7) Put the Velcro at both ends of the lampshade together.
- (8) Install the assembled lampshade to the lamp holder.
- (9) Lock the lampshade on the lamp holder with the lamp nut.
- (10) Install the bulb to finish the assembling.

