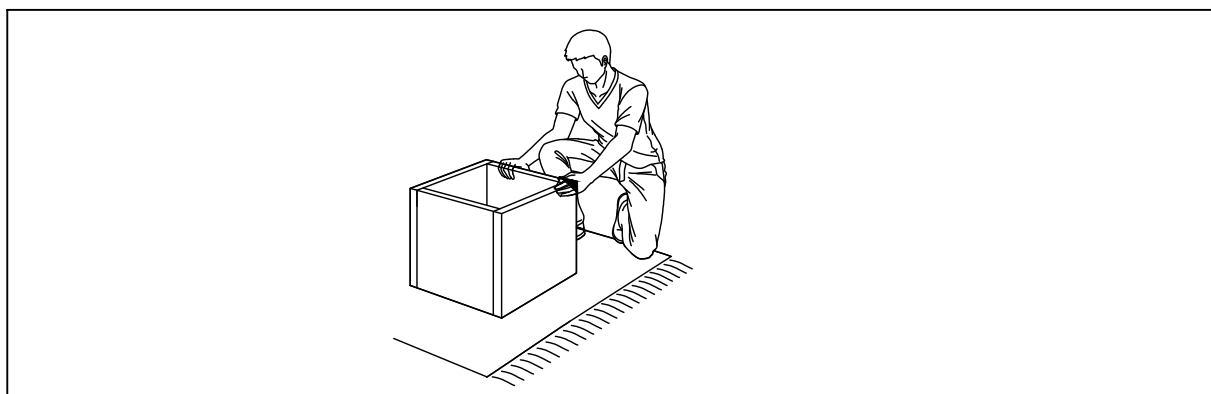
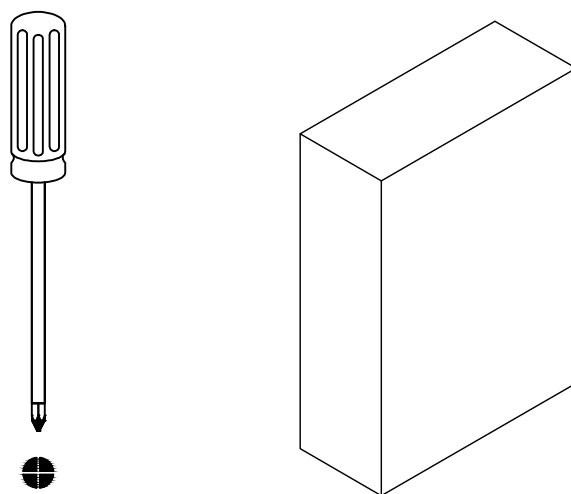
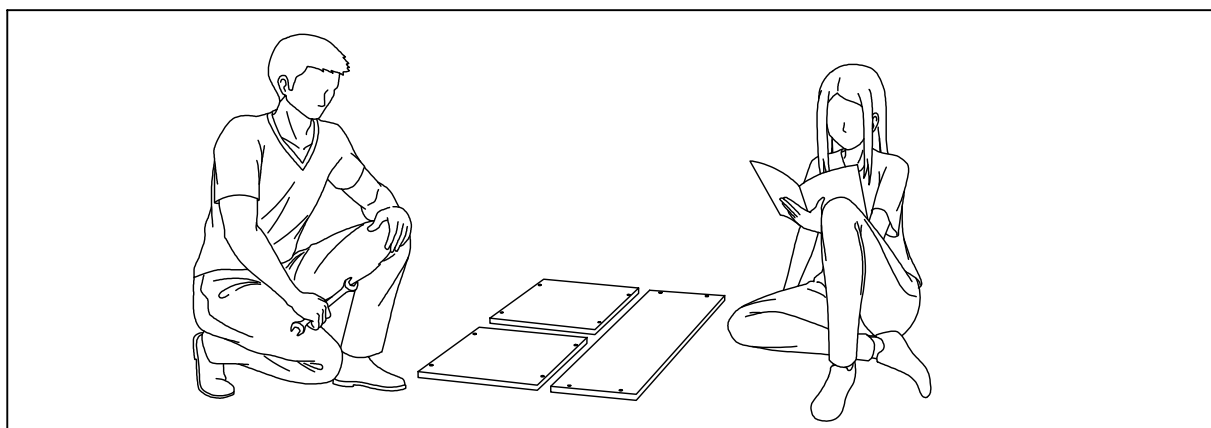




# **ASSEMBLY INSTRUCTIONS**

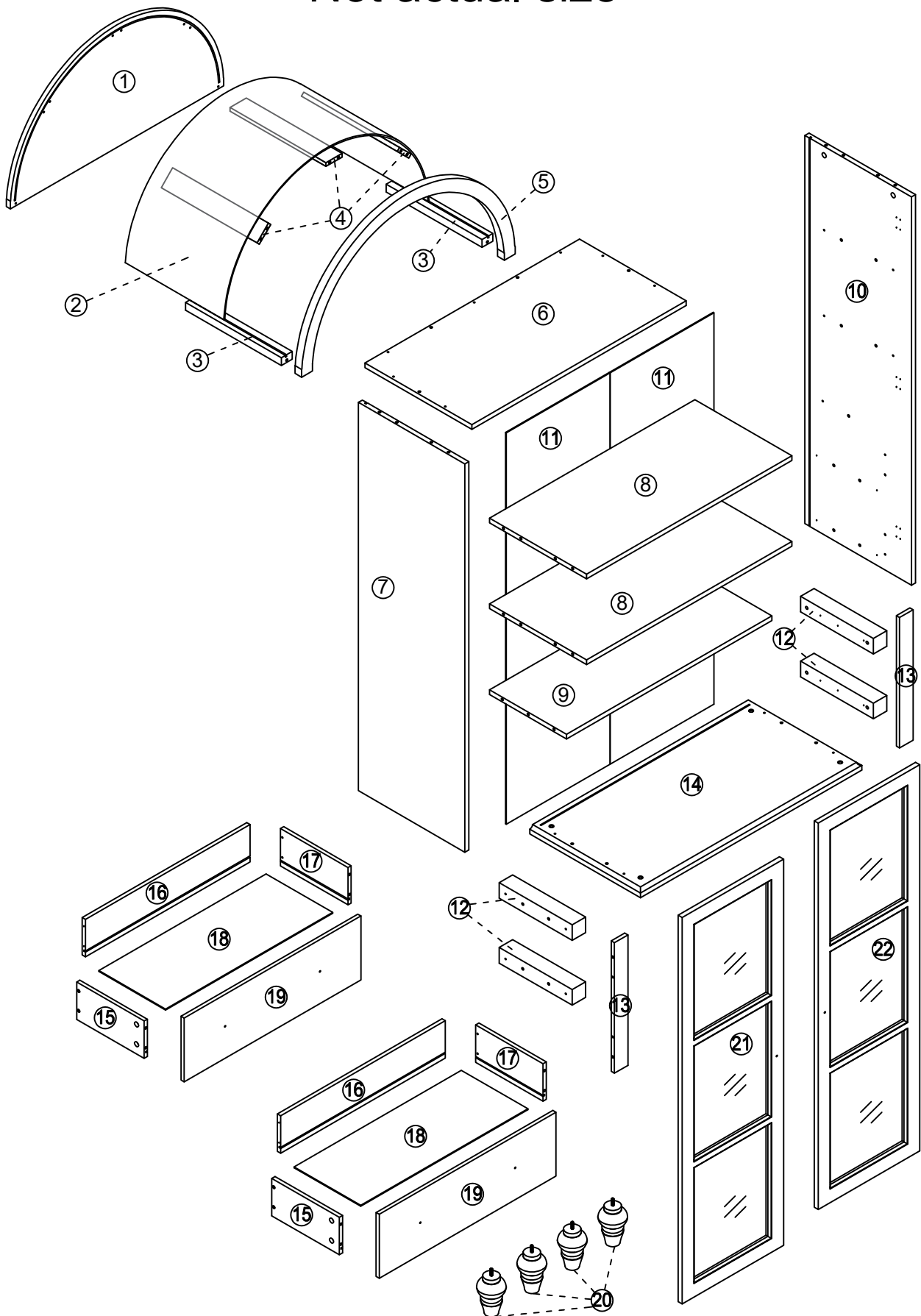


Assemble the furniture on empty carton, carpet, or rug to prevent scratches or damage.

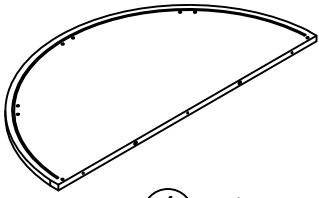


This furniture requires 2 people to assembly.  
Make sure no parts are missing or damaged before assembly.

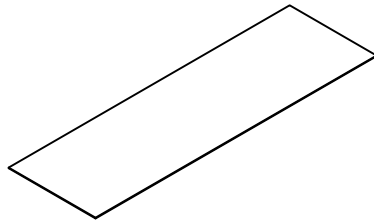
Not actual size



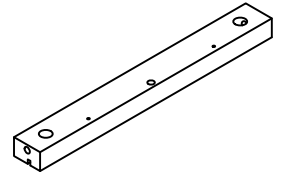
Not actual size



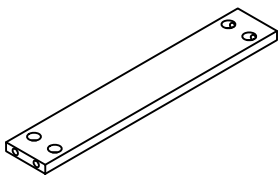
① X1



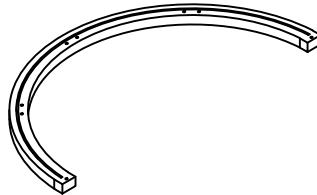
② X1



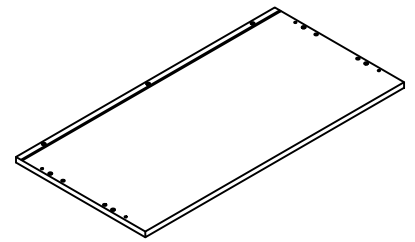
③ X2



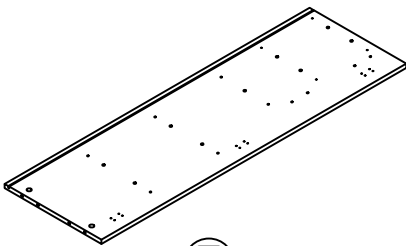
④ X3



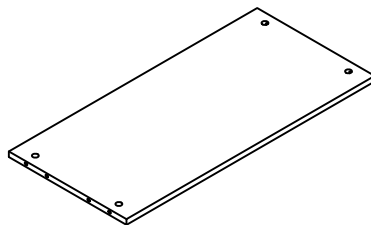
⑤ X1



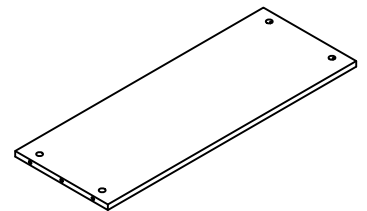
⑥ X1



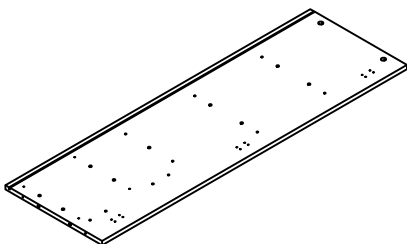
⑦ X1



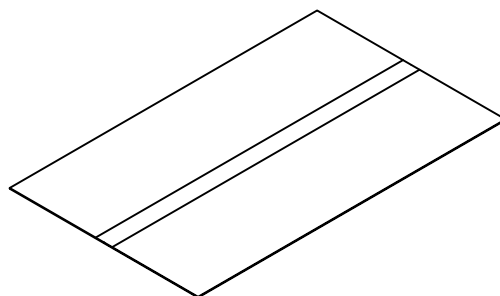
⑧ X2



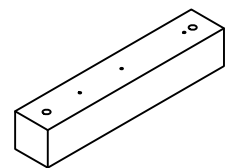
⑨ X1



⑩ X1

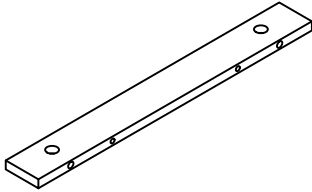


⑪ X1

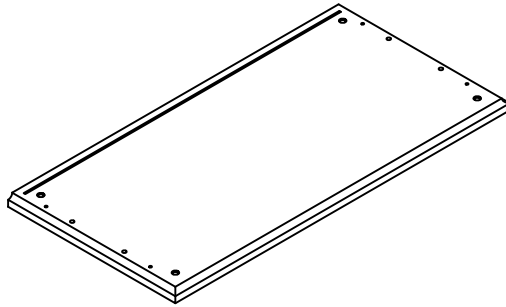


⑫ X4

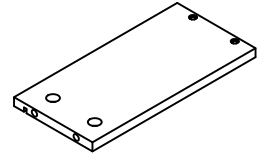
Not actual size



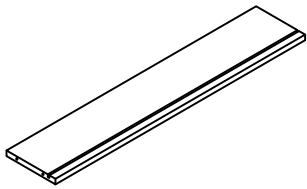
⑬ X2



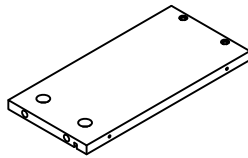
⑭ X1



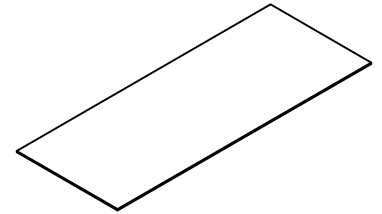
⑮ X2



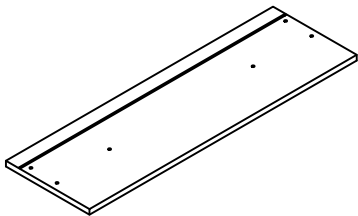
⑯ X2



⑰ X2



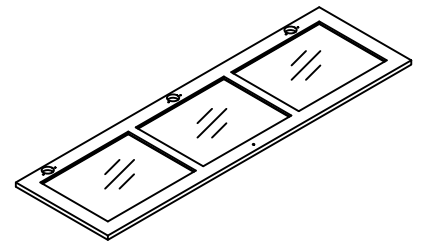
⑱ X2



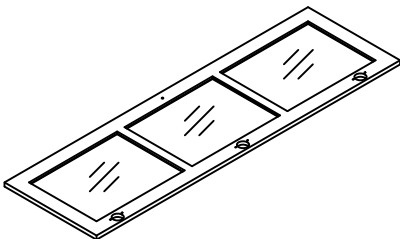
⑲ X2



⑳ X4

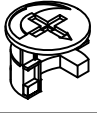


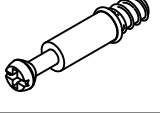
㉑ X1




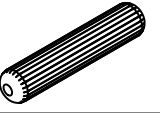
㉒ X1

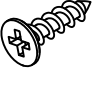
# Not actual size


|   |       |
|---|-------|
| (A)   | X44+3 |
|  |       |
| ø15*9.5   |       |

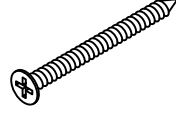
|   |       |
|---|-------|
| (B)   | X44+3 |
|  |       |
| ø6.5*35   |       |


|  |       |
|--|-------|
| (C)  | X30+3 |
|  |       |
| ø8*30  |       |

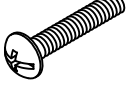
|   |      |
|---|------|
| (D)   | X4+1 |
|  |      |
| ø6*30   |      |

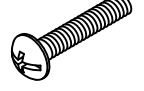
|   |       |
|---|-------|
| (E)   | X56+3 |
|  |       |
| ø3.5*14   |       |

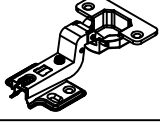
|   |       |
|---|-------|
| (F)   | X15+2 |
|  |       |
| ø4*35   |       |

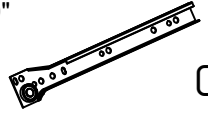
|  |       |
|--|-------|
| (G)  | X12+2 |
|  |       |
| ø4*50  |       |

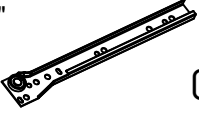
|   |    |
|---|----|
| (H)   | X6 |
|  |    |
| ø25*ø44*48  |    |

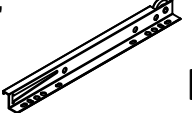
|   |      |
|---|------|
| (I)   | X4+1 |
|  |      |
| M4*16   |      |

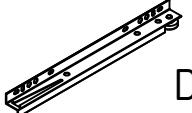
|   |      |
|---|------|
| (J)   | X2+1 |
|  |      |
| M4*19   |      |


|  |    |
|--|----|
| (K)  | X6 |
|  |    |
| ø35  |    |

|   |    |
|---|----|
| (L)   | X2 |
| 10"<br> CL |    |
| L=250   |    |

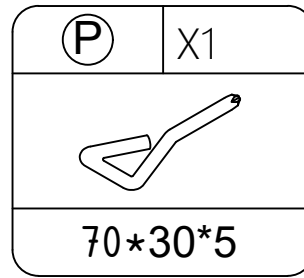
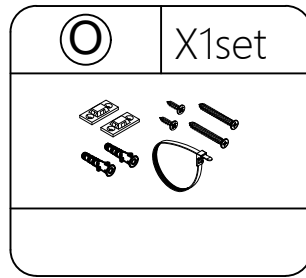
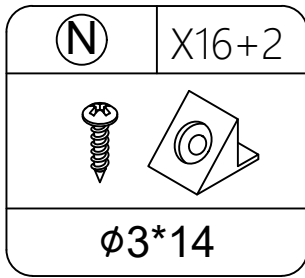
|   |    |
|---|----|
| (L)   | X2 |
| 10"<br> CR |    |
| L=250   |    |

|   |    |
|---|----|
| (L)   | X2 |
| 10"<br> DL |    |
| L=250   |    |

|  |    |
|--|----|
| (L)  | X2 |
| 10"<br> DR |    |
| L=250  |    |

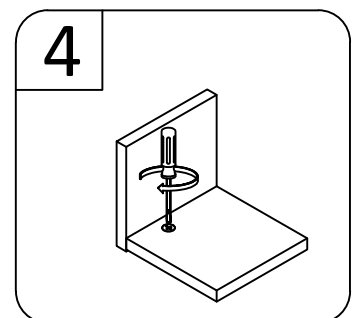
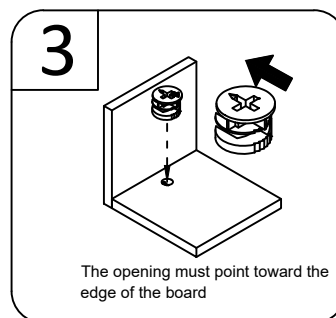
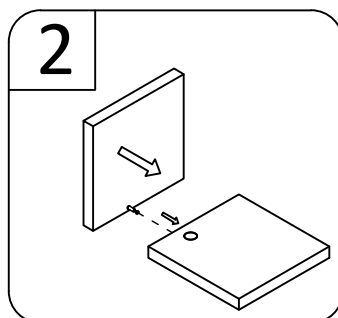
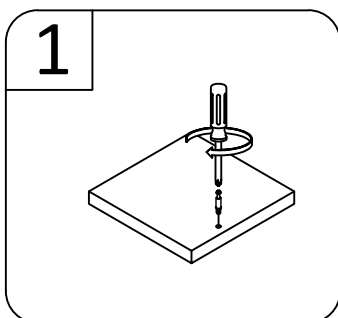
|   |       |
|---|-------|
| (M)   | X18+2 |
|  |       |
| ø21   |       |

Not actual size

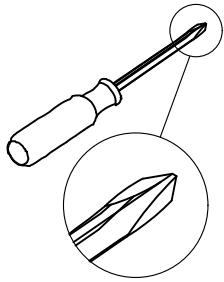


## Cam Lock Fastening System

Insert the cam bolt into the hole first, then insert the cam lock and lock it.



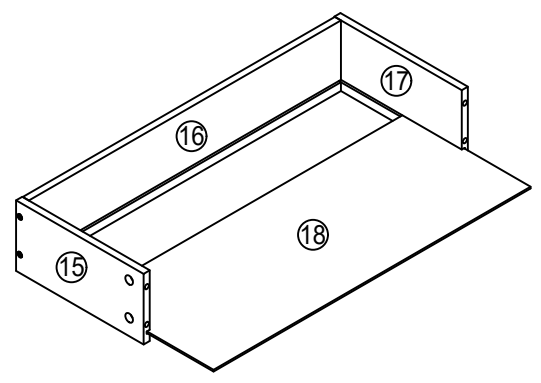
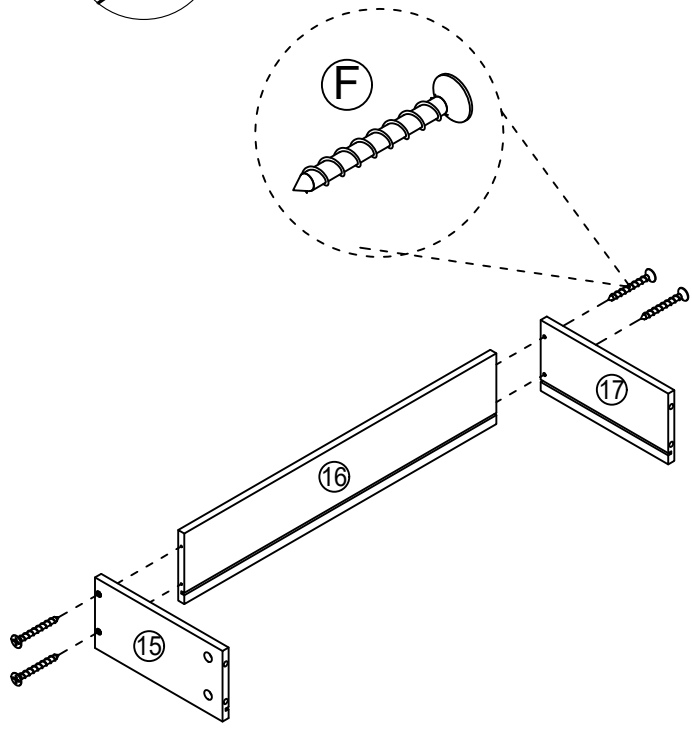
# STEP 1



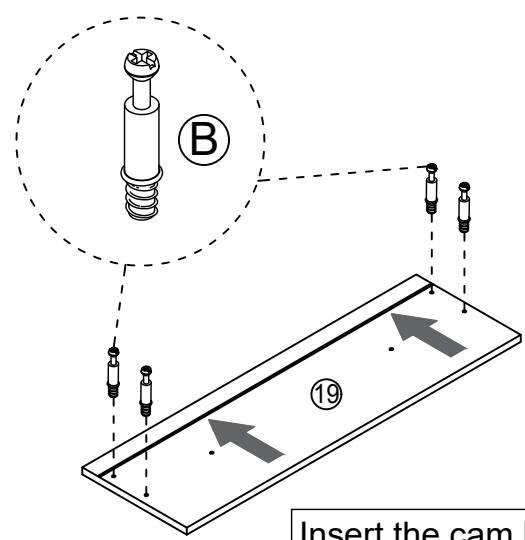
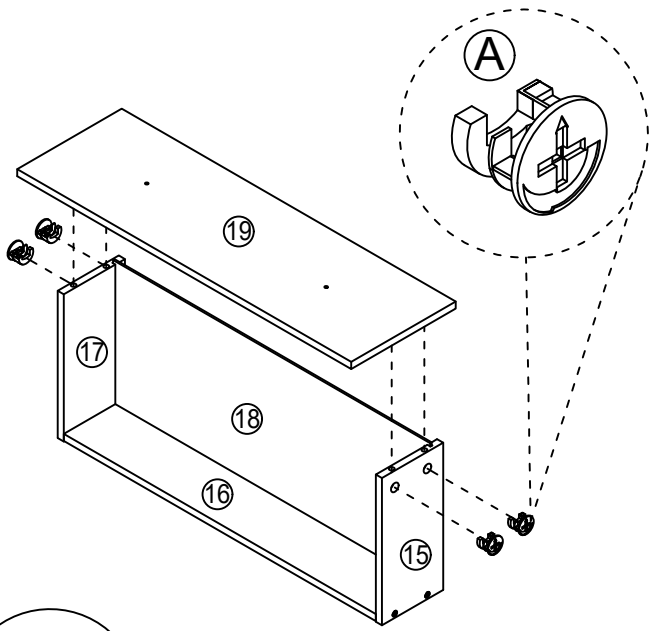
|                      |    |
|----------------------|----|
| (A)                  | X8 |
|                      |    |
| $\phi 15 \times 9.5$ |    |

|                      |    |
|----------------------|----|
| (B)                  | X8 |
|                      |    |
| $\phi 6.5 \times 35$ |    |

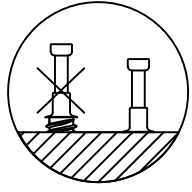
|                    |    |
|--------------------|----|
| (F)                | X8 |
|                    |    |
| $\phi 4 \times 35$ |    |



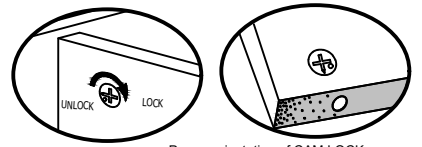
Step 1    Step 2  
Step 4    Step 3



Insert the cam bolt into the hole first, then insert the cam lock and lock it.

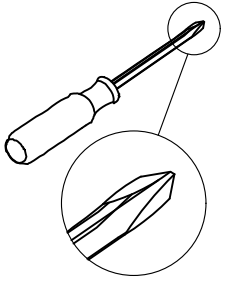


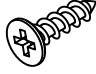
# X2

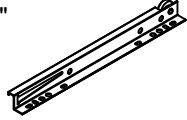


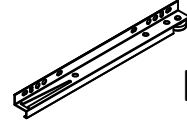
Proper orientation of CAM LOCK

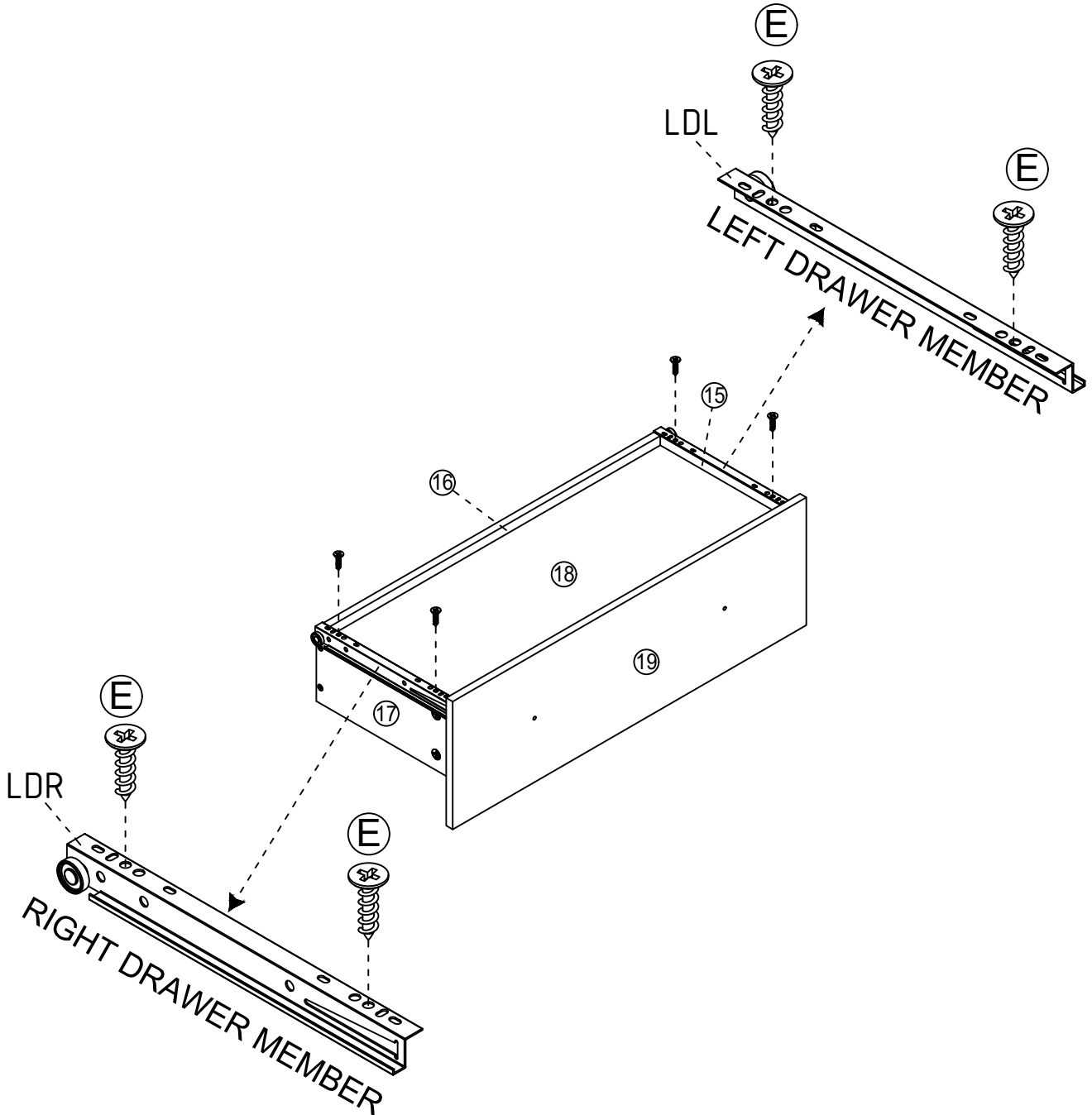
# STEP 2



|   |    |
|---|----|
| (E)   | X8 |
|  |    |
| ø3.5*14   |    |

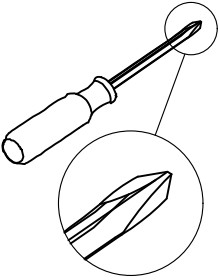
|       |  |
|-------|--|
| (L)   | X2   |
| 10"   |  |
| DL    |  |
| L=250 |  |

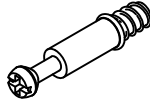
|       |   |
|-------|---|
| (L)   | X2  |
| 10"   |  |
| DR    |   |
| L=250 |   |

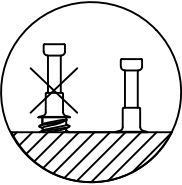
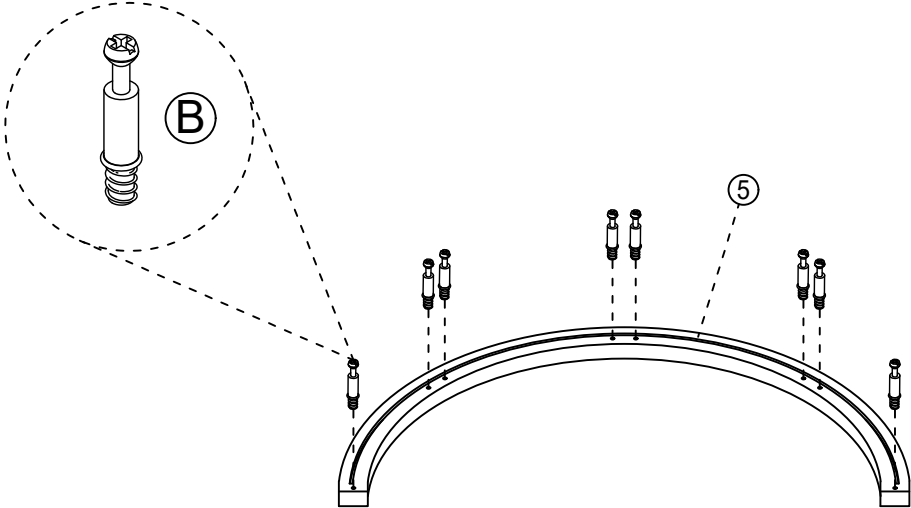
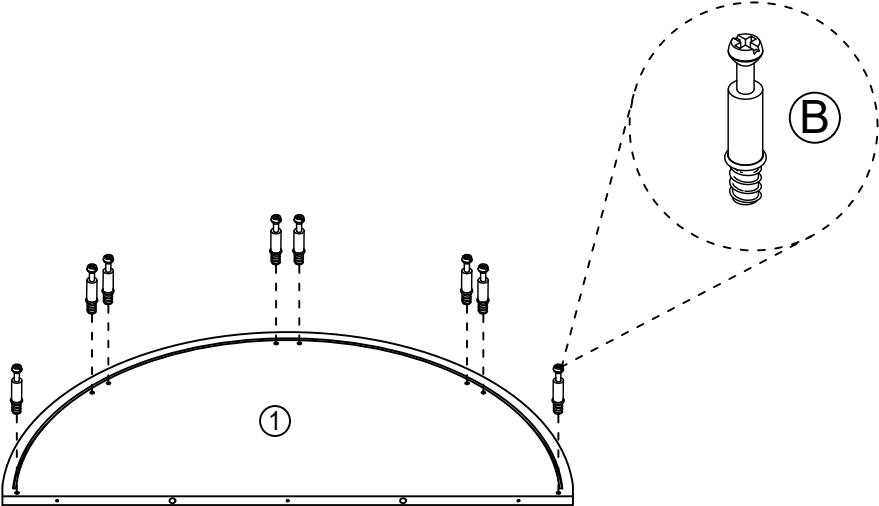


# X2

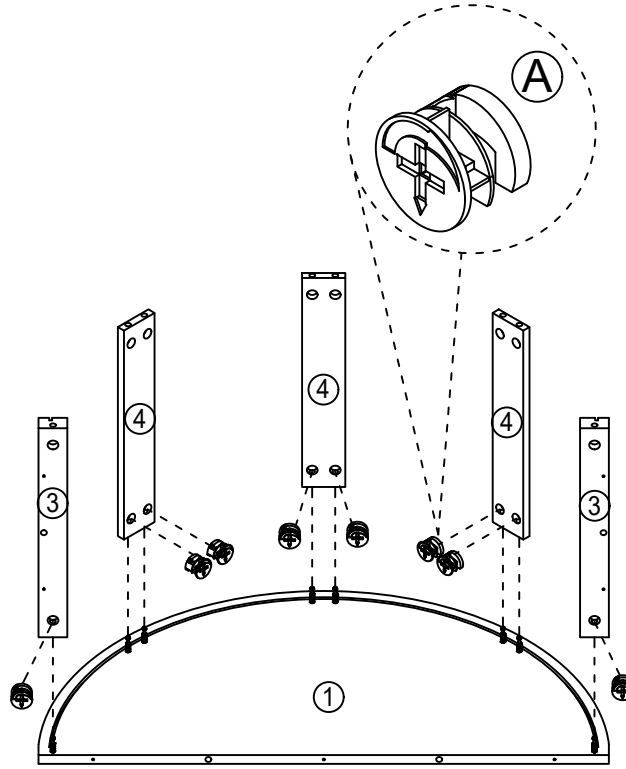
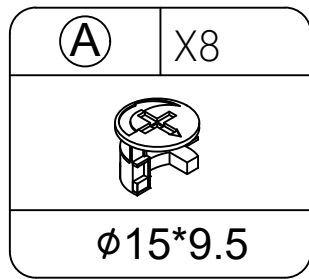
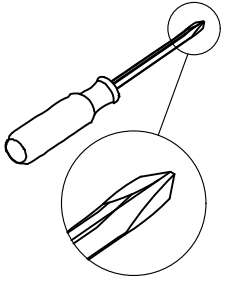
# STEP 3



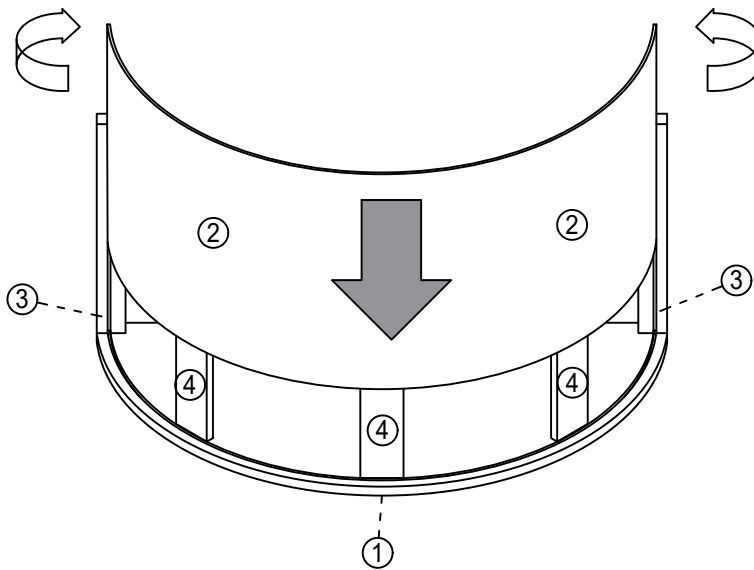
|   |     |
|---|-----|
| (B)   | X16 |
|  |     |
| $\phi 6.5 \times 35$  |     |



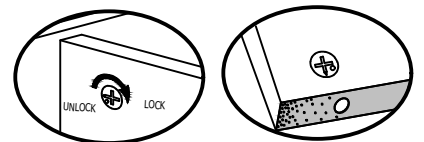
# STEP 4



Insert back board 2 along available grooves as shown.

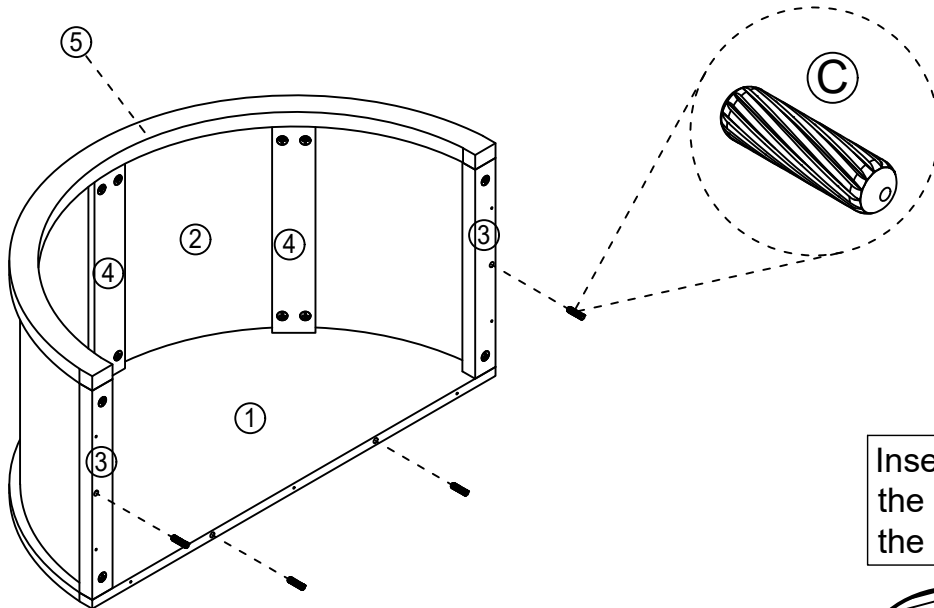
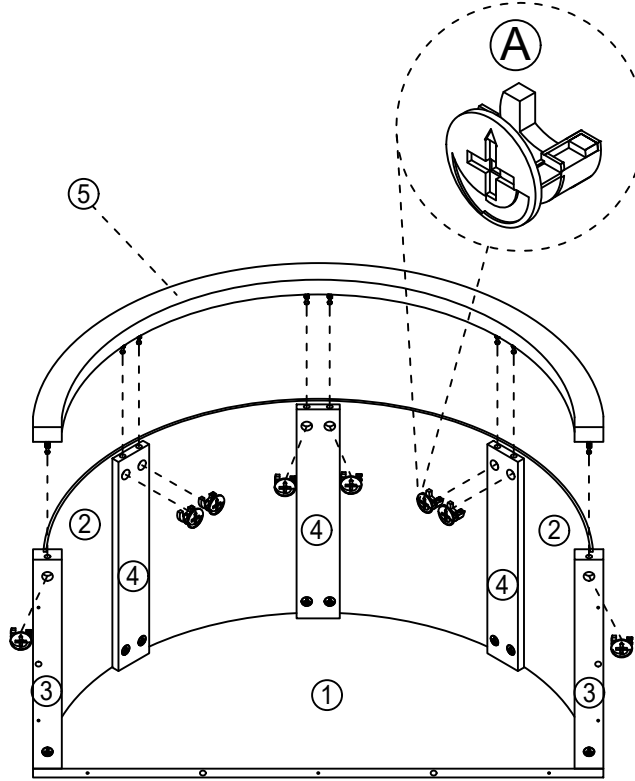
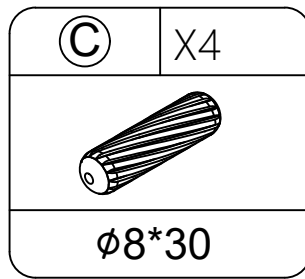
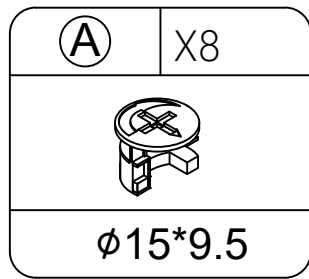
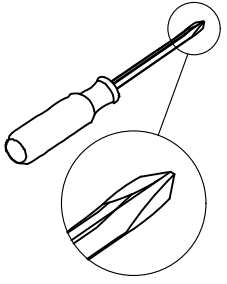


Insert the cam bolt into the hole first, then insert the cam lock and lock it.

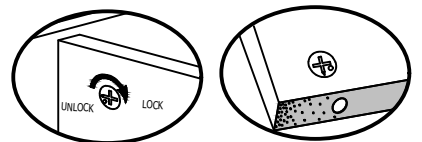


Proper orientation of CAM LOCK

# STEP 5

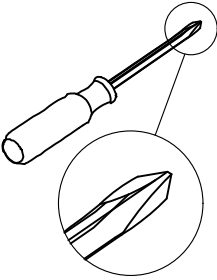


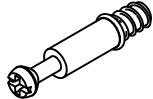
Insert the cam bolt into the hole first, then insert the cam lock and lock it.




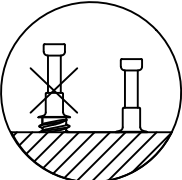
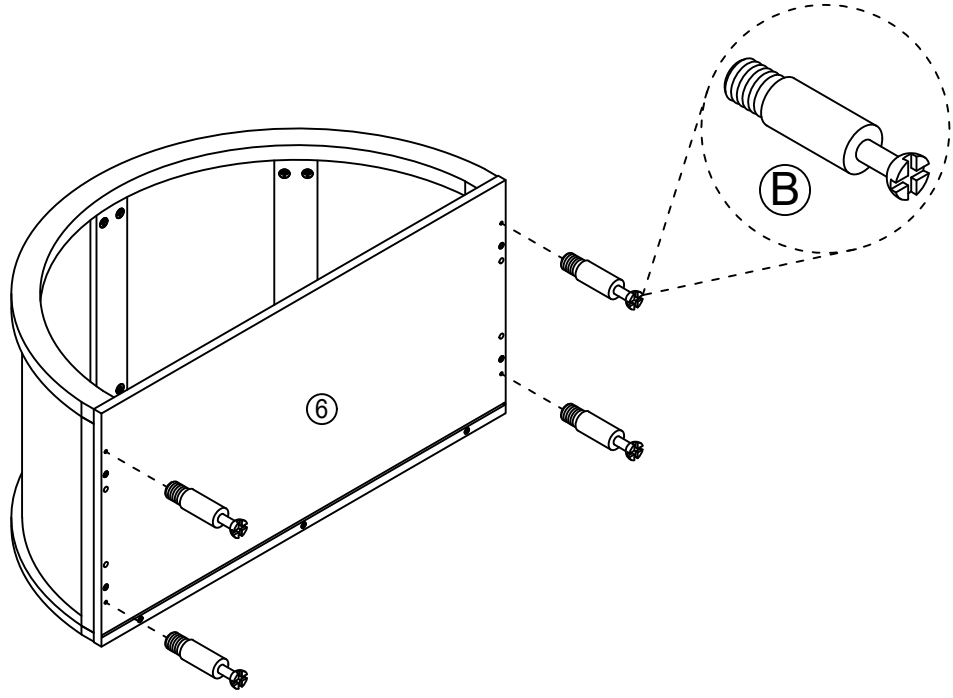
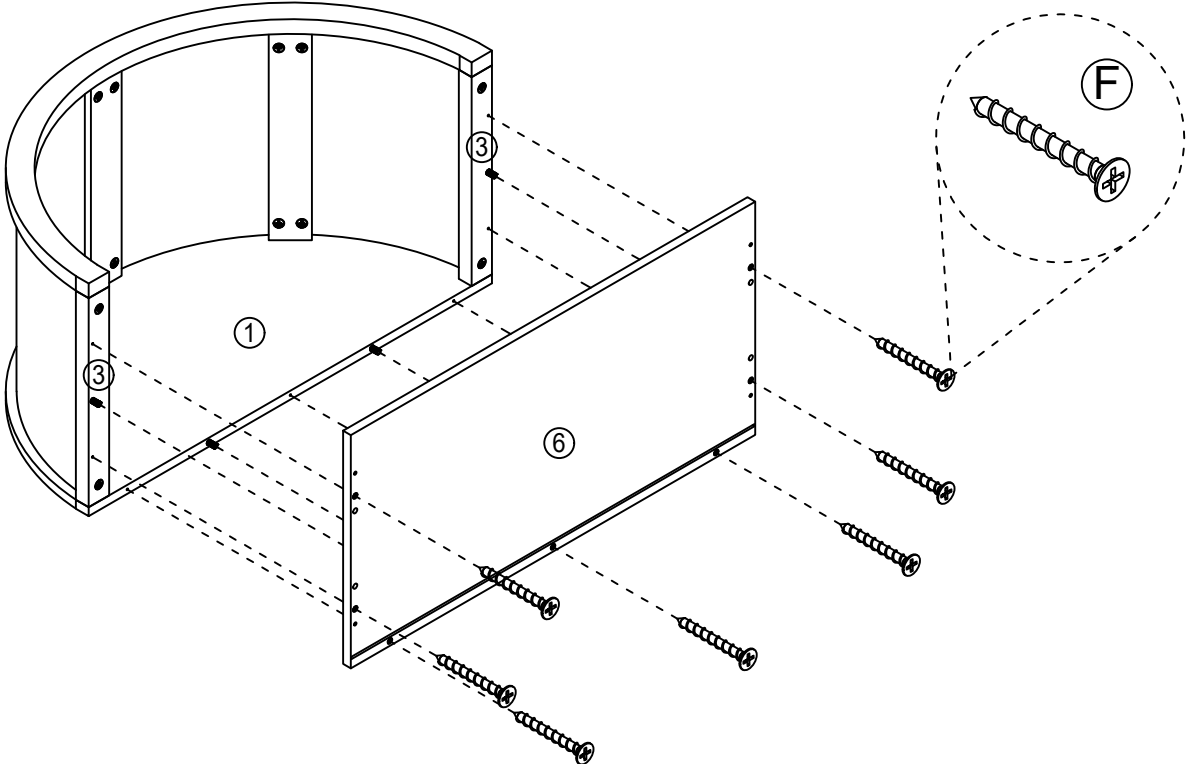
Proper orientation of CAM LOCK

# STEP 6

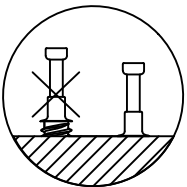
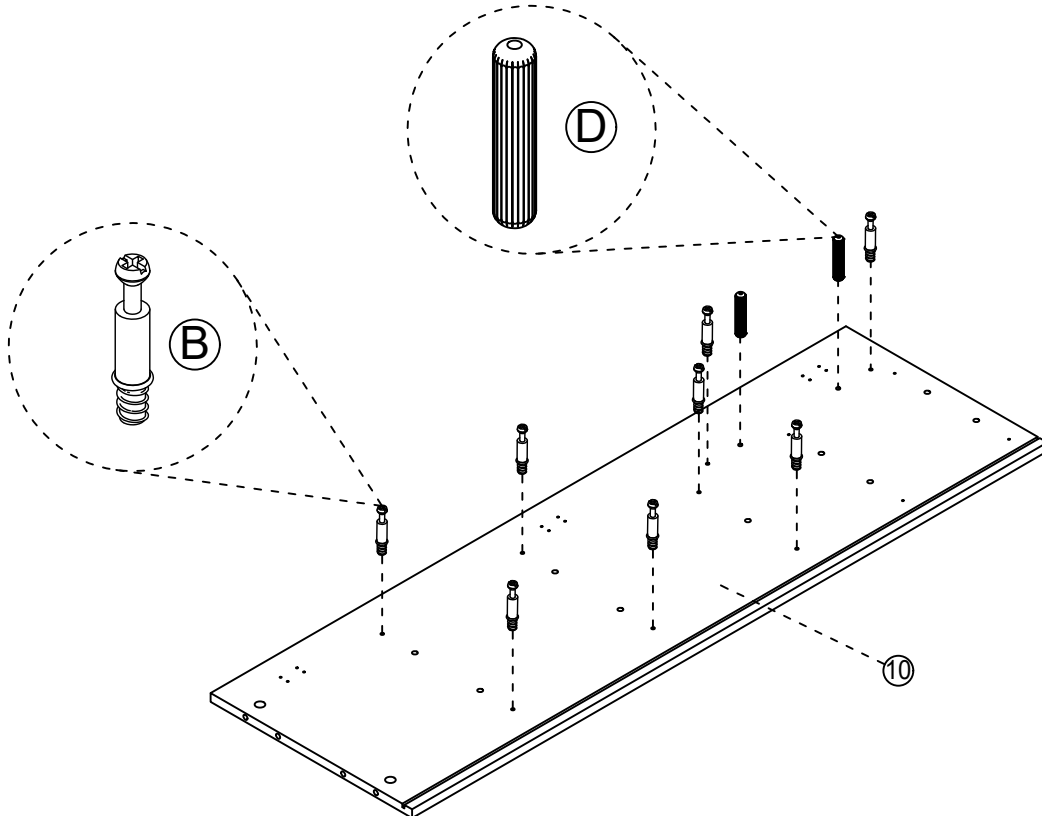
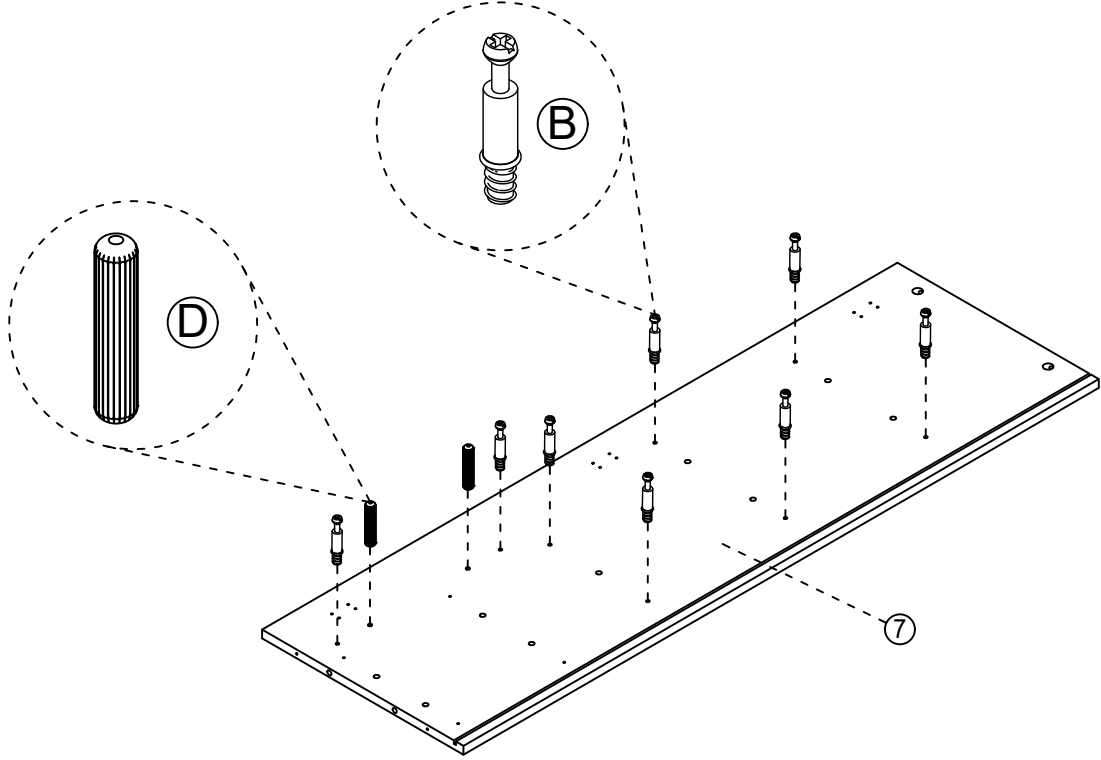
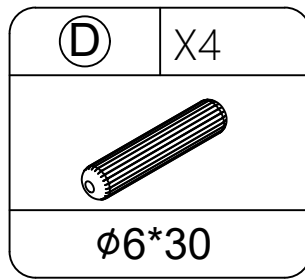
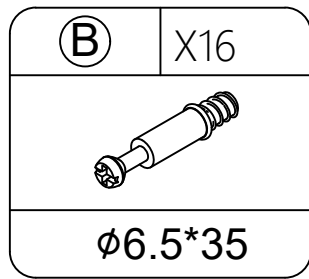
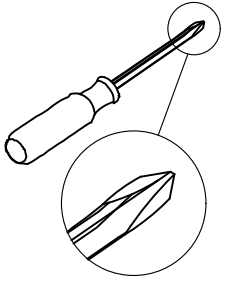


|   |    |
|---|----|
| (B)   | X4 |
|  |    |
| ø6.5*35   |    |

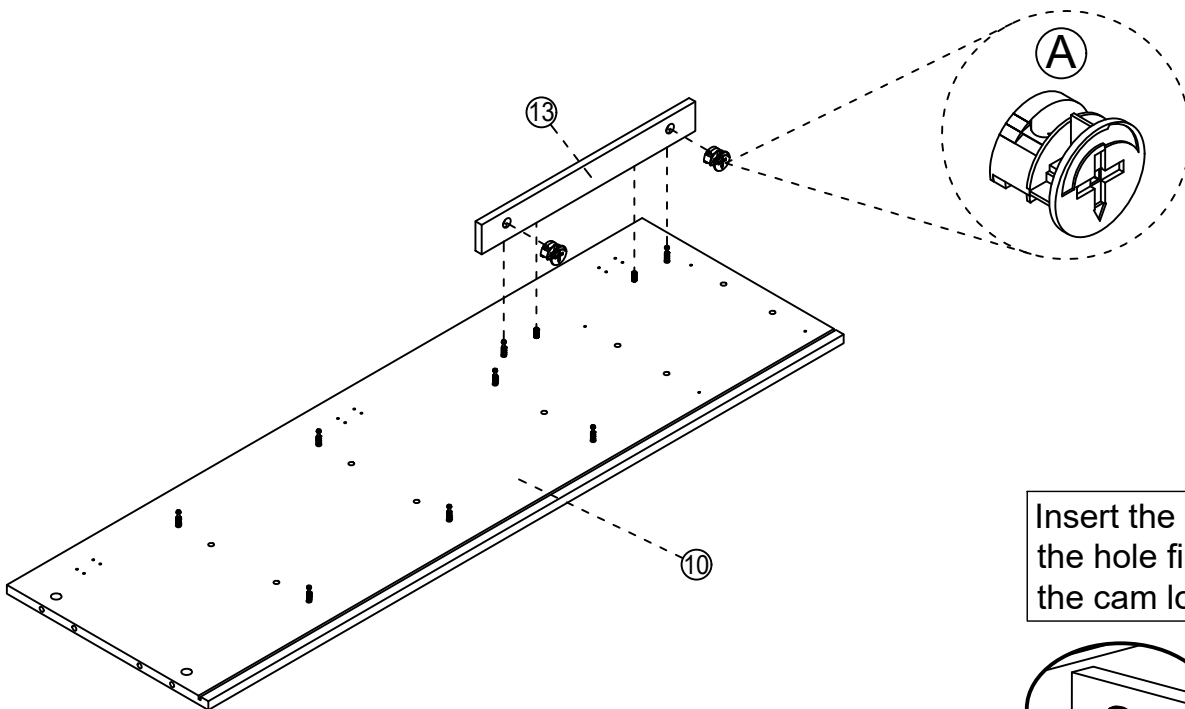
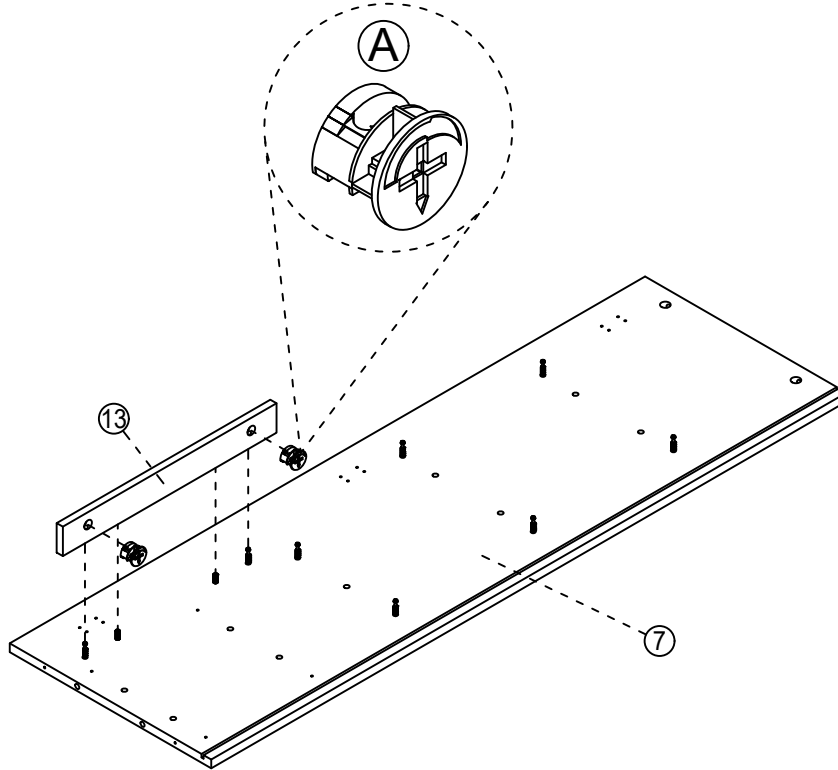
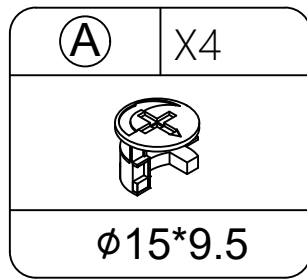
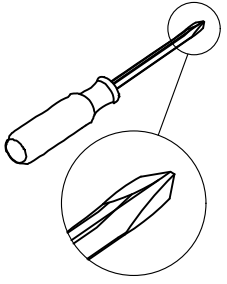
|  |    |
|--|----|
| (F)  | X7 |
|  |    |
| ø4*35  |    |



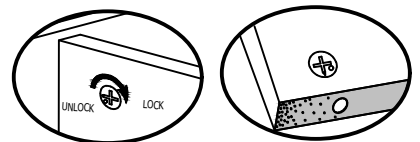
# STEP 7



# STEP 8

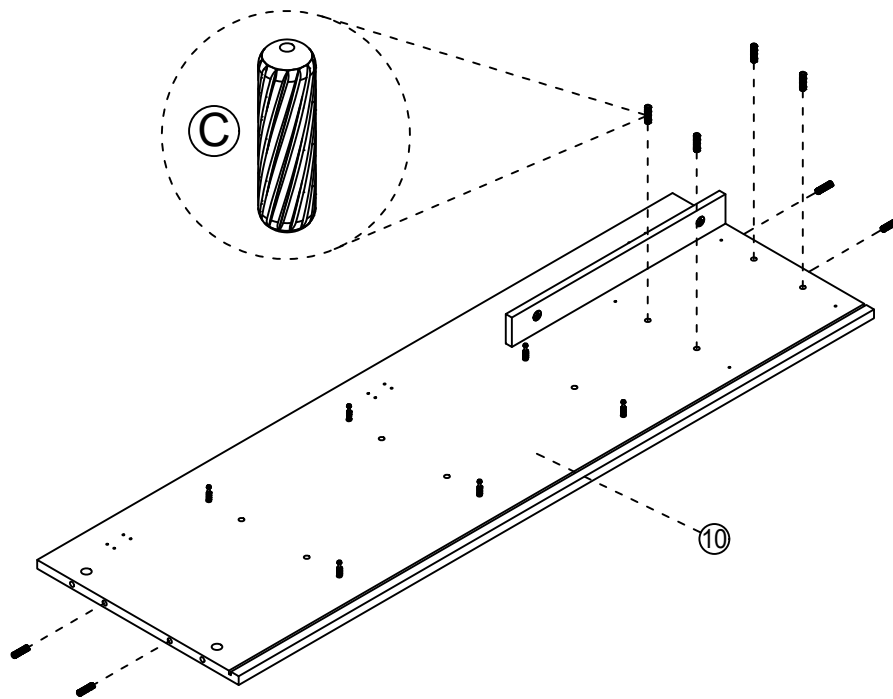
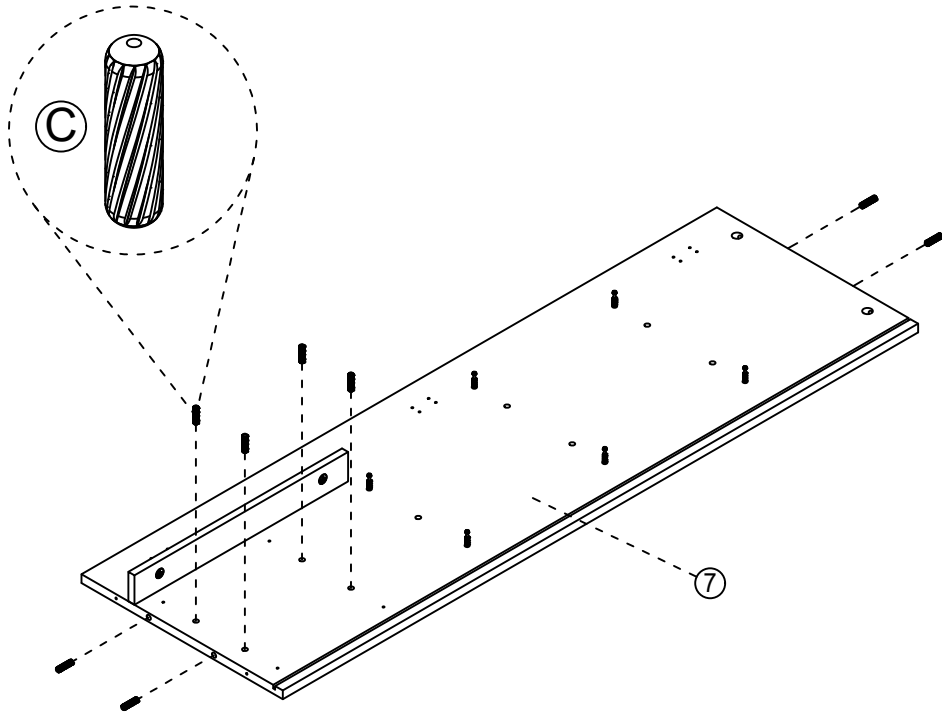
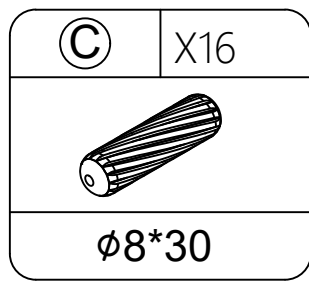
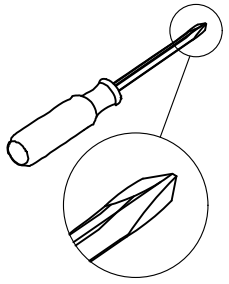


Insert the cam bolt into the hole first, then insert the cam lock and lock it.

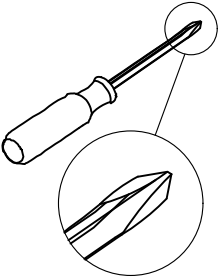


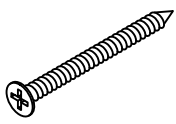
Proper orientation of CAM LOCK

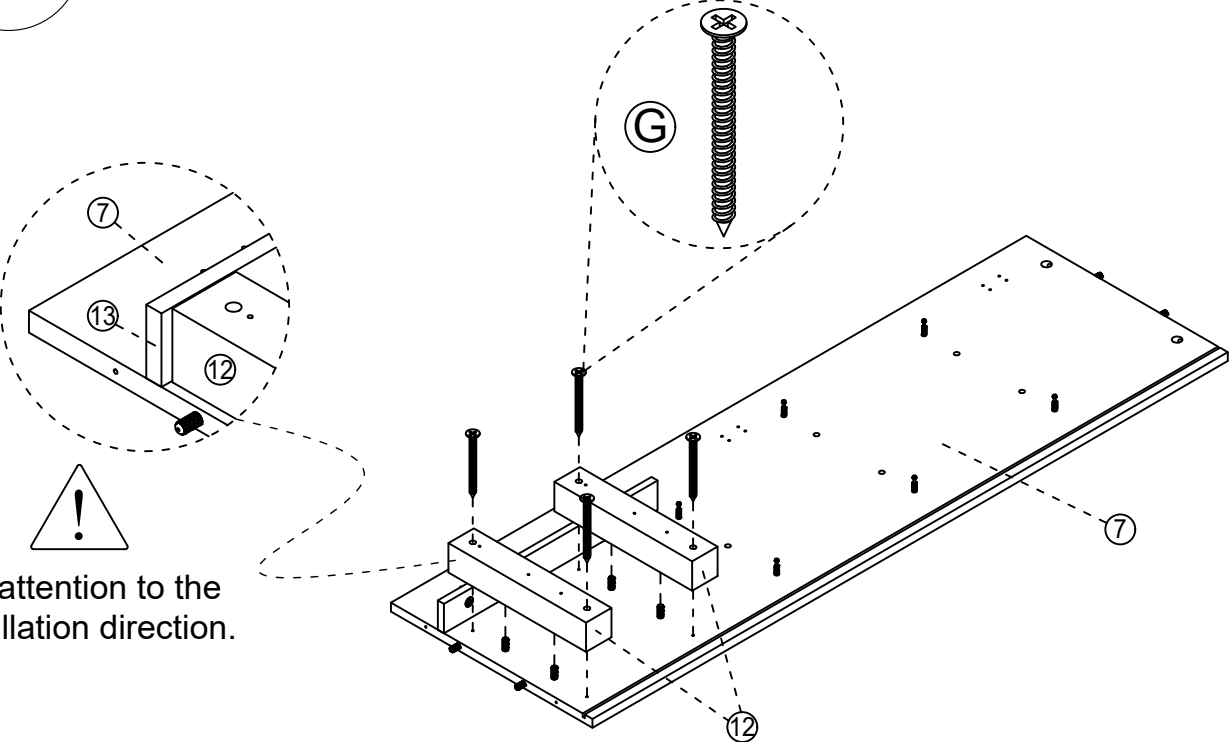
# STEP 9



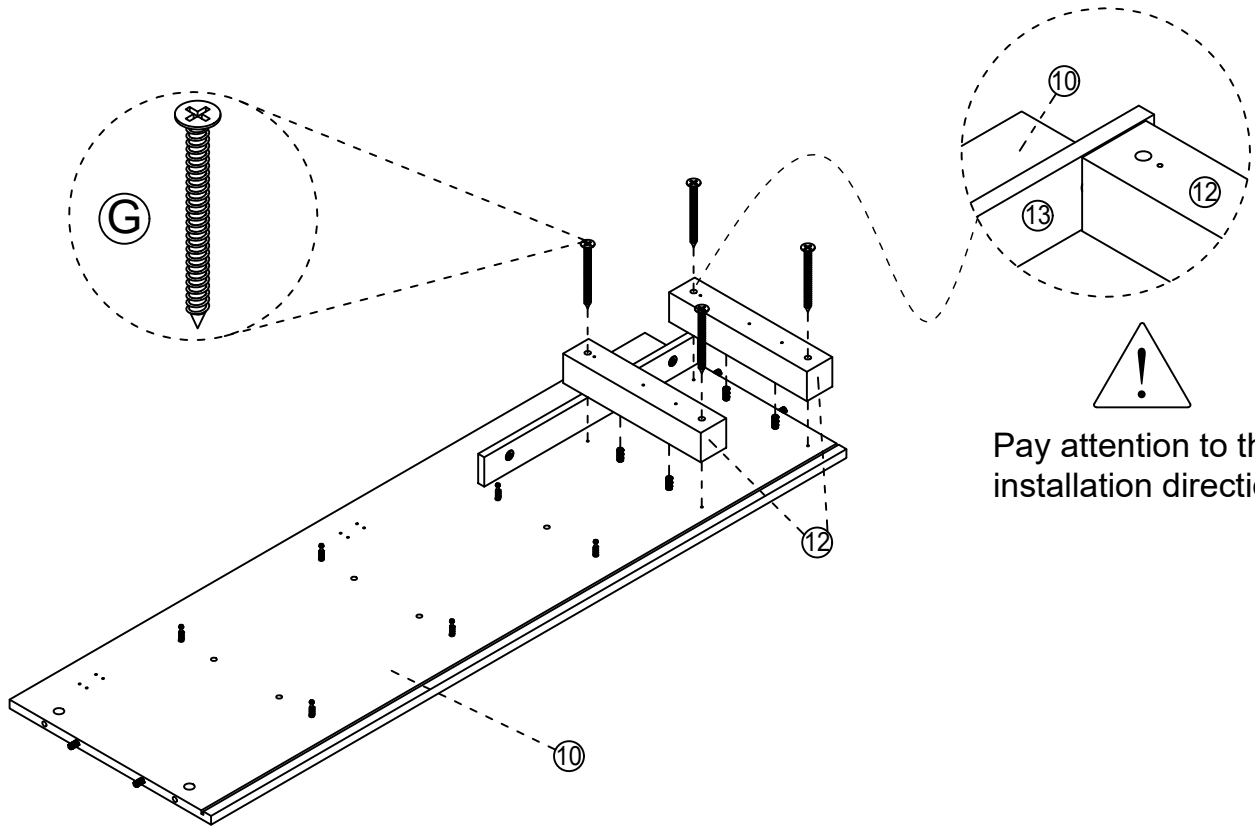
# STEP 10



|   |    |
|---|----|
| (G)   | X8 |
|  |    |
| φ4*50   |    |

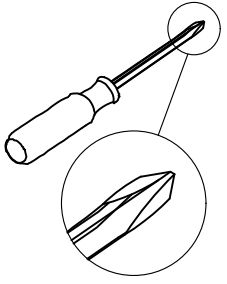


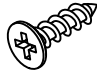
Pay attention to the installation direction.

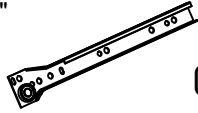


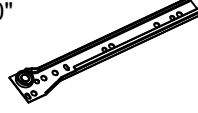
Pay attention to the installation direction.

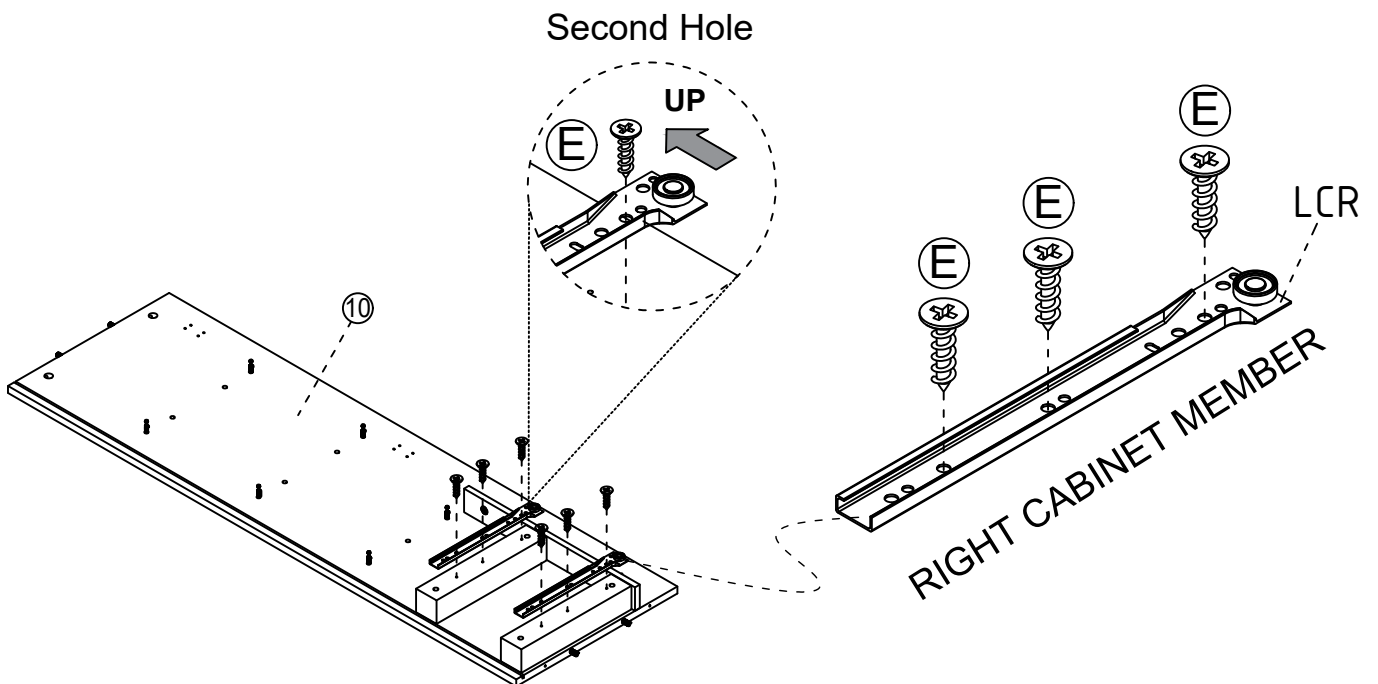
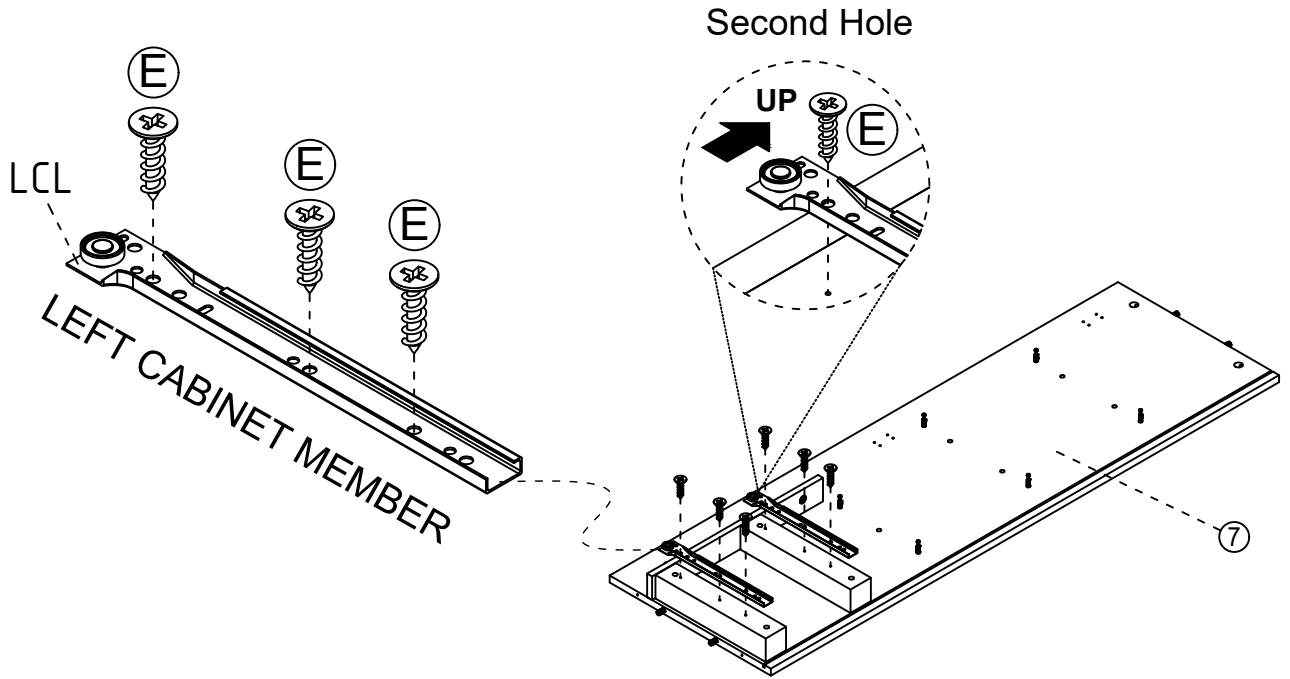
# STEP 11



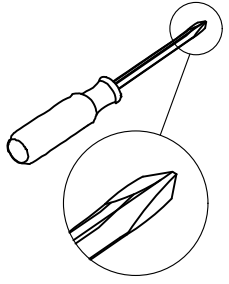
|   |     |
|---|-----|
| (E)   | X12 |
|  |     |
| ø3.5*14   |     |

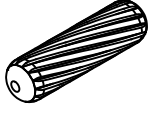
|       |  |
|-------|--|
| (L)   | X2   |
| 10"   |  |
| CL    |  |
| L=250 |  |

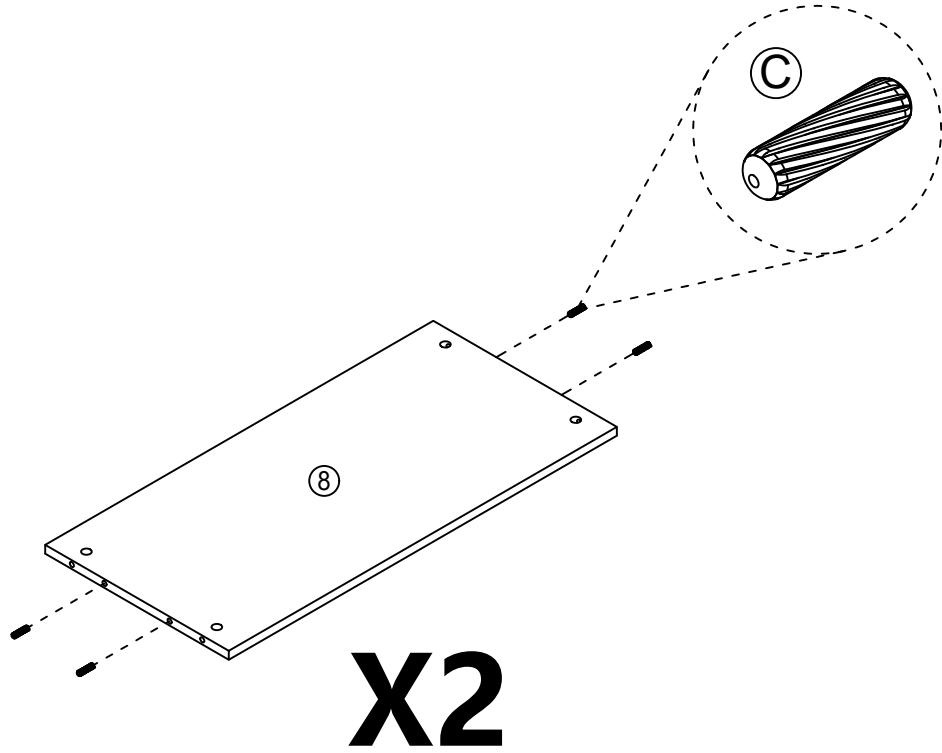
|       |   |
|-------|---|
| (L)   | X2  |
| 10"   |  |
| CR    |   |
| L=250 |   |



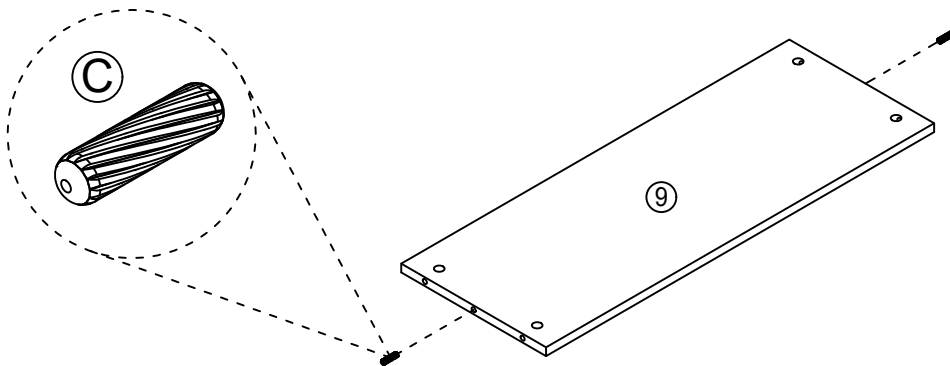
# STEP 12



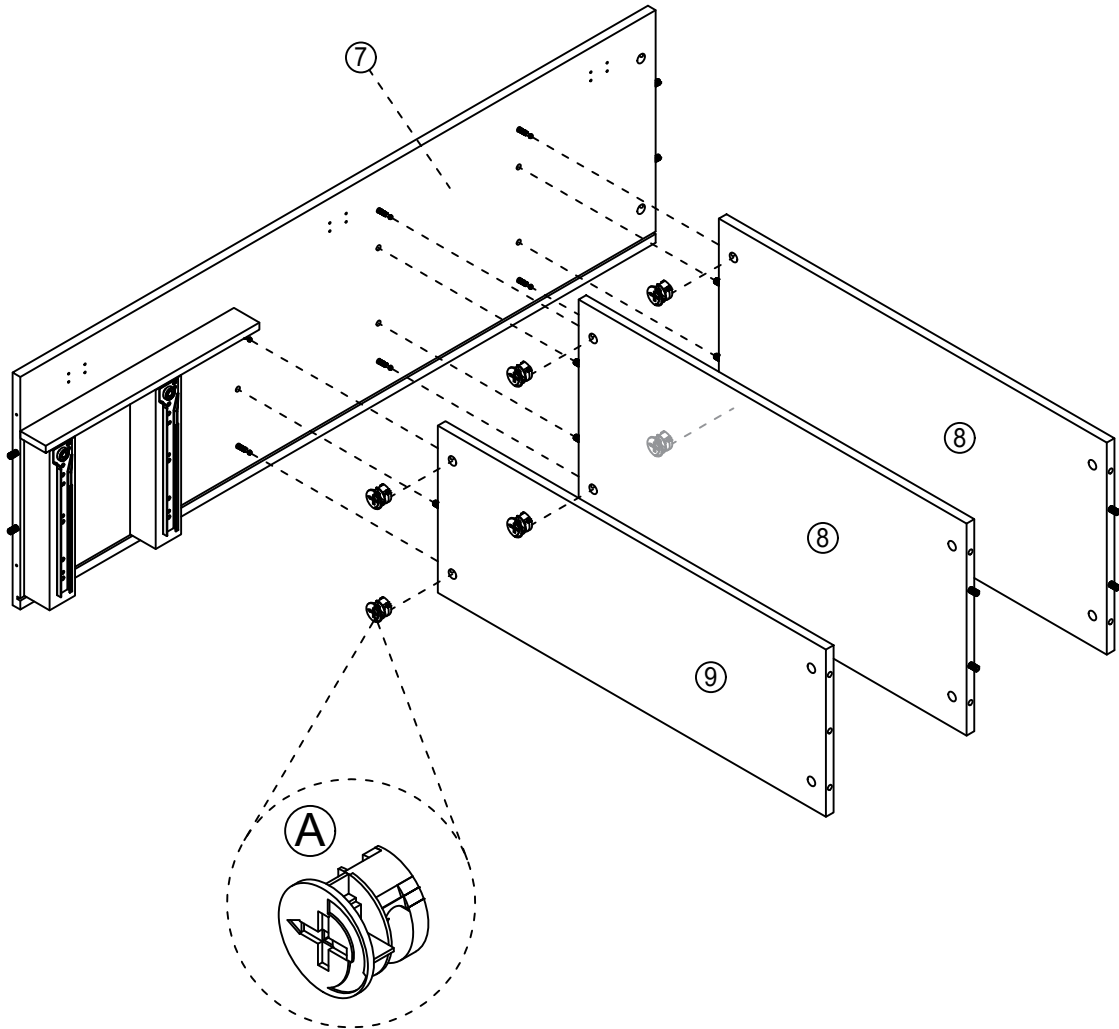
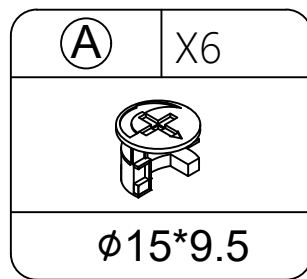
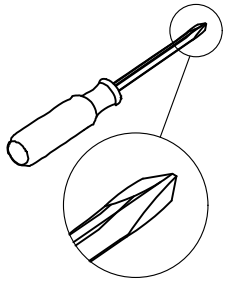
|   |     |
|---|-----|
| (C)   | X10 |
|  |     |
| ø8*30   |     |



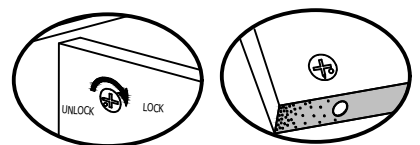
**X2**



# STEP 13

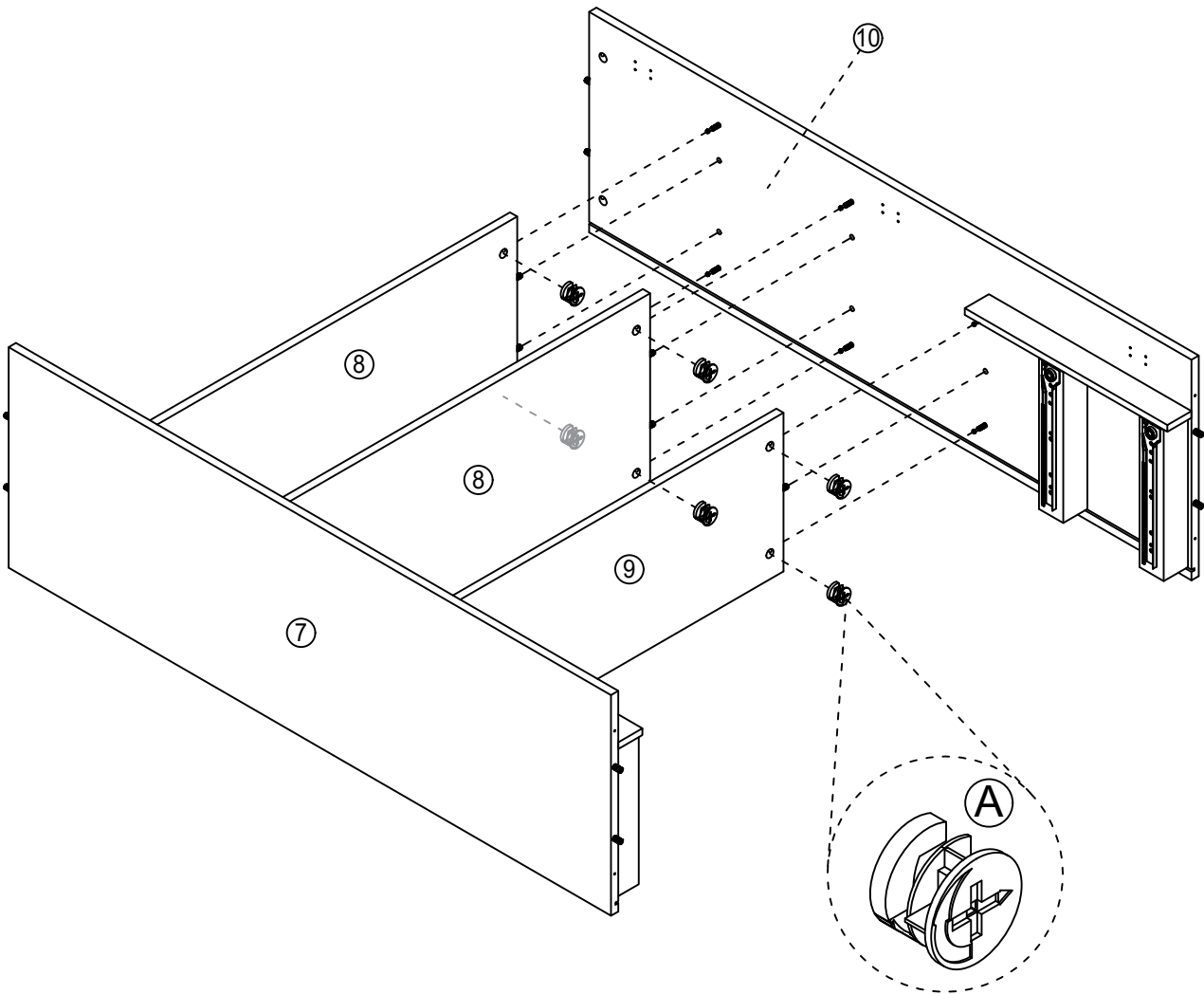
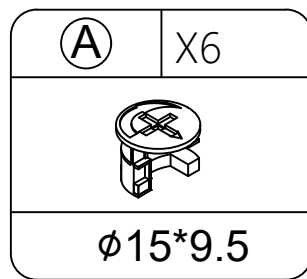
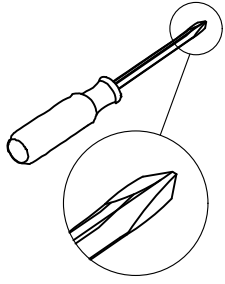


Insert the cam bolt into the hole first, then insert the cam lock and lock it.

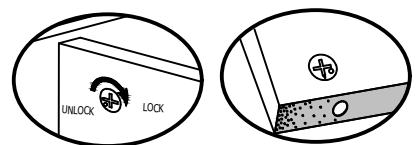


Proper orientation of CAM LOCK

# STEP 14

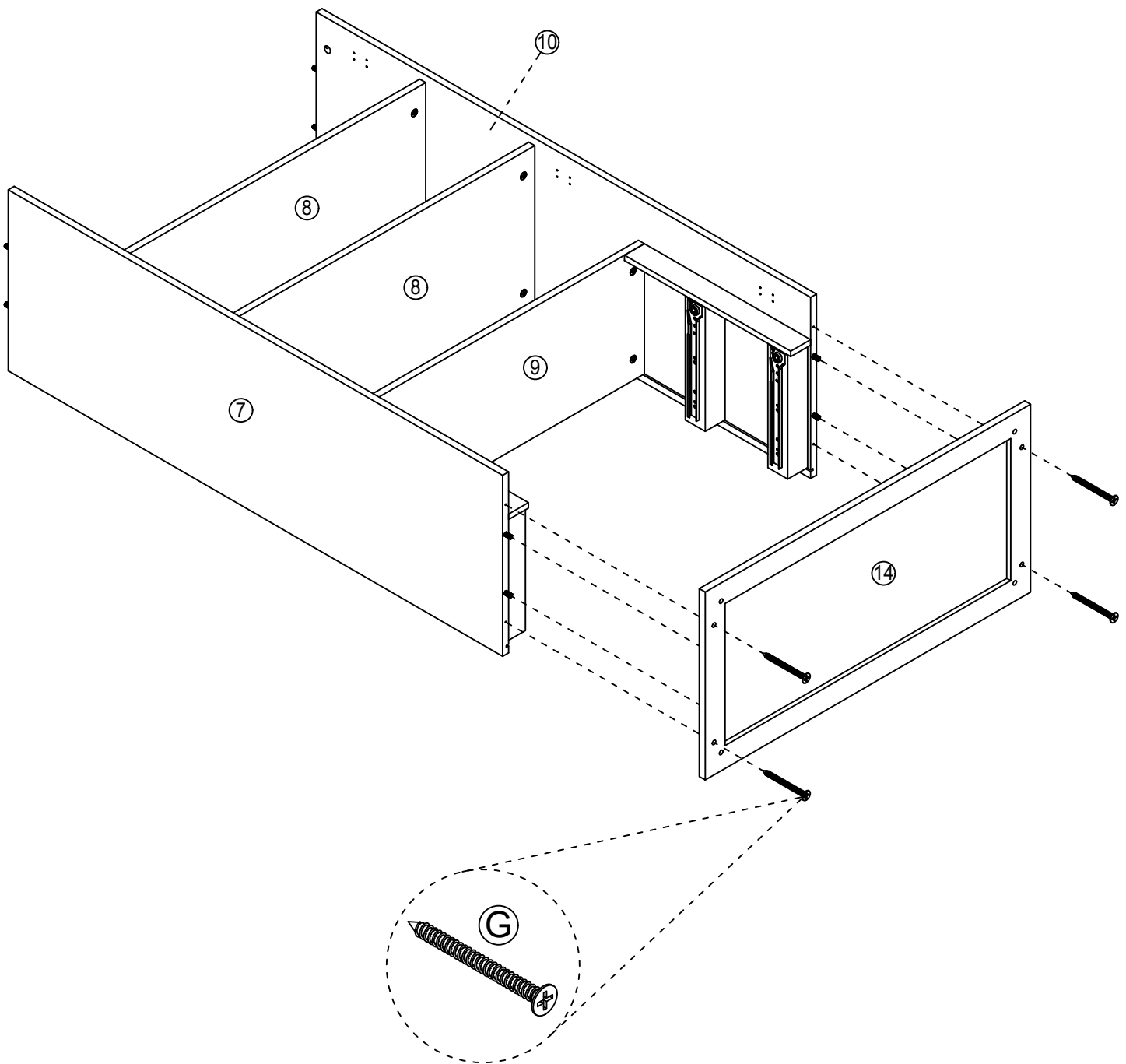
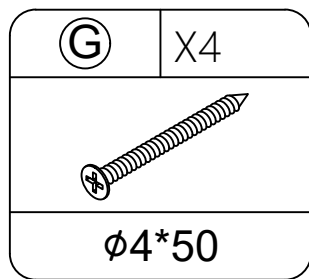
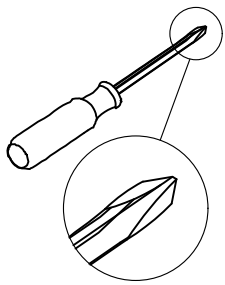


Insert the cam bolt into the hole first, then insert the cam lock and lock it.

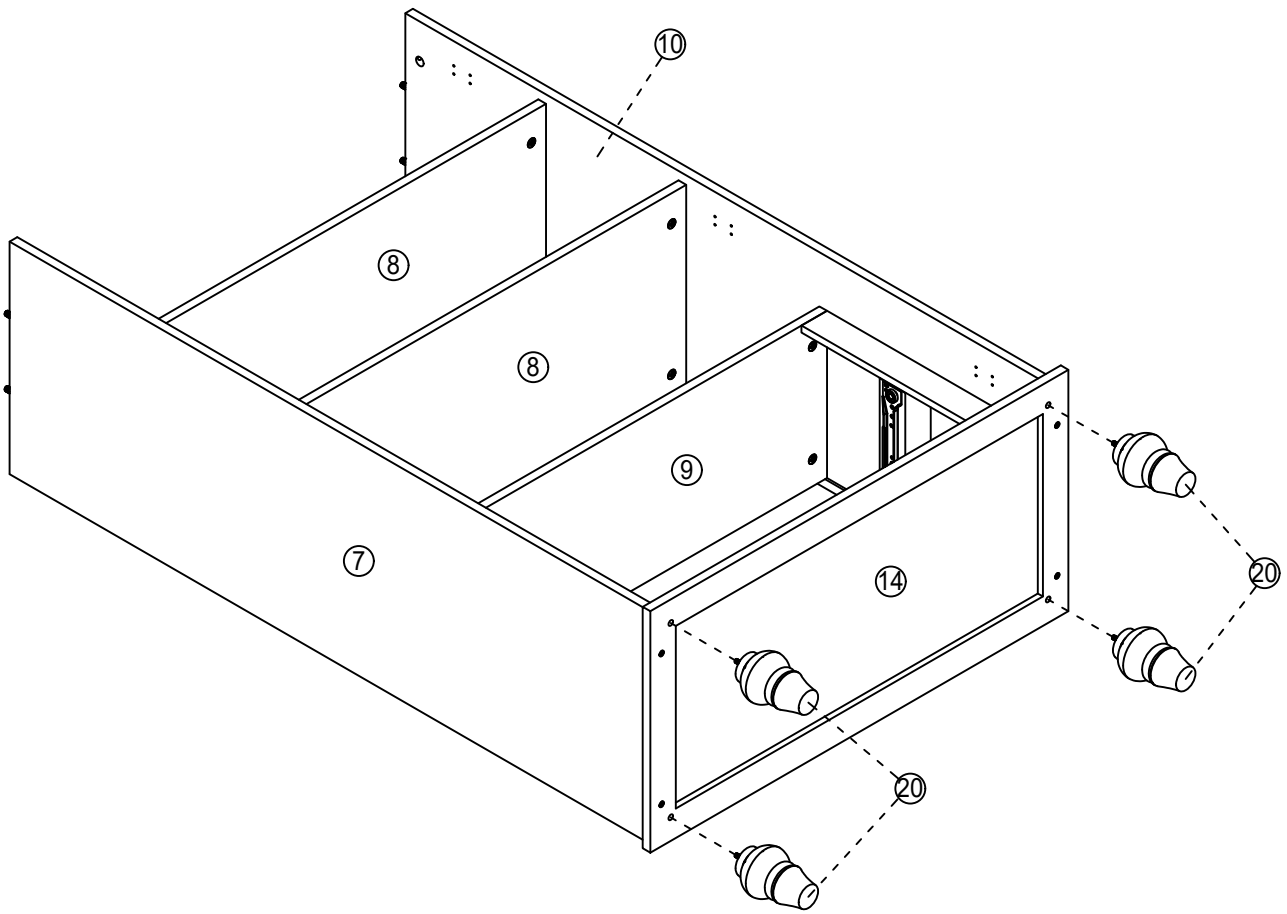


Proper orientation of CAM LOCK

# STEP 15

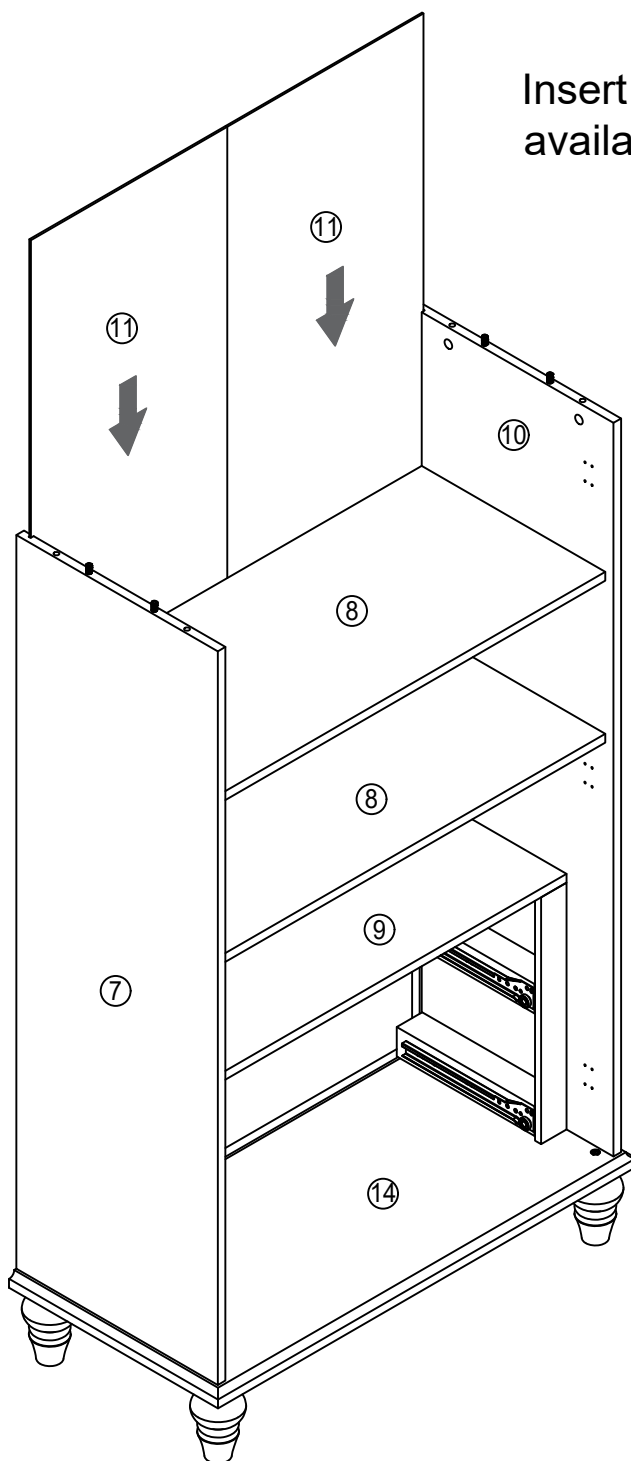


# STEP 16



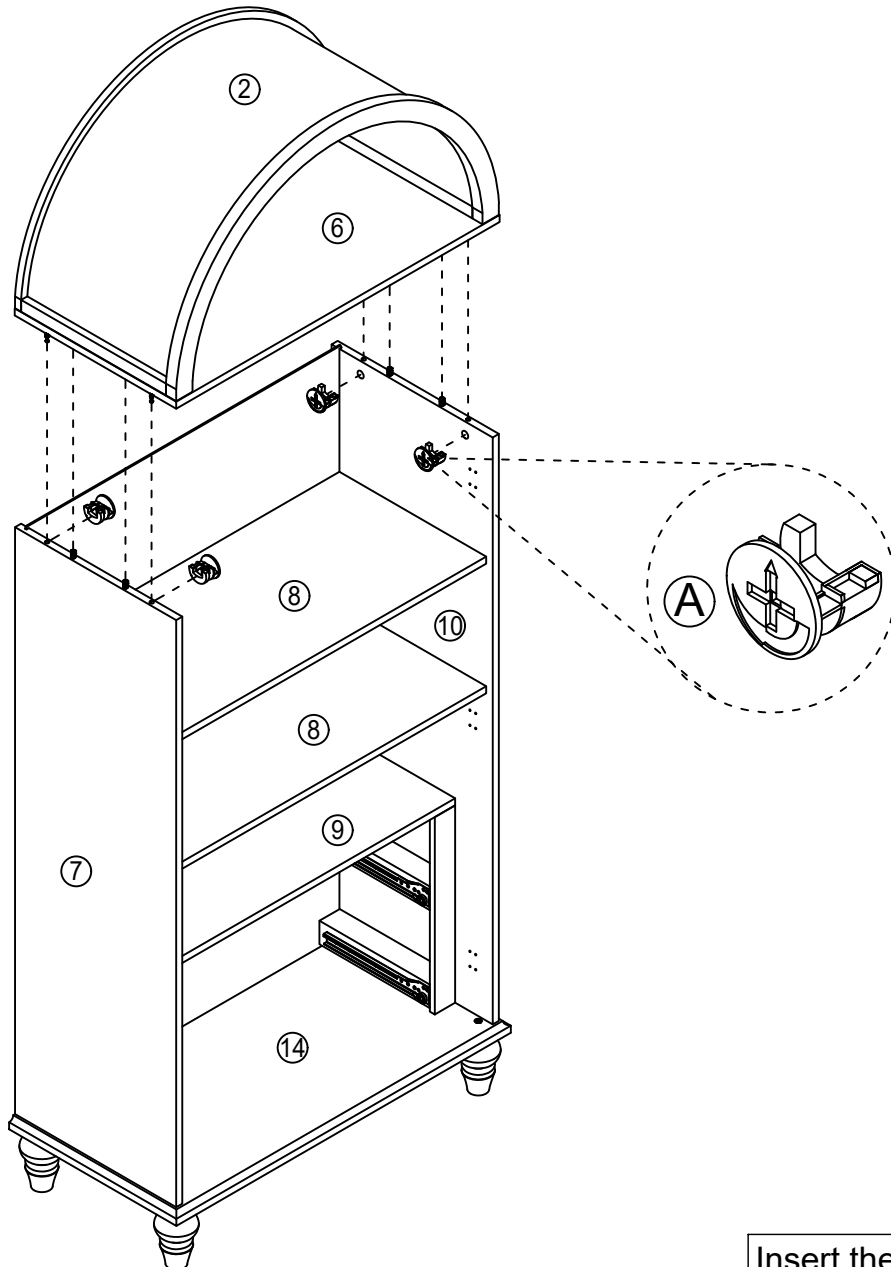
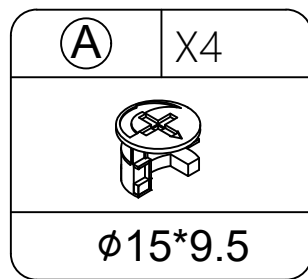
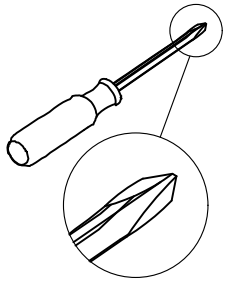
Rotate and Tighten in  
a clockwise direction.

# STEP 17

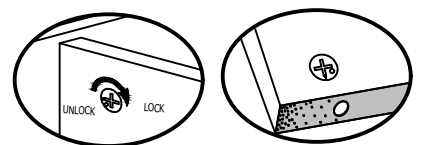


Insert back board 11 along available grooves as shown.

# STEP 18

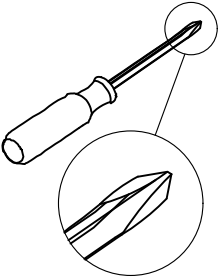


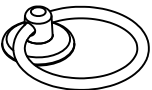
Insert the cam bolt into the hole first, then insert the cam lock and lock it.




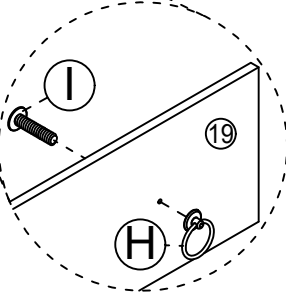
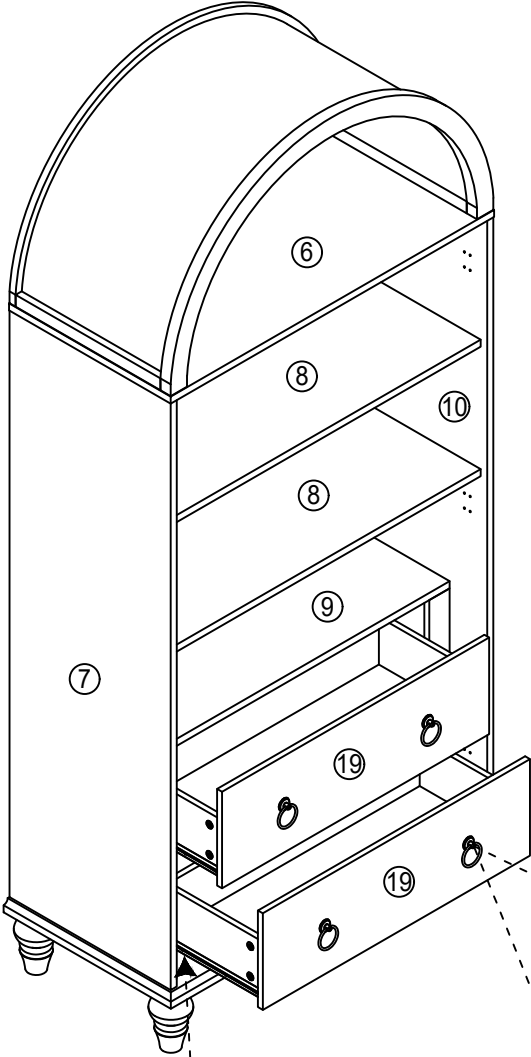
Proper orientation of CAM LOCK

# STEP 19

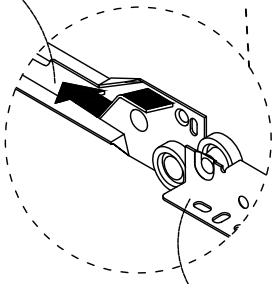


|   |    |
|---|----|
| (H)   | X4 |
|  |    |
| ø25*ø44*48  |    |

|   |    |
|---|----|
| (I)   | X4 |
|  |    |
| M4*16   |    |

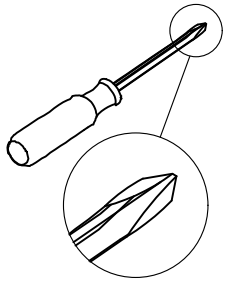


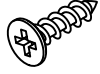
Cabinet Slide

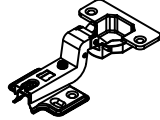


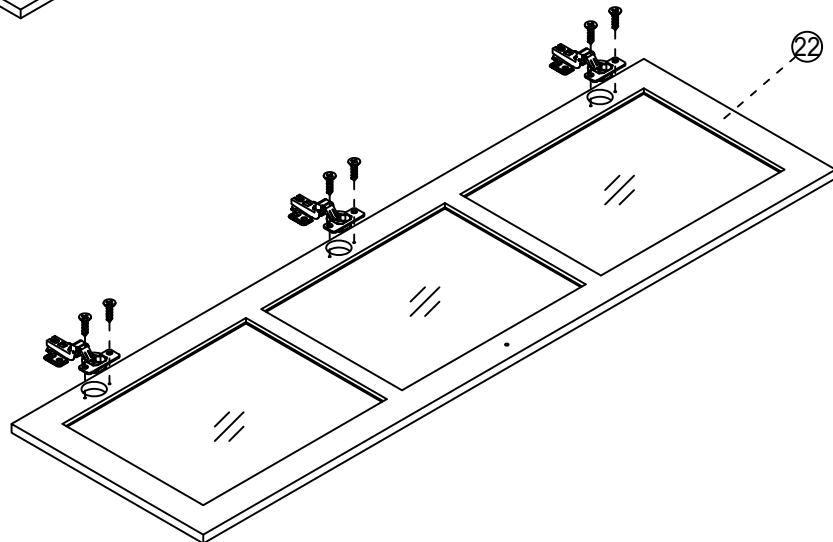
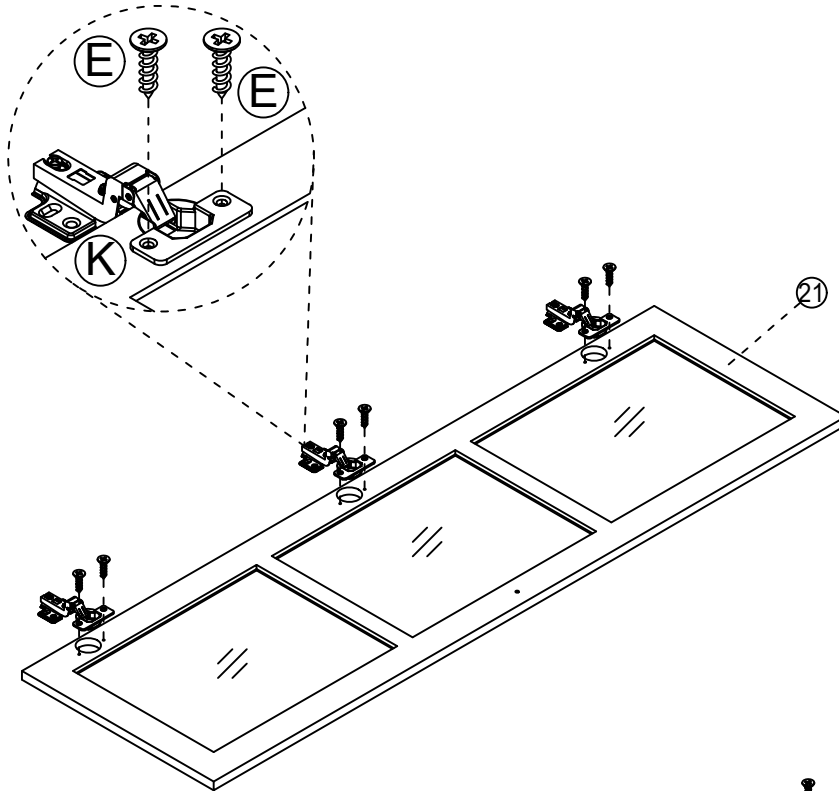
Drawer Slide

# STEP 20



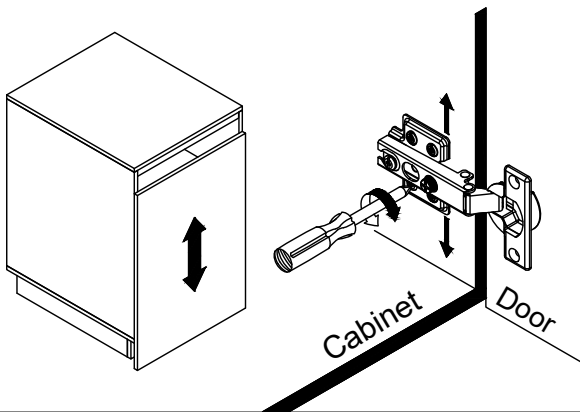
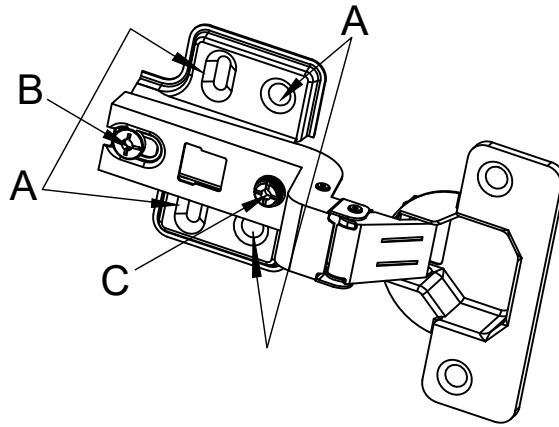
|   |     |
|---|-----|
| (E)   | X12 |
|  |     |
| ø3.5*14   |     |

|  |    |
|--|----|
| (K)  | X6 |
|  |    |
| ø35  |    |



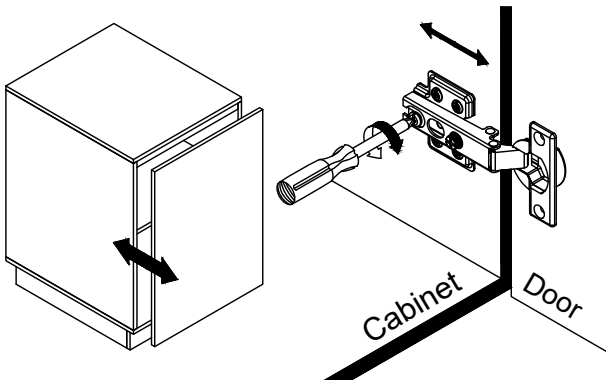
# STEP 21

---



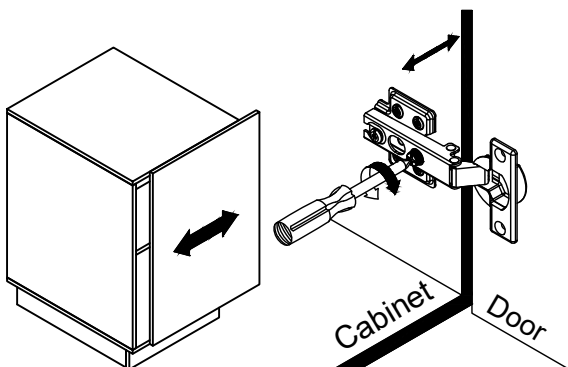
### To adjust the vertical height.

Loosen the four screws "A" on both hinges. Two of them are usually in slotted holes which allows you to adjust up or down by a few mm. Then tighten back up.



### To adjust depth.

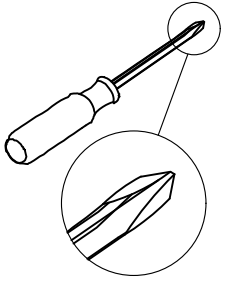
Loosen screw "B" and adjust door, if the door can not be adjusted, please loosen screw "C", then try again. Tighten screw "B" and "C".



### To adjust side ways.

Turning the screw "C" on BOTH hinges on each door.

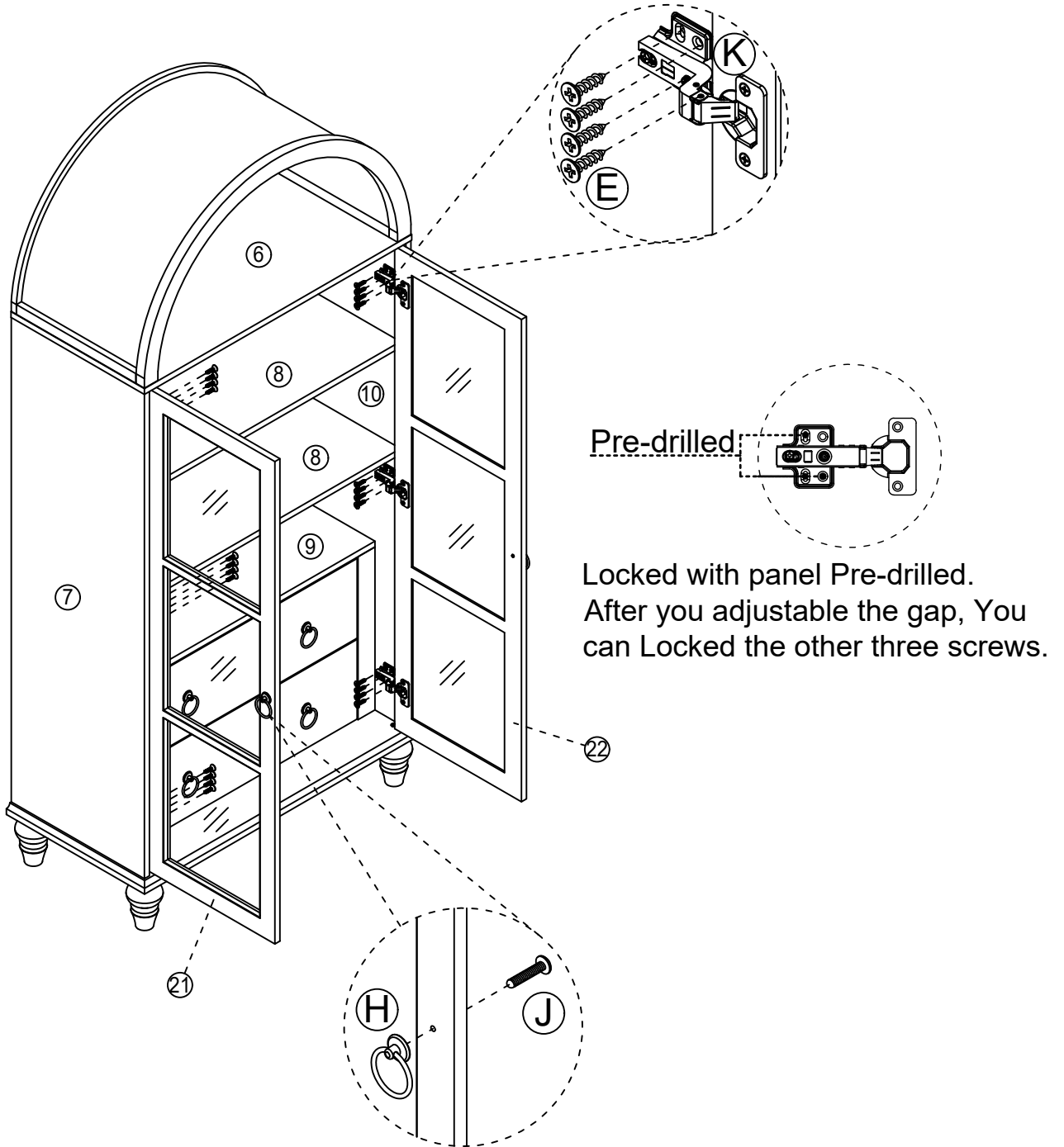
# STEP 22



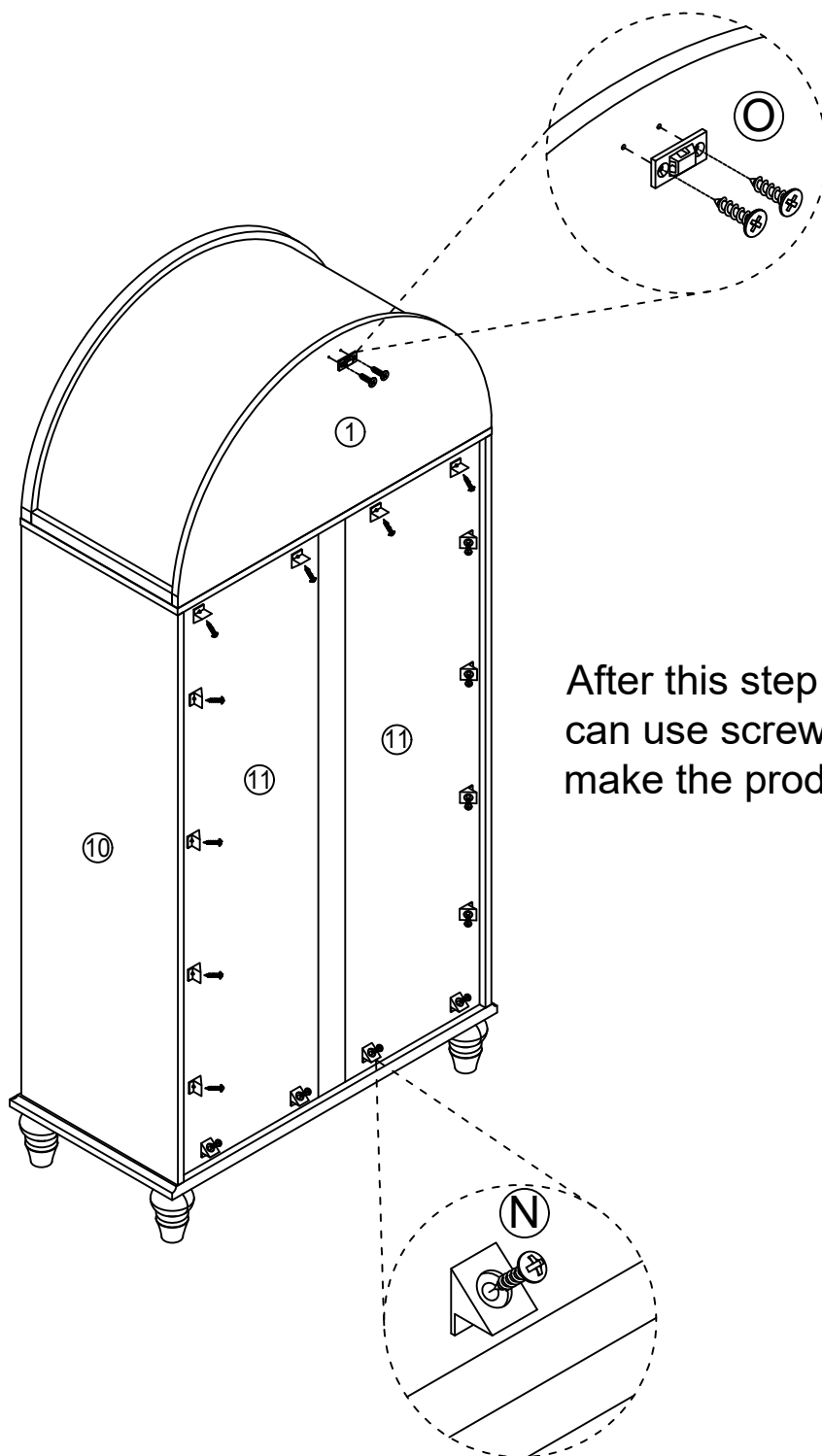
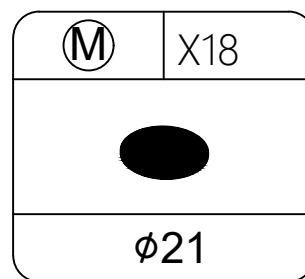
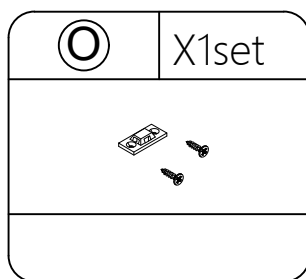
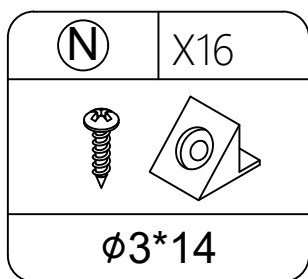
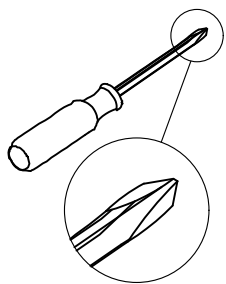
|         |     |
|---------|-----|
| (E)     | X24 |
|         |     |
| φ3.5*14 |     |

|            |    |
|------------|----|
| (H)        | X2 |
|            |    |
| φ25*φ44*48 |    |

|       |    |
|-------|----|
| (J)   | X2 |
|       |    |
| M4*19 |    |

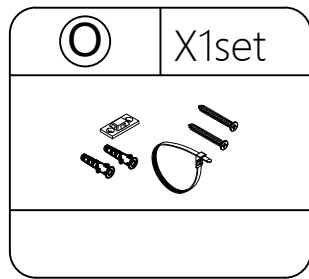
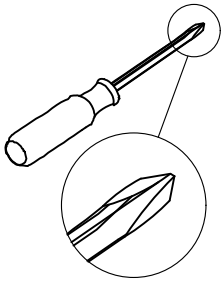


# STEP 23



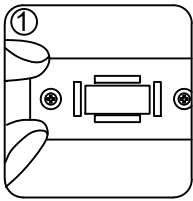
After this step is installed, you can use screw hole stickers to make the product more beautiful.

# STEP 24

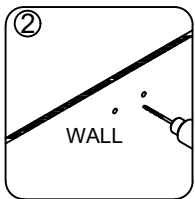


**NOTE:** The tipping restraint hardware included is for wooden stud wall construction. It must be attached to a wall stud. Depending upon your wall construction different anchor hardware may be required. Please contact your local hardware store for assistance. Young children can be seriously injured by tipping furniture. You must install the tipping restraint hardware with the unit to prevent the unit from tipping, causing any accidents or damage. The tipping restraints are intended only as a deterrent and are not a substitute for proper adult supervision. The tipping restraints are not earthquake restraints. If you wish to add the extra security of earthquake restraints, they must be purchased and installed separately.

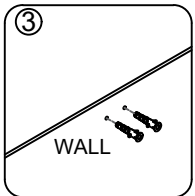
## Install the tipping restraint hardware



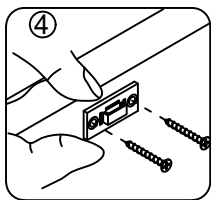
1. make mark on the wall



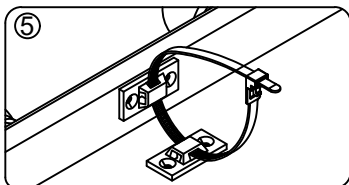
2. drill two Ø6 holes on the wall



3. put two anchors in the holes



4. fix the device on the wall by the long screws



5. Push the cabinet close to the wall so that the two bases are close to each other, and then nylon tie to tighten it.

