

ASSEMBLY INSTRUCTIONS



CAUTION

◆ Inspect the wire insulation for any cuts, abrasions, or exposed copper that may have resulted during shipping. If there is a defect in the wire, do not attempt installation.

◆ Before starting installation of this fixture or removal of a previous fixture, disconnect the power by turning off the circuit breaker or by removing the fuse at the fuse box.

TOOLS REQUIRED



Ladder



Safety glasses



Electrical tape



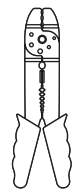
Phillips screwdriver



Flat blade screwdriver



Pliers

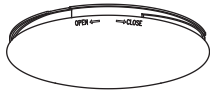


Wire strippers

HARDWARE INCLUDED



Fixture



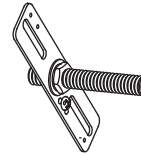
Shade



Ball Nut



Washer



Mounting Unit



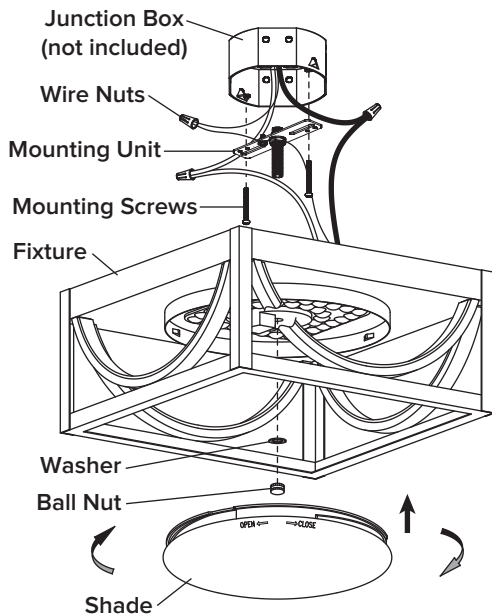
Mounting Screws



Wire Nuts

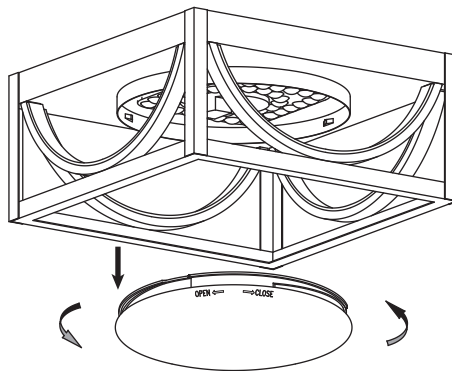
*PARTS SHOWN MAY DIFFER SLIGHTLY PER LIGHT FIXTURE

EXPLODED PARTS



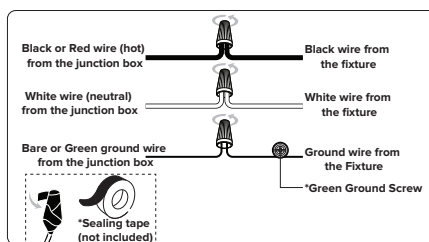
STEP 2

Unscrew the **shade** from the **fixture**.



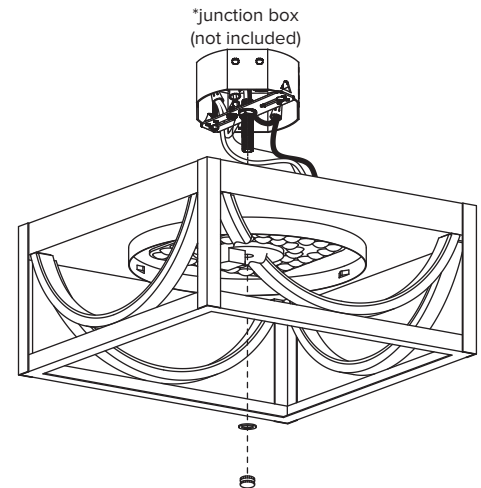
STEP 3

Make the electrical connection from the junction box (not included) to the **fixture**. Connect the ground wire to the **mounting unit** using the preinstalled green ground screw. Next, connect the positive, negative and ground wires with the supplied **wire nuts**. Secure with electrical tape.



STEP 4

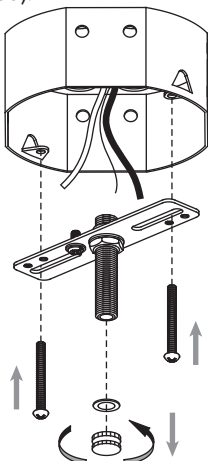
Secure the **fixture** to the **mounting unit** with the **washer** and **ball nut**.



INSTALLATION

STEP 1

1. Unscrew the **washer** and **ball nut** from the **mounting unit**.
2. Adjust threaded rod on **mounting unit** to allow **fixture** to rest flush against the ceiling when **ball nut** is tightened.
3. Use the **mounting screws** to attach the **mounting unit** to the junction box (not included).



STEP 5

Raise the **shade** up allowing the protrusions to engage the indentations of the **shade**, and twist the **shade** to lock into place.

