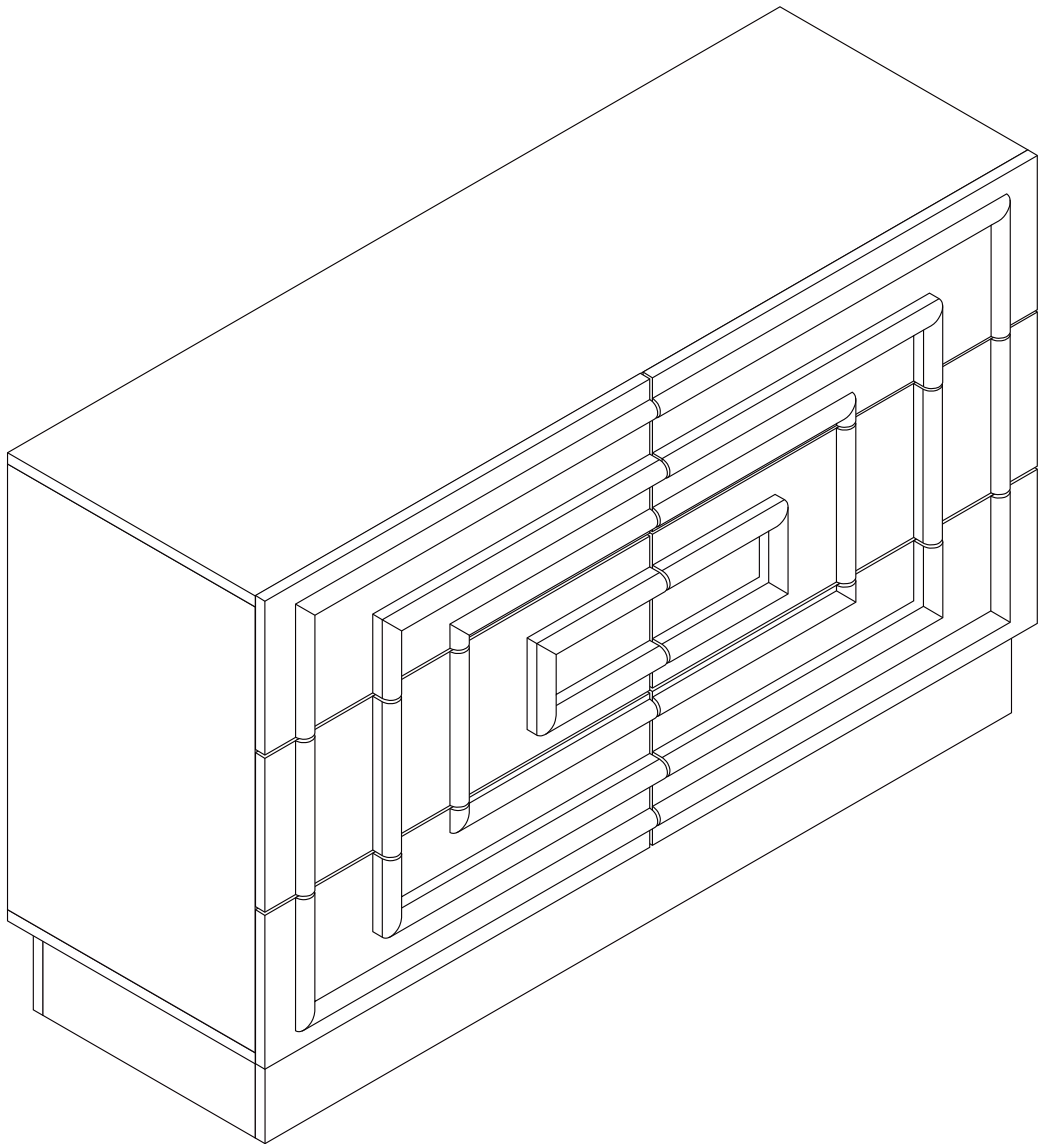
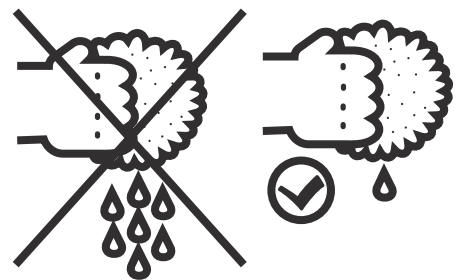
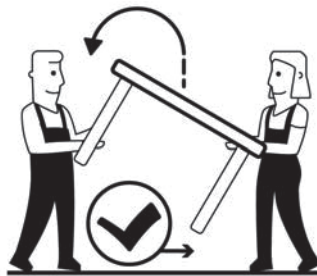
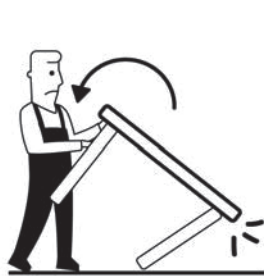
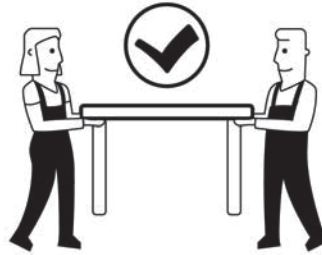
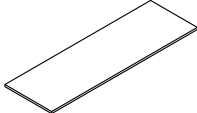
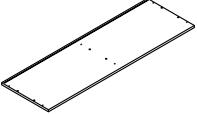

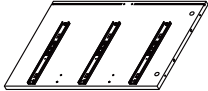

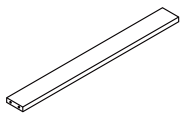
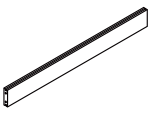
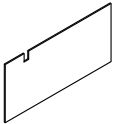
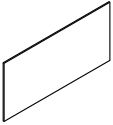
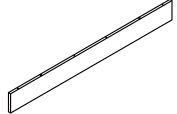
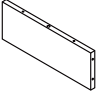
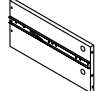


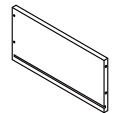
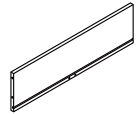
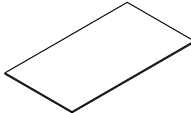
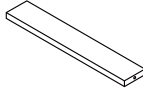
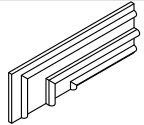
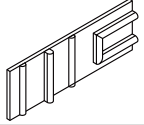
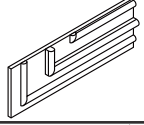
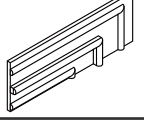
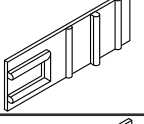
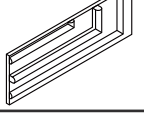
# Thank You For Shopping





# Component parts supplied




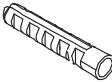



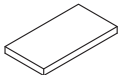
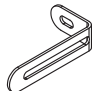

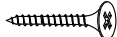
Ref	Dimensions	Visual	Qty
1	47.2x15.1in		1
2	47.2x15.1in		1
3	23.6x15.1in		1
4	23.6x15.1in		1
5	23.6x15.1in		1
6	22.7x2.3in		4
7	22.7x2.3in		2
8	23x10.9in		2
9	23x10.9in		2
10	45.6x4.7in		2
11	13x4.7in		2
12	11.8x5.8in		6

Ref	Dimensions	Visual	Qty
13	11.8x5.8in		6
14	20.9x5.8in		6
15	21.2x11.7in		6
16	11.3x1.9in		6
17	23.6x8.1in		1
18	23.6x8.1in		1
19	23.6x8.1in		1
20	23.6x8.1in		1
21	23.6x8.1in		1
22	23.6x8.1in		1

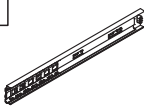
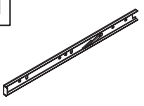

# Parts and fittings

## Fittings

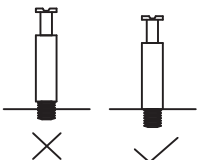
Please check you have all the fittings listed below with your product.

					
<p>M5*35mm Cam Lock Screw</p>	<p>Ø15*10mm Cam Lock</p>	<p>Ø8*30mm Dowel</p>	<p>M8*40mm Wall Anchor</p>	<p>M3*12mm Screw</p>	<p>Plastic Buckle</p>
<p>80pcs+8pcs extra</p>	<p>80pcs+8pcs extra</p>	<p>18pcs+2pcs extra</p>	<p>2pcs</p>	<p>16pcs+2pcs extra</p>	<p>16pcs+2pcs extra</p>
					
<p>M4*40mm Screw</p>	<p>Mat</p>	<p>Wall Bracket</p>	<p>M4*12mm Screw</p>	<p>M4*30mm Screw</p>	
<p>8pcs+1pc extra</p>	<p>6pcs</p>	<p>2pcs</p>	<p>2pcs</p>	<p>36pcs+4pcs extra</p>	

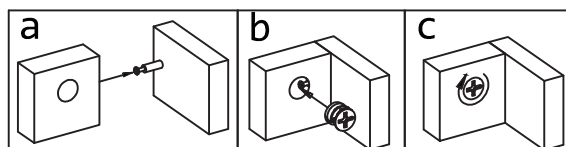
## Pre- assembled Fitting

		
<p>Slide</p>	<p>Slide</p>	<p>M3.5*12mm Screw</p>
<p>12pcs</p>	<p>12pcs</p>	<p>72pcs</p>

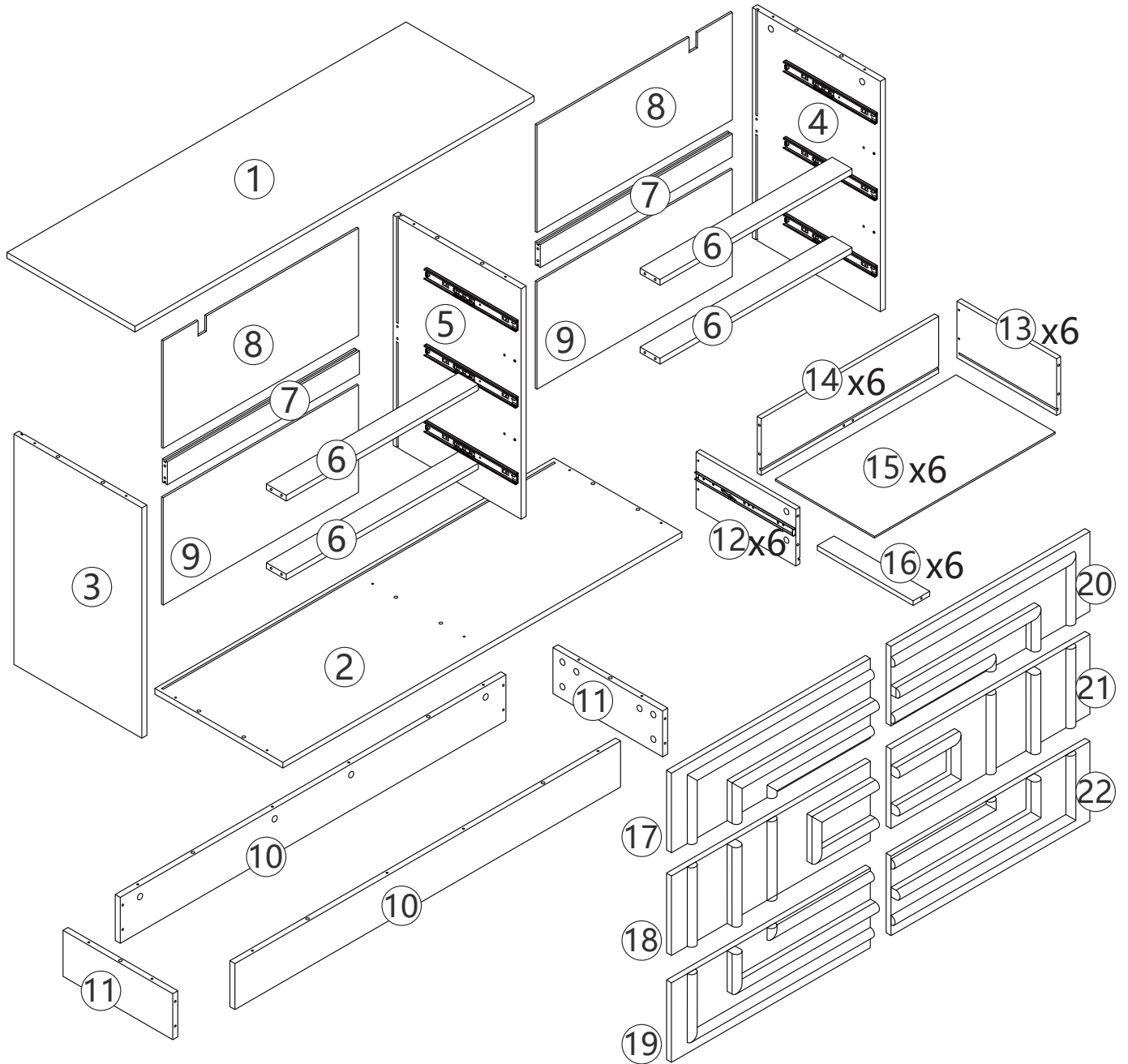
Ensure the cam lock screws are installed correctly, as indicated by the "check mark" below.



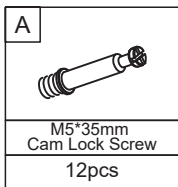
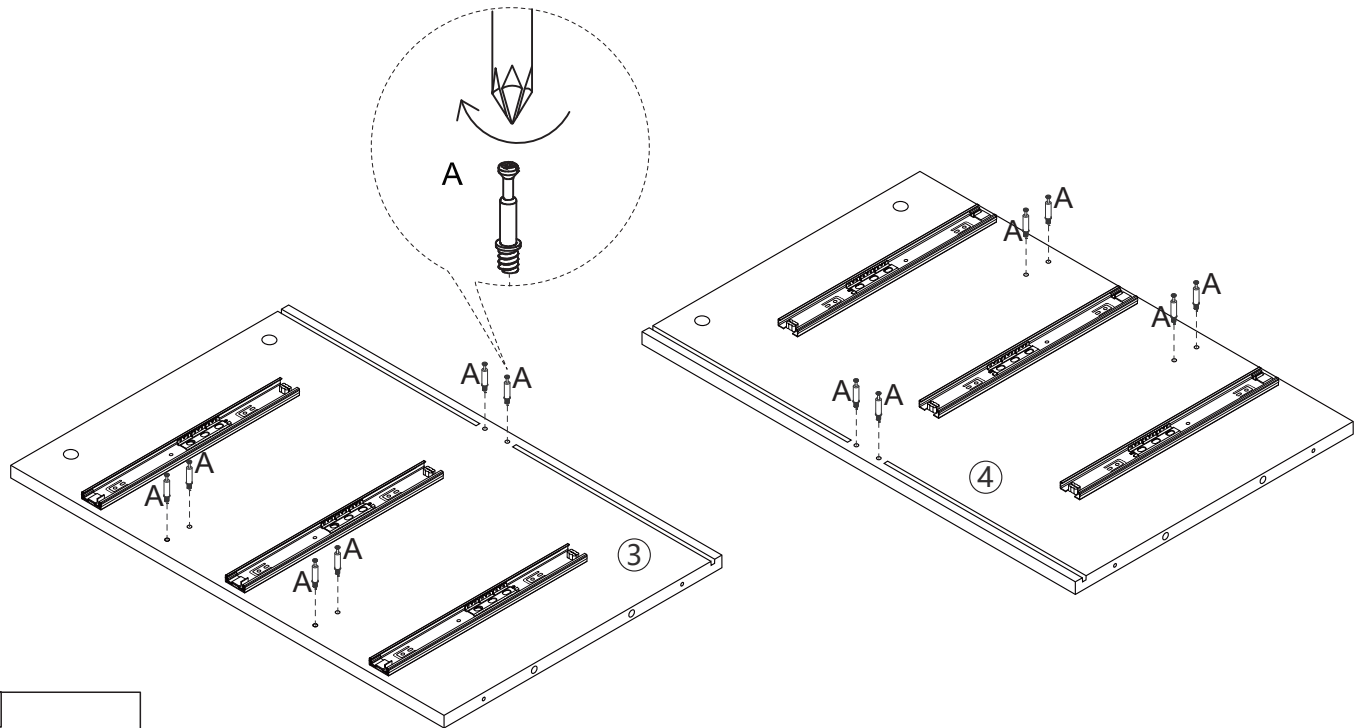
Refer to the illustration below to correctly use the cam lock screws for assembling the panels.



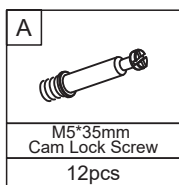
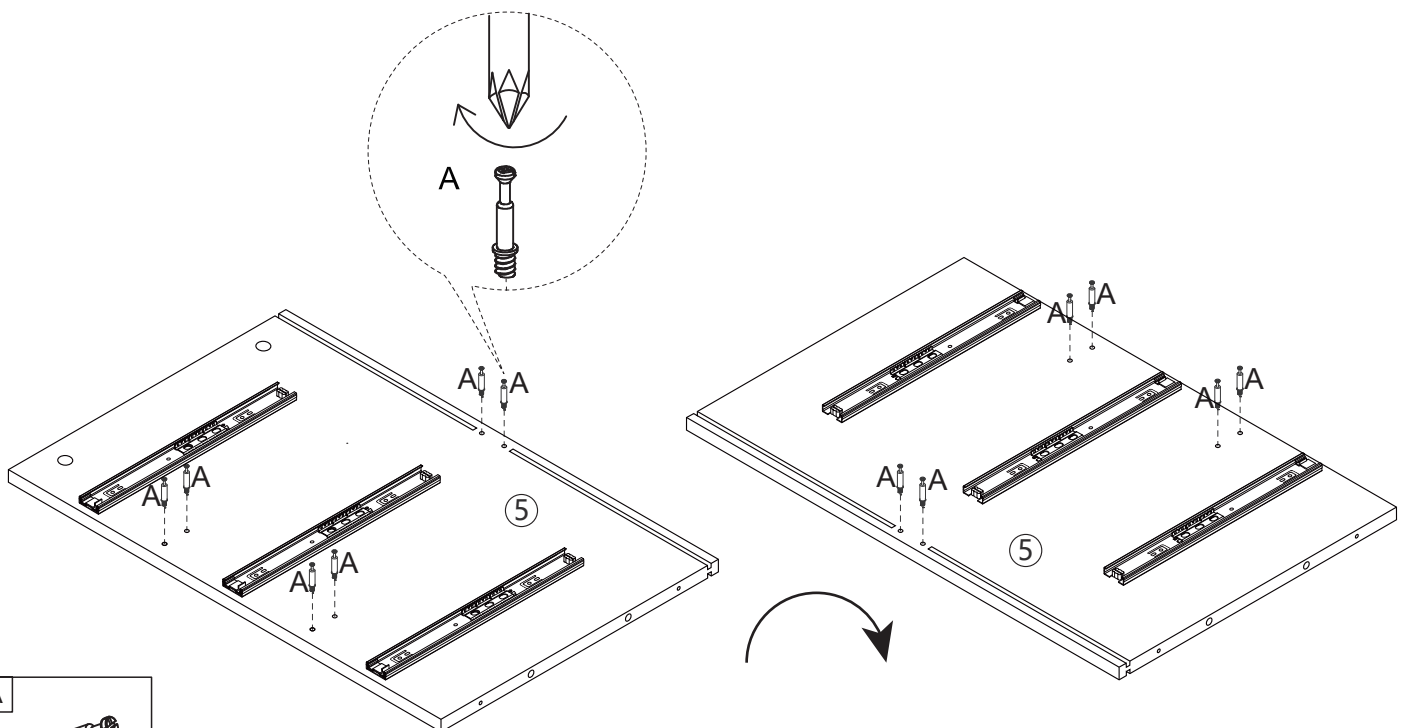
# Exploded view



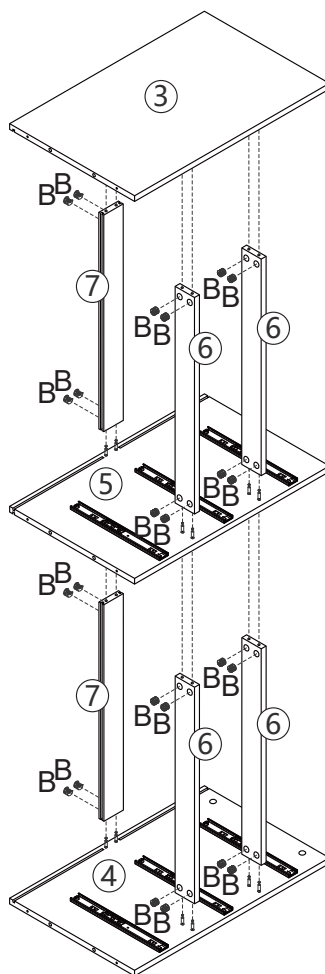
## Step 1.




## Step 2.

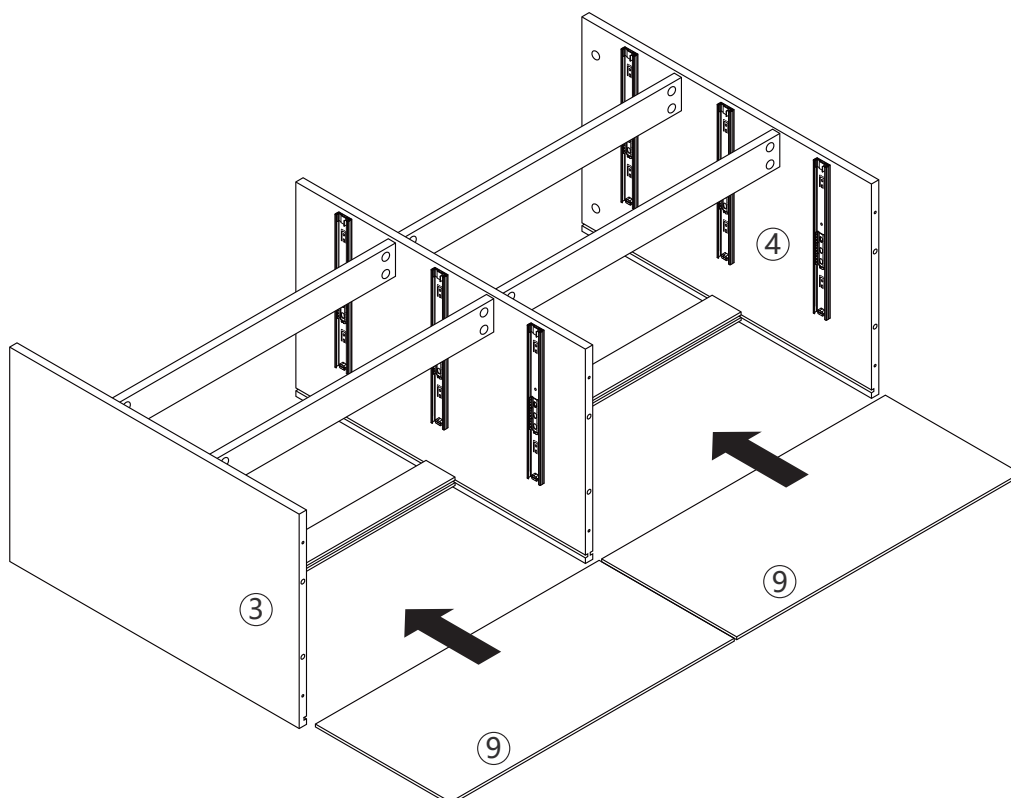


### Step 3.

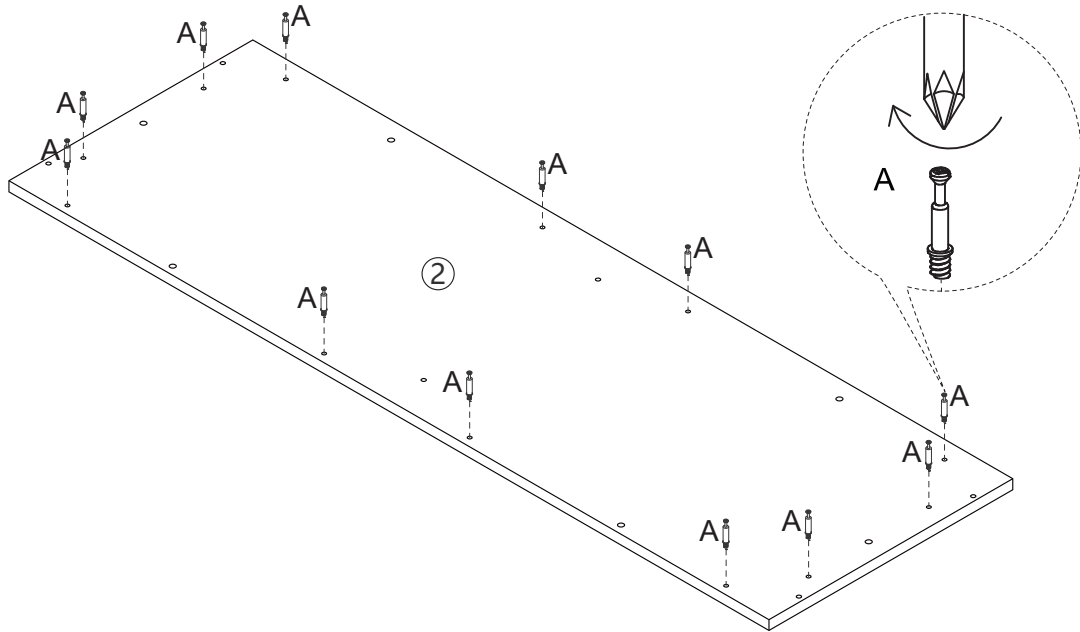


B	
Ø15*10mm Cam Lockk	
24pcs	

### Step 4.

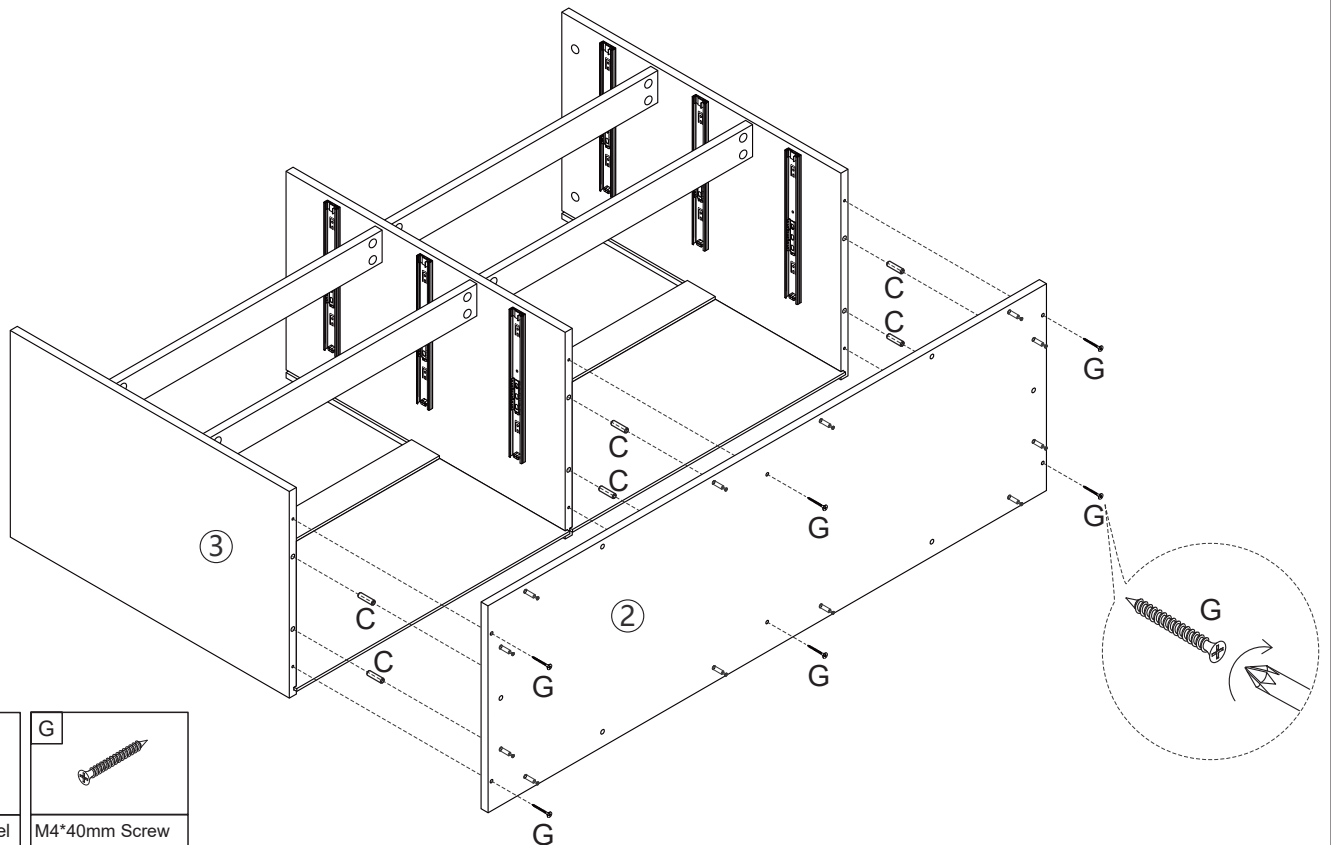


## Step 5.



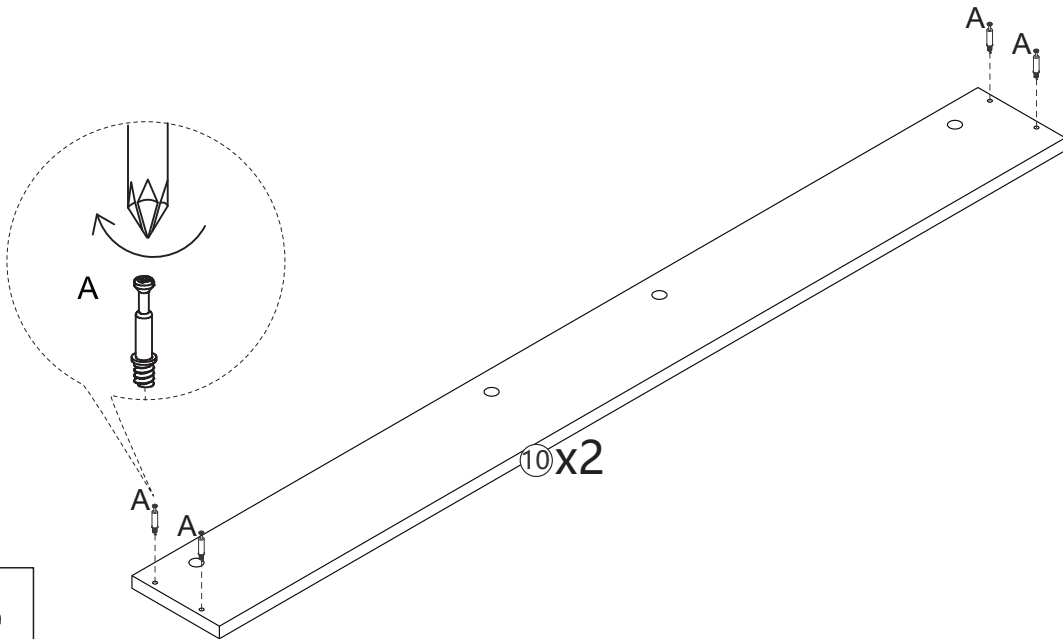
A	
M5*35mm Cam Lock Screw	
12pcs	


## Step 6.



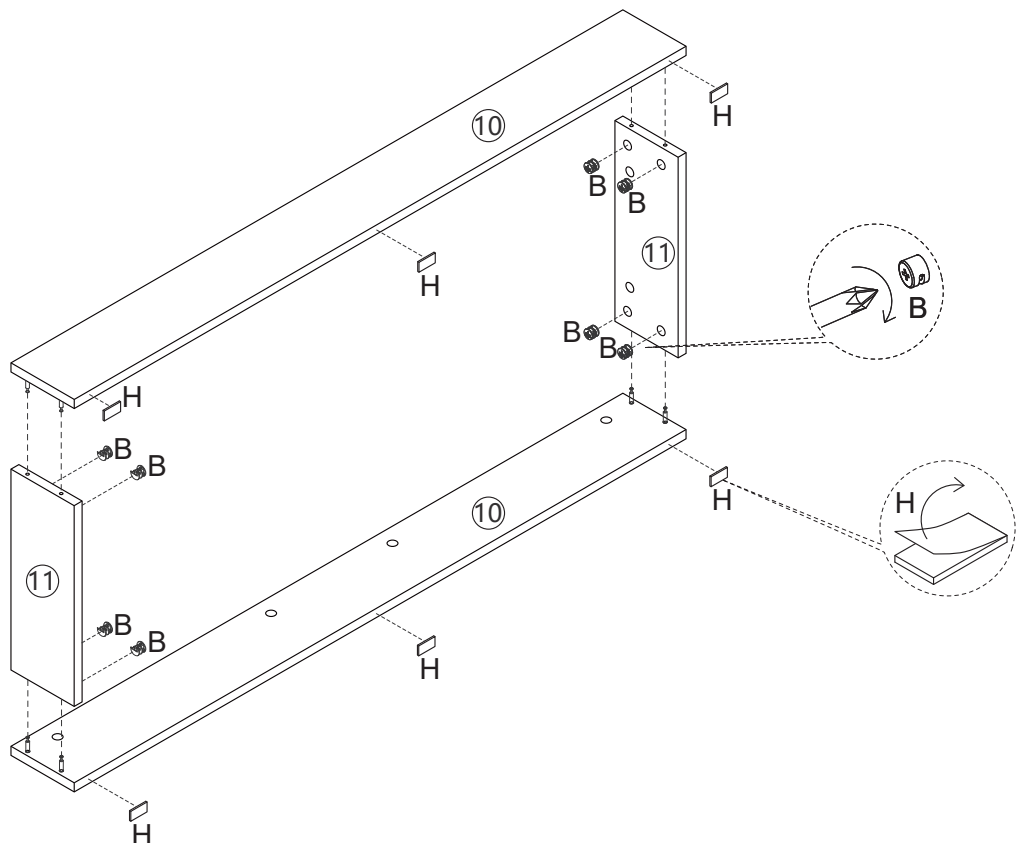
C		G	
Ø8*30mm Dowel		M4*40mm Screw	
6pcs		6pcs	


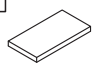
## Step 7.



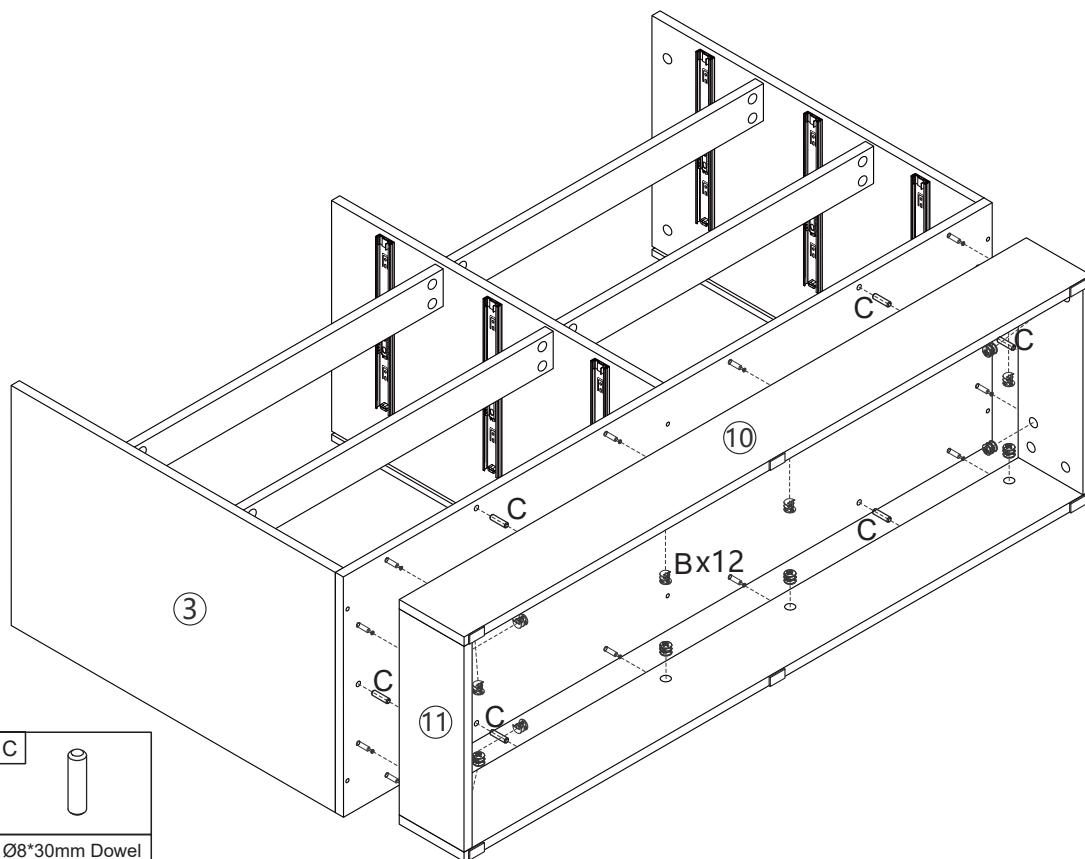
A

M5*35mm Cam Lock Screw
8pcs



## Step 8. Assemble the foot panel and attach the foot pad as shown in the picture.



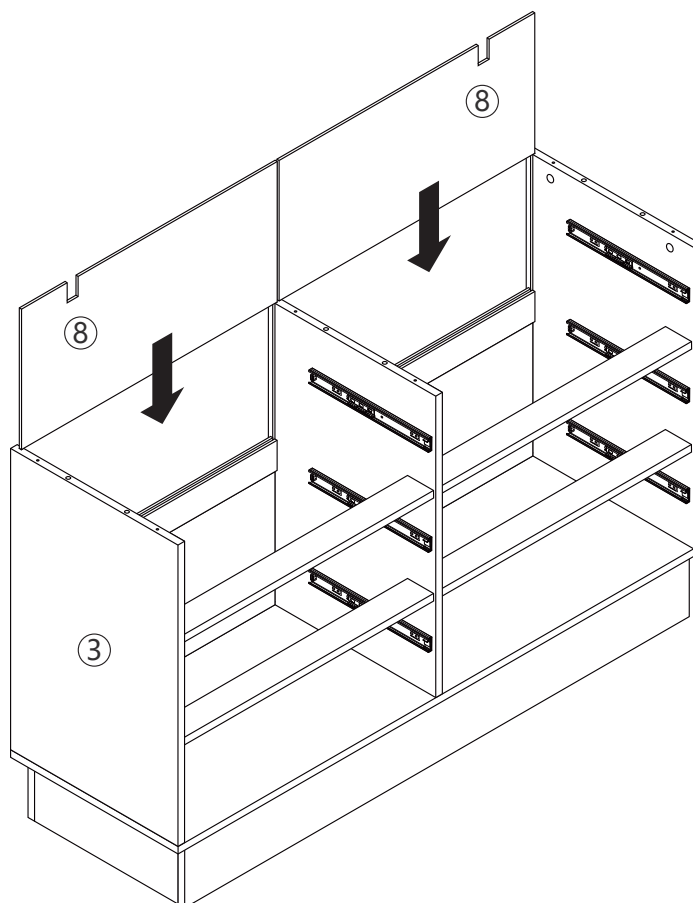
B	H
	
Ø15*10mm Cam Lockk	Mat
8pcs	6pcs

# Step 9.

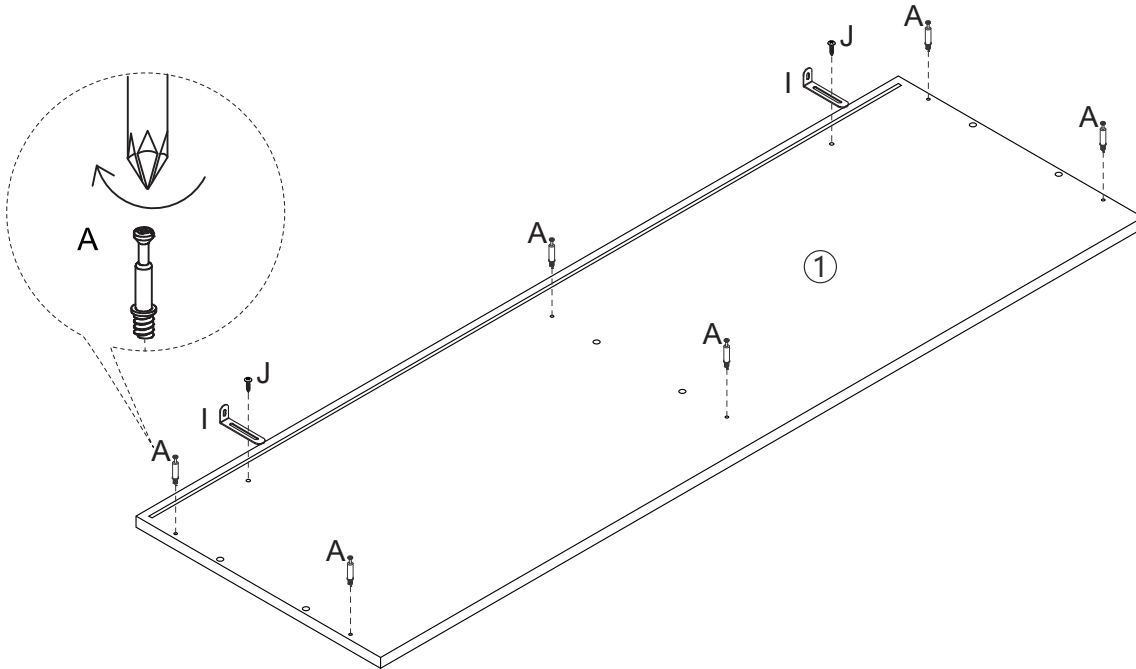





B	C
 Ø15*10mm Cam Lockk 12pcs	 Ø8*30mm Dowel 6pcs

# Step 10.

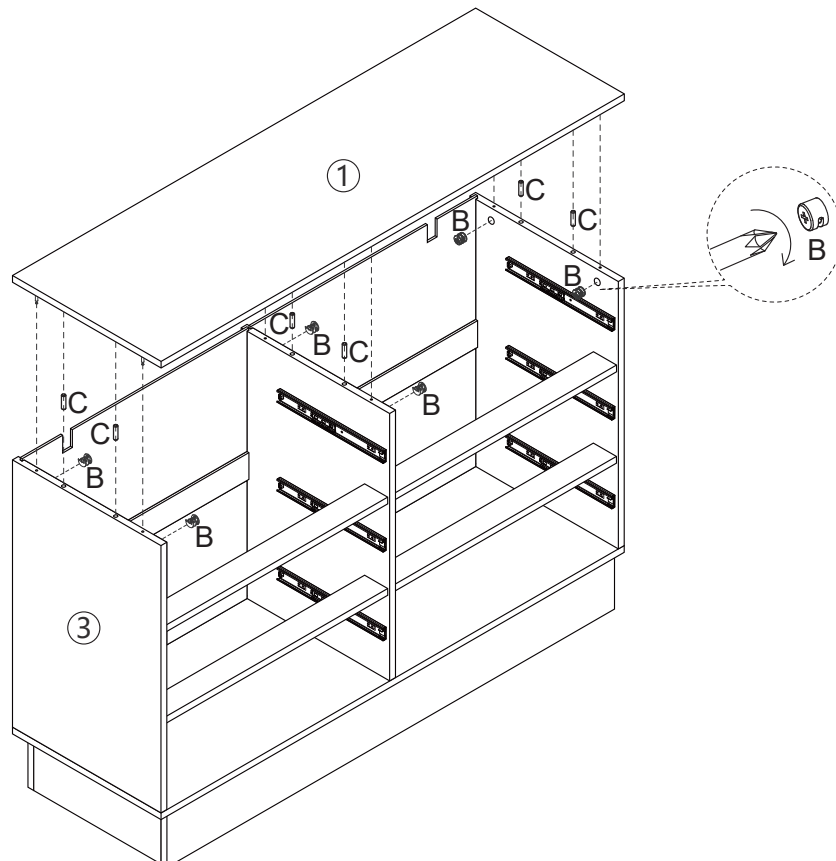




## Step 11.



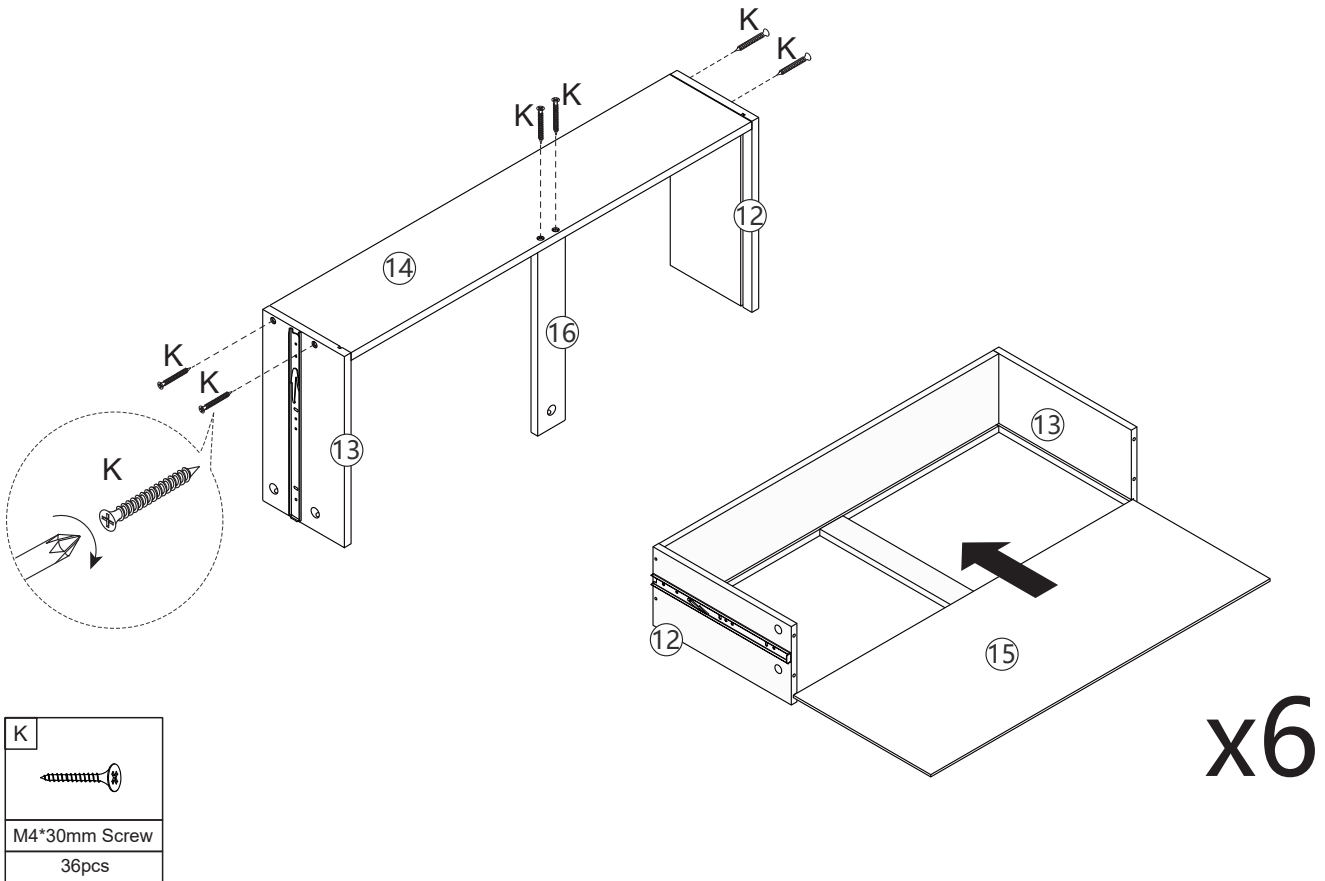
<p><b>A</b></p> 	<p><b>I</b></p> 	<p><b>J</b></p> 
<p>M5*35mm Cam Lock Screw 6pcs</p>	<p>Wall Bracket 2pcs</p>	<p>M4*12mm Screw 2pcs</p>

## Step 12.

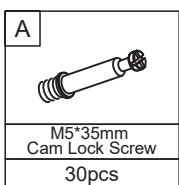
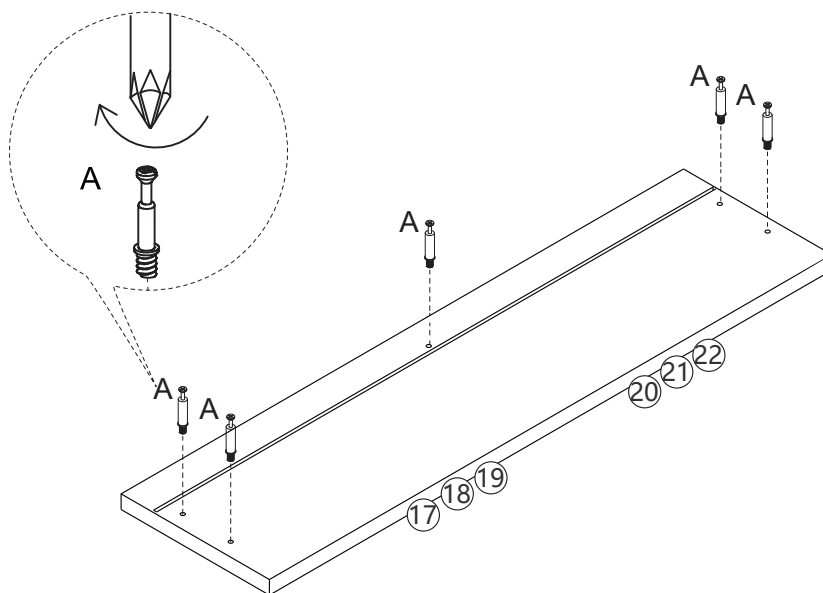


<p><b>B</b></p> 	<p><b>C</b></p> 
<p>Ø15*10mm Cam Lock 6pcs</p>	<p>Ø8*30mm Dowel 6pcs</p>

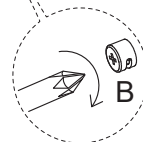
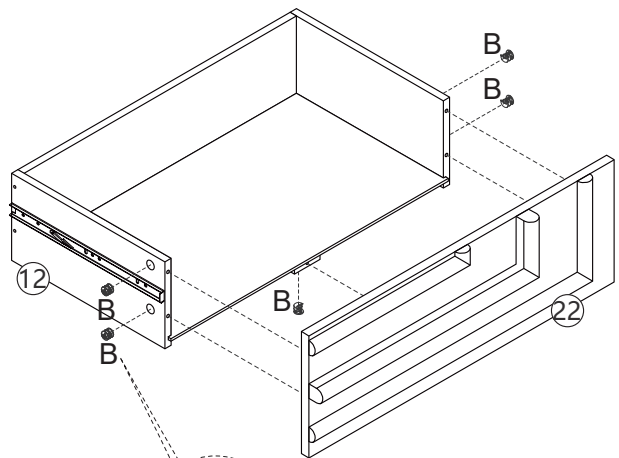
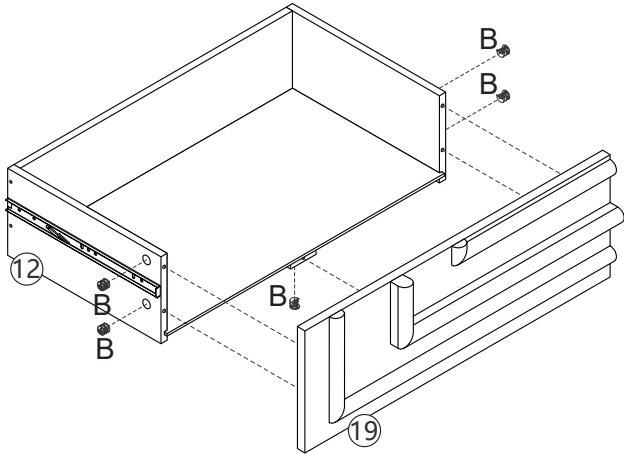
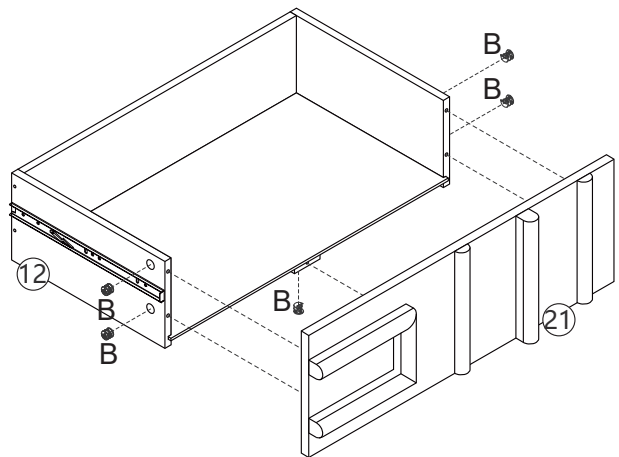
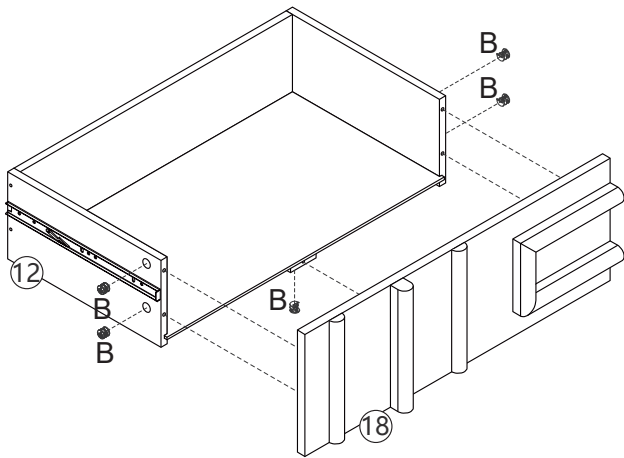
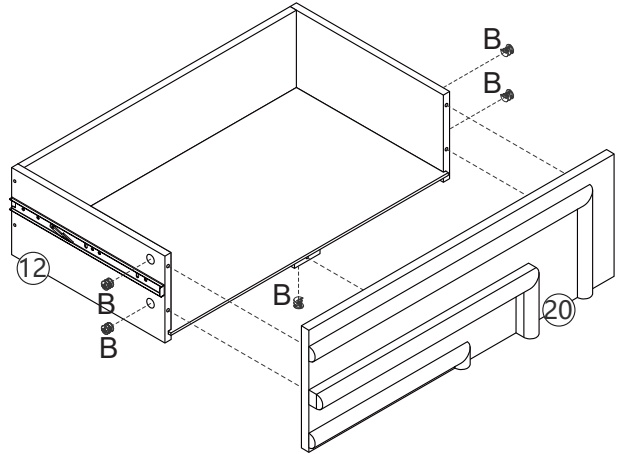
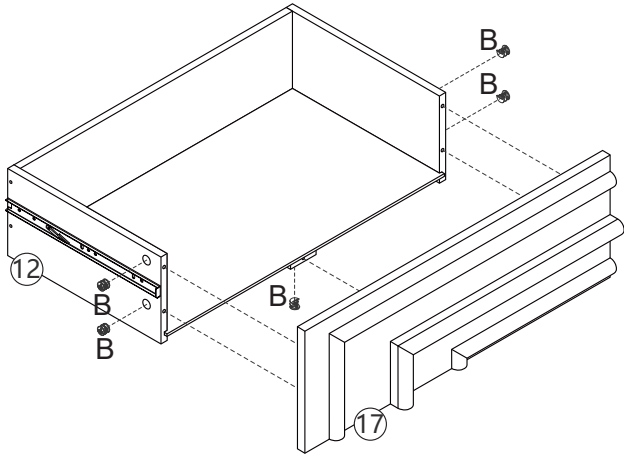
### Step 13.




### Step 14.

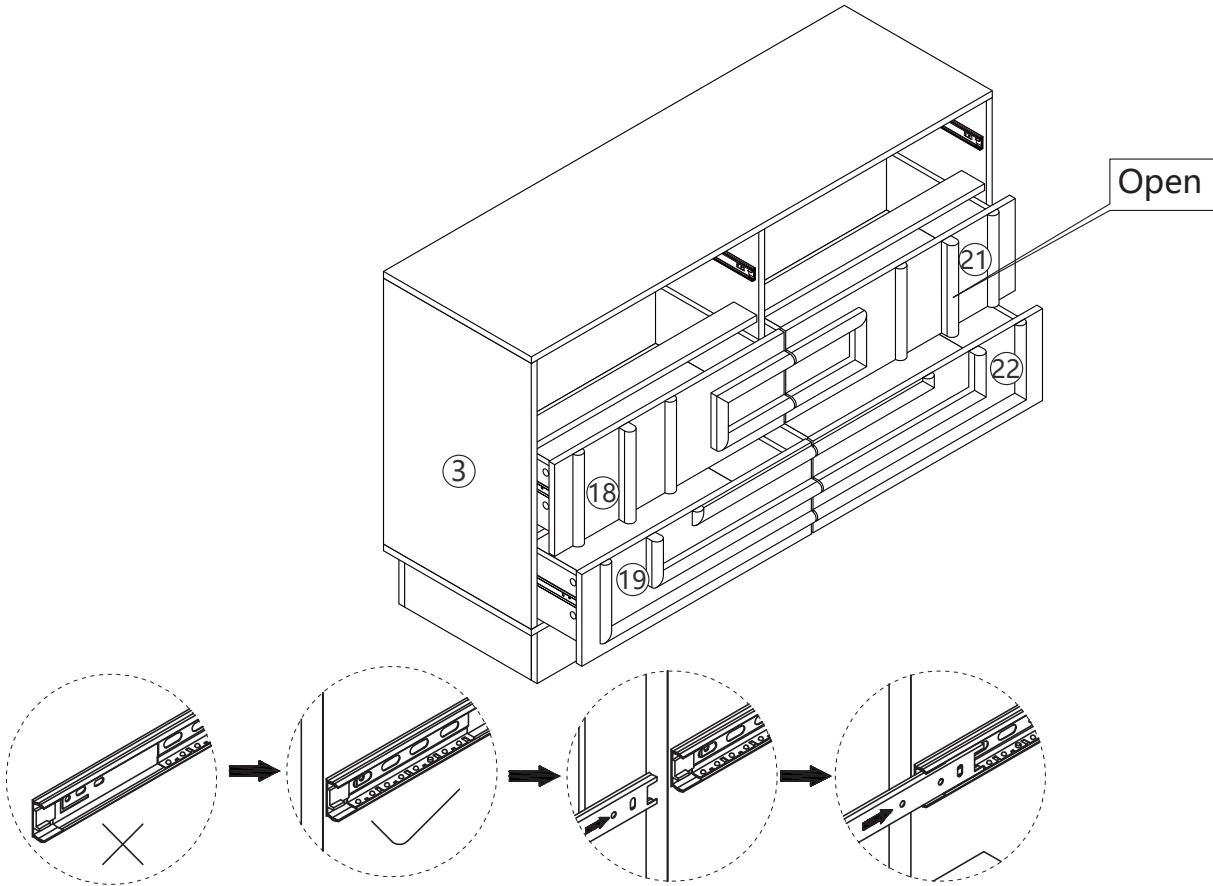


Step 15.

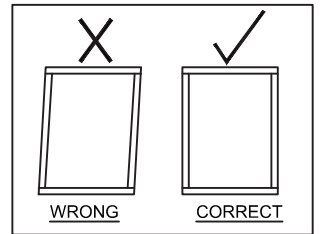


B	
Ø15*10mm Cam Lockk	
30pcs	

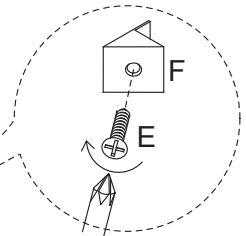
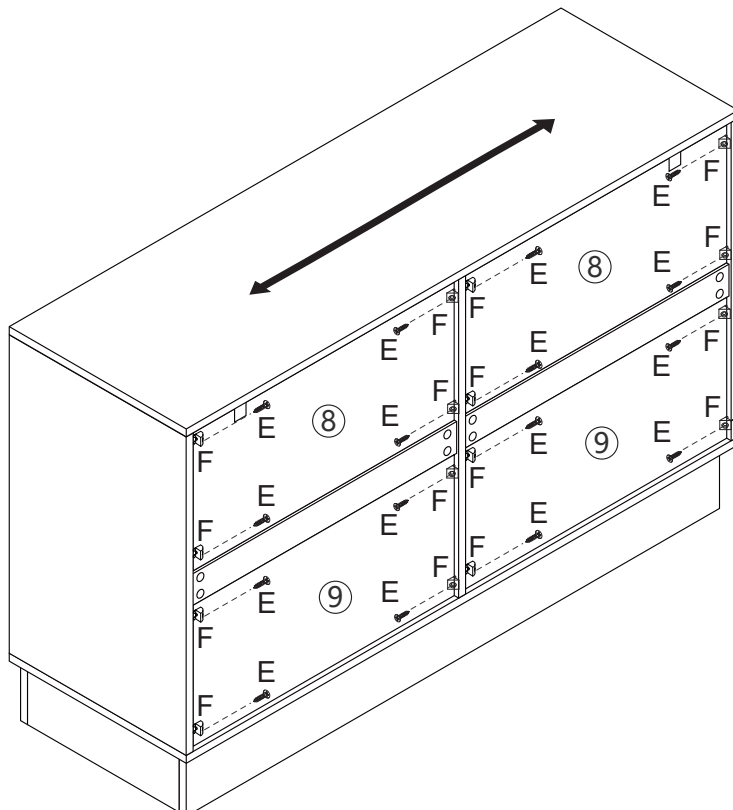
Step 16.





Step 17. Attach the plastic buckles and screws.

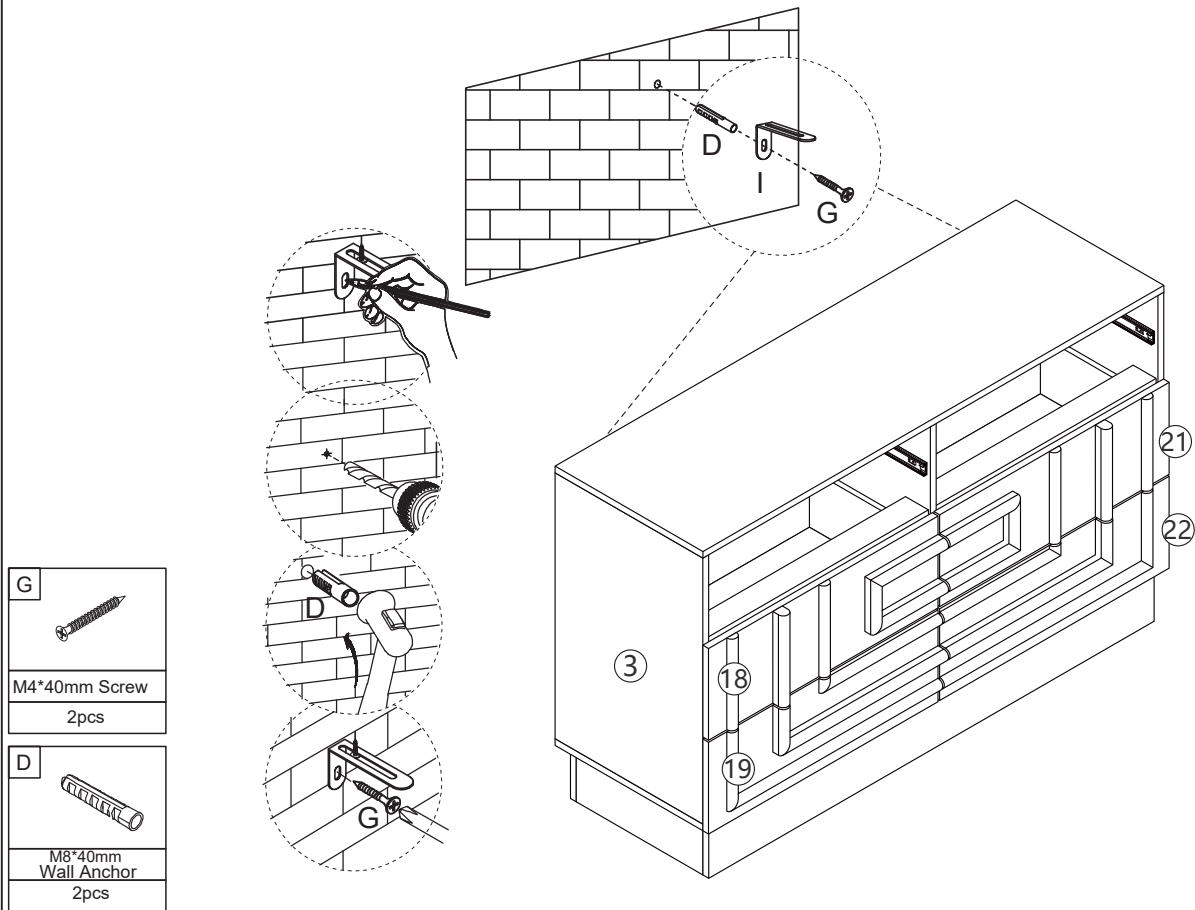


NB: Before tightening the plastic buckles and screws, please ensure the frame is square

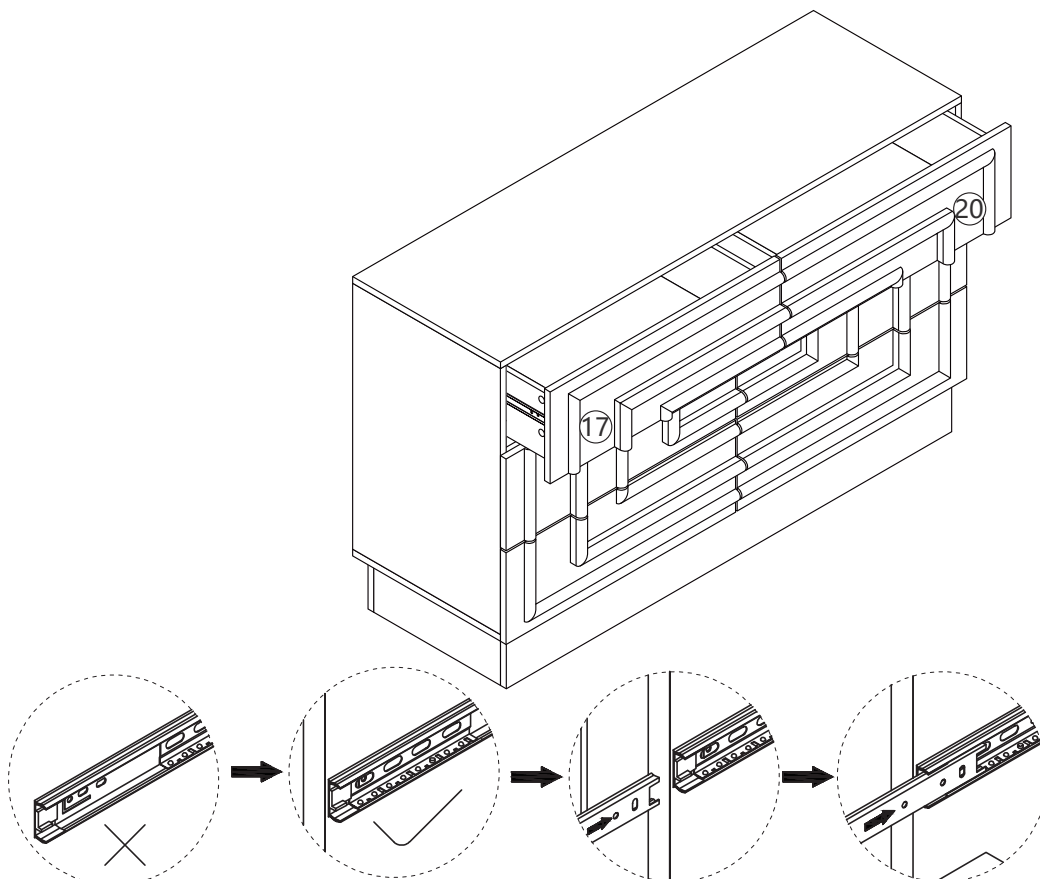


	
Plastic Buckle 16pcs	M3*12mm Screw 16pcs

Step 18. Drill holes in the wall, insert expansion bolts, and then fix the furniture to the wall with screws.

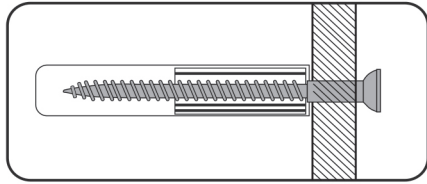


Step 19.



# Wall fixings

## Step by step



## Important

When drilling into walls always check there are no hidden wires or pipes etc. Make sure that the screws and wall plugs being used are suitable for supporting your unit. Consult a qualified tradesperson if you are unsure.

## Hints

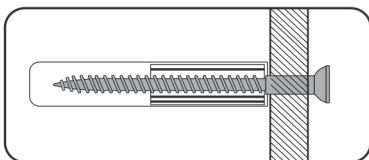
1. General Rule; Always use a larger screw and wall plug if you are not sure.
2. Ensure you use the recommended drill bit to match the wall plug and hole size.
3. Ensure you drill the hole horizontally, do not force the drill or enlarge the hole.
4. Take extra care when drilling high walls, ceilings and ceramic tiles. Ensure the plug is fitting below the ceramic tile to avoid splitting or cracking.
5. Ensure wall plugs are well fitted and are a tight fit in the drilled hole.

## Types of Walls

You can use one of the following types of wall plug if your walls are made of brick, breeze block, concrete, stone, wood or plastic board.

### 1. STANDARD Wall Plug

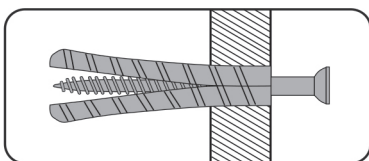
General wall materials



These come in various sizes and are made from plastic or sometimes wood fibre.

### 2. GENERAL PURPOSE Wall Plug

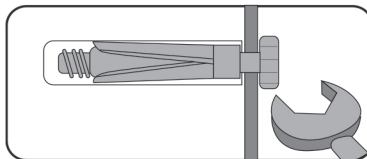
Aerated/Breeze block



Generally aerated blocks should not be used to support heavy loads, use a specialist fitting in this case. For light loads, a General Purpose Plug can be used.

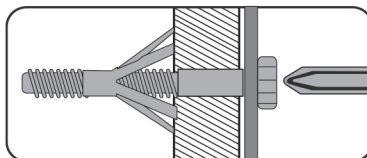
### 3. SHIELD ANCHOR Wall Plug

Heavy loads



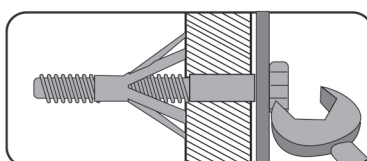
For use with heavier loads such as TV & Hi-fi Speakers and Satellite Dishes etc.

### 4. CAVITY FIXING Wall Plug



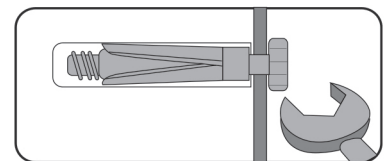
For use with plaster board partitions or hollow wooden doors.

### 5. CAVITY FIXING HEAVY DUTY Wall Plug



For use with plaster board partitions or hollow wooden doors.

### 6. HAMMER FIXING Wall Plug



For use with walls stuck with plaster board. The hammer fixing allows it to be fixed to the wall rather than the plaster board. Always check the fixing is secure to the retaining wall.

## Care and Maintenance

### ⚠ Safety

Always check the fitting and location to ensure your safety in and around the home.

### ⚠ Fitting

From time to time check the fitting to ensure the wall plugs or screws do not become loose.

---

# Wall fixings

---

- This wall fixing is provided for your safety and we recommend that once in position the unit is secured to the wall for extra stability.
- Wall fixings may vary depending on item of furniture purchased.
- Wall fittings are not provided as different wall types require different raw plugs and screws.
- Please ensure that you use fittings that are suitable for your wall type (see next page for a general guide).
- Please ensure that the head of the screws used has a diameter greater than the diameter of the hole on the wall fixing and that the fixing is safe and secure before using.
- When drilling into the walls, always ensure there are no hidden wires or pipes.
- If you are unsure, we recommend you consult a qualified tradesperson.

---

# Wood care advice

---

## Wood care advice

Wood is a natural product and each piece is individual.

As a natural product, wood is affected by temperature and humidity. We recommend that you avoid placing the furniture directly in front of heat sources such as radiators or fires as this can cause cracking or warping over time.

The colour will mellow over time and new items can vary in shade from items that you have already purchased.

Strong direct sunlight can affect the colour dramatically, so try to avoid this as much as possible, we also recommend that any ornaments, coasters and items placed on the product are periodically moved around to allow the colour to mellow evenly.

Always use mats and coasters to protect the surface when placing items on the furniture. This will help to protect the finish from heat, liquids or items that might scratch your furniture.

If items are to be placed on the surface of your furniture and have rubber feet, it is advisable to use mats to prevent marking.

Always lift your furniture into place, avoid dragging it across the floor as this can cause damage to joints.

When placing furniture on a wooden or laminate floor, please ensure that the plastic or felt protectors are securely fitted and in place.

Only clean using a damp cloth and mild detergent, do not use bleach or abrasive cleaners.

From time to time check that there are no loose screws on this unit.

Remove any spills immediately to avoid staining.

Dust regularly with a soft lint free cloth or duster.

The use of abrasive polish or silicon based polishes is not advised as these can affect the polished finish and joints over time.

Uneven floors could give the impression that doors of wall units and wardrobes are out of alignment. Be aware of this and compensate if necessary by adjusting the hinges or packing a corner to level the item. Please refer to the instructions, included with your furniture, and adjust accordingly.

If your furniture becomes stained, scratched, chipped or suffers other damage, we recommend professional help is sought to restore it. Please contact our customer services line for recommended agents.

Always follow fitting instructions carefully and retain them for future use.