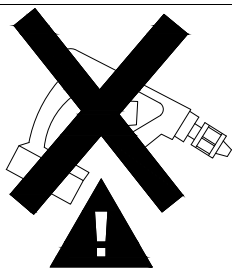
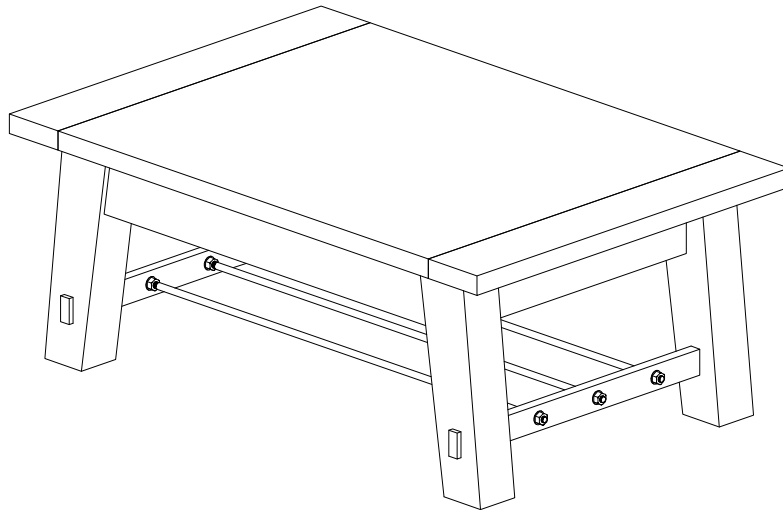
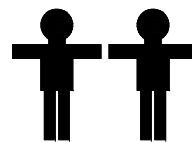


ASSEMBLY INSTRUCTION

COFFEE TABLE

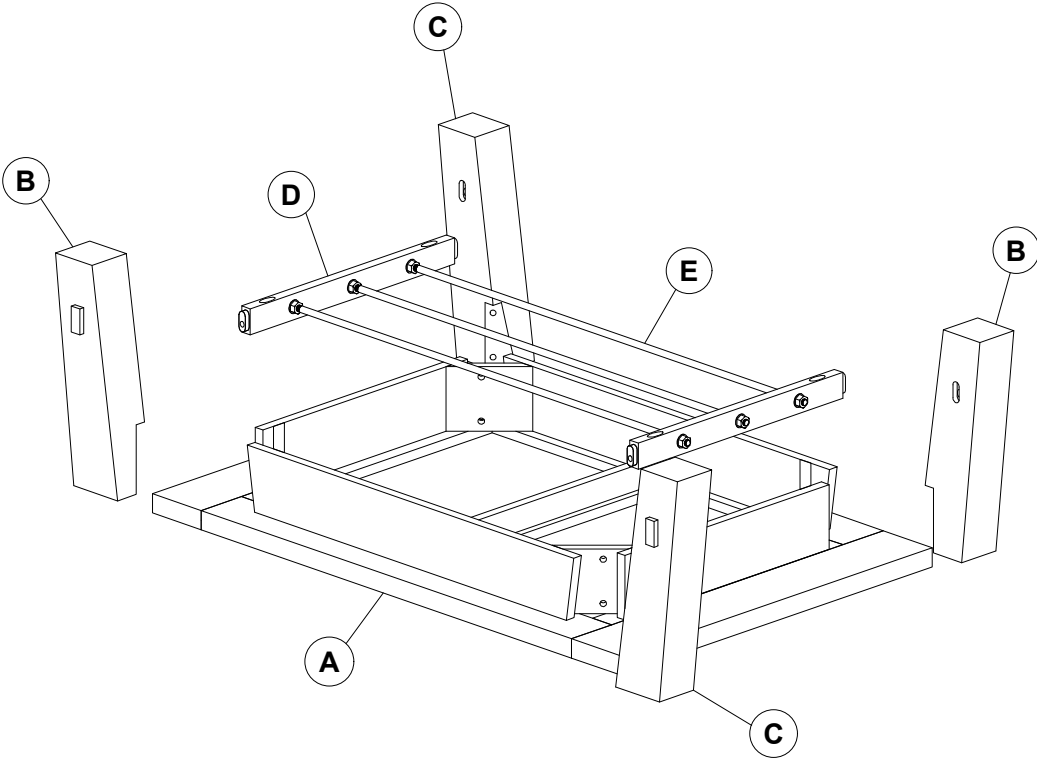


. Use of power tool to assemble this product will invalidate any claim and damage this product making it unsafe !!!
. Please assemble on a clean soft surface to avoid damage.





30 minutes


Part list- Coffee Table



Identifying the hardware-Identify the hardware using the illustrations below

F  **08**
M6x45MM BOLT

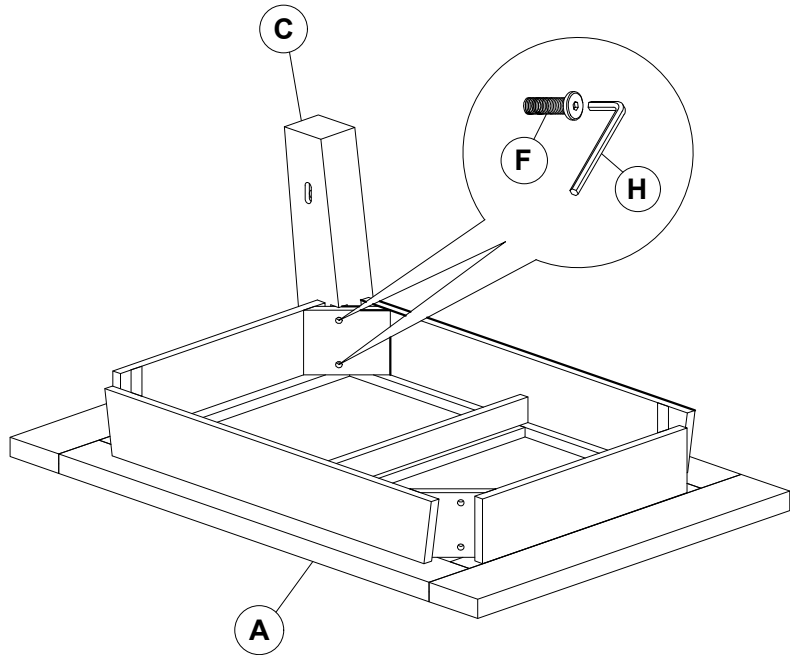
G  **04**
M6x60MM BOLT

H  **01**

Step 01

F  **02**
M6x45MM BOLT

H  **01**

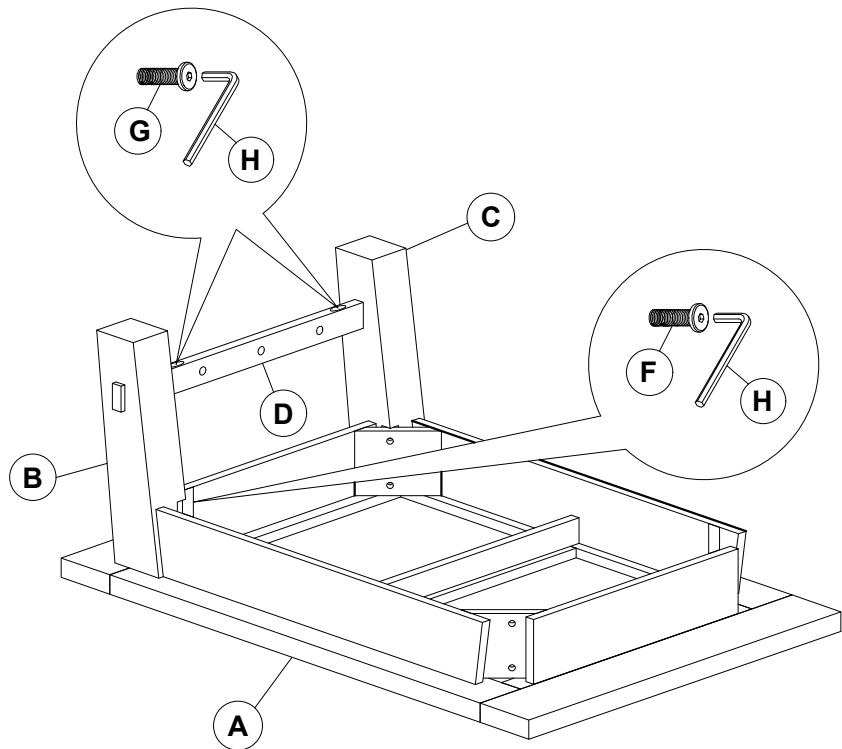


Step 02

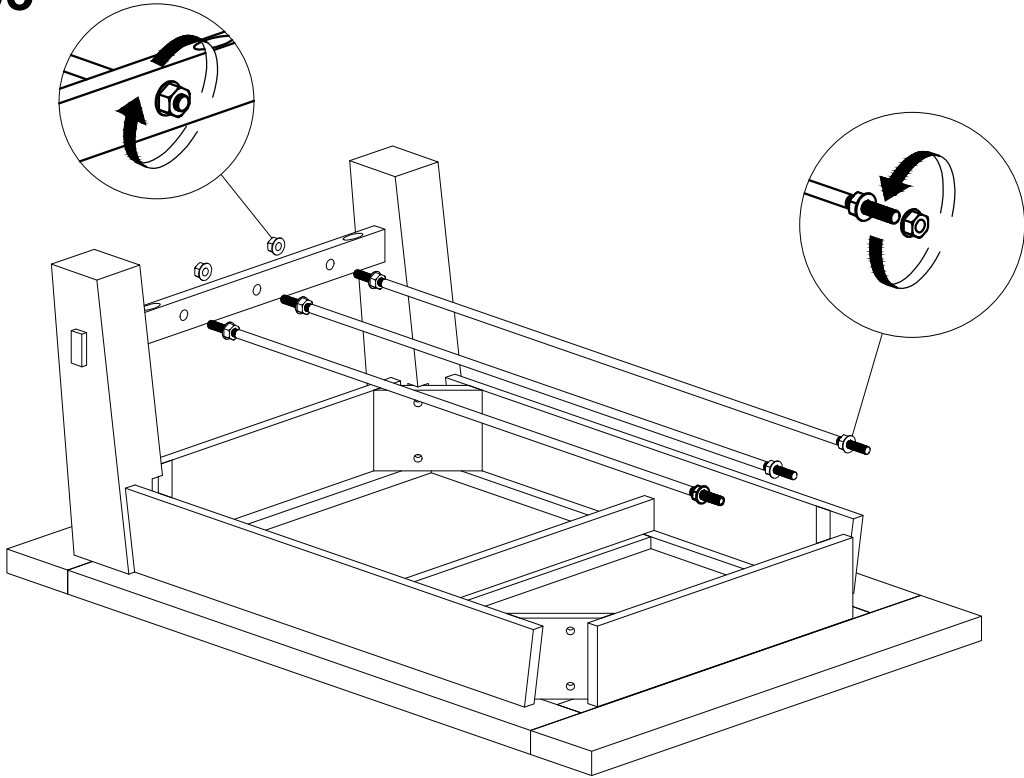
F  **02**
M6x45MM BOLT

G  **02**
M6x60MM BOLT

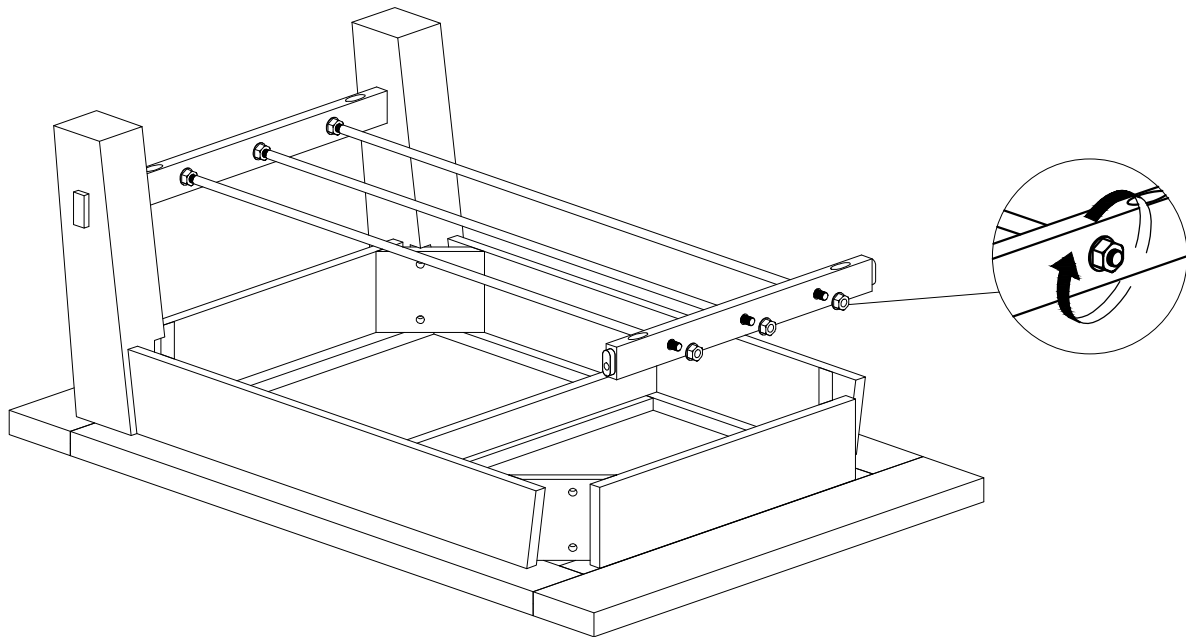
H  **01**



Step 03




Step 04



Step 05

F  **02**
M6x45MM BOLT

G  **02**
M6x60MM BOLT

H  **01**

