

# ASSEMBLY INSTRUCTIONS

## QUEEN BED (4 + 4)

### (BOX 1)

#### BOX OF HEADBOARD

NO	ITEM	QTY
A	Headboard	1
B	Headboard Leg (L&R)	2

### (BOX 2)

#### BOX OF FOOTBOARD

NO	ITEM	QTY
C	Footboard	1
D	Slat	4
E	Slat support	4

### (BOX 3)

#### BOX OF SIDE RAIL

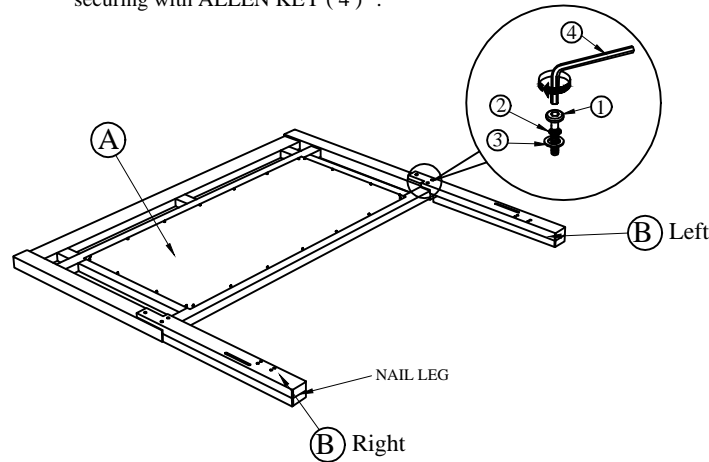
NO	ITEM	QTY
F	Side Rail	2

### (BOX 1)

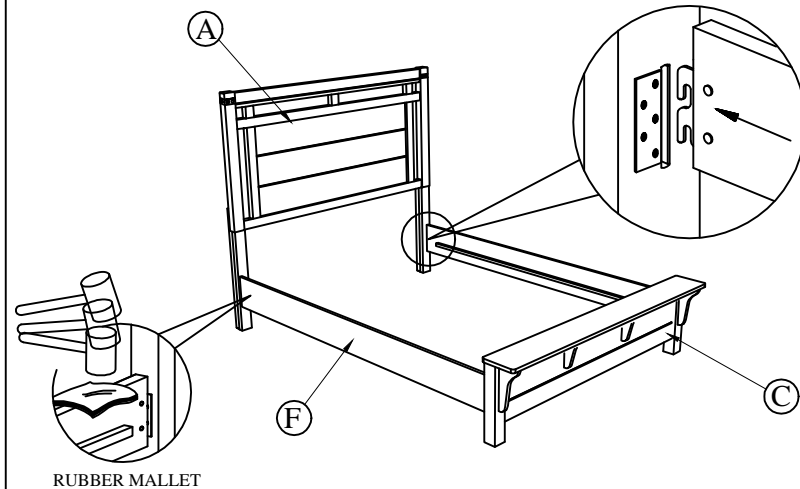
#### HARDWARE LIST

NO	ITEM	QTY
1	JCBC BOLT M6 x 35MM	6 PCS
2	SPRING WASHER 1/4" RBW	6 PCS
3	FLAT WASHER 1/4" ID x 13mmOD BLK	6 PCS
4	ALLEN KEY M4 x 65MM	1 PCS
5	CSK SCREW M4 x 32MM RBW	8 PCS

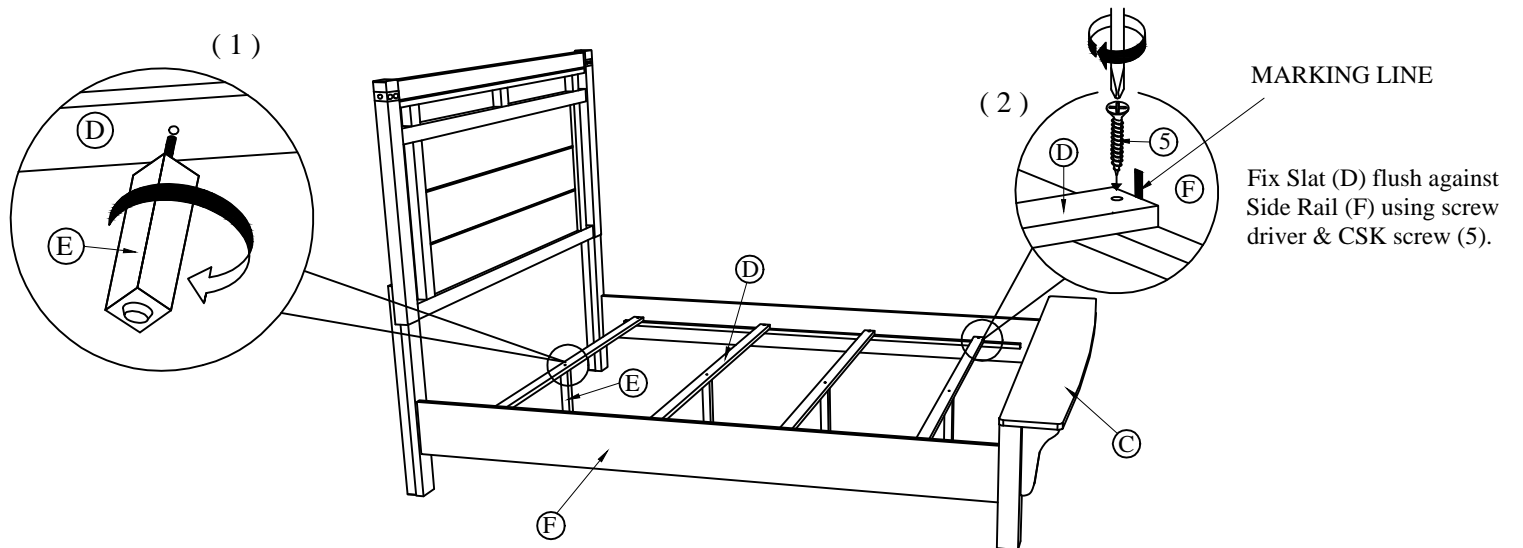
STEP 1 : Attach Head Board Leg ( B ) to Head Board ( A ) as shown using JCBC BOLT ( 1 ) , Spring Washer ( 2 ) , Flat Washer ( 3 ) and securing with ALLEN KEY ( 4 ) .



STEP 2 : Hook SIDE RAIL ( F ) TO HEAD BOARD ( A ) closely and push down to fit. repeat step 2 with other end of rail to hook onto FOOTBOARD ( C ).



STEP 3 : Fix the Bed Slats Support ( E ) to Bed Slats ( D ) as Shown and fix the Bed Slats to Side Rail ( F ) by using Flat Head Chipboard Screw ( 5 ) . Loosen or Tighten the Adjuster as necessary to level the bed. Bed assembly should be done in final location to ensure stability.



NOTE : MUST TIGHTEN SCREWS PERIODICALLY WITH USE SCREW WILL BECOME LOOSE CHECK TIGHTNESS OF ALL SCREW EVERY 6-8 WEEKS.