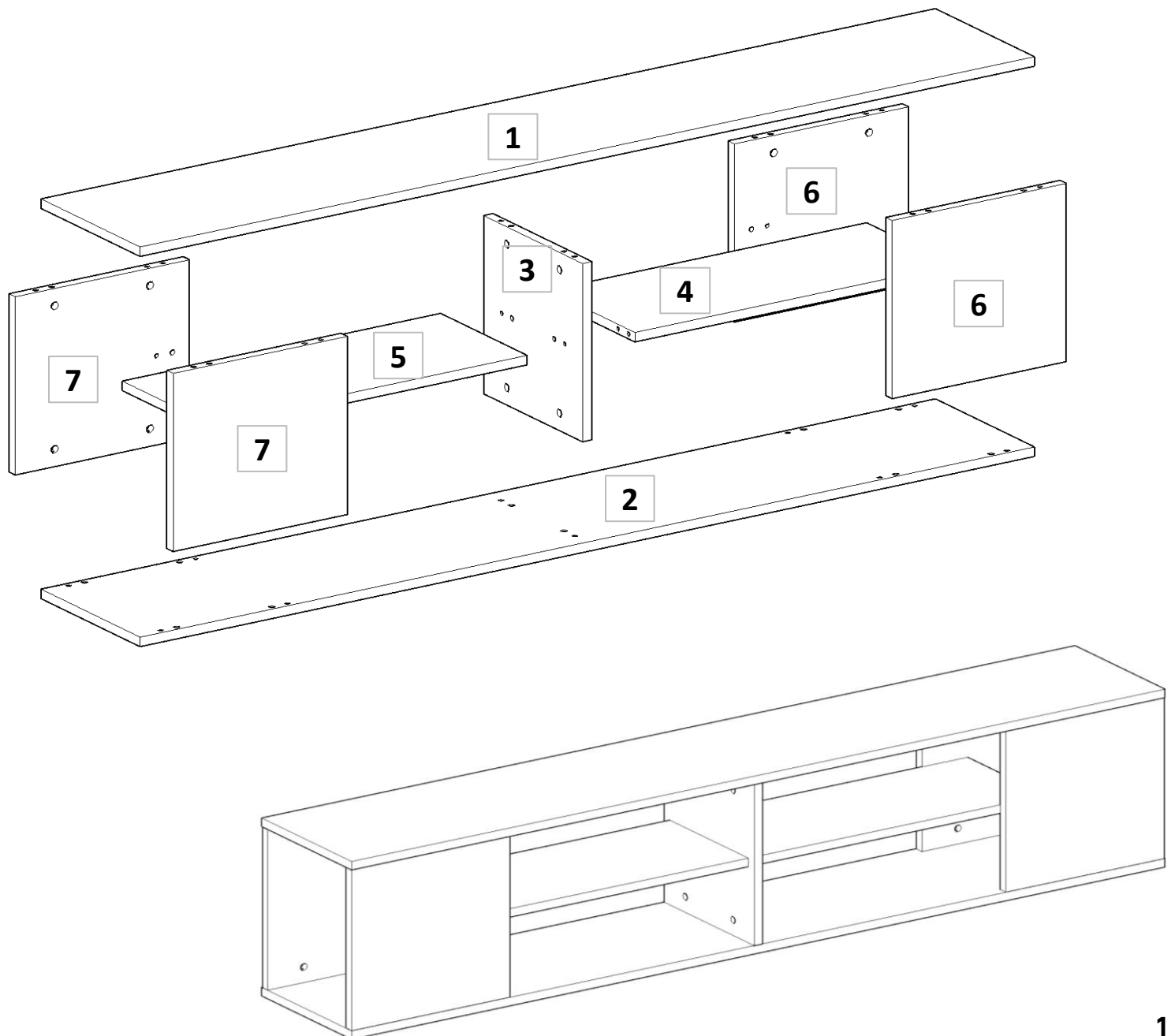


PRODUCT CODE : HF1532066

**We're here to help - Do not return this product !**

Call, email or find us online first !

- If you need help with assembly
- If you received a damaged or defective part
- If you are missing hardware



Read these assembly instructions carefully before beginning. Verify that you have in hands all the wood parts and hardware. Keep this document for future reference.



Two people are required to assemble and move this unit.



**Safety First!** Do not allow children to climb on or play with furniture.

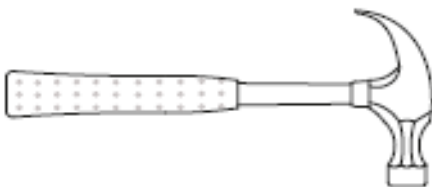
www.Jows  
Windows



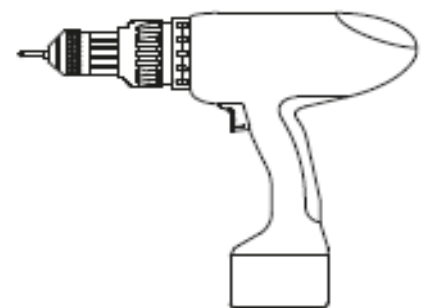
Never leave liquids or damp clothes on your furniture. Never use chemical product to clean your furniture. Do not place your furniture in direct sunlight.

To clean your furniture, dampen a soft cloth with a mild solution of dishwashing liquid. Squeeze excess water. Clean unit and wipe it dry.


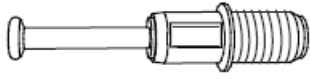

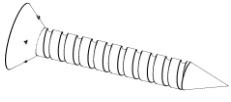
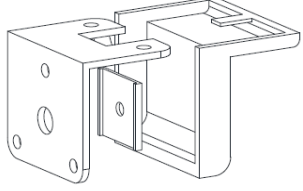
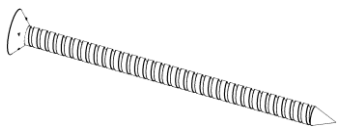
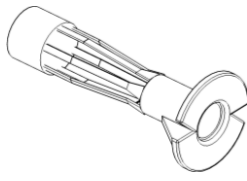



## Tools required

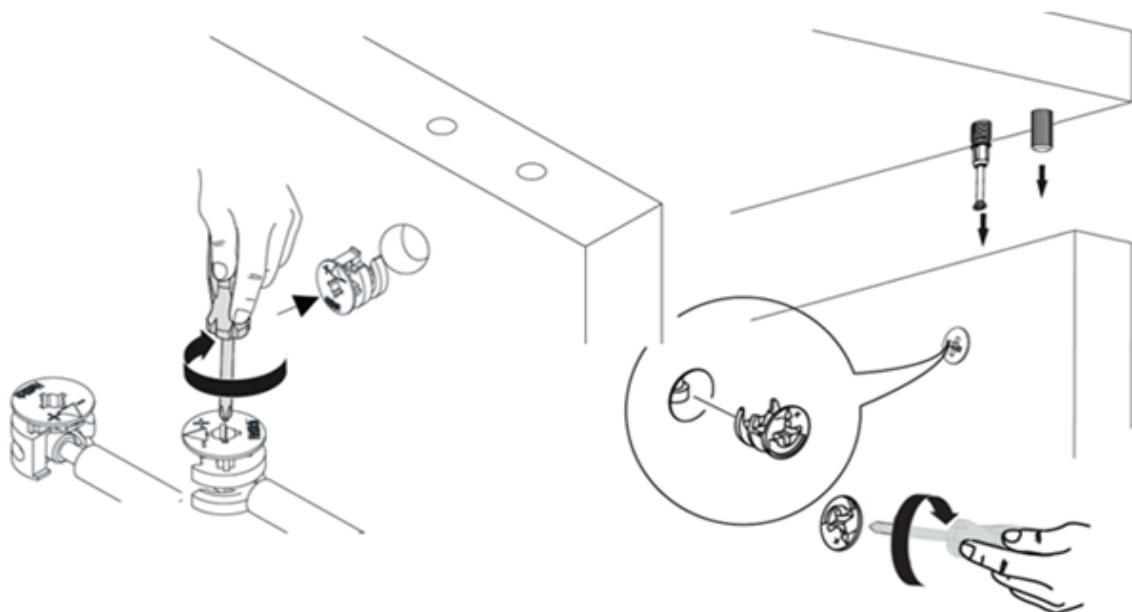
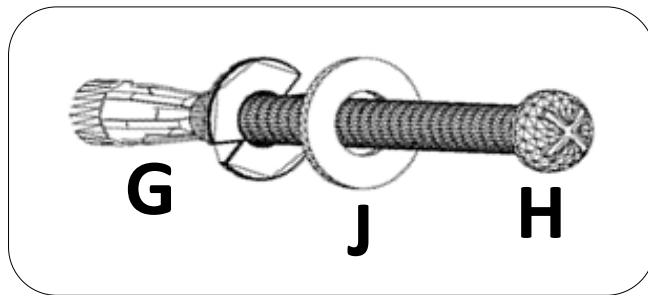


**stud sensor**

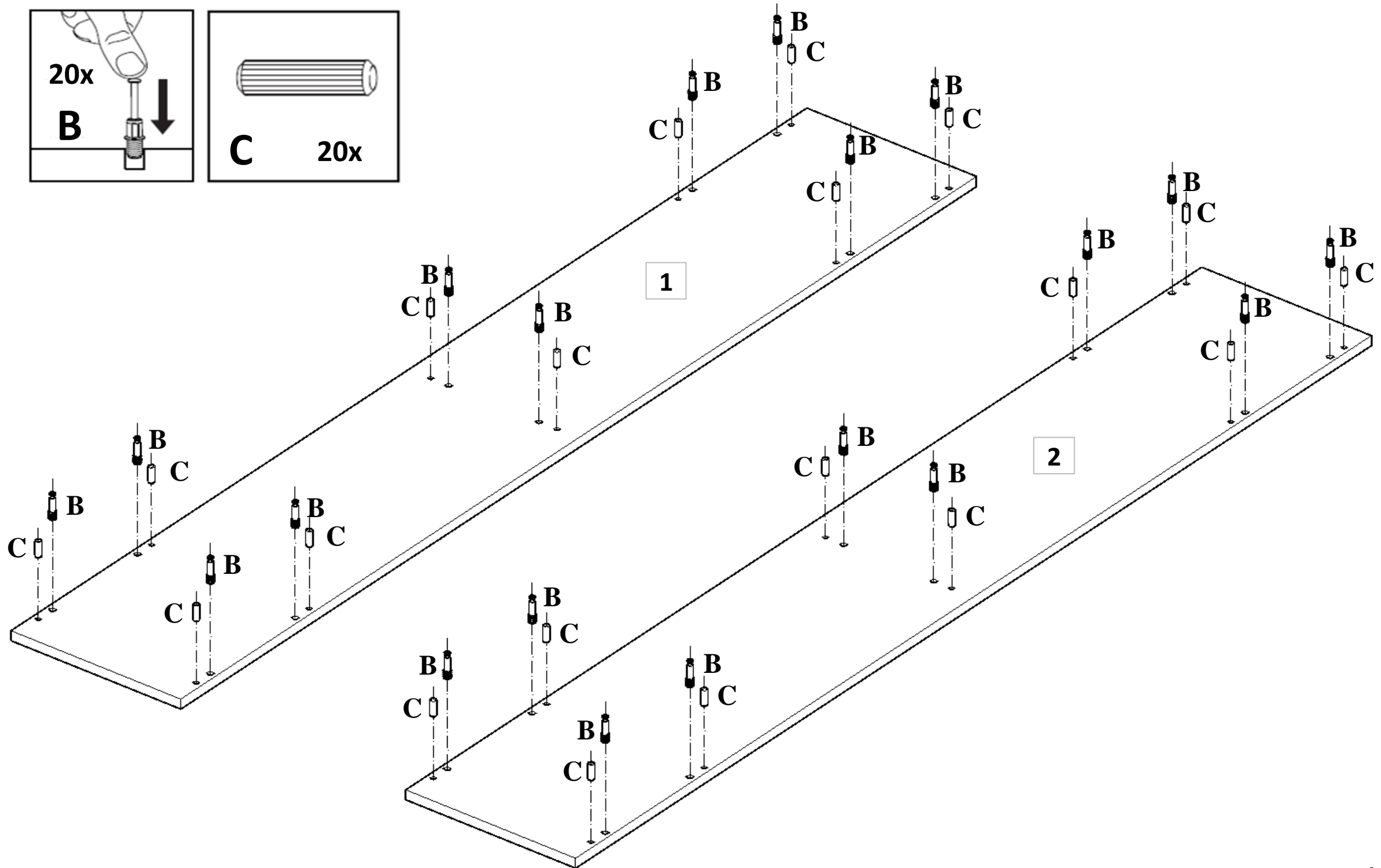
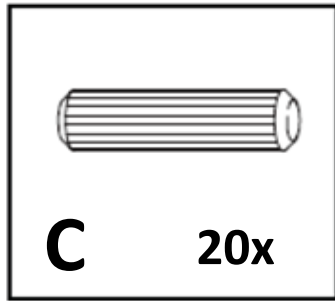
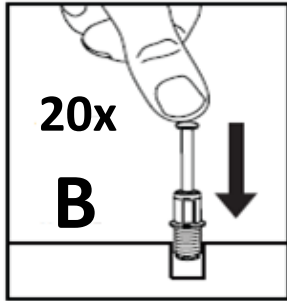


# Hardware List

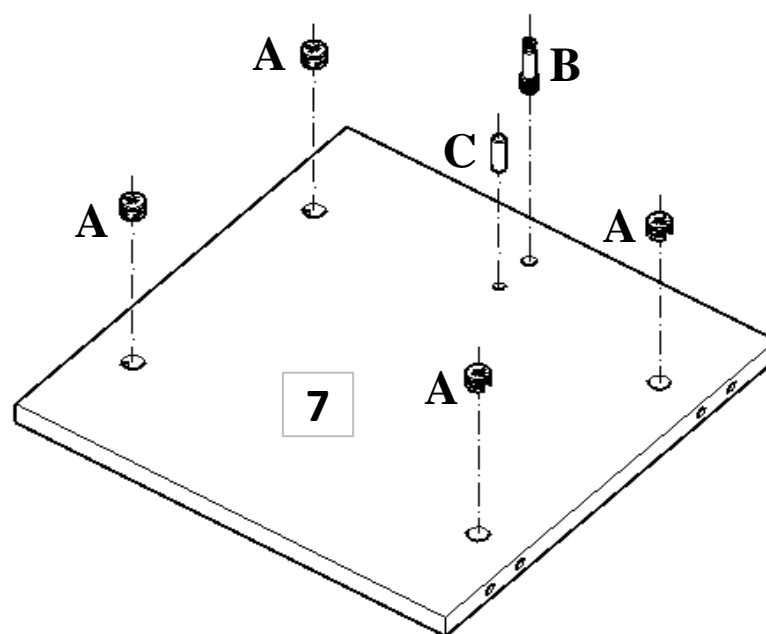
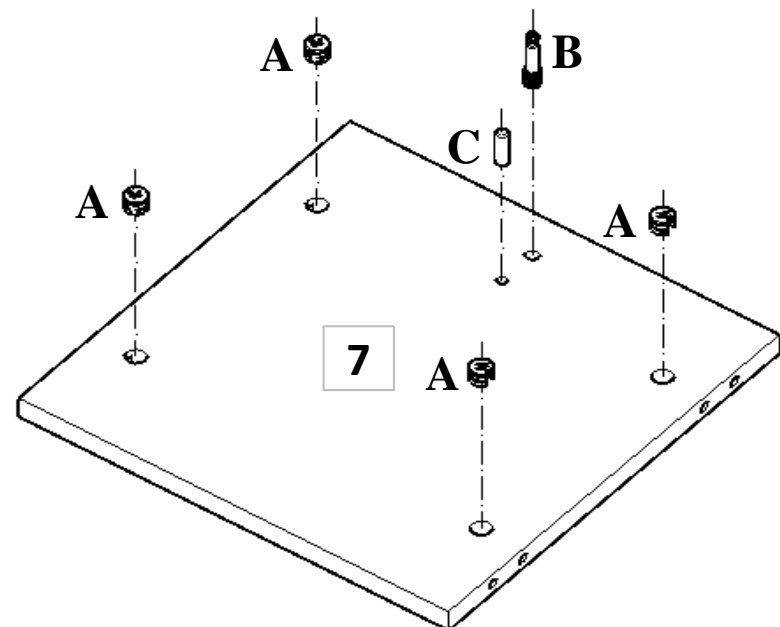
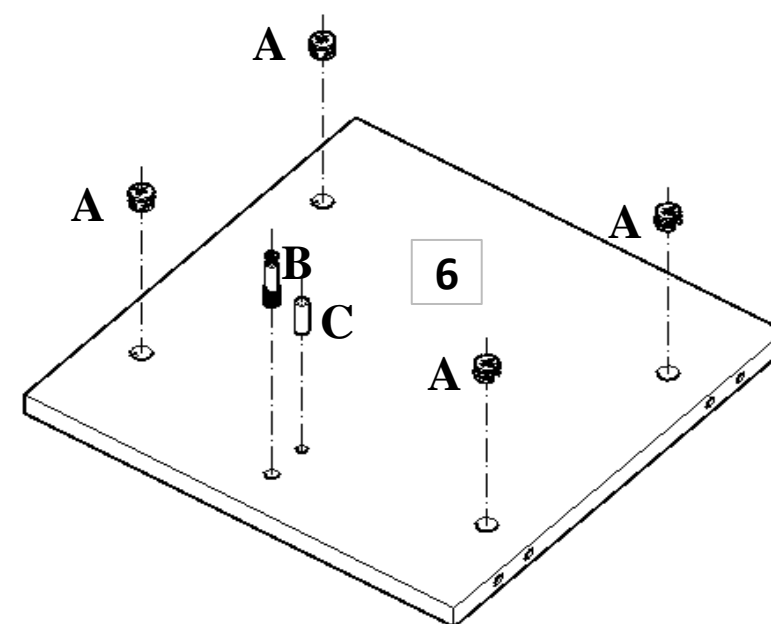
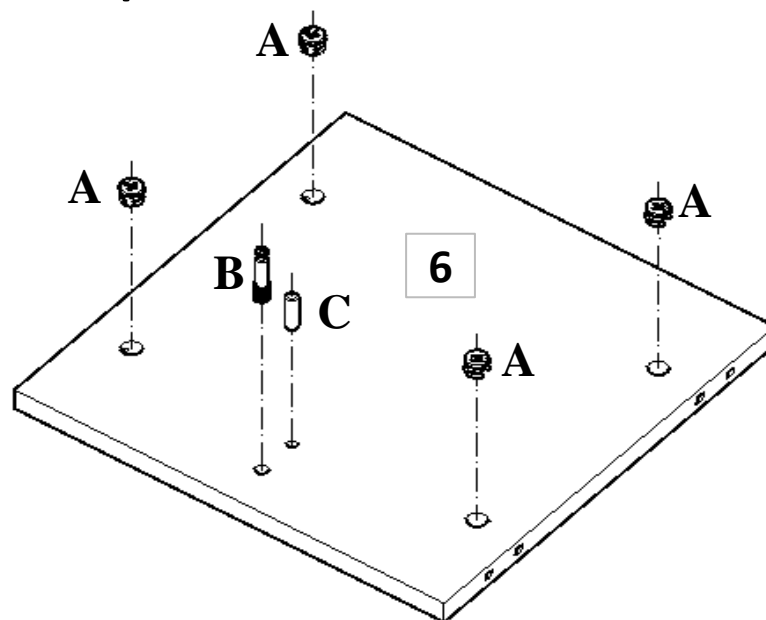
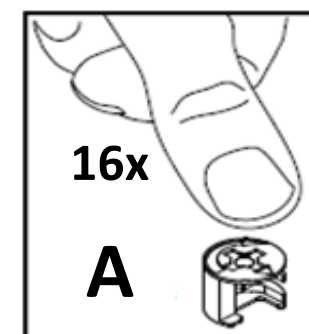
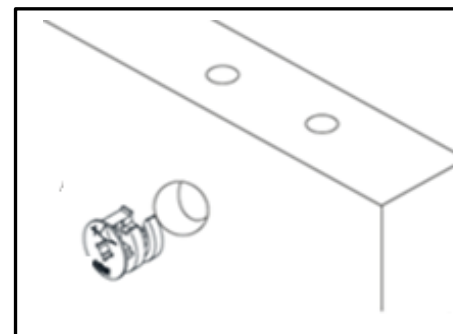
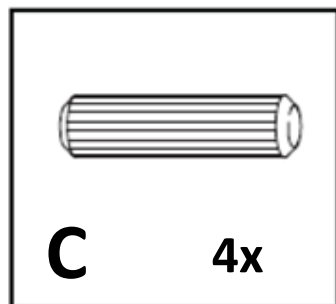
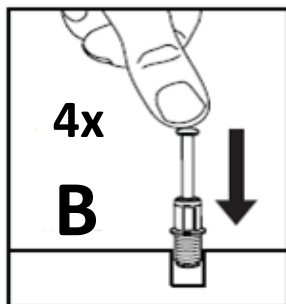
|  |  |   |
|--|--|---|
| <p><b>28x</b></p> <p><b>A</b></p>   | <p><b>28x</b></p> <p><b>B</b></p>  | <p><b>28x</b></p> <p><b>C</b></p>  |
| <p><b>16x</b></p> <p><b>D</b></p>   | <p><b>8x</b></p> <p><b>E</b></p>   | <p><b>4x</b></p> <p><b>F</b></p>   |
| <p><b>4x</b></p> <p><b>G</b></p>    | <p><b>4x</b></p> <p><b>H</b></p>    | <p><b>4x</b></p> <p><b>J</b></p>   |
| <p><b>28x</b></p> <p><b>K</b></p>  |  |   |



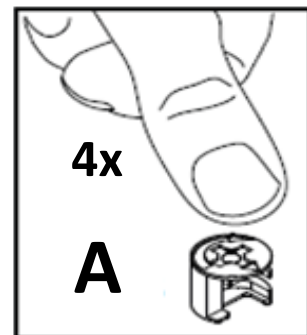
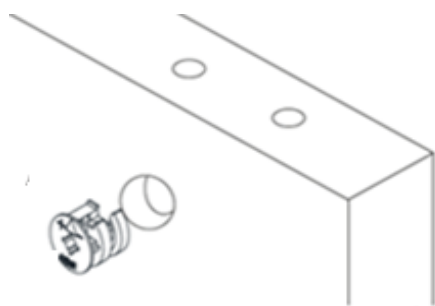
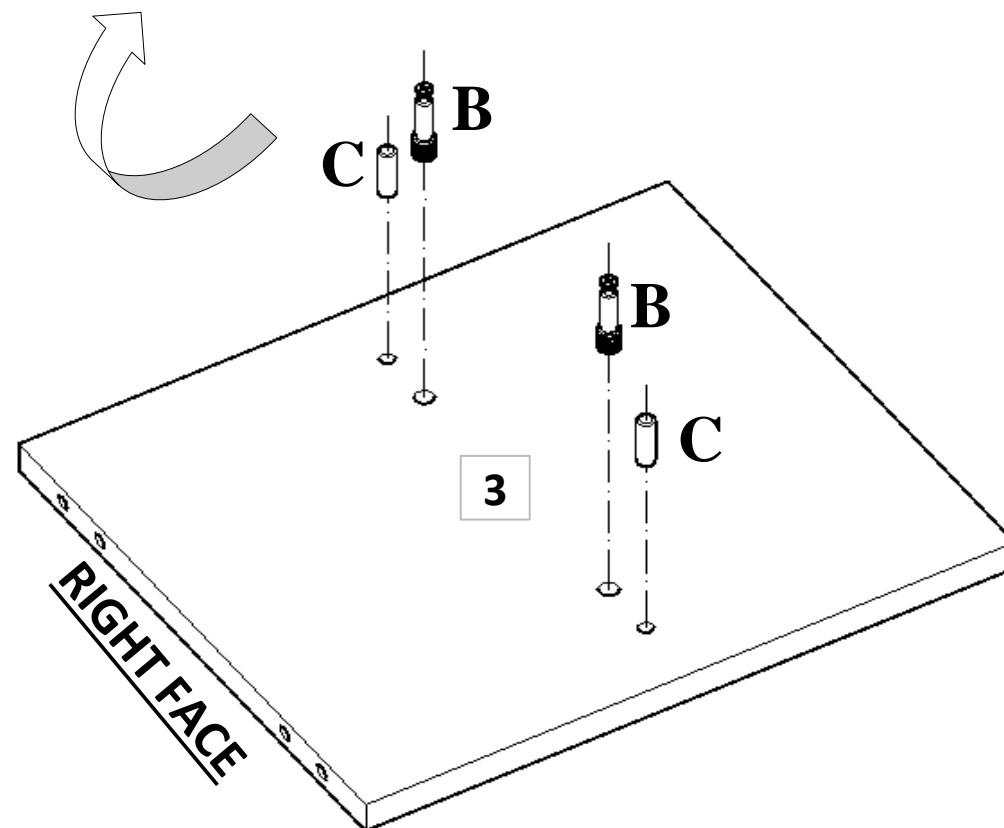
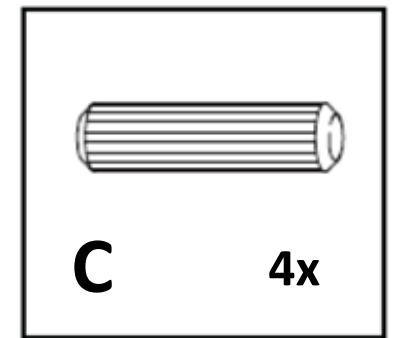
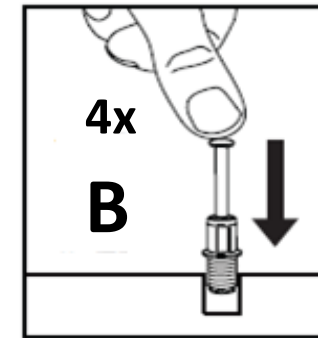
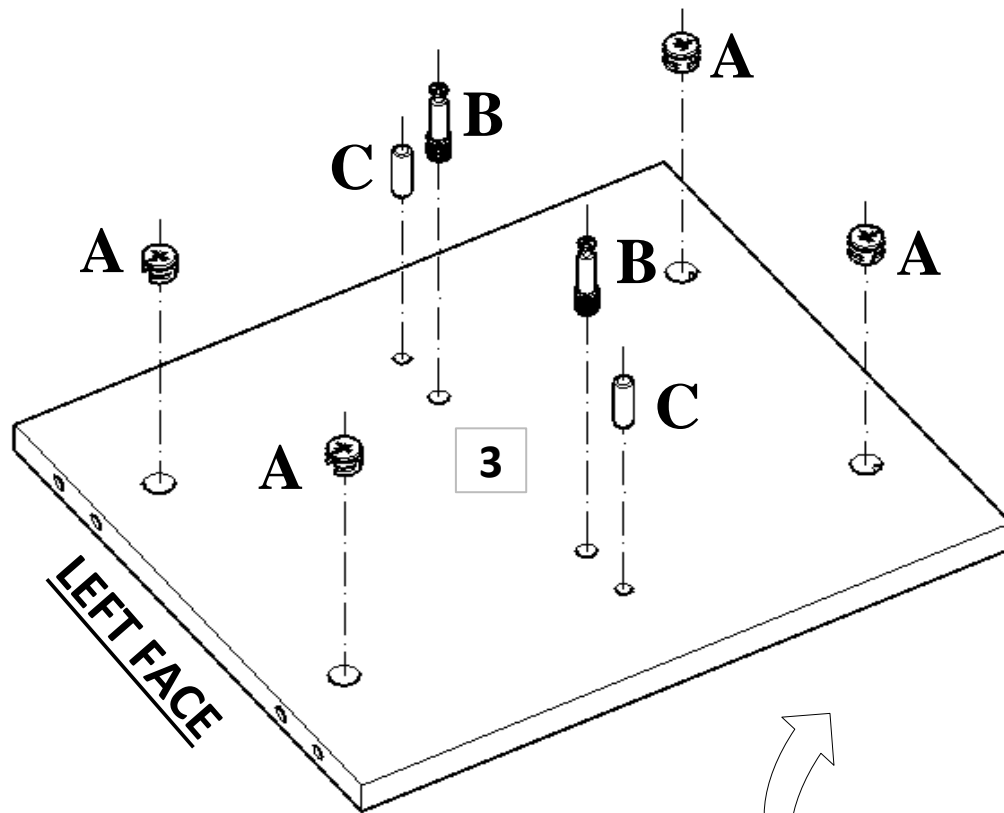
**1** Install the 20 push bolts and 20 dowels into the panels 1 and 2



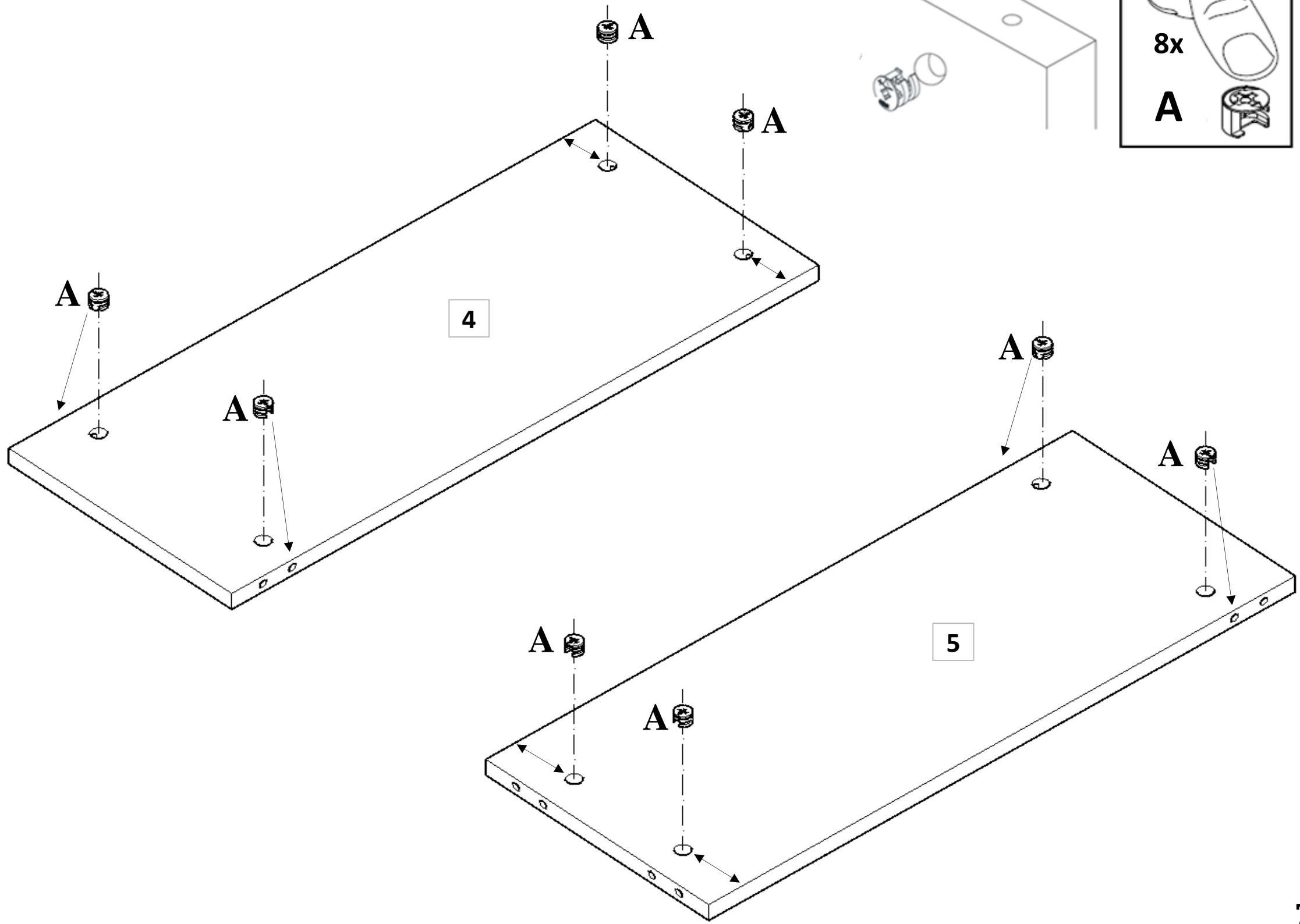
**2** Install the 4 push bolts and 4 dowels into the panels 6 and 7.  
Insert the 16 cam locks into the panels 6 and 7.



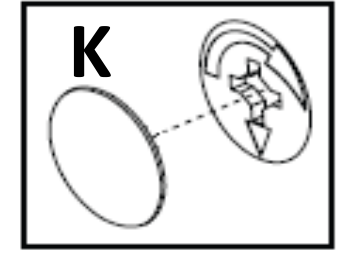
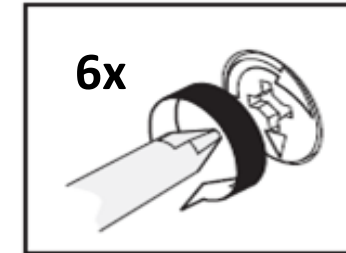
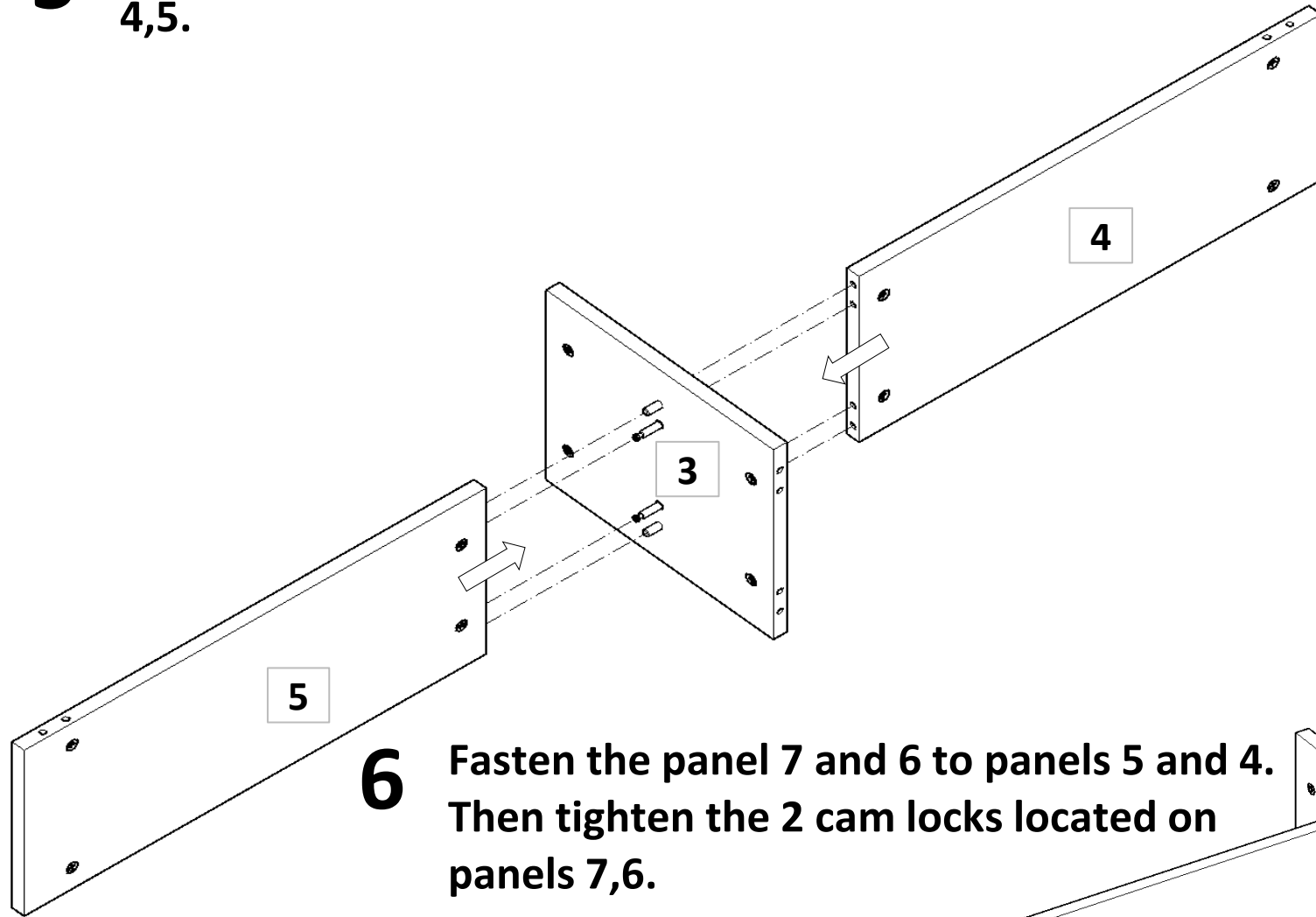
**3** Install the 4 push bolts and 4 dowels into the panel 3. / Botf faces.  
Insert the 4 cam locks into the panel 3. / Left face.



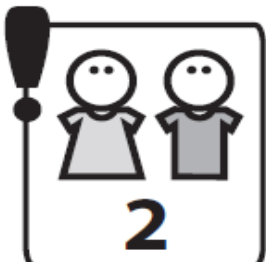
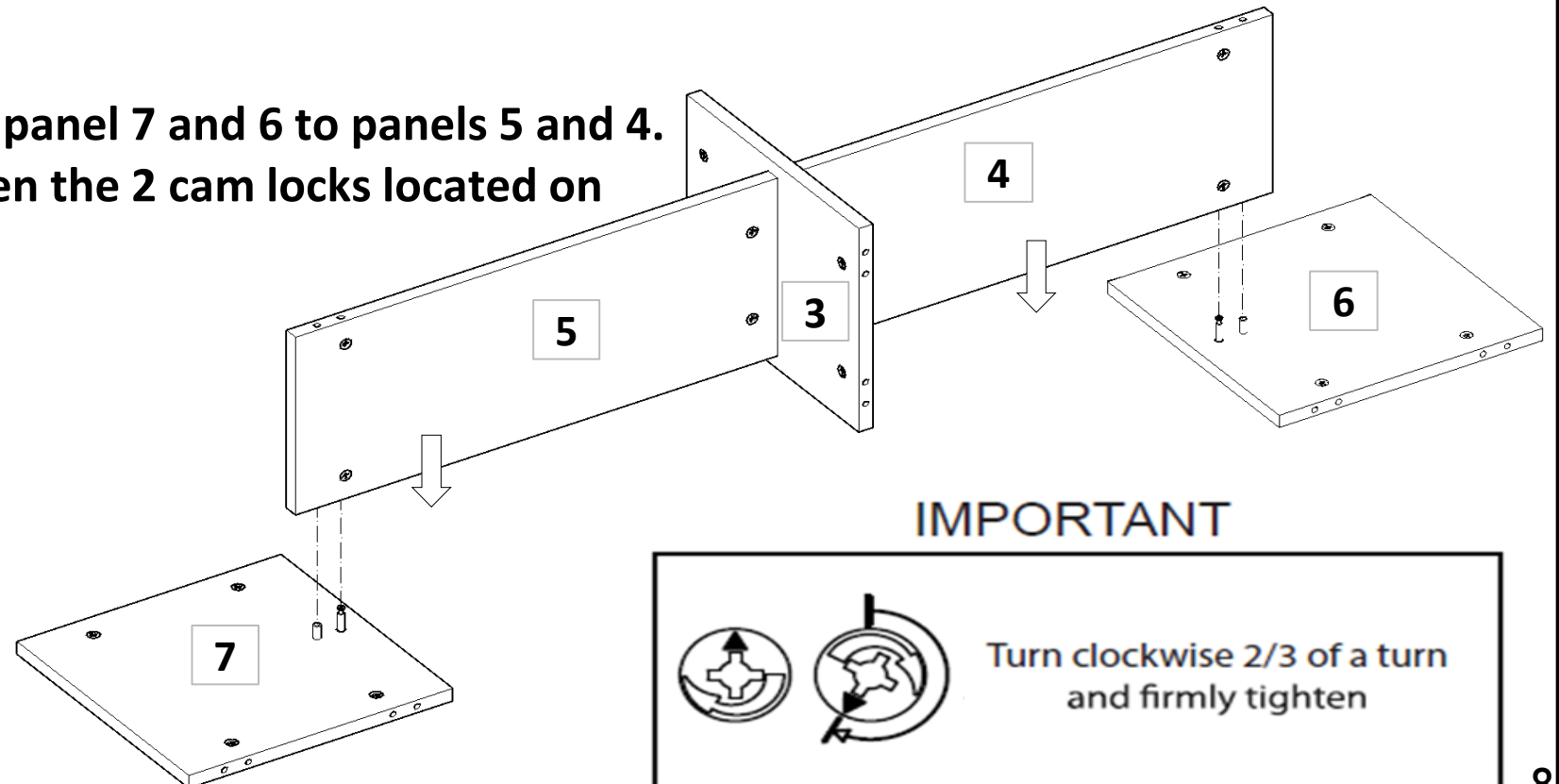
# 4 Insert the 8 cam locks into the panels 4,5.



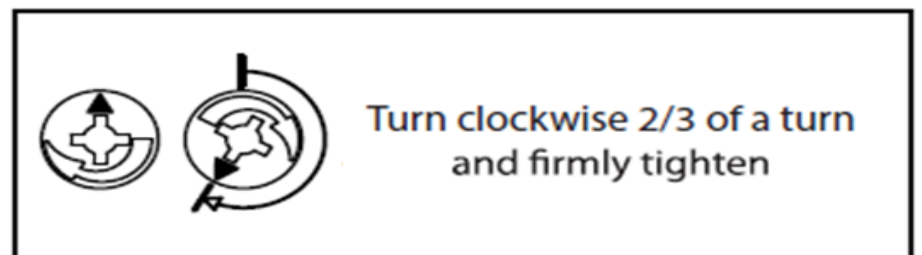
**5** Fasten the panel 4 and 5 to panels 3. Then tighten the 4 cam locks located on panels 4,5.



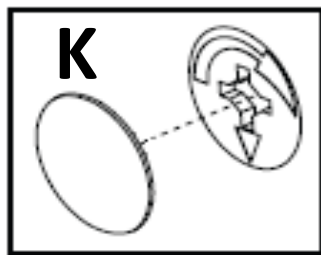
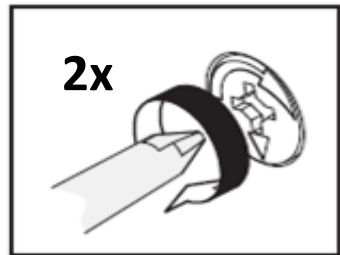
**6** Fasten the panel 7 and 6 to panels 5 and 4. Then tighten the 2 cam locks located on panels 7,6.



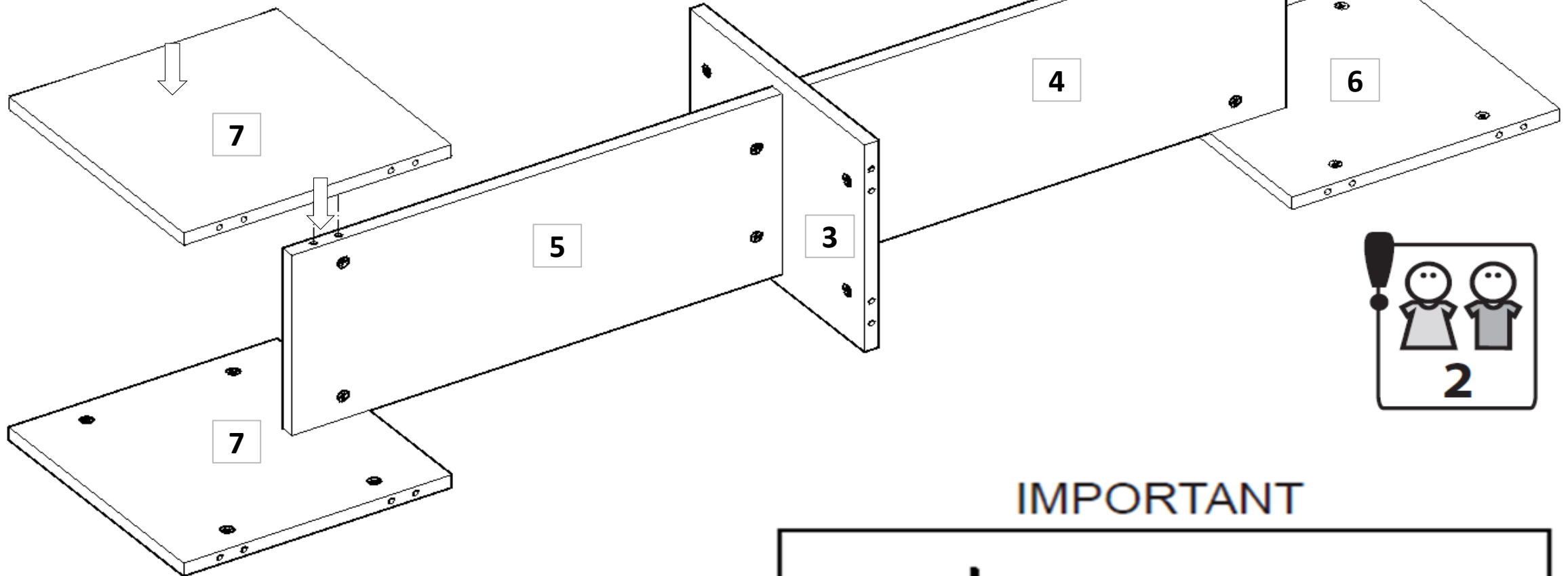
**IMPORTANT**



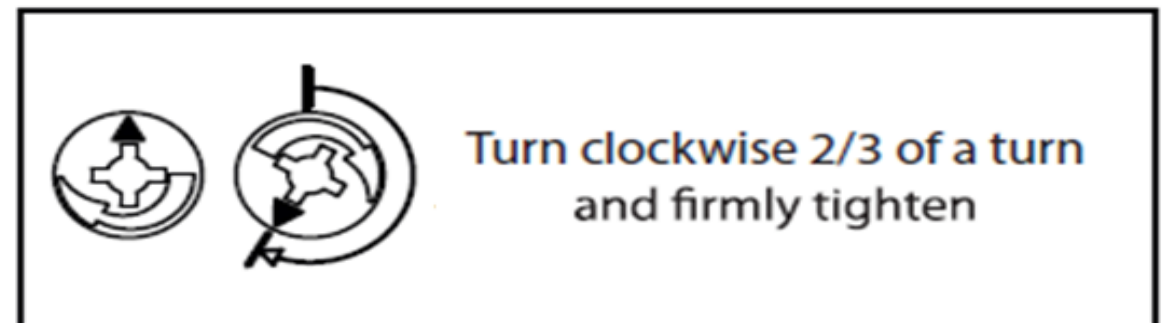
**7** Fasten the panel 7 and 6 to panels 5 and 4. Then tighten the 2 cam locks located on panels 7,6.



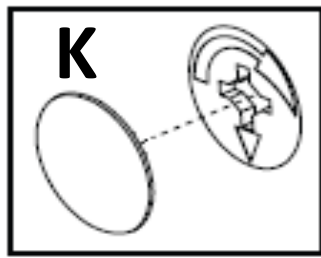
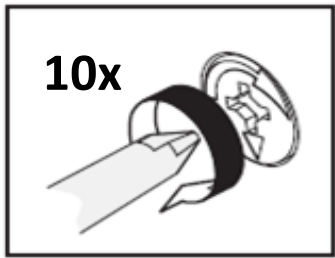
**K**



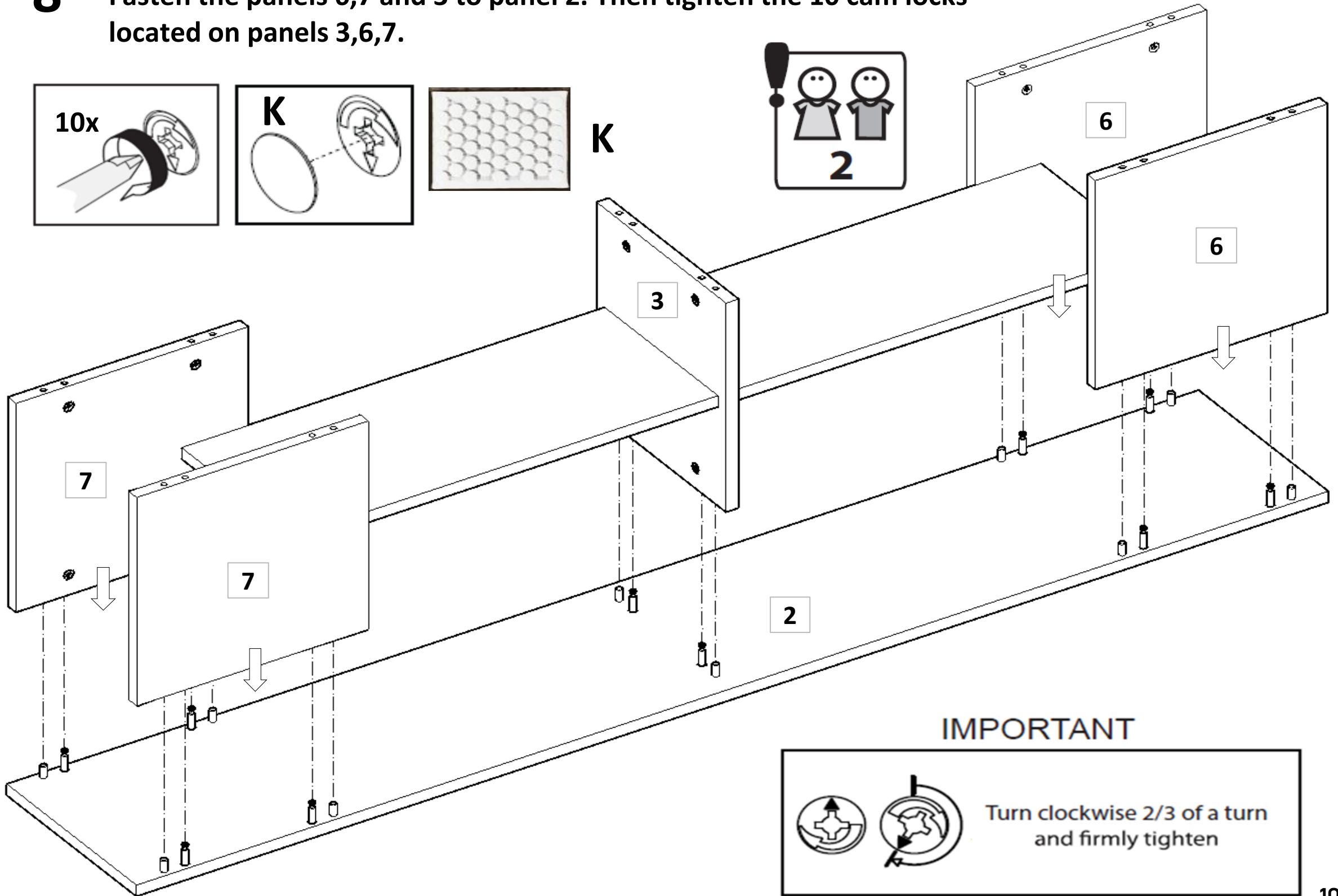
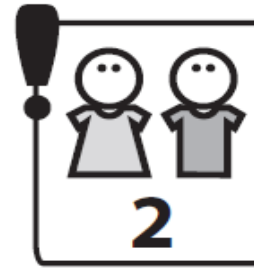
**IMPORTANT**



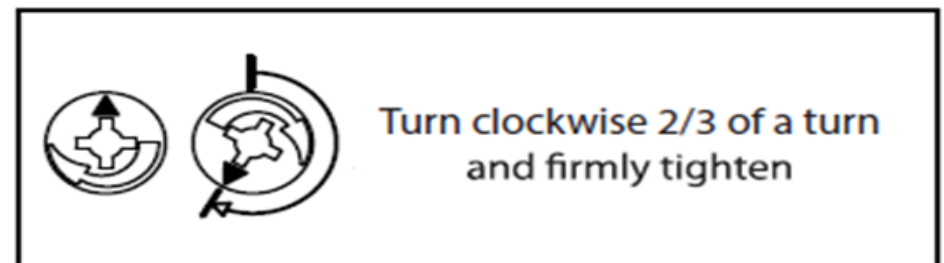
**8** Fasten the panels 6,7 and 3 to panel 2. Then tighten the 10 cam locks located on panels 3,6,7.



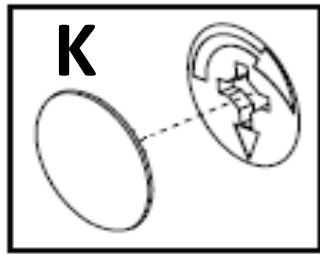
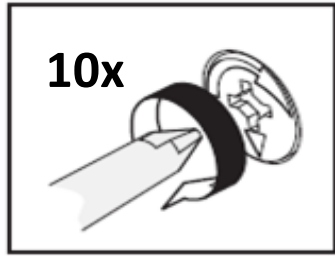
K



**IMPORTANT**

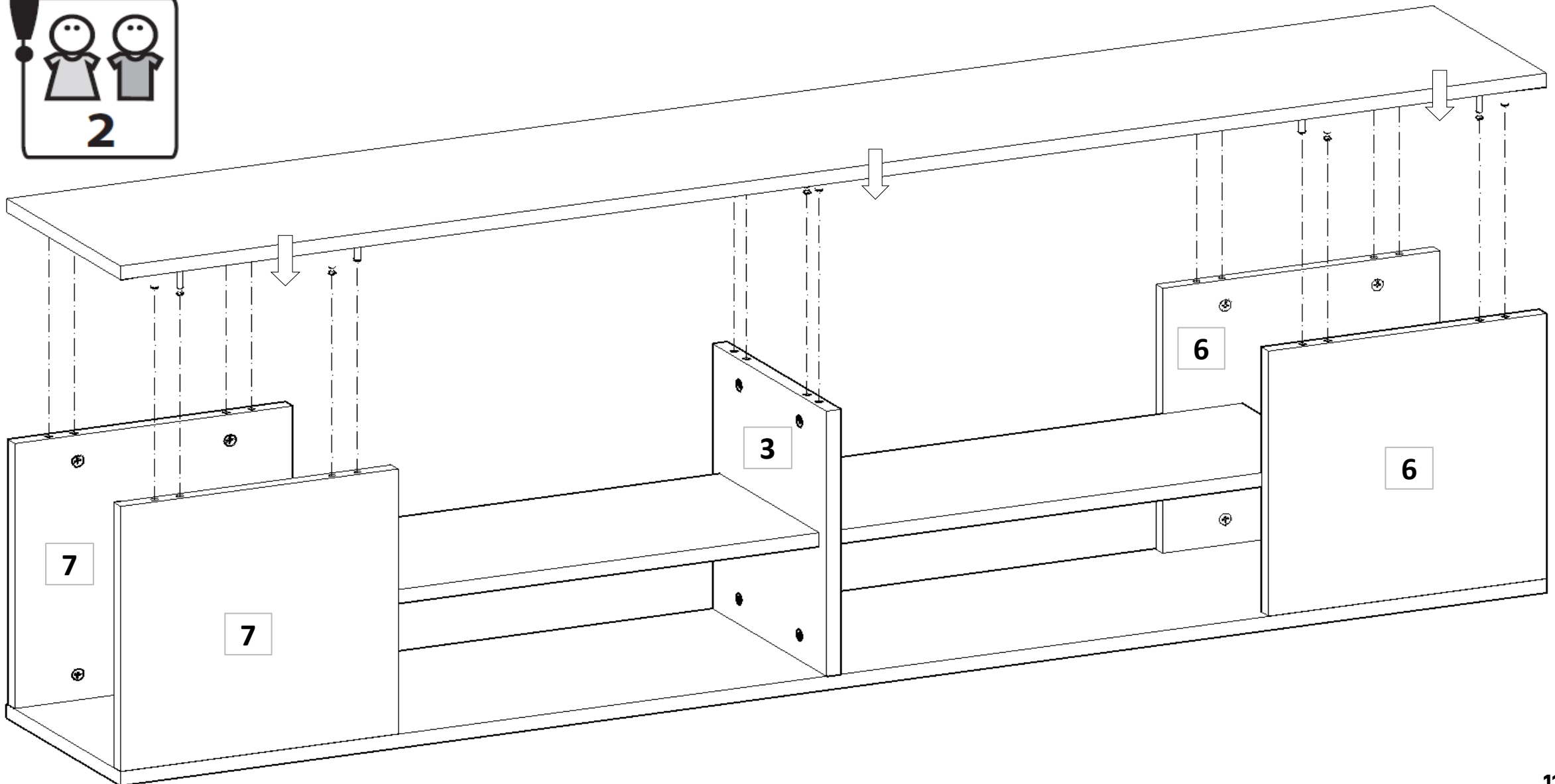
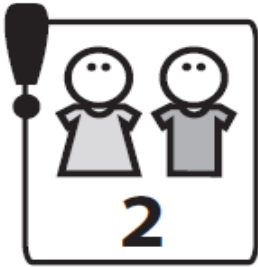
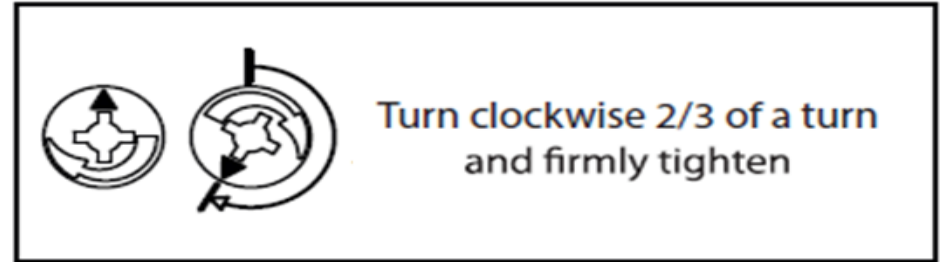


**9** Fasten the panel 1 to panel 6,7 and 3. Then tighten the 10 cam locks located on panels 6,7 and 3.



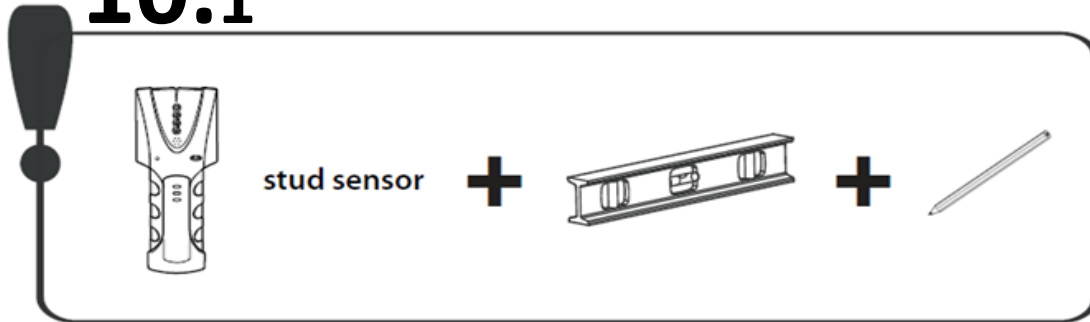
K

**IMPORTANT**

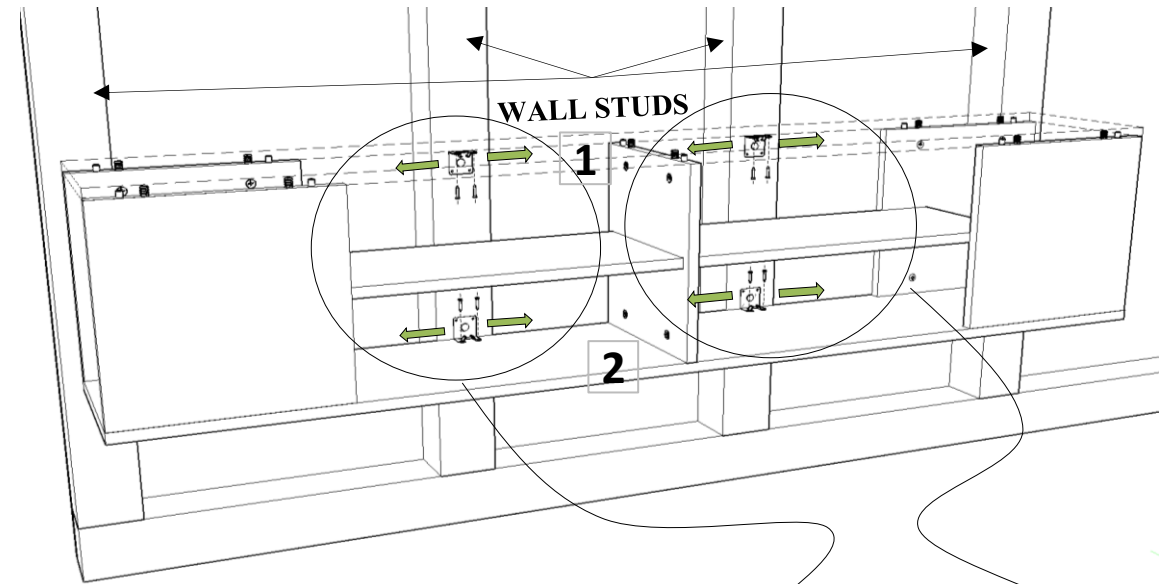


# 10 Use a stud sensor to locate the structural studs of the wall.

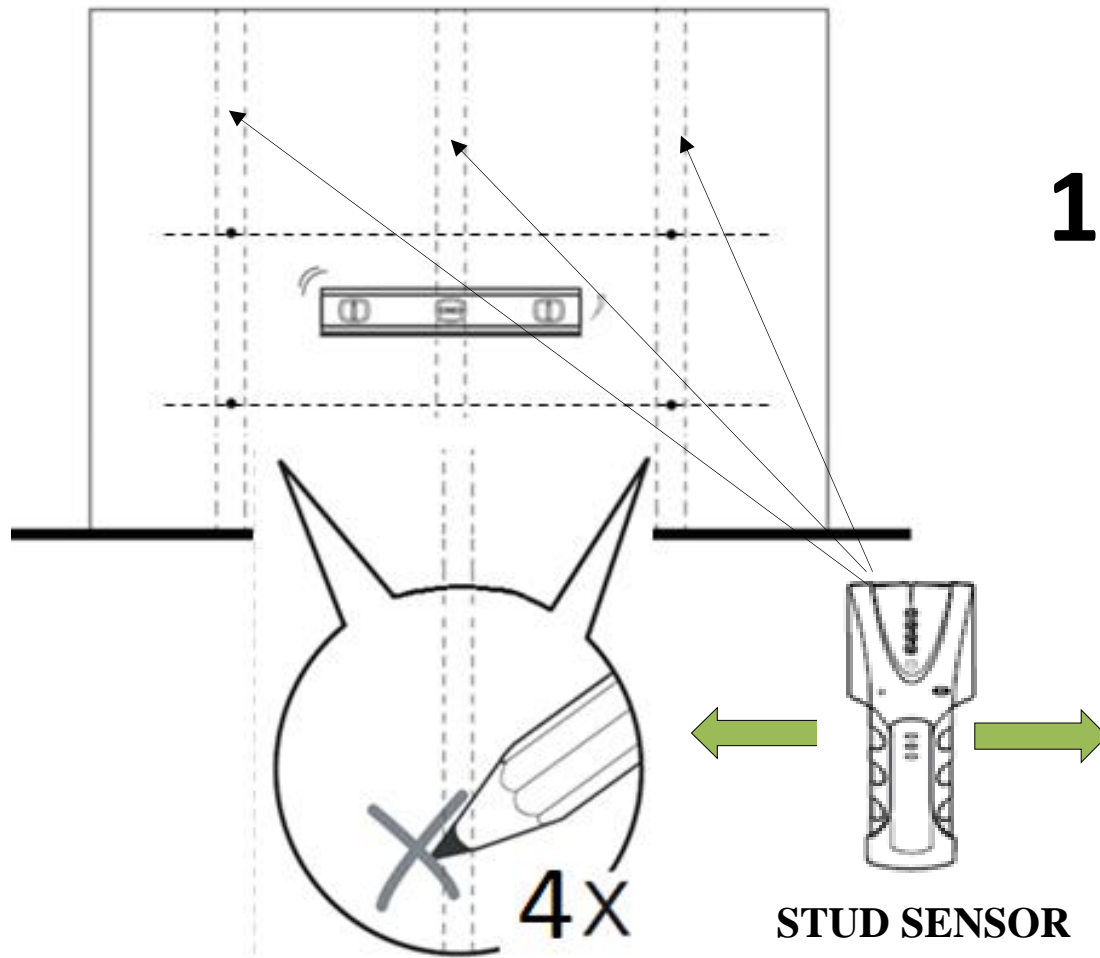
## 10.1



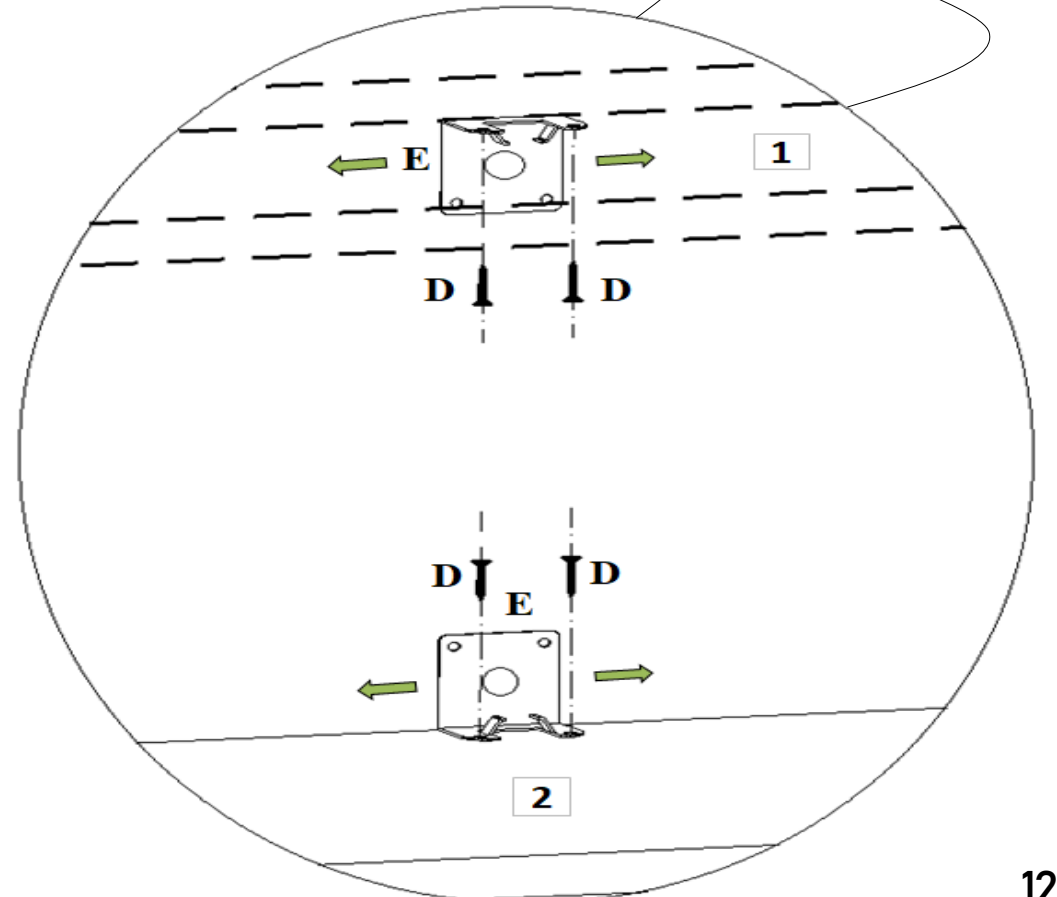
## 10.3



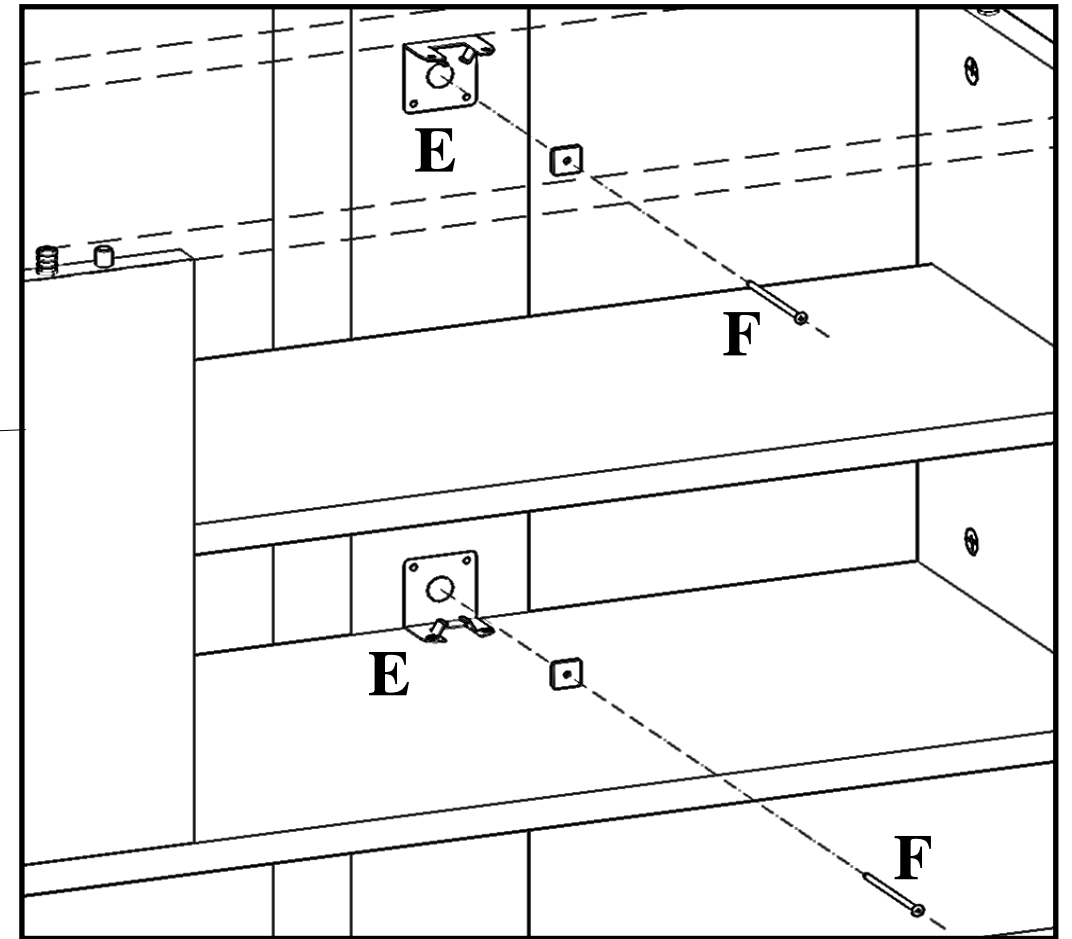
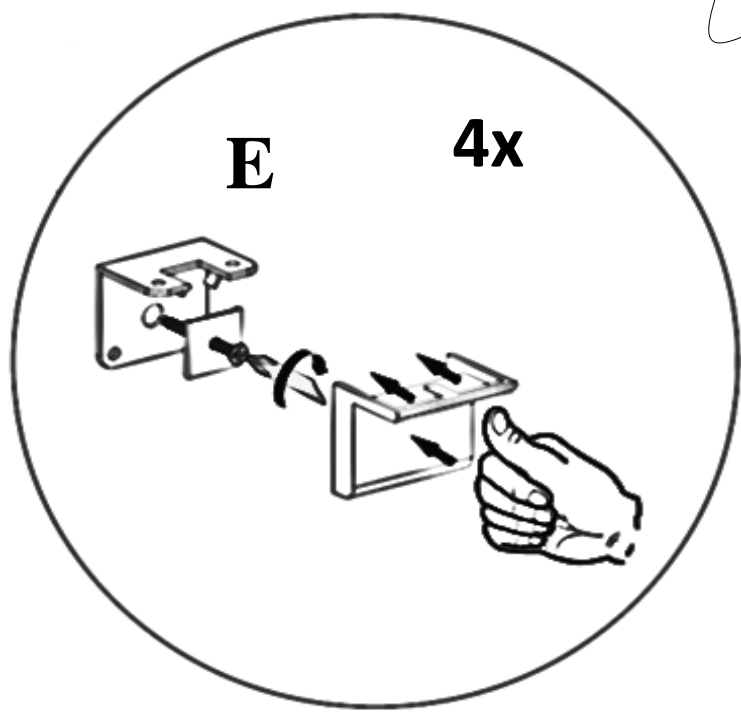
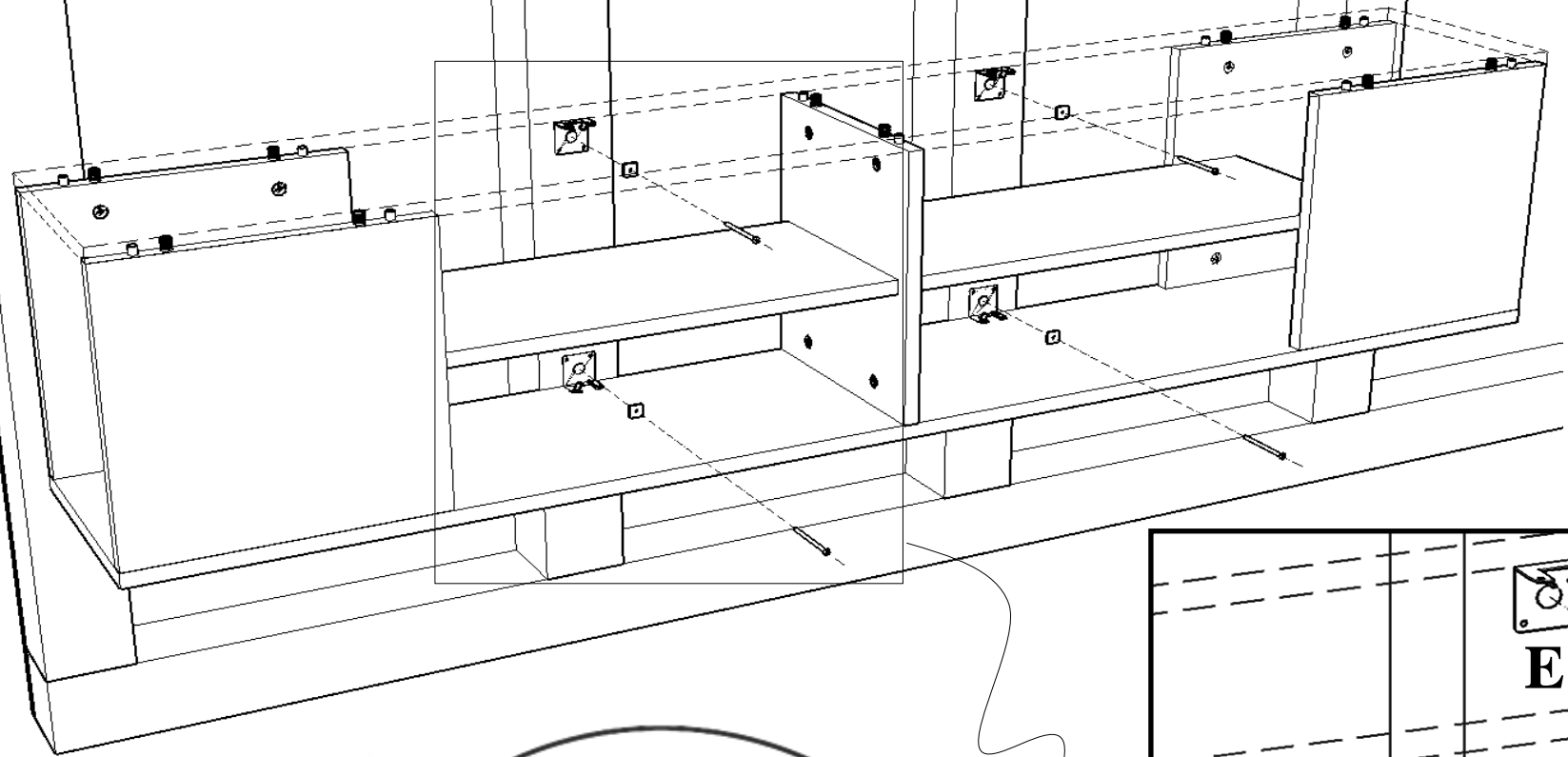
## 10.2



## 10.4



# 10.5



**11** Open a hole in the wall for the H. Then install the H in to the hole. Install the TV unit by using K and J screws.

**FOR WALLS WITHOUT STUDS**

