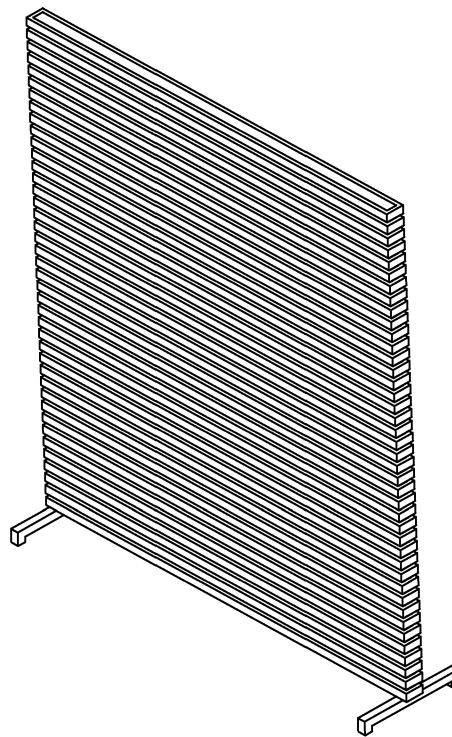


ASSEMBLY INSTRUCTIONS

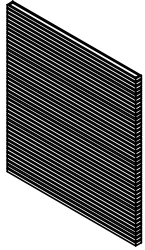
BROWN



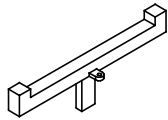
THANK YOU FOR YOUR PURCHASE !

PARTS AND HARDWARE.

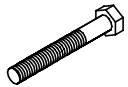
1. PARTITION PANEL X1



2. LEG X2



A. BOLT X2



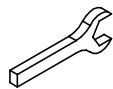
B. SPRING WASHER X2



C. FLAT WASHER X2



D. WRENCH 17

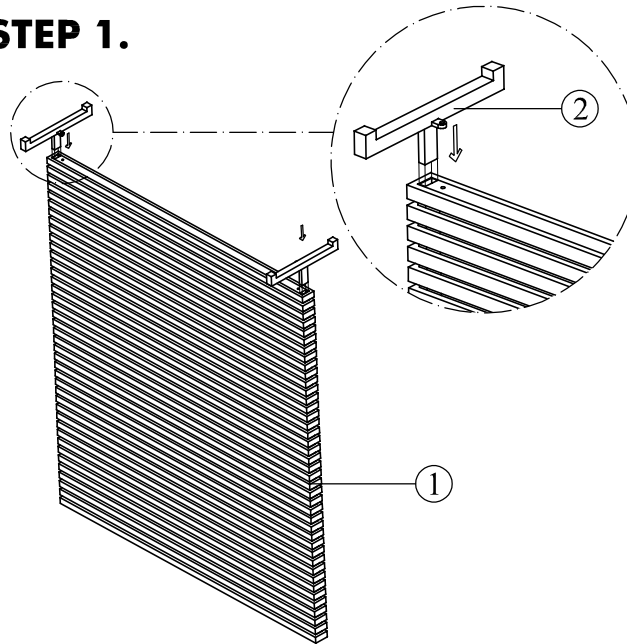


NOTES.

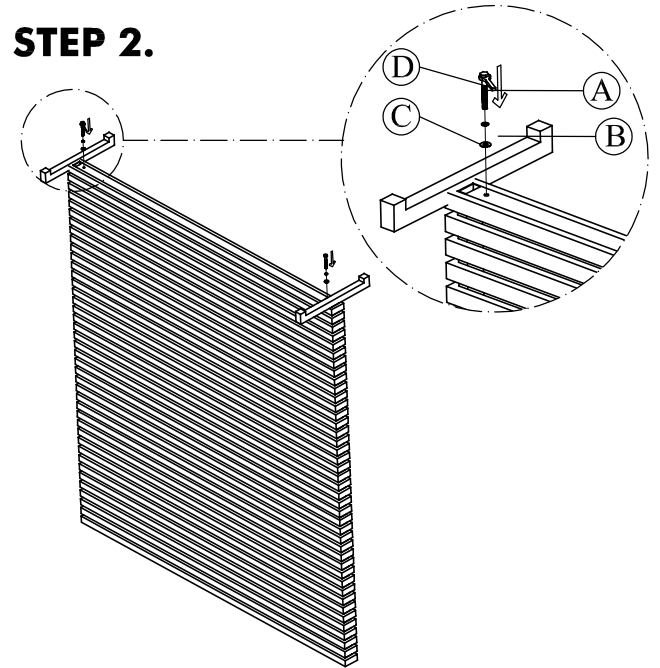
Thank you for purchasing this quality product! BE sure to check all packing material carefully for small part that may have come loose inside the carton during shipping.

CAUTION: The item is heavy, assembly should be performed by two people.

STEP 1.



STEP 2.



STEP 3.

