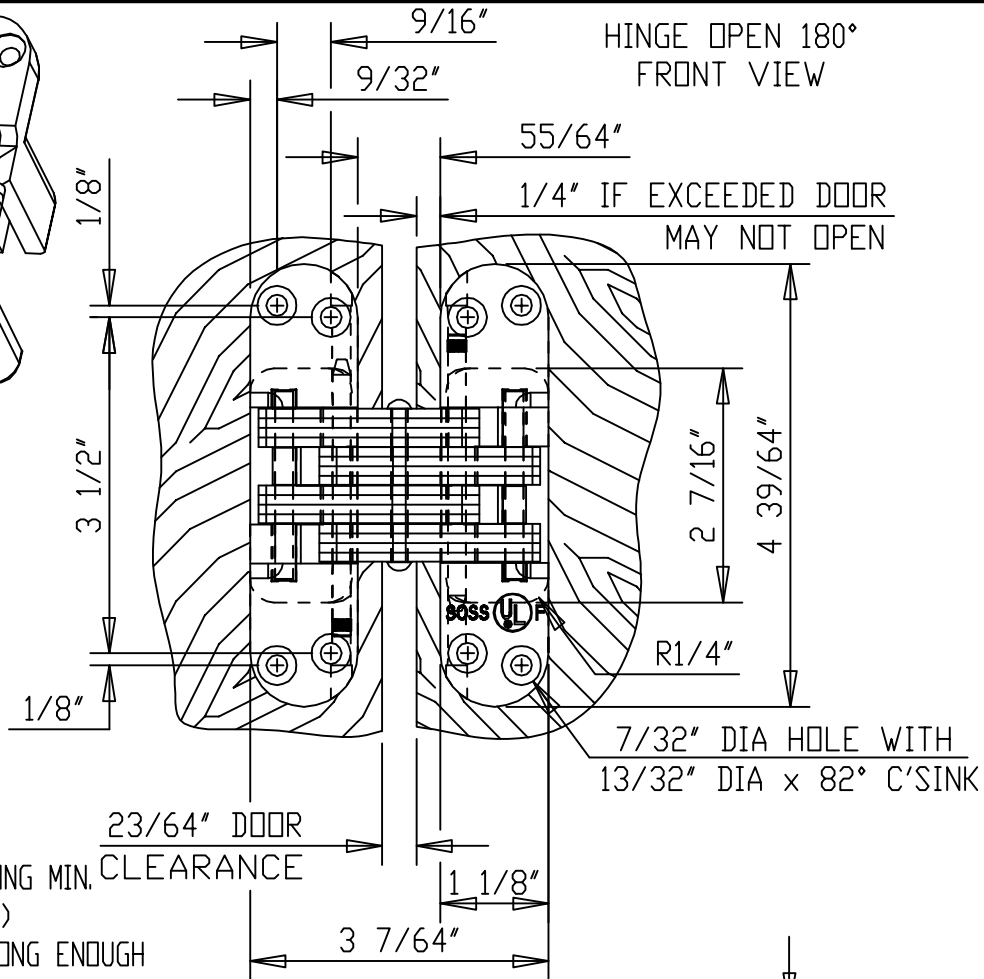
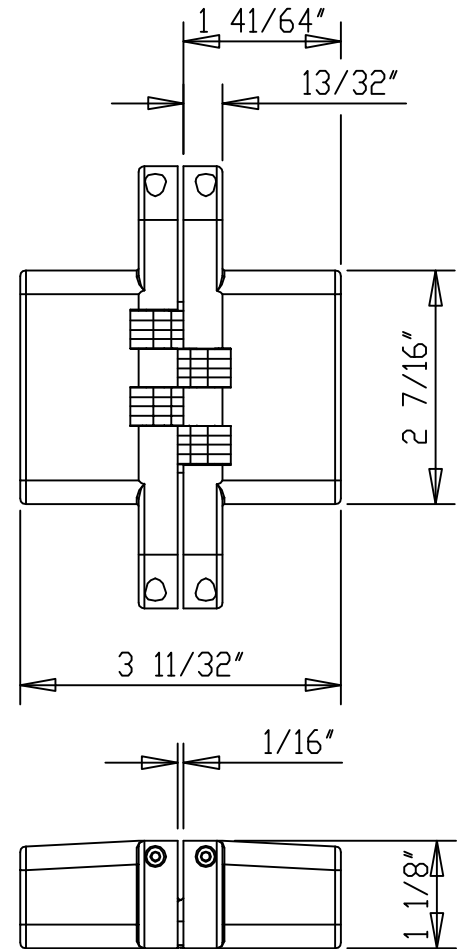


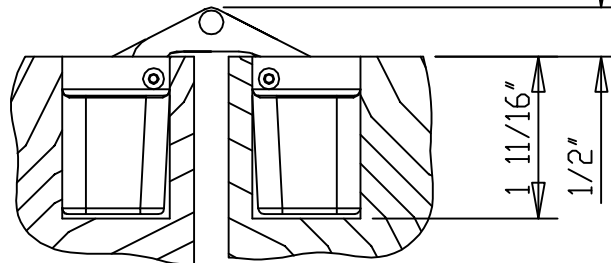
HINGE OPEN 180°
ISOMETRIC VIEW



HINGE CLOSED
FRONT VIEW CUT AWAY



HINGE CLOSED
TOP VIEW CUT AWAY




HINGE OPEN 180°
TOP VIEW CUT AWAY

FASTENERS:

- 20 MINUTE WOOD RATED:
DOOR: #10 x 2-1/2" LONG MIN.
(SUPPLIED WITH HINGE)
- FRAME: #10 SCREWS, LONG ENOUGH
TO PENETRATE BUCK STUD 3/4"
- 90 MINUTE G.P. DOOR:
#10 SCREWS x 2" LONG MIN.
(2-1/2" SUPPLIED)
- 3 HOUR DOOR & FRAME:
#10-24 x 3/4" MACHINE SCREW
(AVAILABLE WITH HINGE)

MIN. MATERIAL THICKNESS IS 1 3/4"
DO NOT SCALE DRAWING
ALL DIMENSIONS ARE IN INCH
DOOR CLEARANCE REDUCES TO 1/64" WHILE CLOSING
SEE DWG# 4477-C IF ADDING MATERIAL TO DOOR FACE AND/OR FRAME FACE

 Copyright Universal Industrial Products, Inc. One Coreway Drive Pioneer, Ohio 43554-0628	SCALE: 1/2 = 1
	DRAWN BY: LHH
HINGE TEMPLATE	DATE: 5/01/11
SOSS INVISIBLE HINGE 418/418SS 3 HOUR FR	DRAWING # 418