

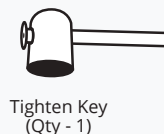
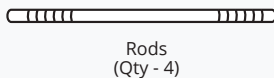
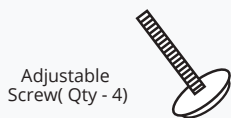
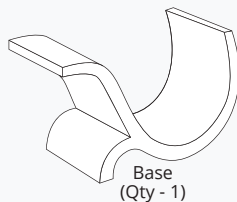
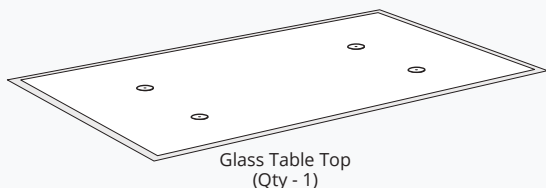
Thank you

Congratulations on the purchase of your new coffee table! We've made it very easy to install. Please read the following instructions carefully before you begin to install the coffee table. Using any other methods to install the Glass may lead to it breaking and will invalidate the warranty.

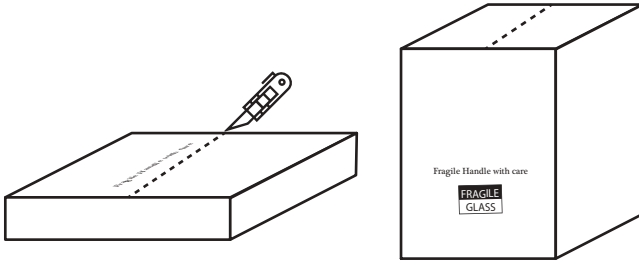
Glass Handling Cautions

Please read every step in the instructions before you begin installation. You are responsible for assembling, installing and taking care of your Glass according to the instructions. Users who fail to heed the instructions run the risk of injury, so please be careful and work with caution.

Hardware Included with this order

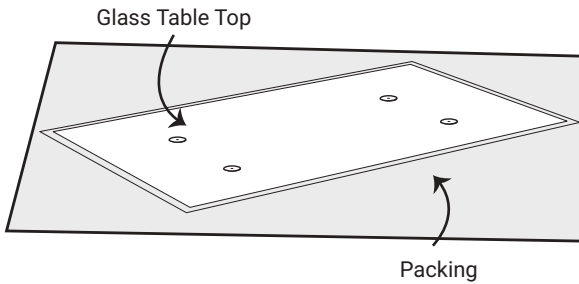


1



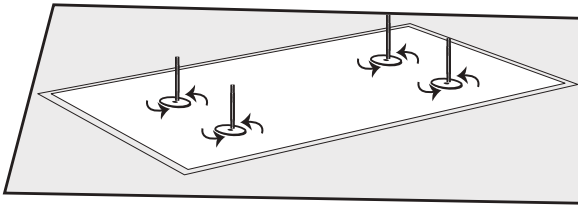
Open the table and accessories and remove from packaging, as per picture.

2



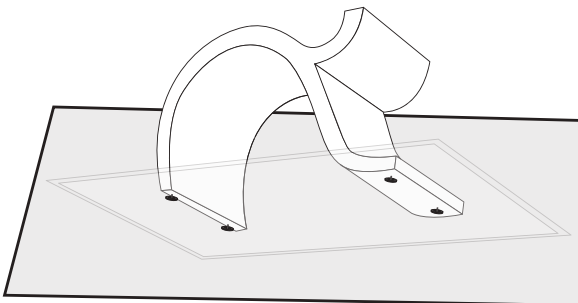
Place your glass table top upside down in a way that you can see its screw holes on top.

3



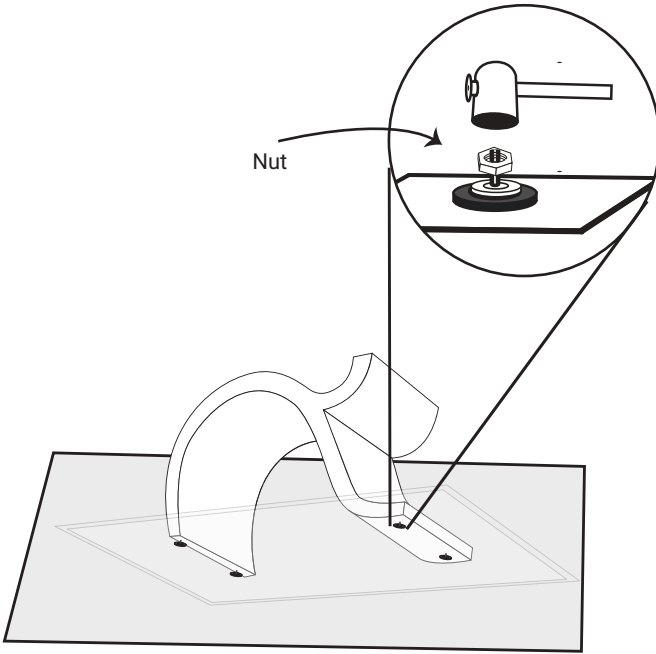
Next, tighten the rods manually.

4



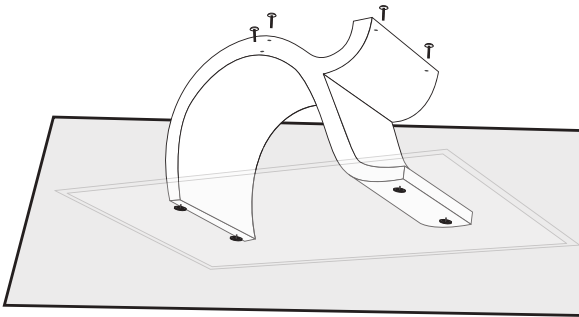
Insert the Rounded base onto the rods.

5



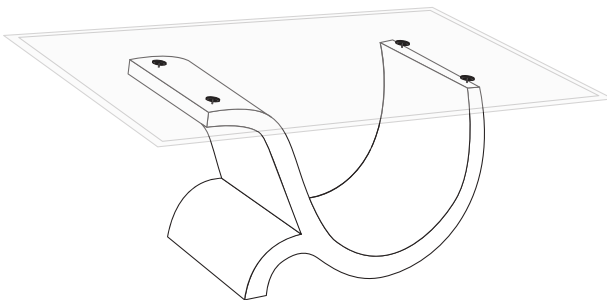
Tighten the washer and nuts by using the tightening key.

6

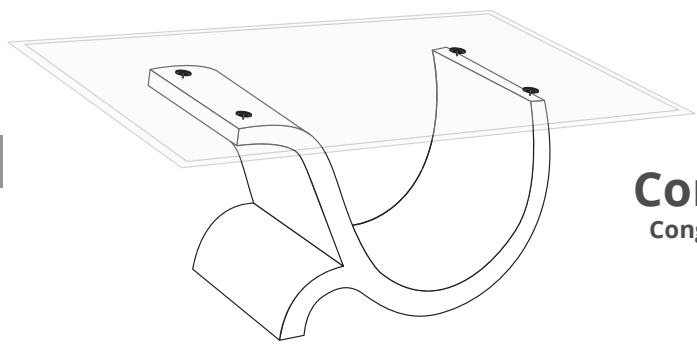


Tighten the Adjustable Screw onto the base. you can balance the table by using these Screws.

7



Turn your table around.



Congratulations!
Congratulations, your table is
ready for use!