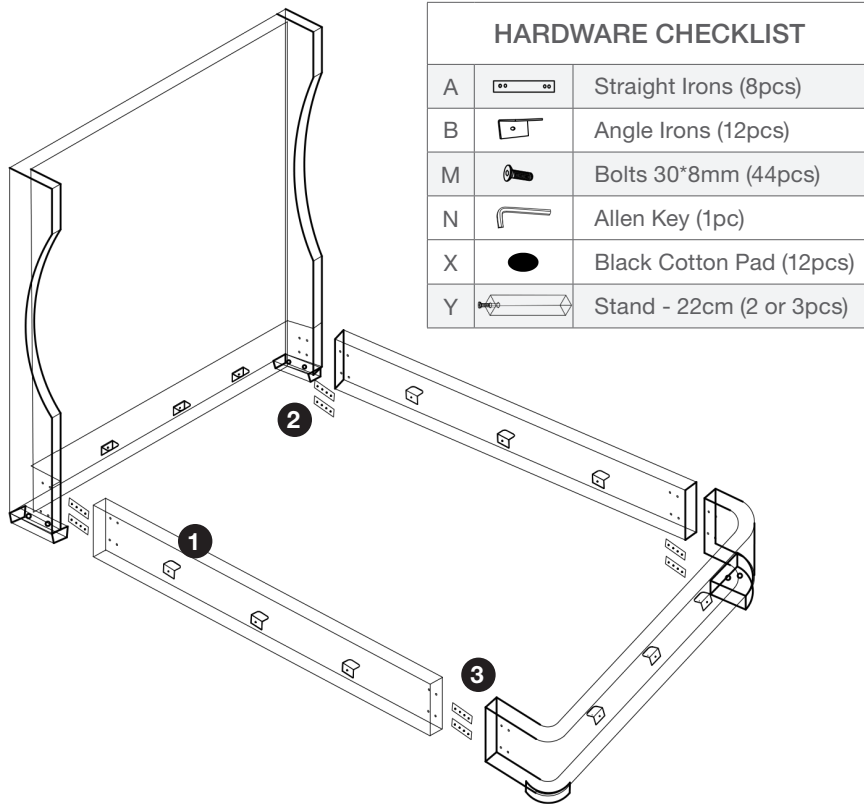
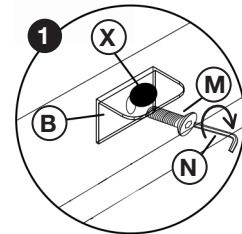


ASSEMBLY INSTRUCTIONS | BALBOA UPHOLSTERED BED



Step 1

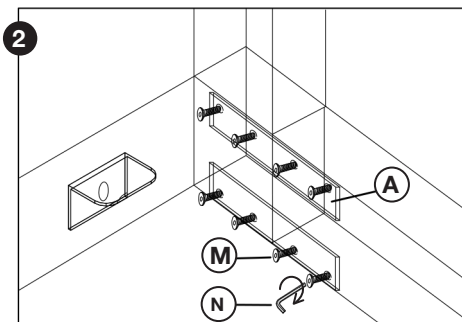
Install type B angle irons along the inside of the headboard, side rails and footboard, then place type X cotton pads on top of type C angle irons



NOTE: The type M bolts are not in the hardware kit. They are already pre-installed.

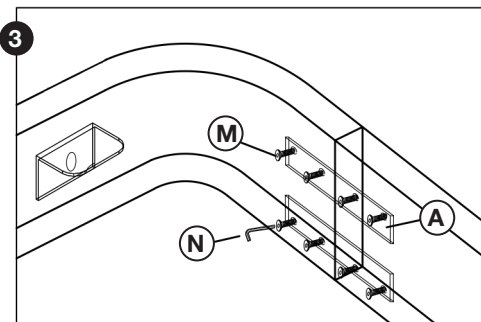
Step 2

Use type A straight irons to connect the headboard and side rails



Step 3

Use type A straight irons to connect the side rails and footboard



Step 4

For Queen Bed: Place slats on top of angle irons. Install the 2pcs type Y stands to the middle of the slat. Type Y stand height can be adjusted further as needed.

For Cal King & Std King Bed: Place slats on top of angle irons. Install the 3pcs type Y stands to the middle of the slat. Type Y stand height can be adjusted further as needed.

