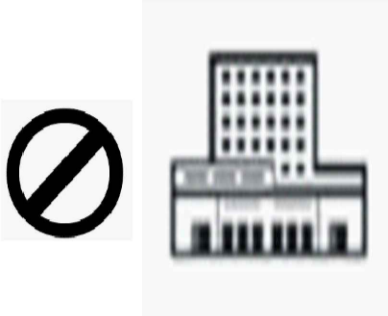
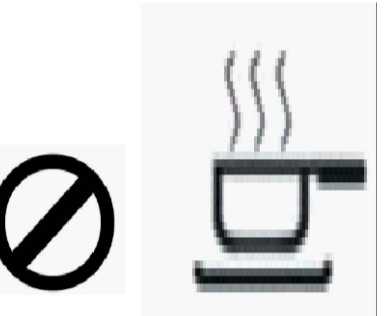

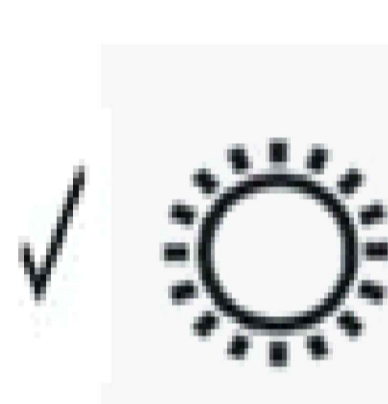

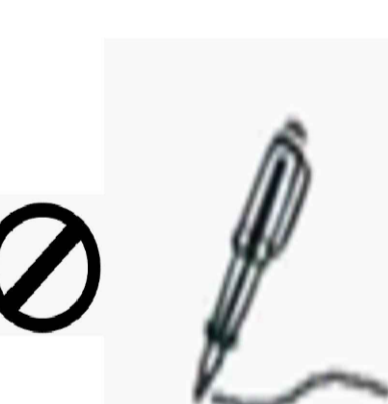






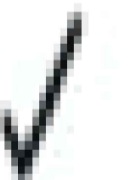









Assembly Instructions

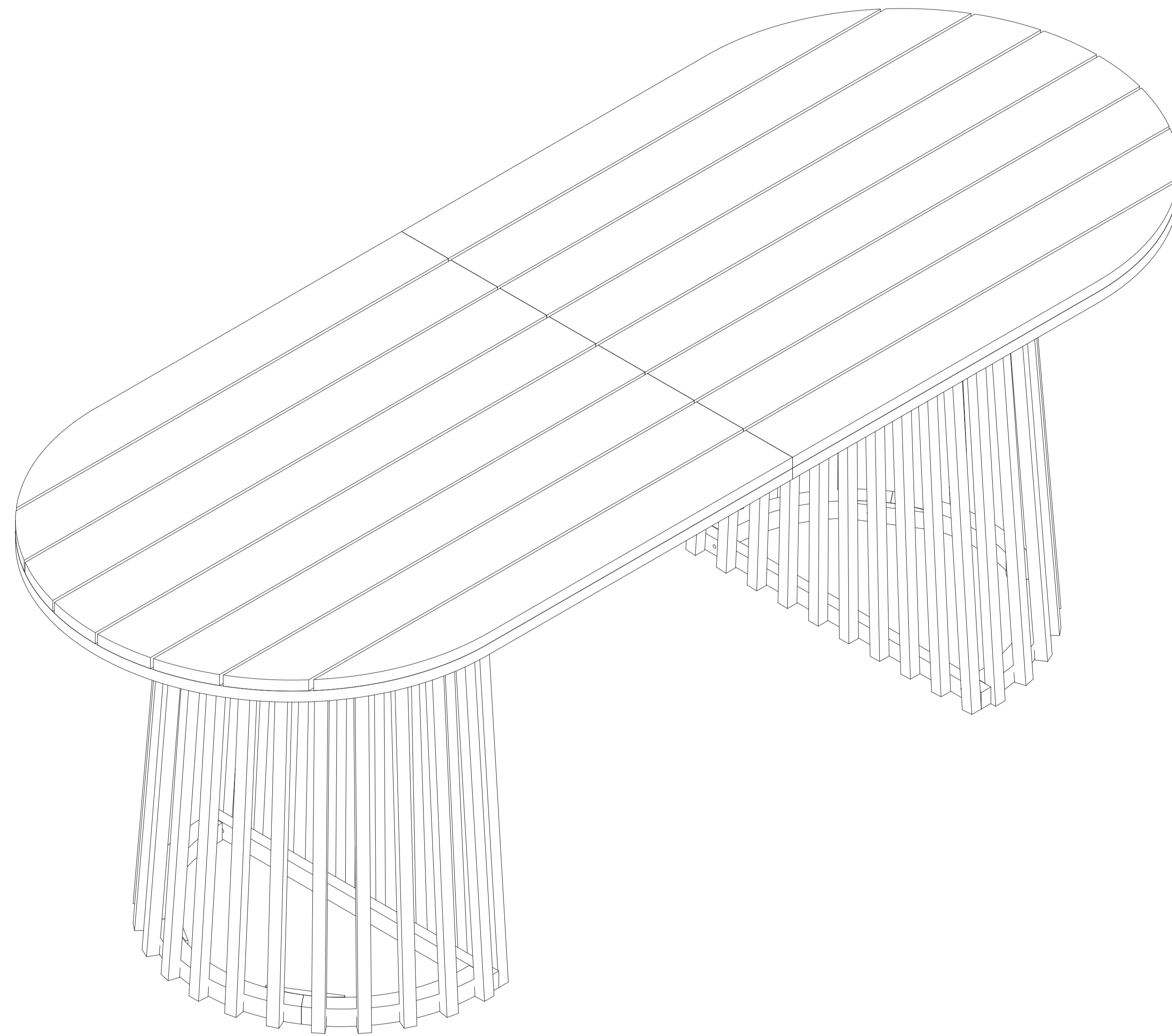
CAUTION : You must read these Assembly Instruction before you proceed

Care & Maintenance

-   ● Not for commercial use. For residential use only.
-   ● Do not put hot items directly on furniture surface.
-   ● Do not clean furniture with harsh cleansers or polish.
-   ● To obtain the longest lifespan of your outdoor product minimizing exposure to direct sunlight is recommended.
-   ● Children should not climb or jump on the furniture.
-   ● Do not write on furniture without a padded barrier to protect the surface.
-   ● To obtain the longest lifespan of your outdoor products, avoid extended and lengthy exposure to rain, snow, and direct sunshine. Whenever possible cover the product and /or place under patio or awnings.
-   ● Stains may be removed with mild soap solution and damp cloth.
-   ● Keep away from sources of ignition.
-   ● Dust and pick-up spills using a clean, non-colored, lint-free cloth.

Please look into the Seat Panel for hardware packs.

TABLE

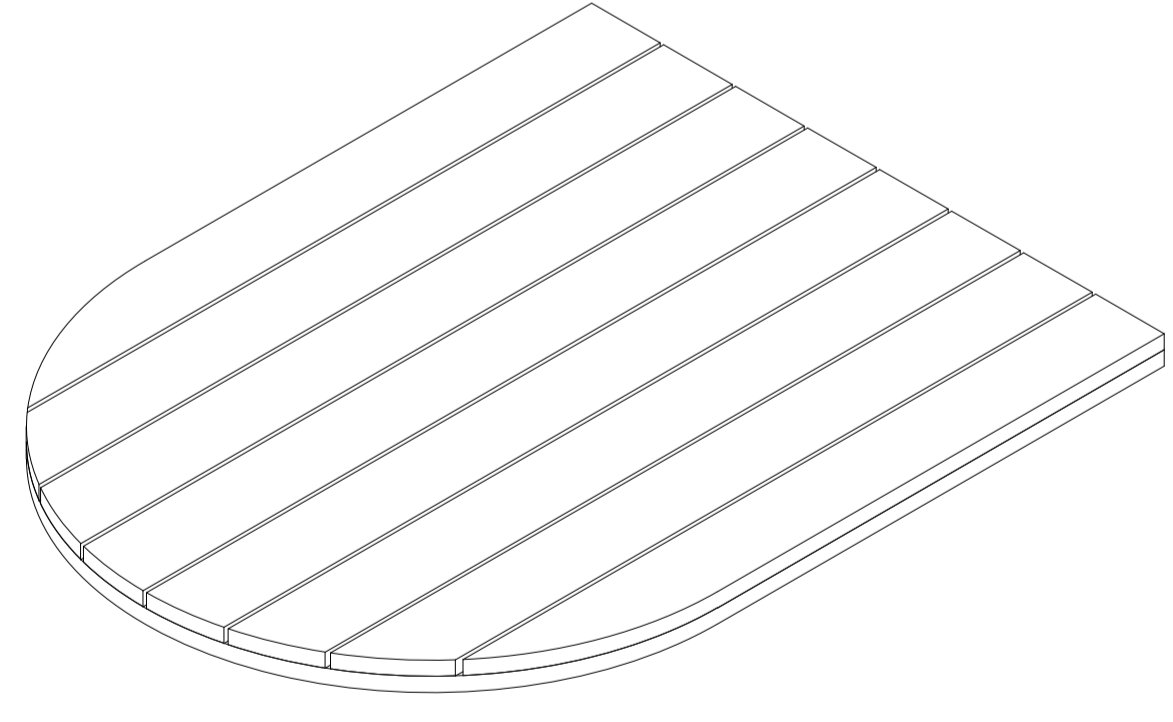
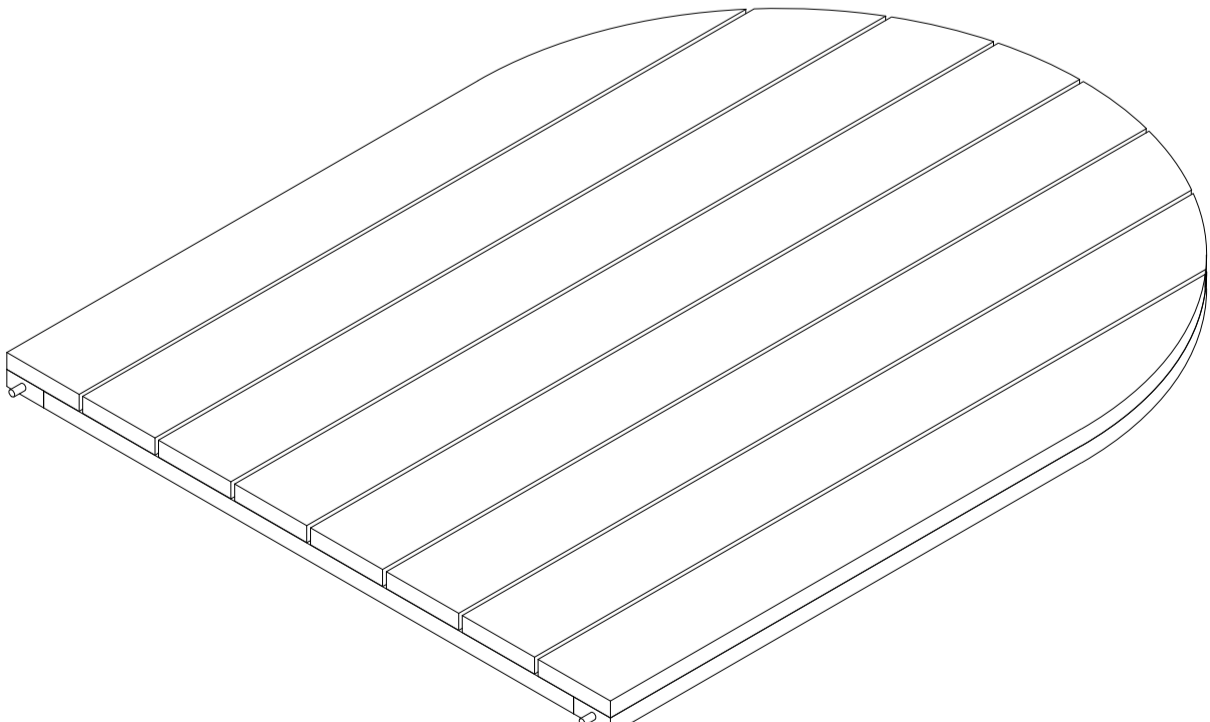
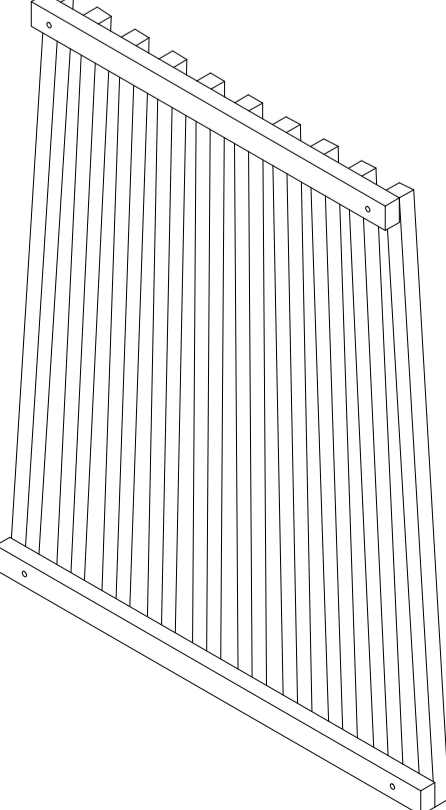


CAUTION: This **Table** is NOT a TOY

Keep your child / children at bay during the assembly process.

For turning the Table and to prevent damage to the **Table**, 02 adults may be needed to execute this action

Parts List

Label	Picture	Description	Qty
A		Left Table Top	1
B		Right Table Top	1
C		Flat Leg Part	2

Parts List

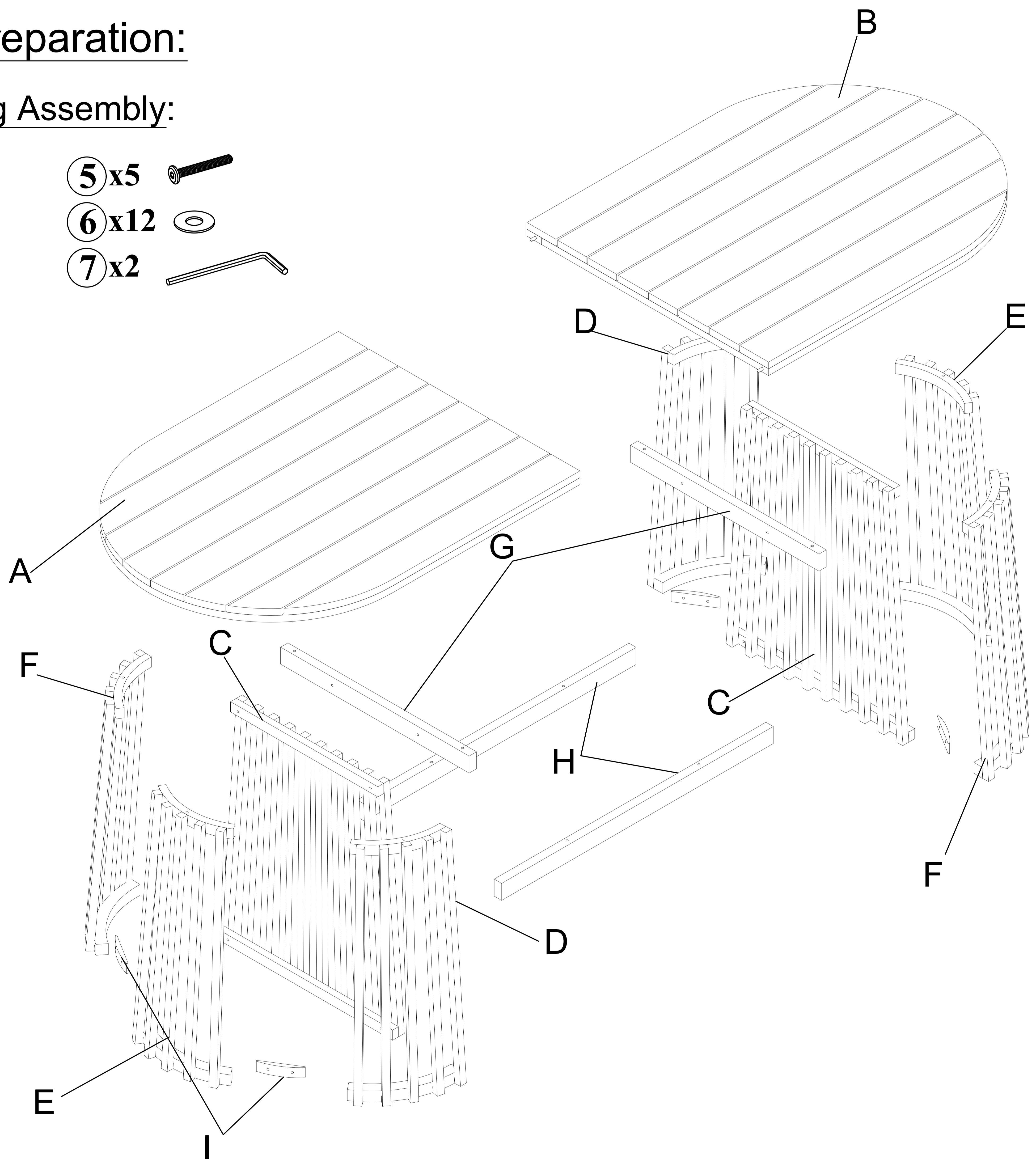
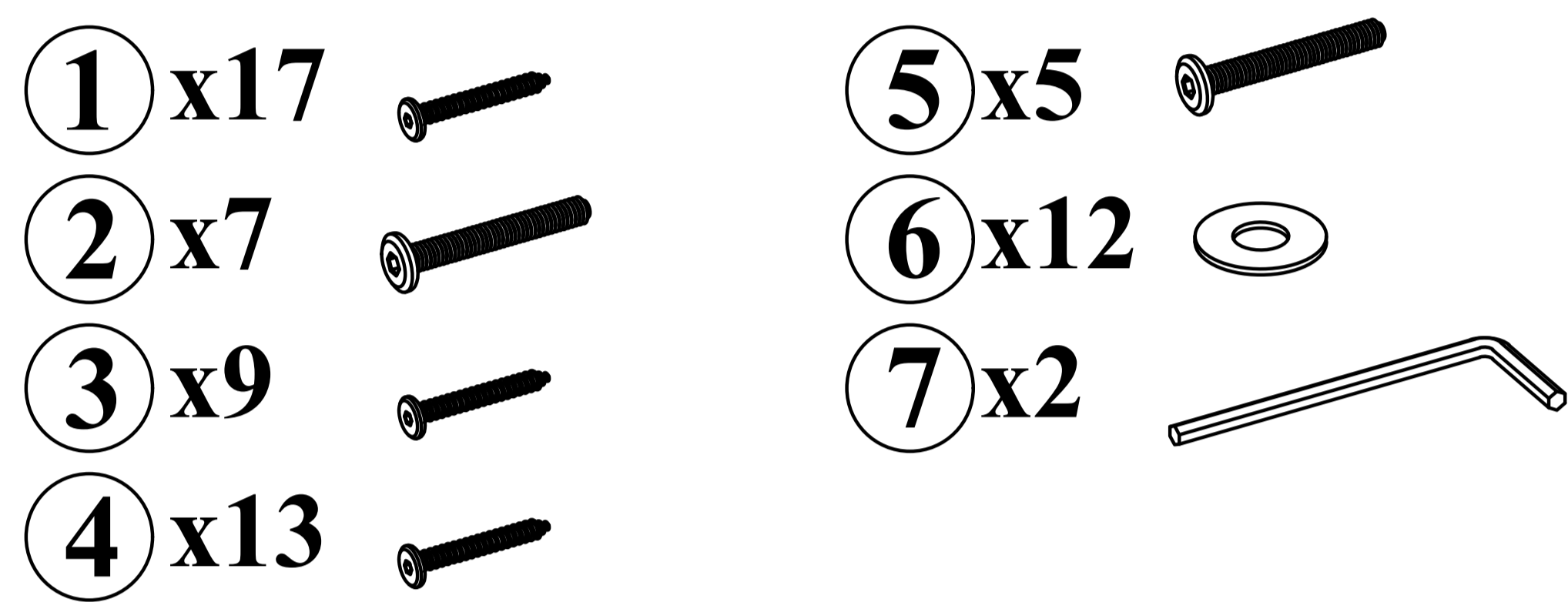
Label	Picture	Description	Qty
D		Left Leg Part	2
E		Middle Leg Part	2
F		Right Leg Part	2
G		Cross Bar	2
H		Main Support Bar	2
I		Connector	4

Hardware:

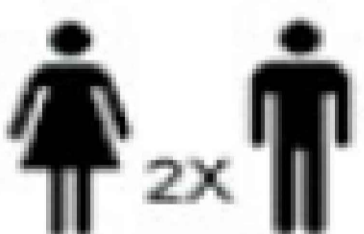
No.	Picture	Description	Q.ty				
①		Screw (M6x30)	17	⑤		Bolt (M6x70)	05
②		Bolt (M6x45)	07	⑥		Washer	12
③		Screw (M6x50)	09	⑦		Allen Wrench	02
④		Screw (M6x65)	13				

Assembly Preparation:

Before Beginning Assembly:



- Read instructions, cover to cover



- Have 2 adults on hand for assembly



- Do not assemble on the flooring or carpet



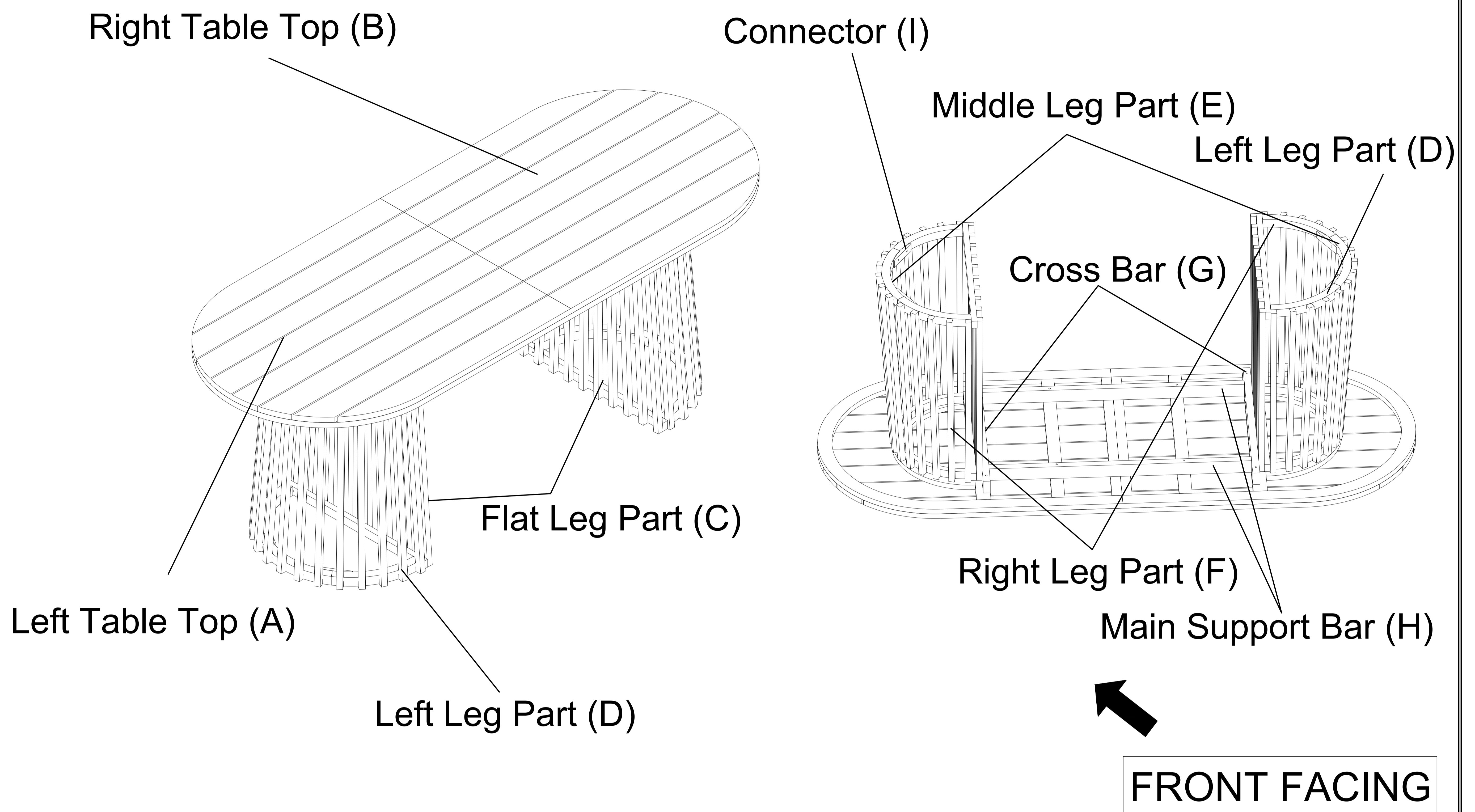
- Assemble on a clean, non-marring surface (packing foam)



- Save all packaging until finished.

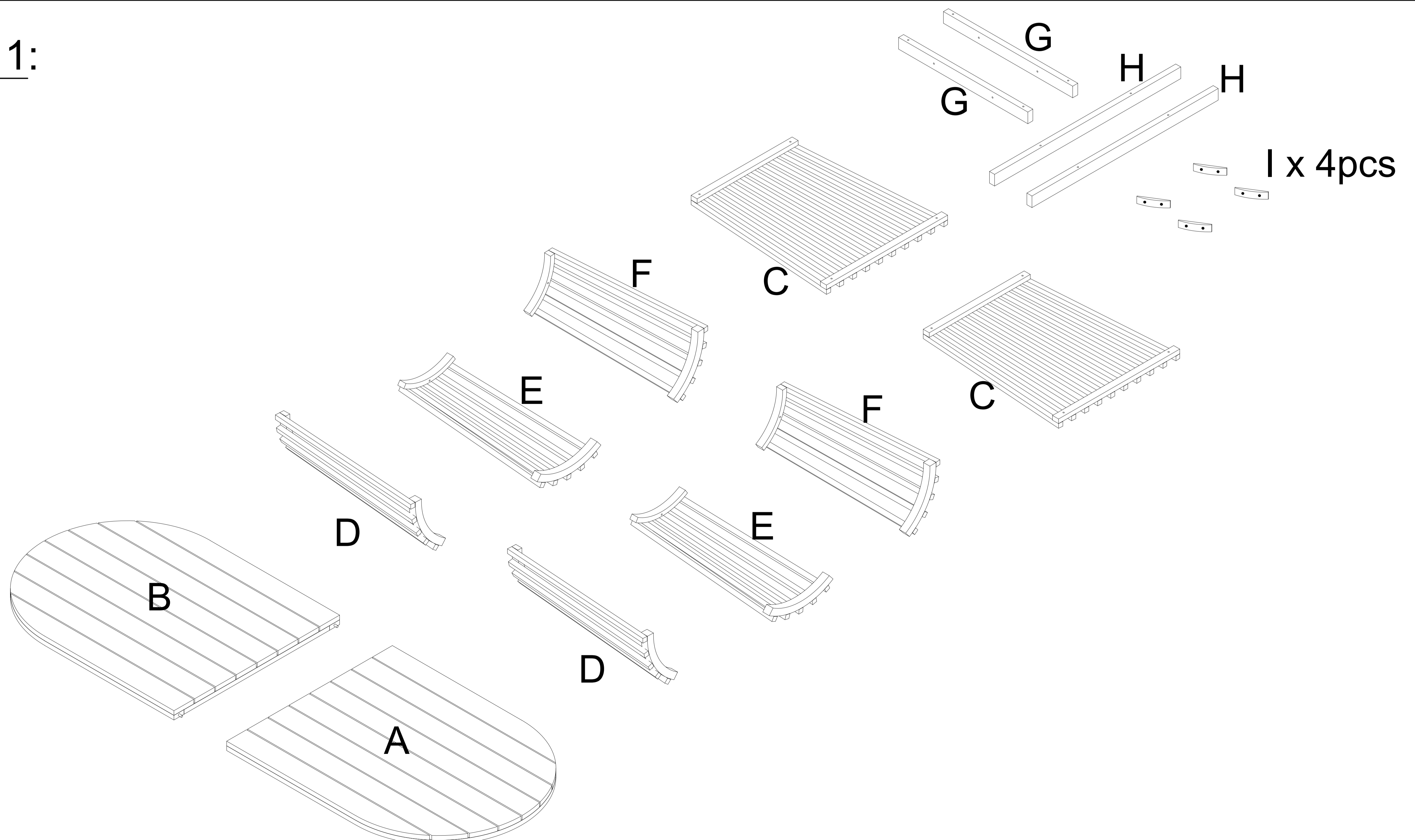
Assembly Steps:

Overview:



This **Table** has multiple parts and may require up to 60 minutes to assemble. To give you an overview of the **Table** parts, the above picture is to help you put the various parts into perspective. Please read through the instructions below to familiarise the parts and steps before assembly.

Step 1:



Unpack and place all the parts on a clean, non-marring surface.

Step 2:

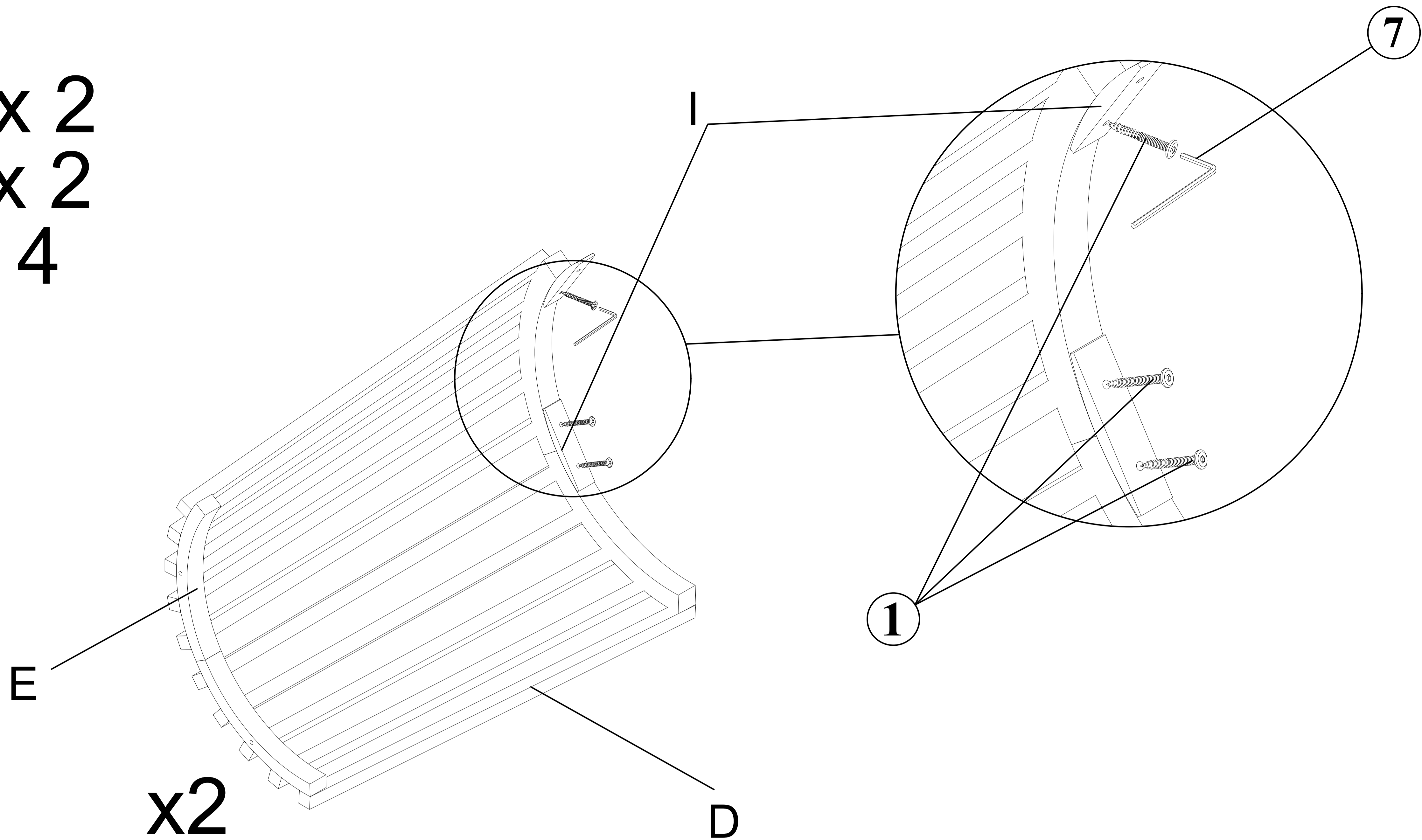
①



Screw (M6x30)

6pcs

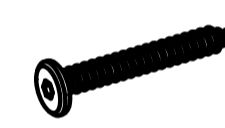
D x 2
E x 2
I x 4



Fix the Left Leg Part (D), Middle Leg Part (E) and Connector (I) by using 3pcs Screws (①) by Allen Wrench (⑦).
DO NOT fully tighten the bolts.

Step 3:

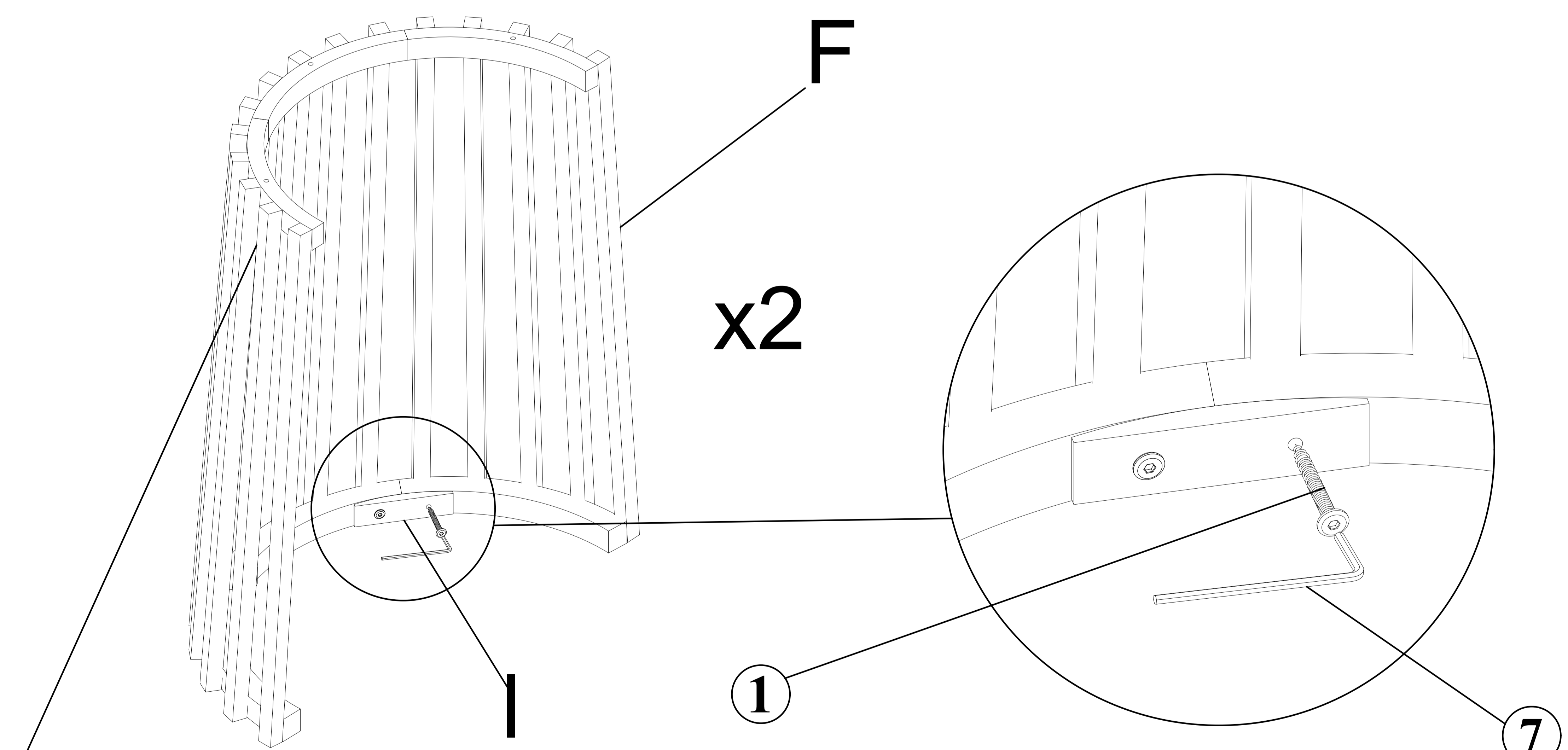
①



Screw (M6x30)

2pcs

Assembled Step 2 x 2
F x 2

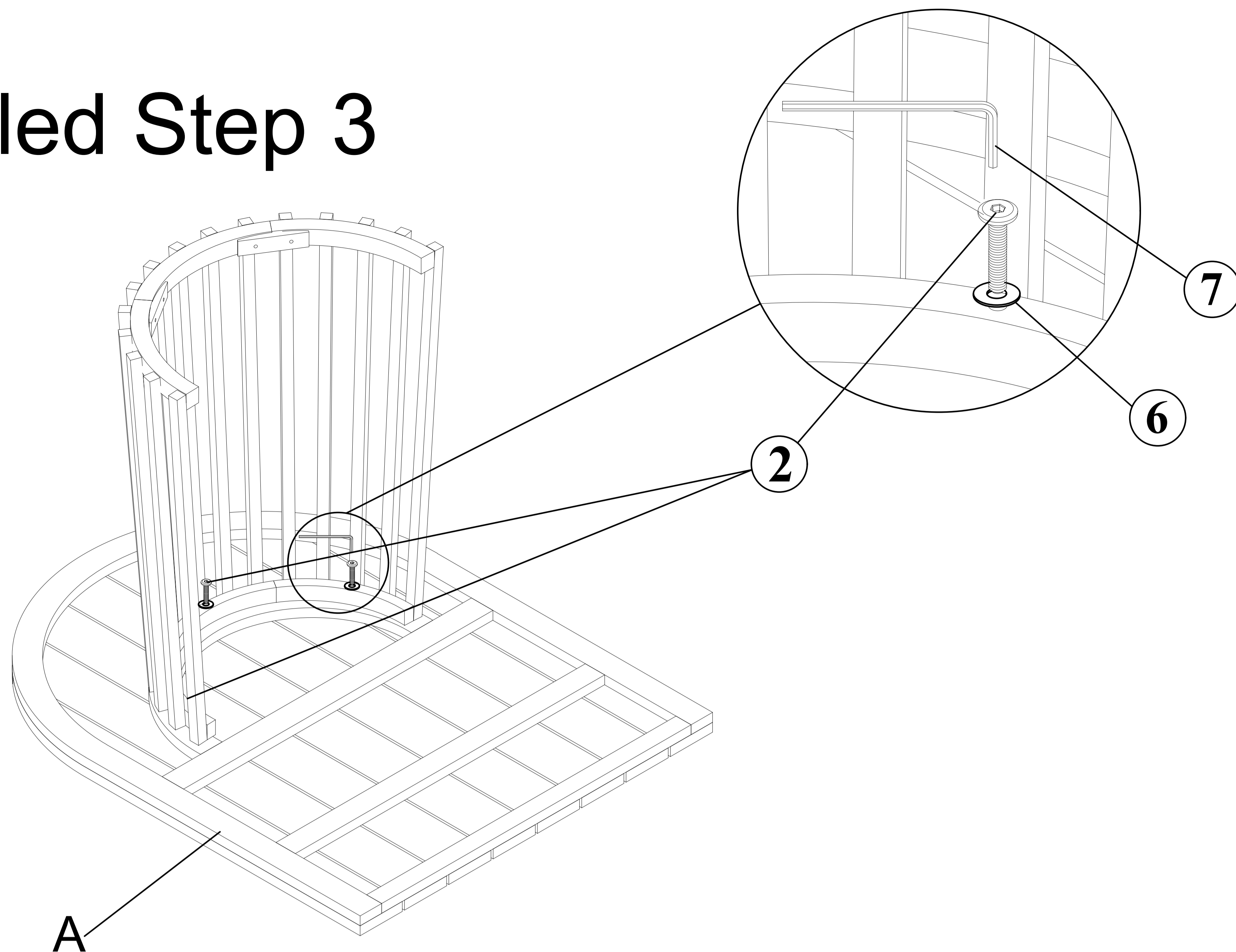


Assembled Step 2

Fix the Right Leg Part (F) to the **Assembled parts in Step 2** by using 1pc Screws (①) by Allen Wrench (⑦).
DO NOT fully tighten the bolts.

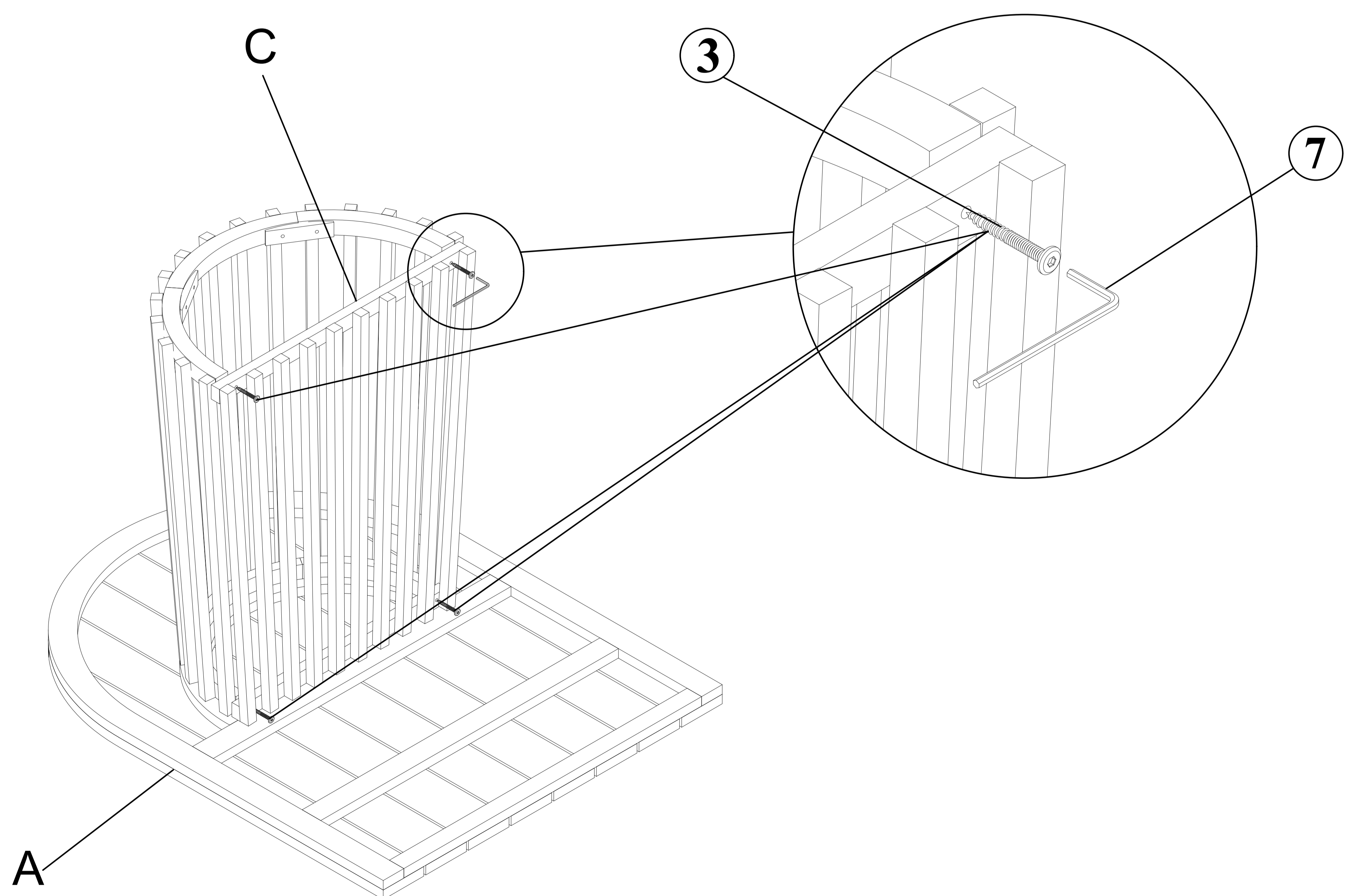
Step 4:

Assembled Step 3



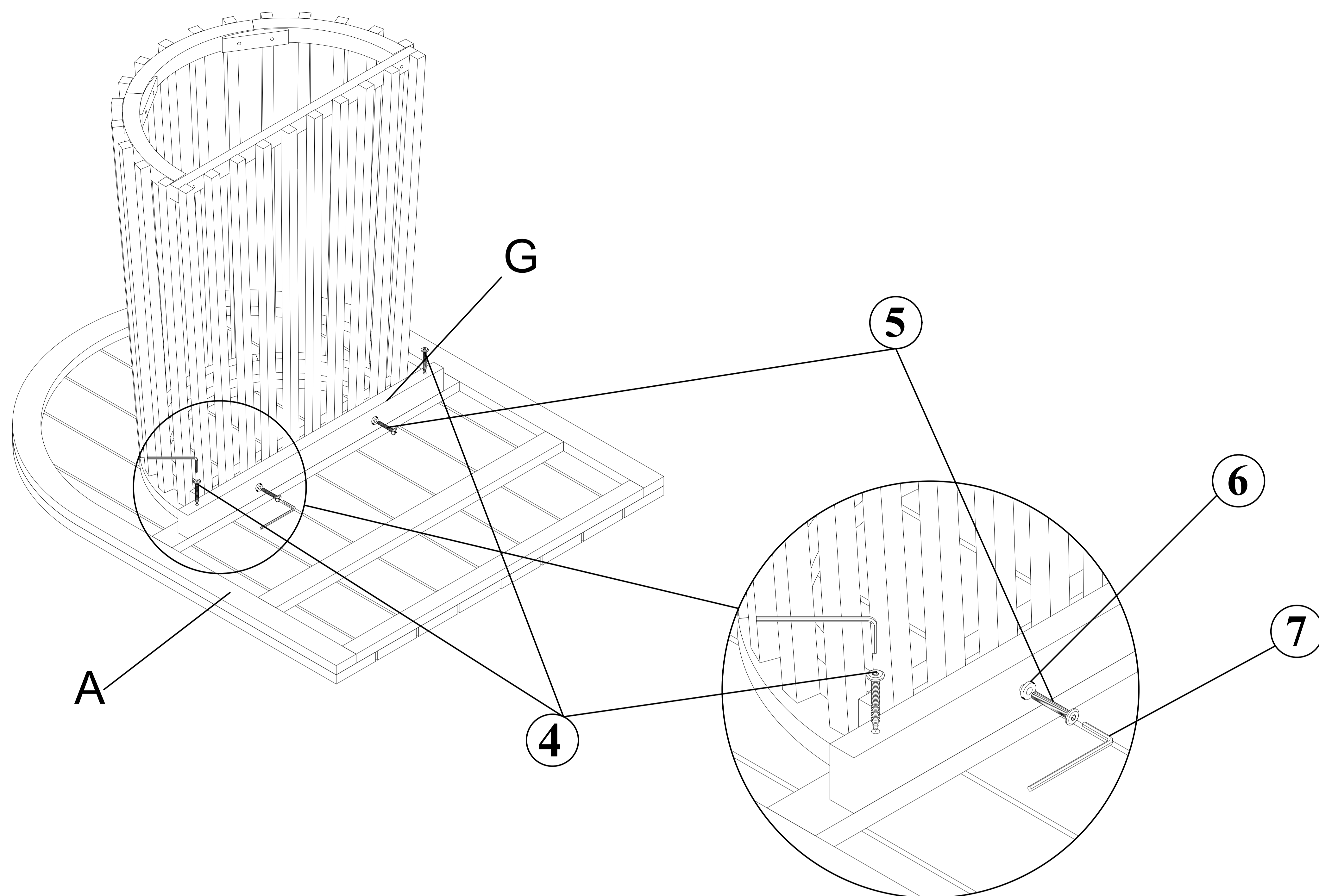
Insert Left Table Top (A) to the **Assembled parts in Step 3**, then secure by using 3pcs Bolts (②) and 3 pcs Washer (⑥) by Allen Wrench (⑦) as shown above.
DO NOT fully tighten the screws.

Step 5:



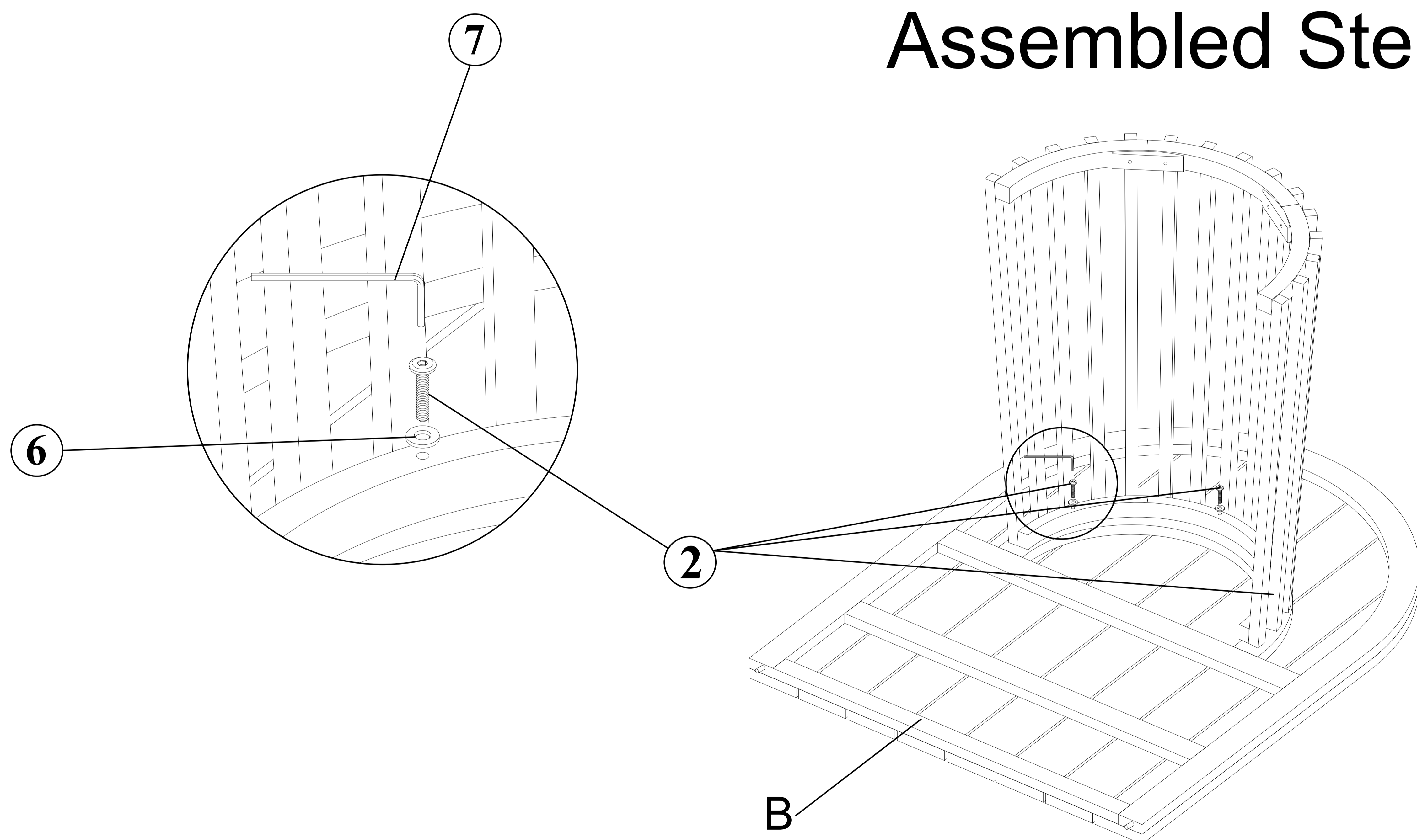
Fix Flat Leg Part (C) to the **Assembled parts in Step 4**, then secure by using 4pcs Screw (③) by Allen Wrench (⑦) as shown above.
DO NOT fully tighten the screws.

Step 6:



Insert Cross Bar (G) to the **Assembled parts in Step 5**, then secure by using 2pcs Screw (④), 2pcs Bolt (⑤) and 2pcs Washer (⑥) by Allen Wrench (⑦) as shown above.
DO NOT fully tighten the screws.

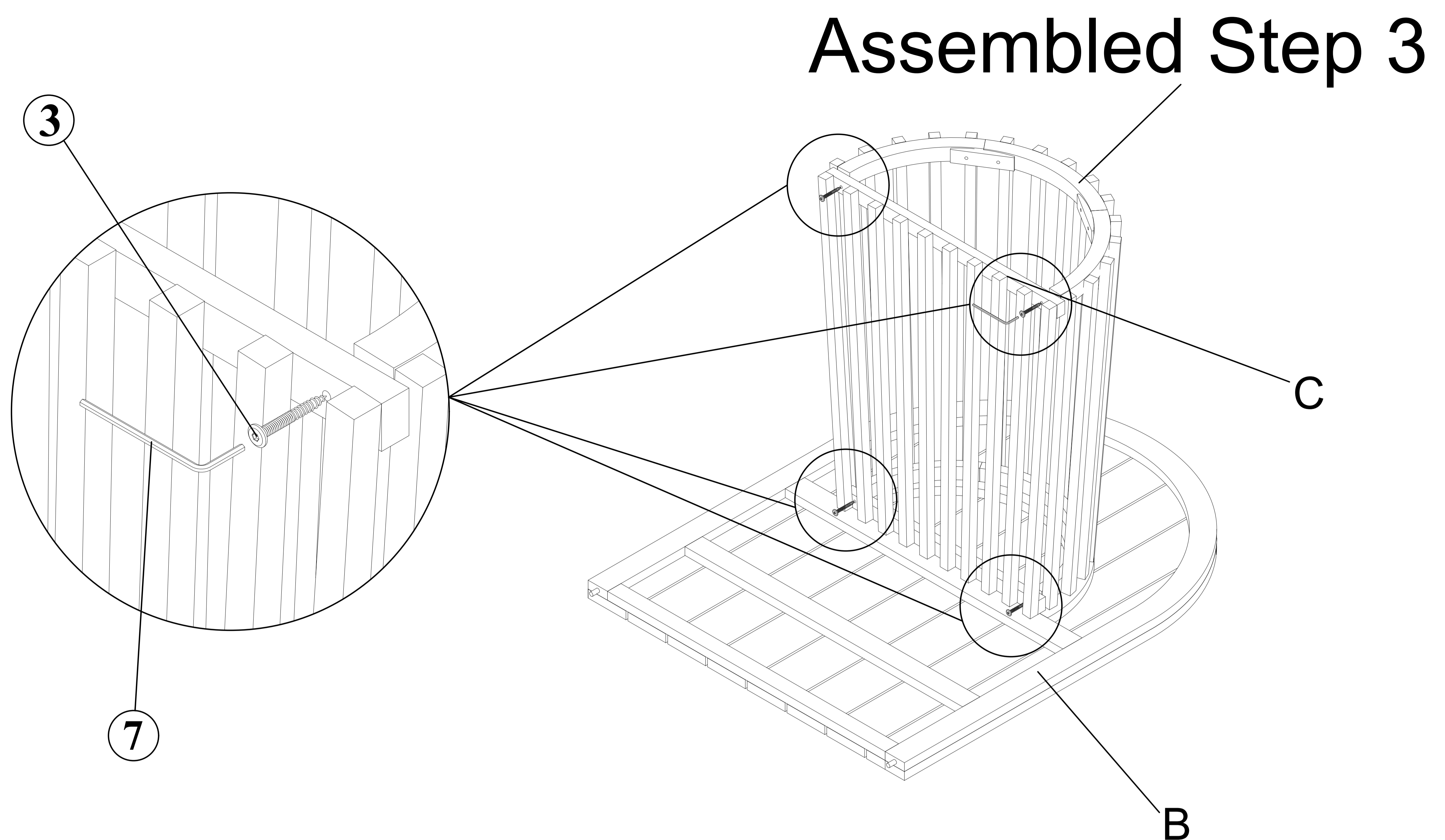
Step 7:



Assembled Step 3

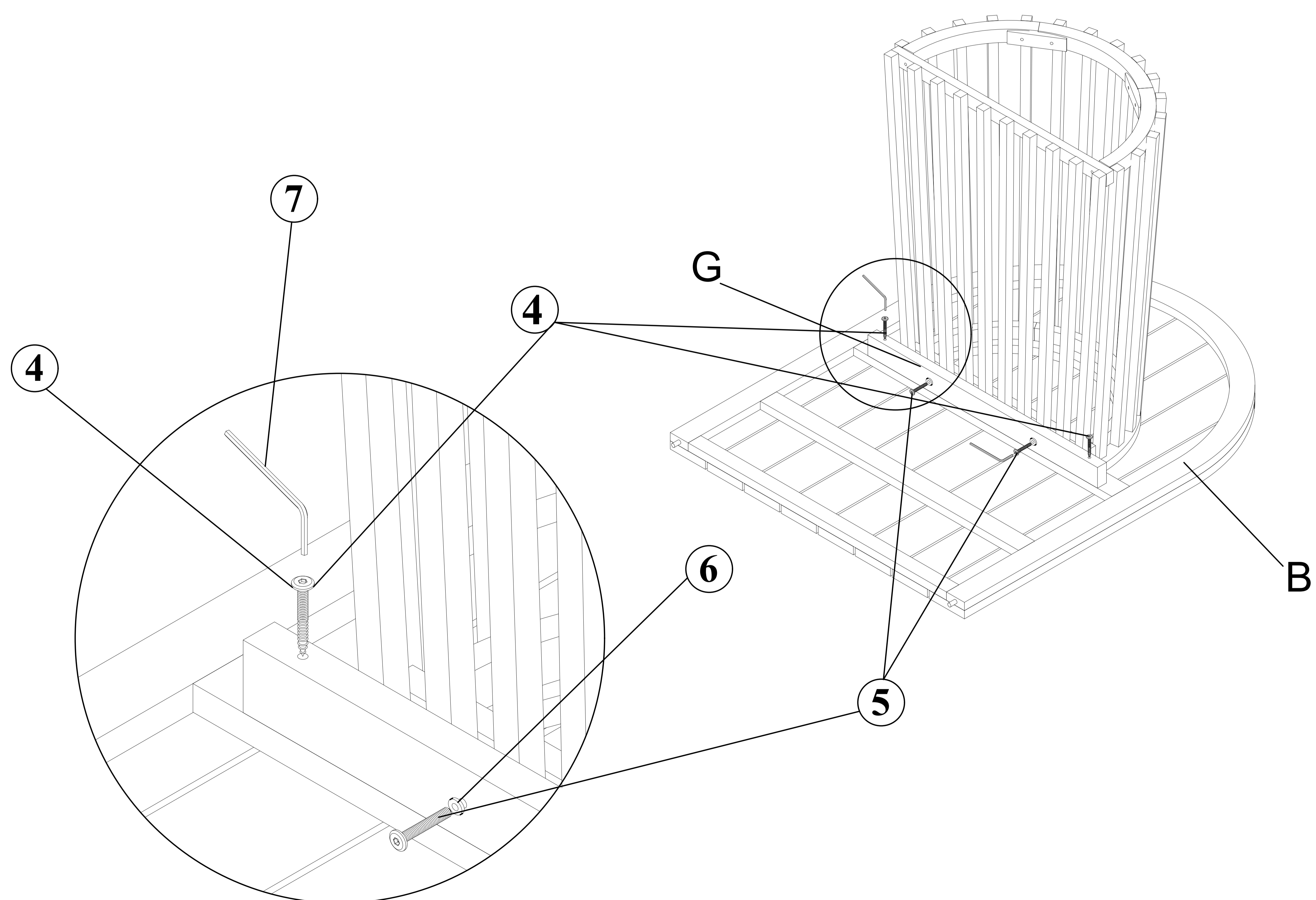
Insert Right Table Top (B) to the **Assembled parts in Step 3**, then secure by using 3pcs Bolts (②) 3 pcs Washer (⑥) by Allen Wrench (⑦) as shown above.
DO NOT fully tighten the screws.

Step 8:



Fix Flat Leg Part (C) to the **Assembled parts in Step 7**, then secure by using 4pcs Screw (③) by Allen Wrench (⑦) as shown above.
DO NOT fully tighten the screws.

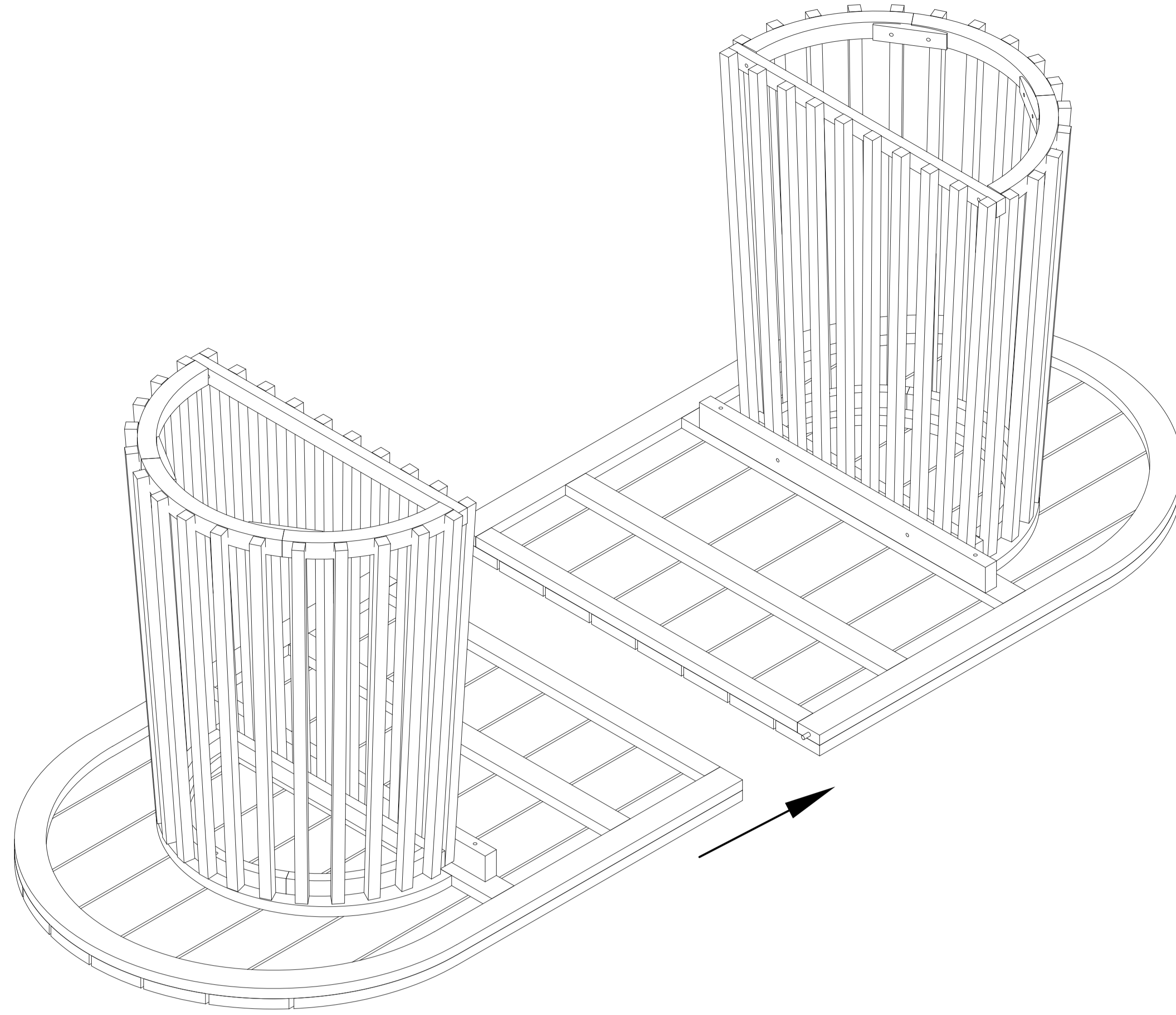
Step 9:



Insert Cross Bar (G) to the **Assembled parts in Step 8**, then secure by using 2pcs Screw (④), 2pcs Bolt (⑤) and 2pcs Washer (⑥) by Allen Wrench (⑦) as shown above.
DO NOT fully tighten the screws.

Step 10:

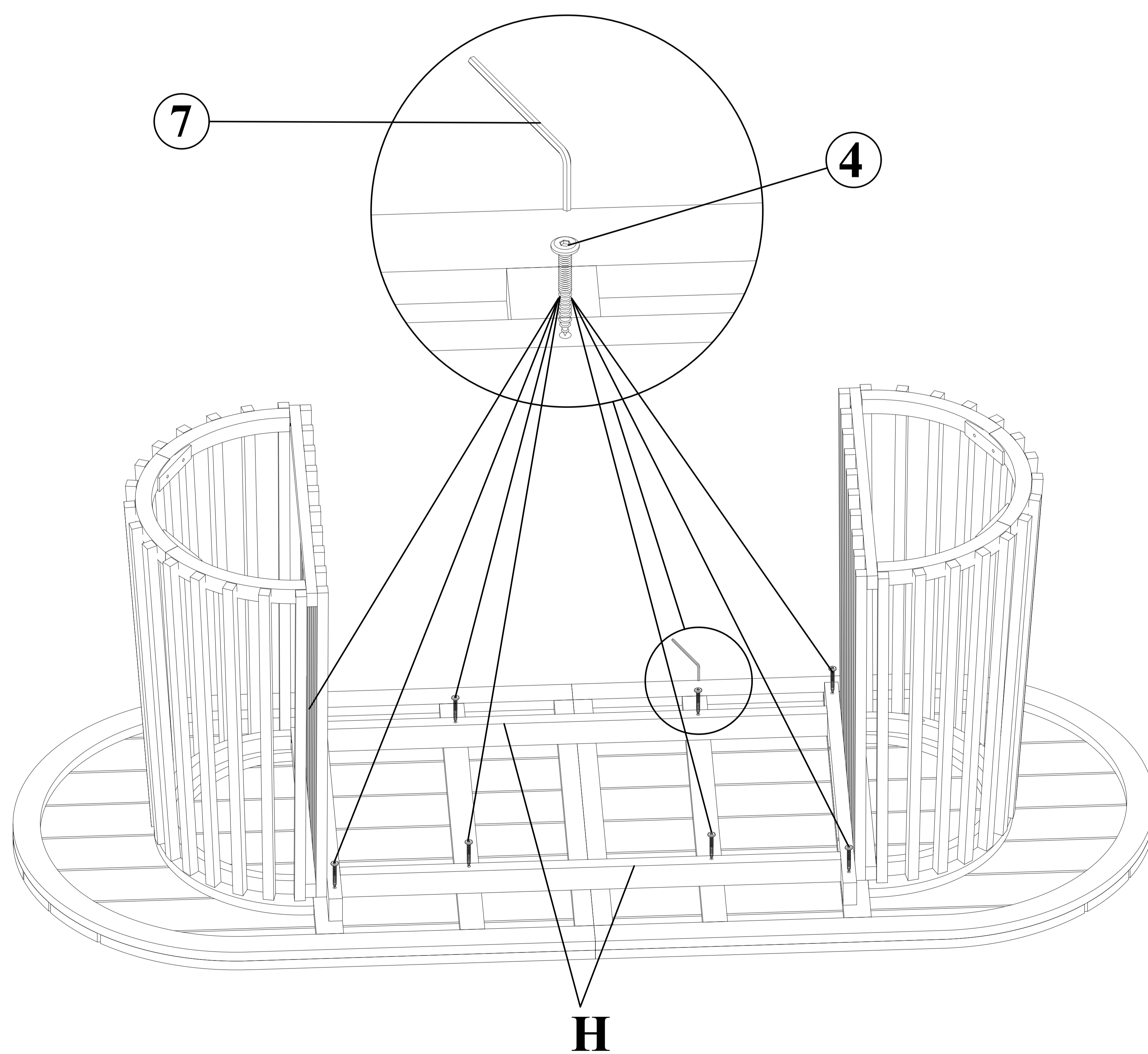
Assembled Step 9



Assembled Step 6

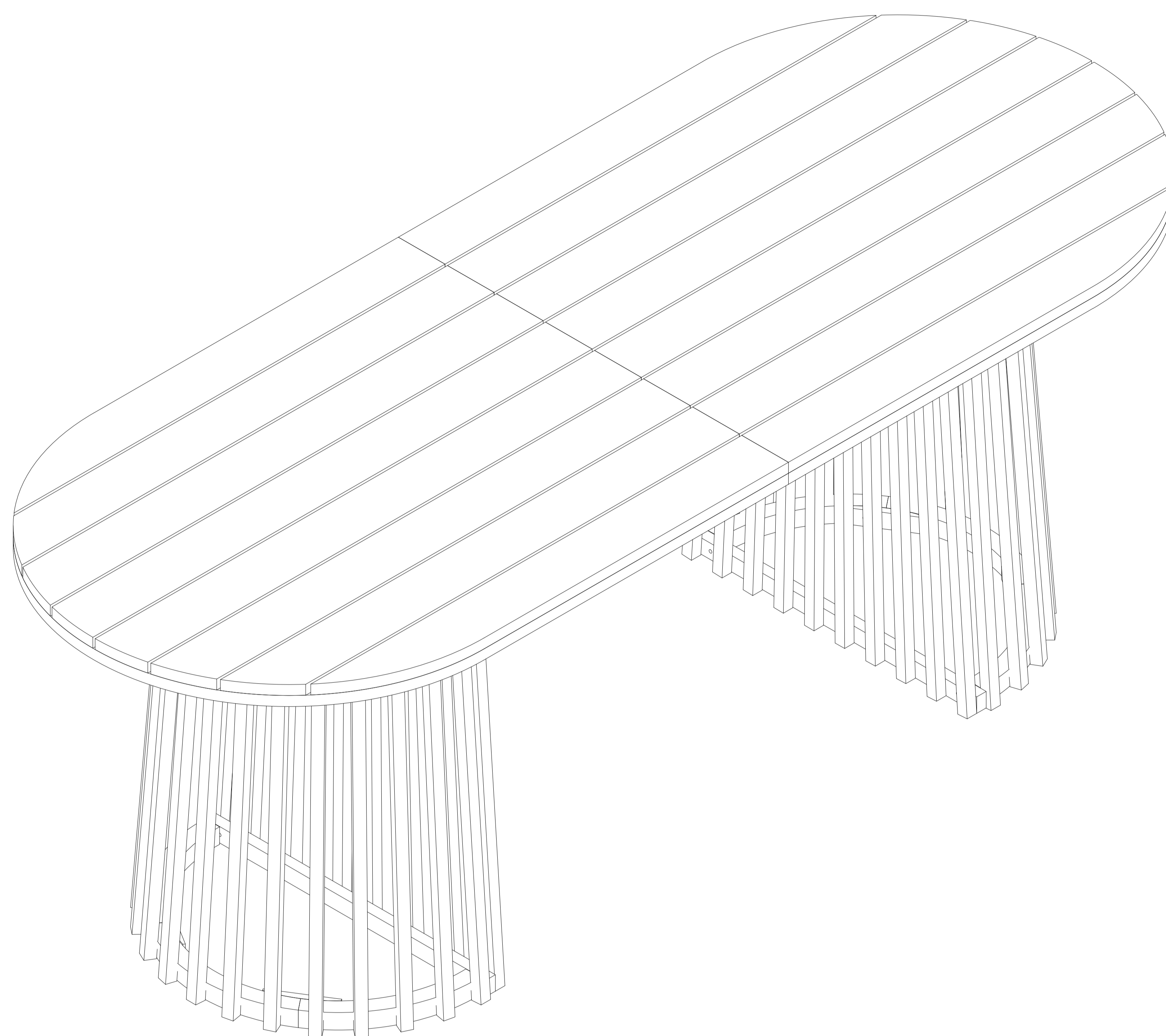
Insert 2 set **Assembled parts in Step 6** and **Assembled parts in Step 6** as shown above
DO NOT fully tighten the screws.

Step 11:



Insert Main Support Bar (H) to the **Assembled parts in Step 10**, then secure by using 8pcs Screw (④) by Allen Wrench (⑦) as shown above.
DO NOT fully tighten the screws.

Step 12:



With the help of your adult partner, Turn over Table on Flat Surface
Inspect it and make sure all parts are adequately connected.

Then tighten all Screws at all joints until evenly connected.

If there are still wobbles, loosen the Screws and execute this same process.

WARNING!! IF TABLE IS NOT STABLE, IT COULD LEAD TO DAMAGING THE PRODUCT.

Your Table is ready for use.

This Table can only be used on a flat, level surface.