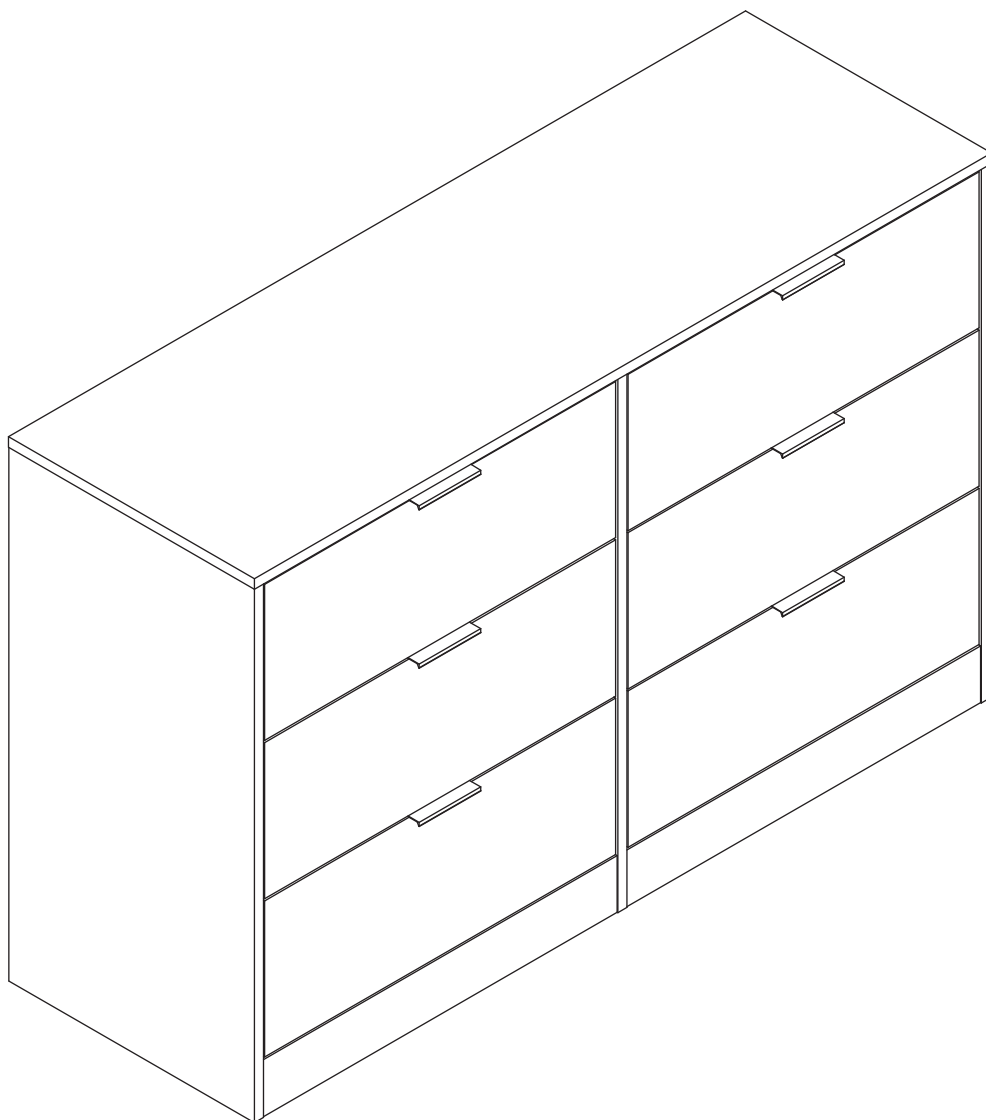
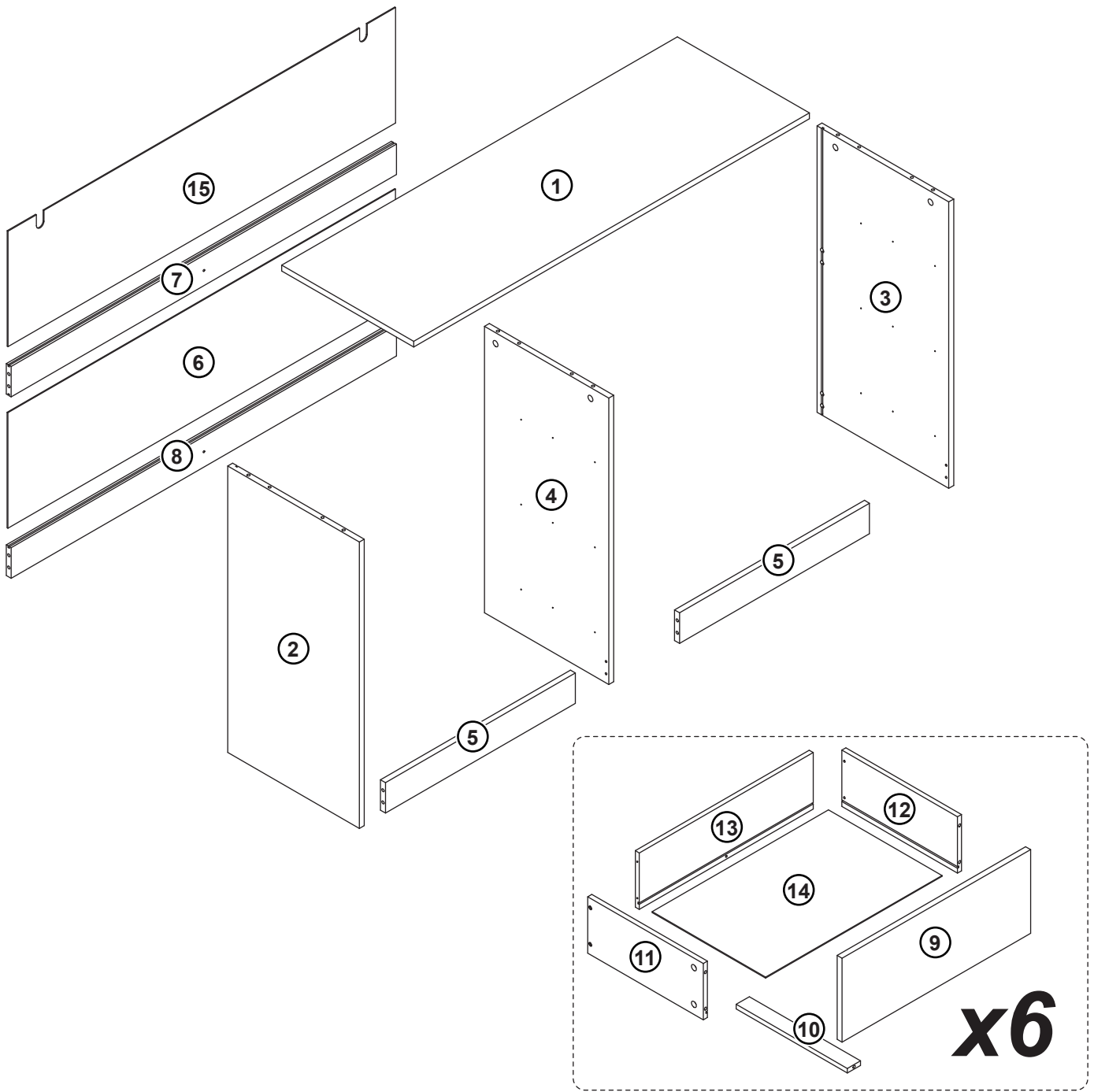


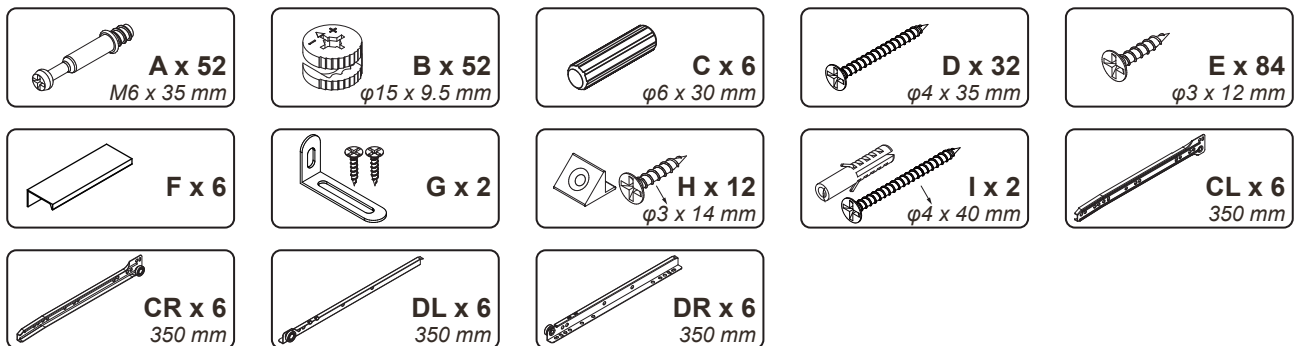
ASSEMBLY INTRODUCTION



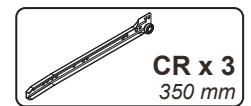
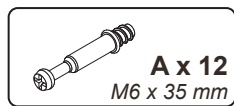
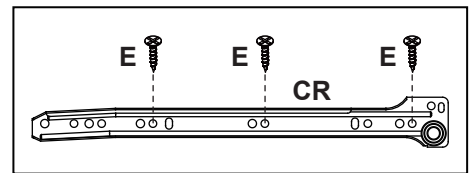
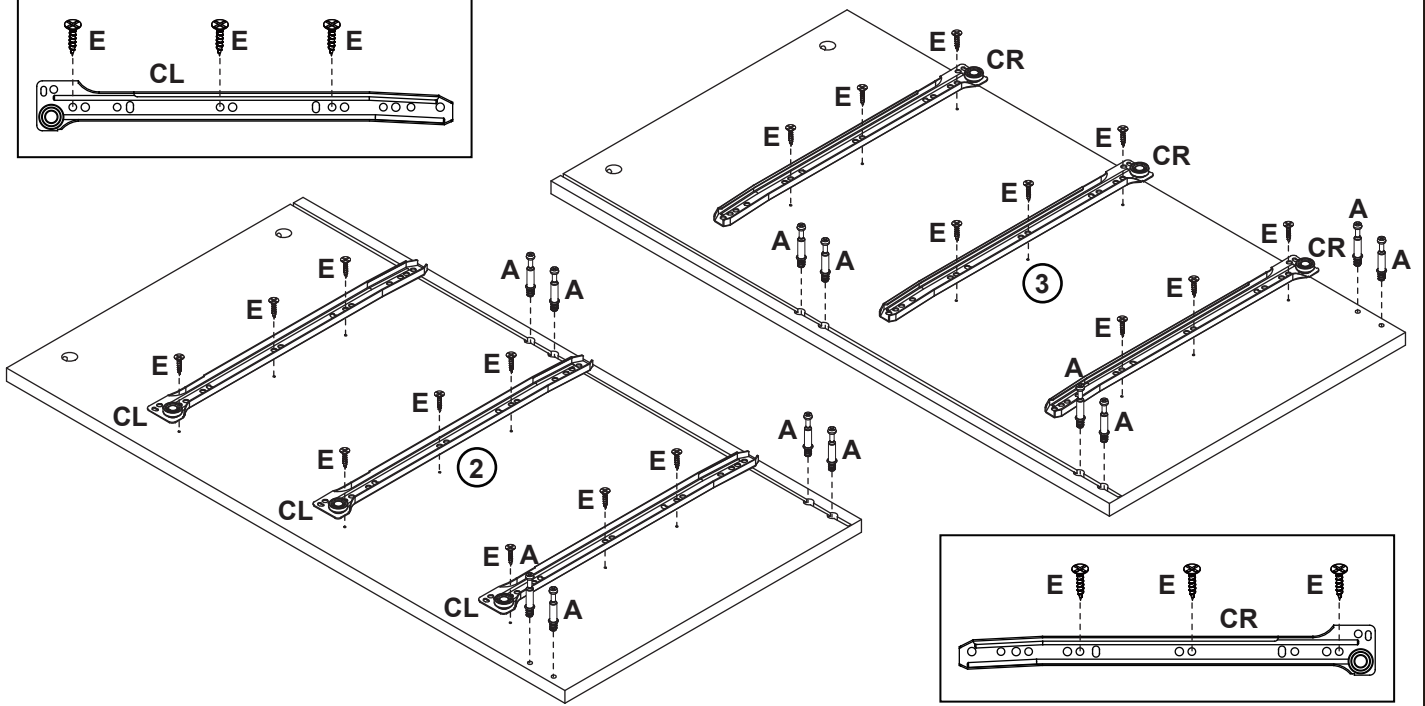
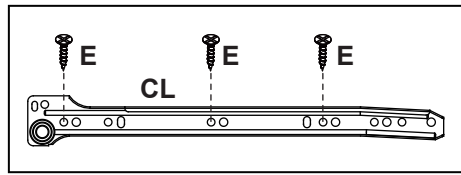
Exploded View



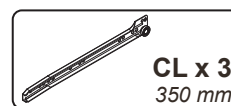
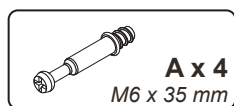
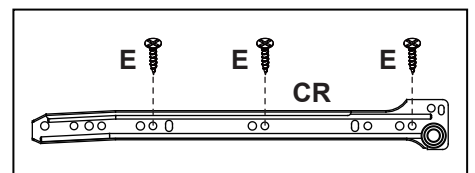
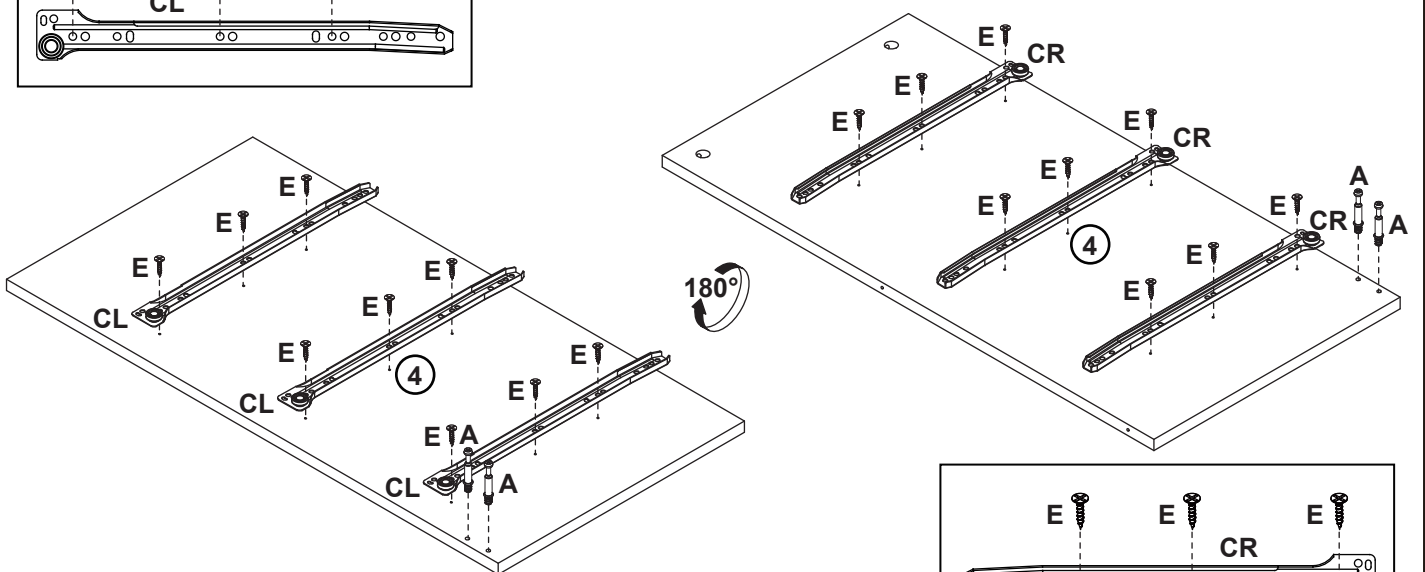
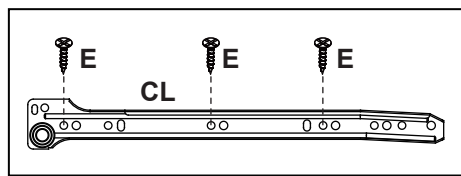
Fitting



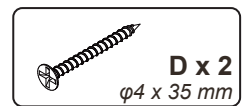
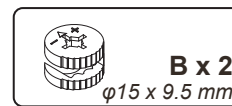
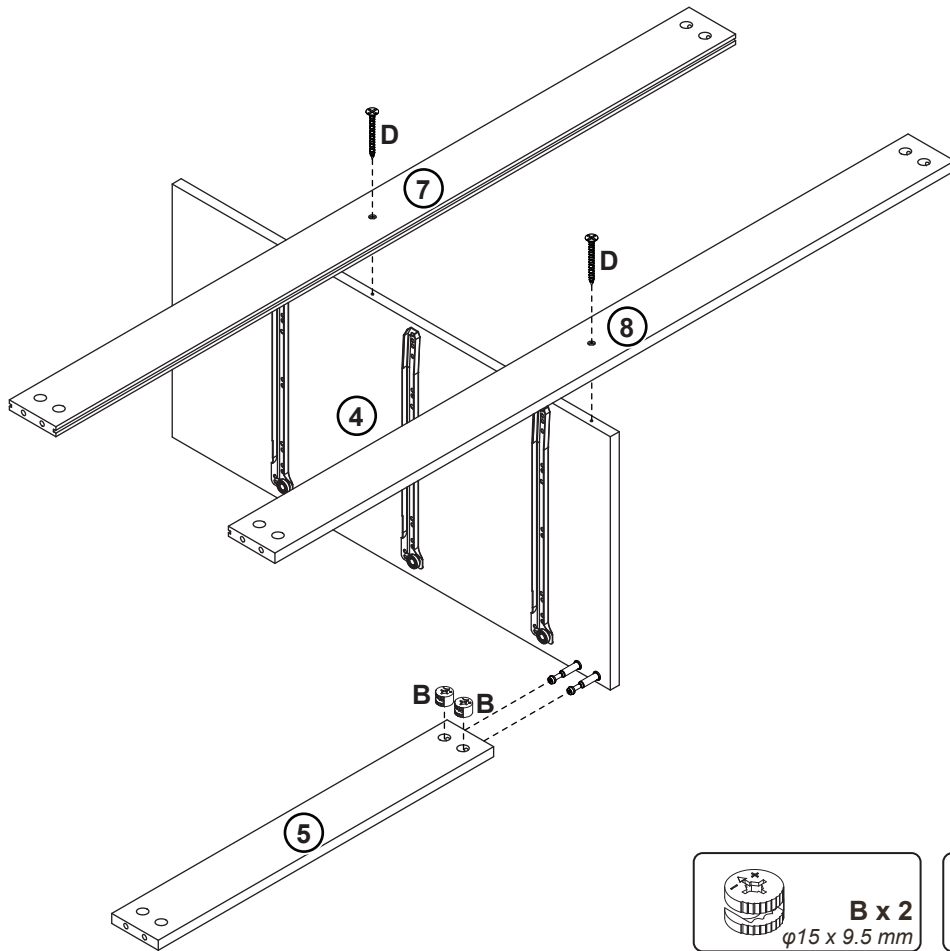
Step 1



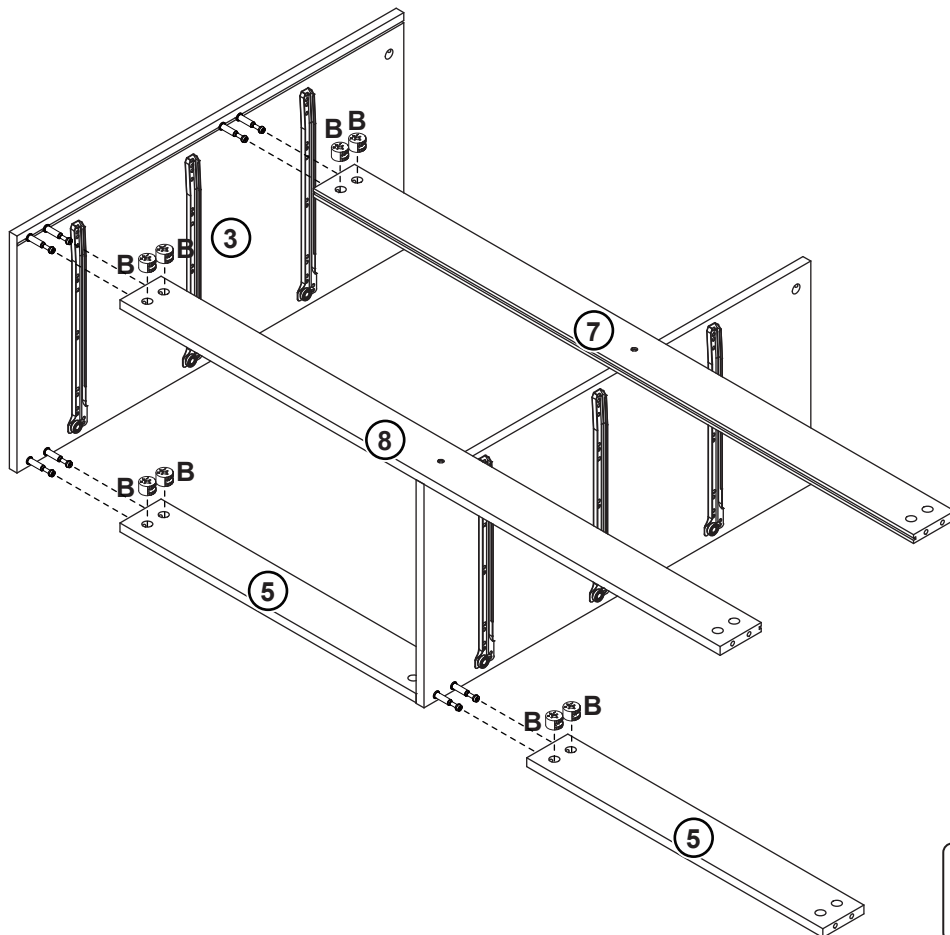
Step 2



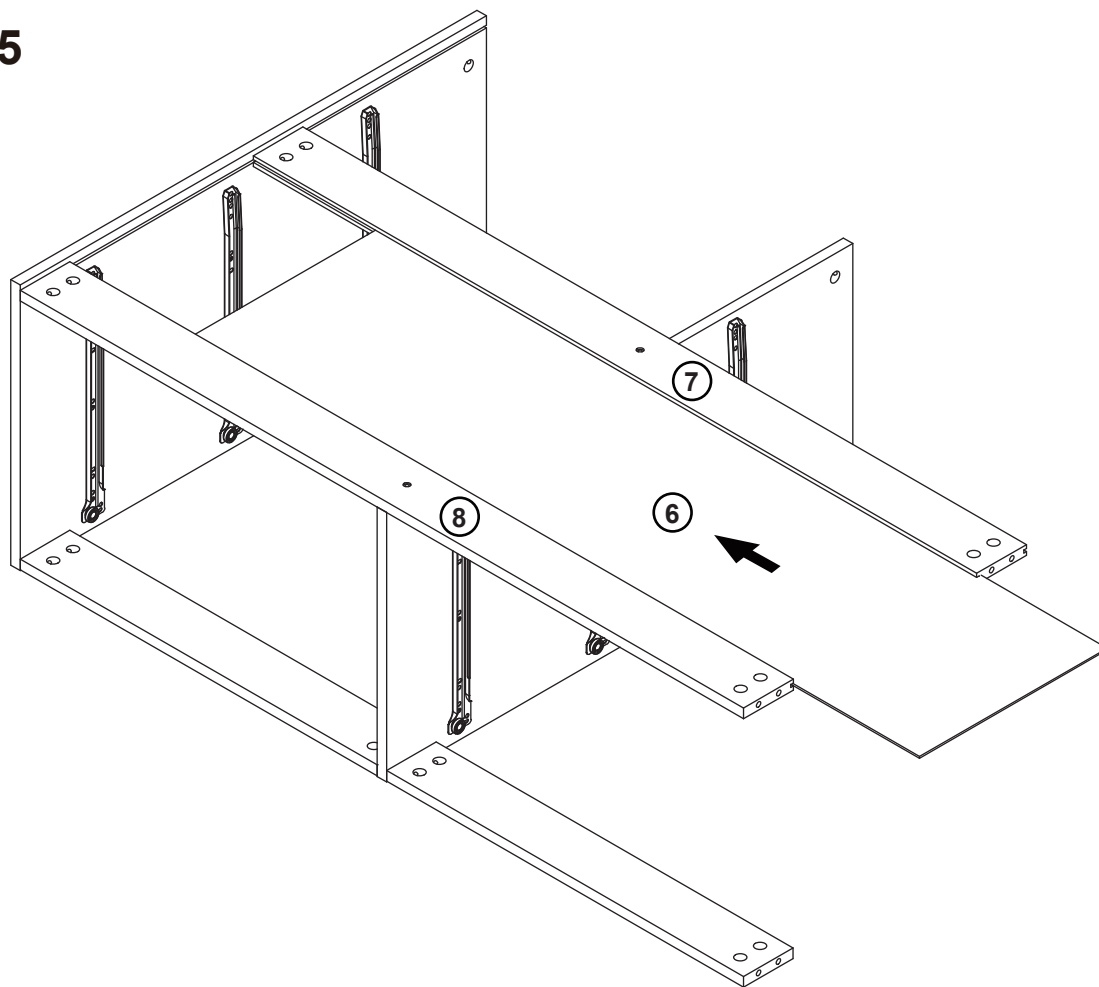
Step 3



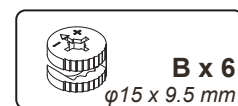
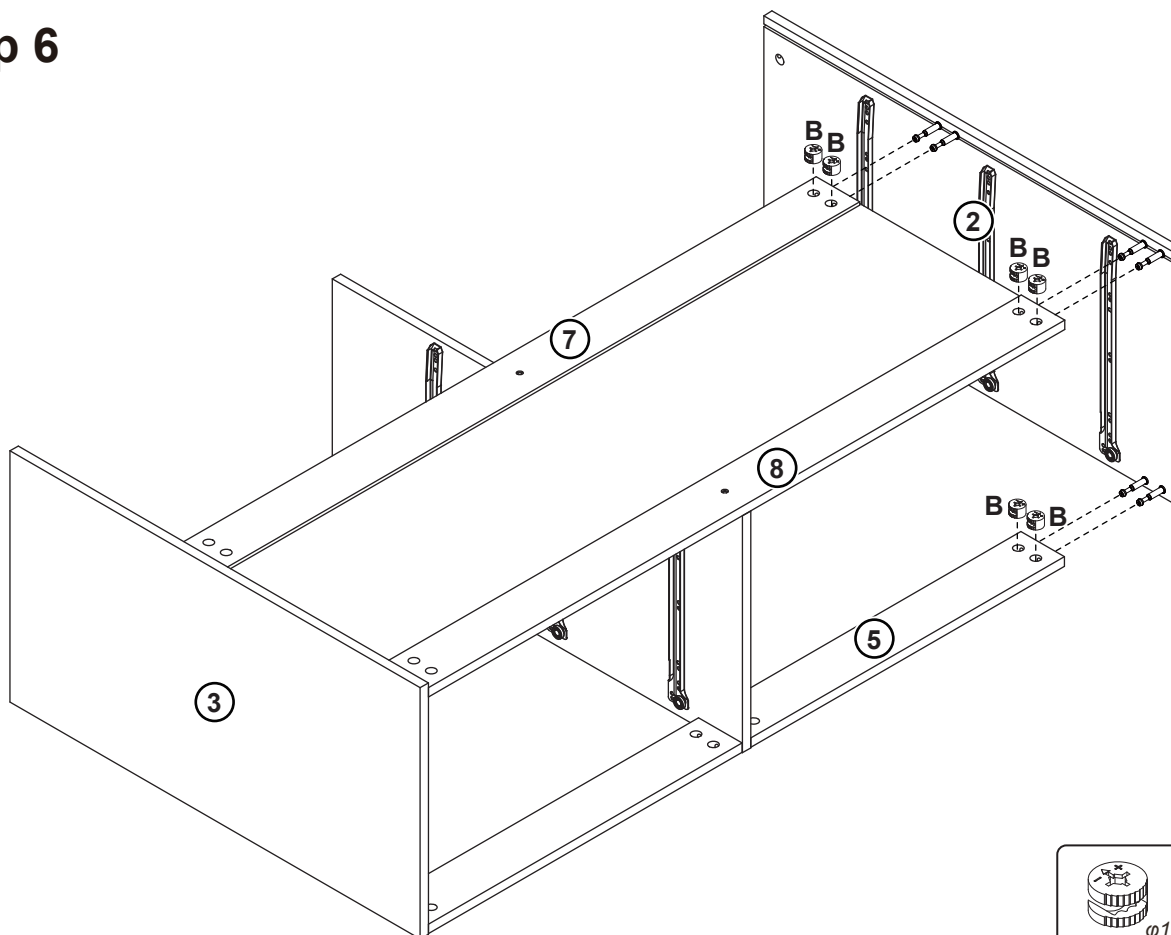
Step 4



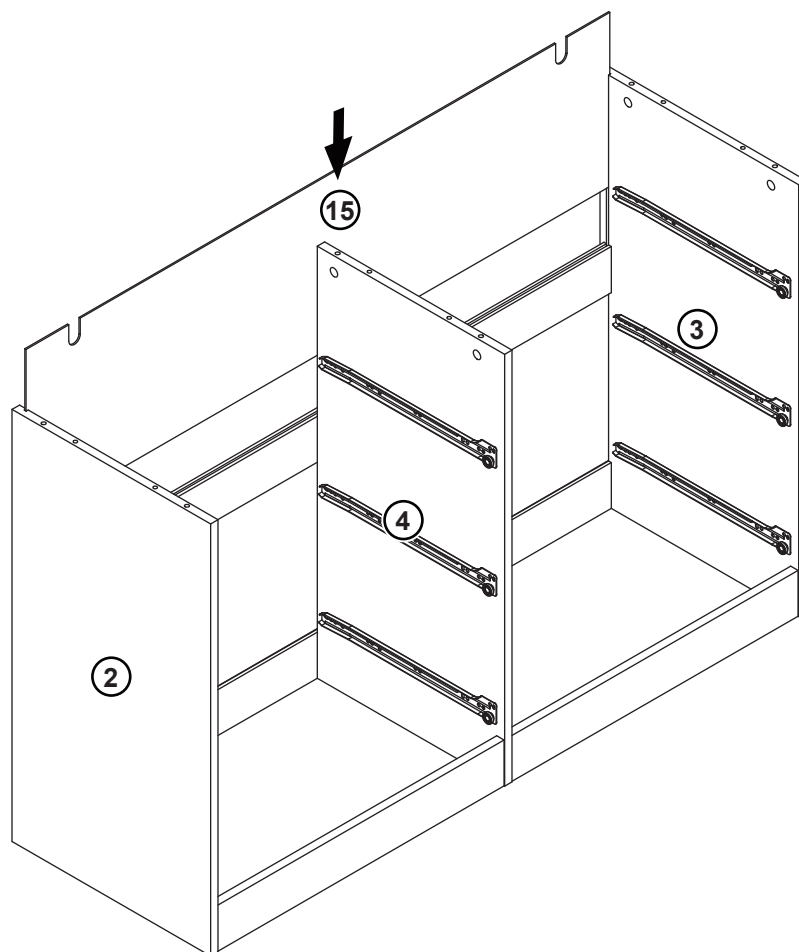
Step 5



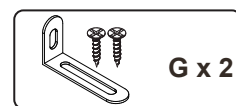
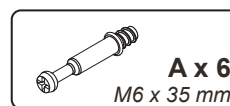
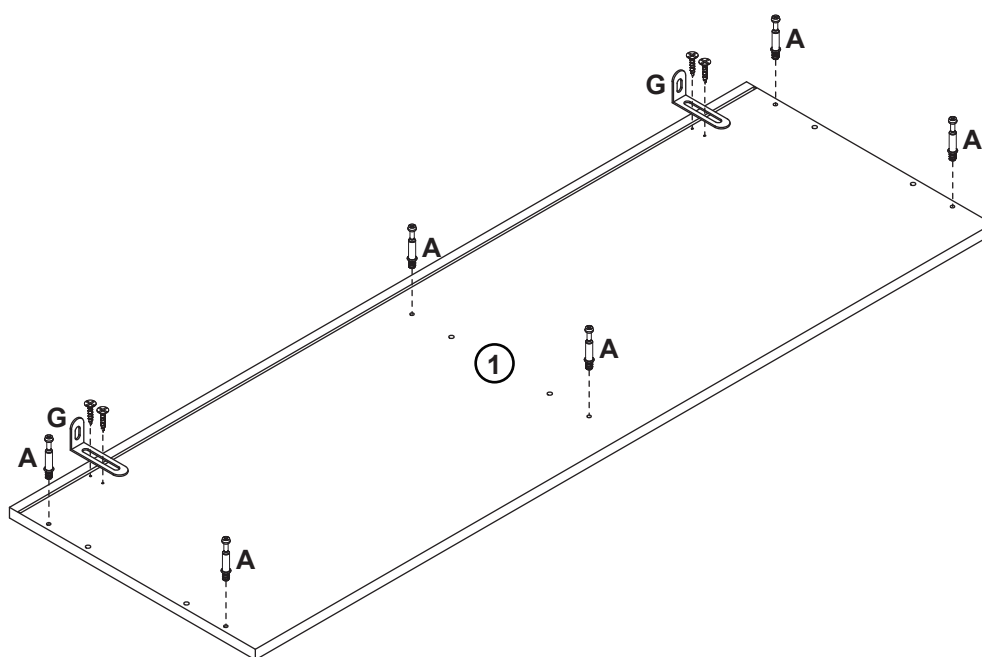
Step 6



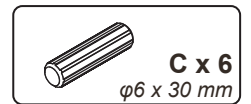
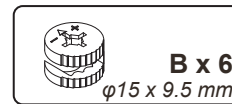
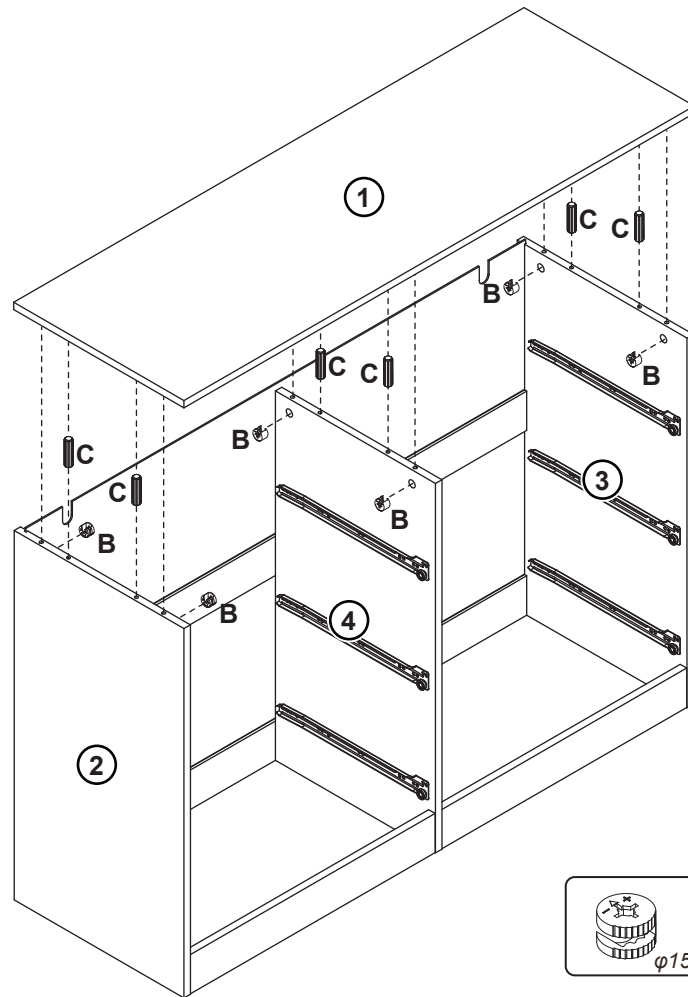
Step 7



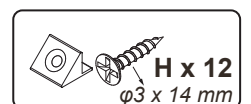
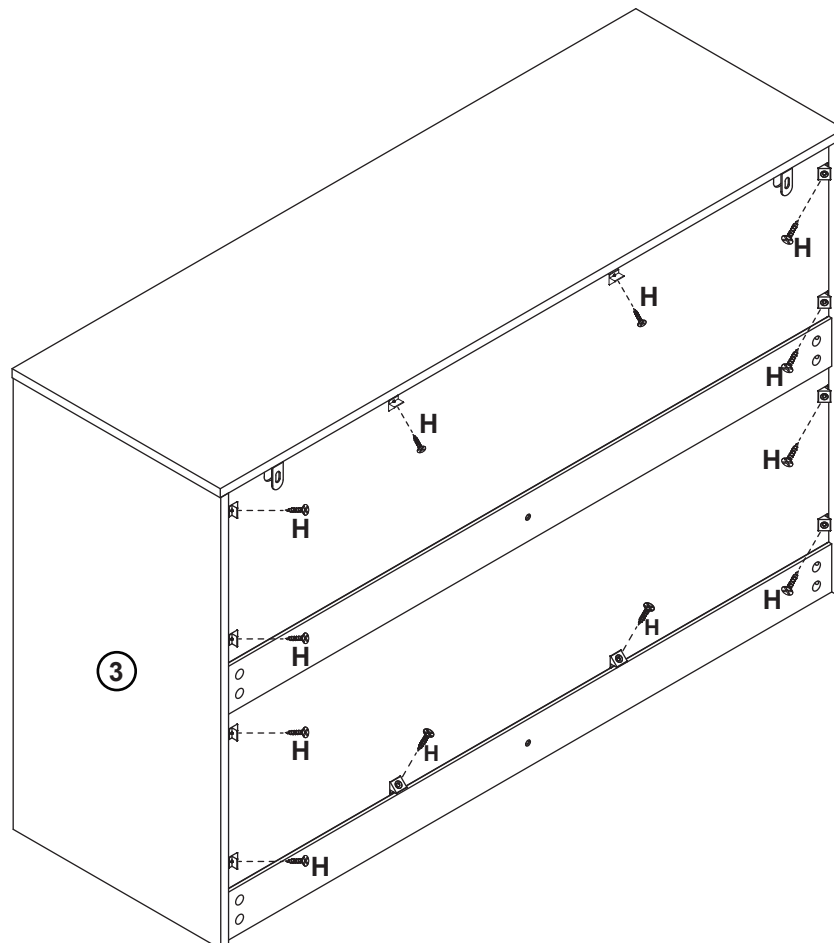
Step 8



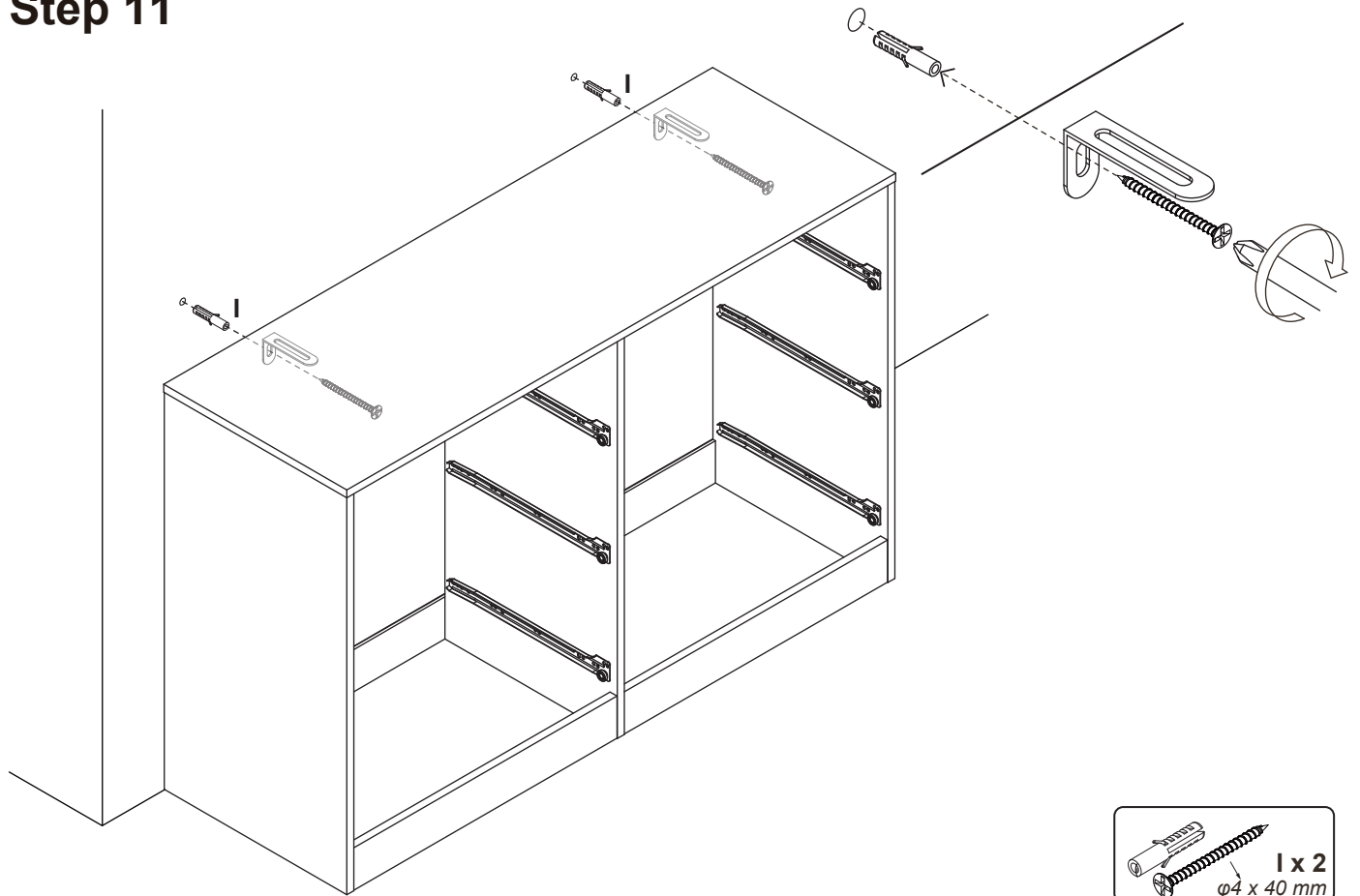
Step 9



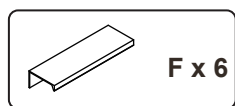
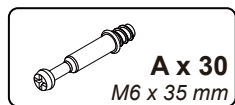
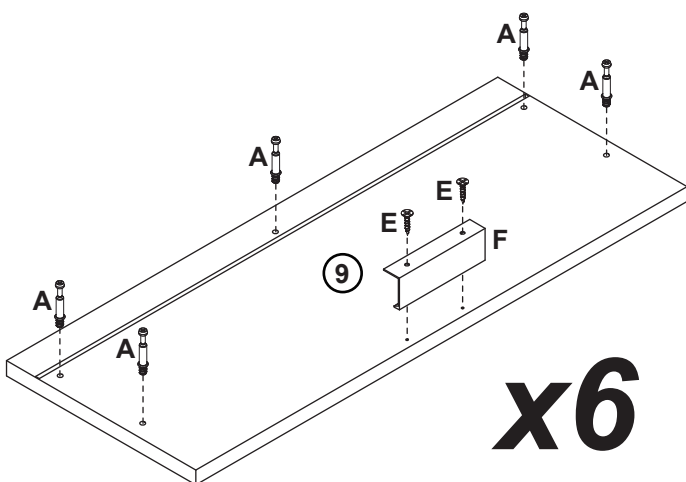
Step 10



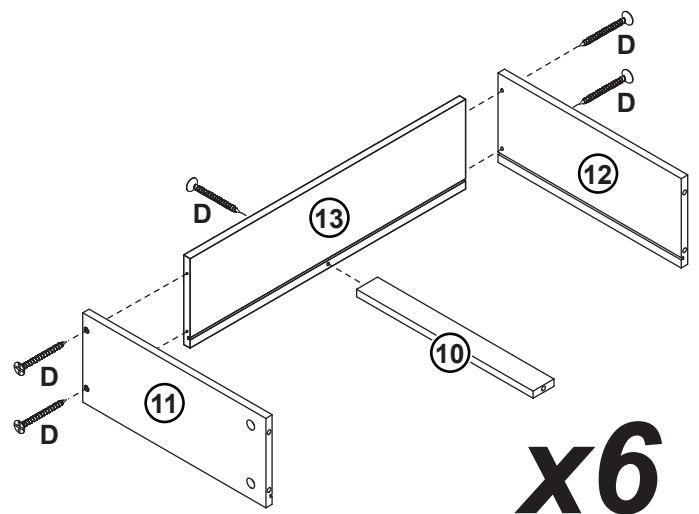
Step 11



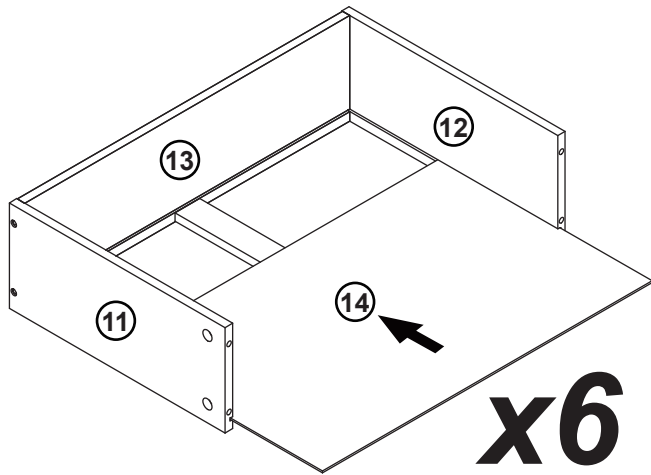
Step 12



Step 13

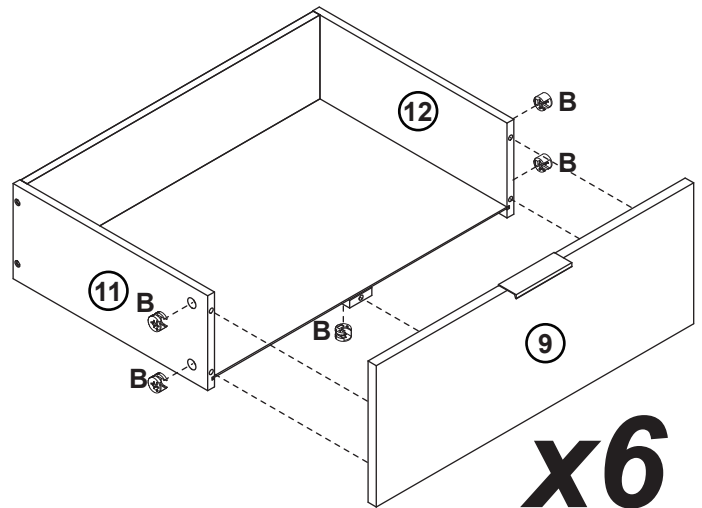


Step 14



x6

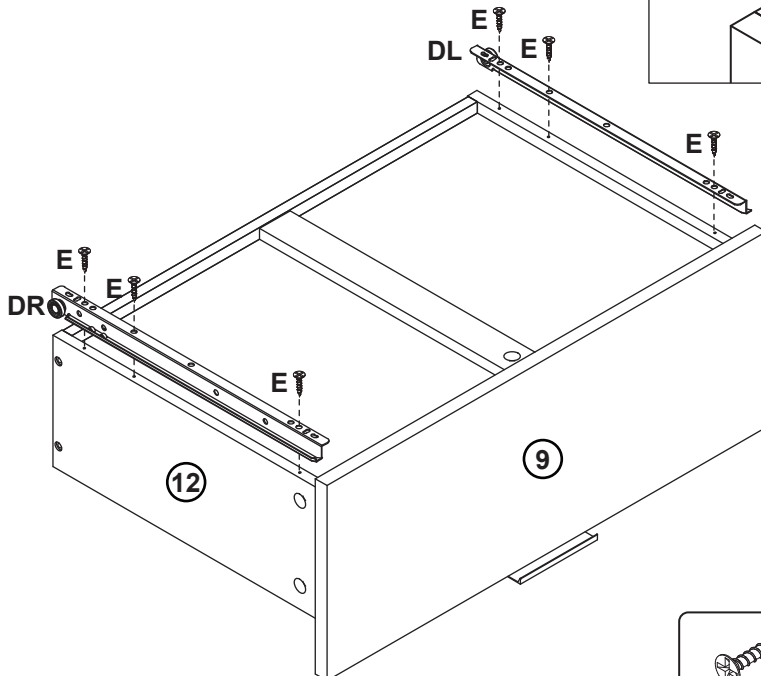
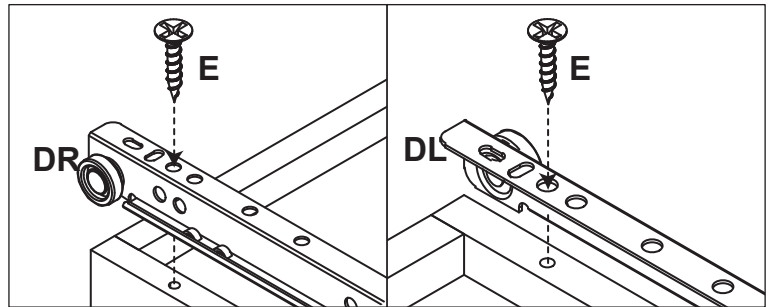
Step 15



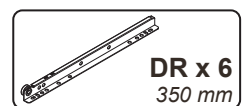
x6



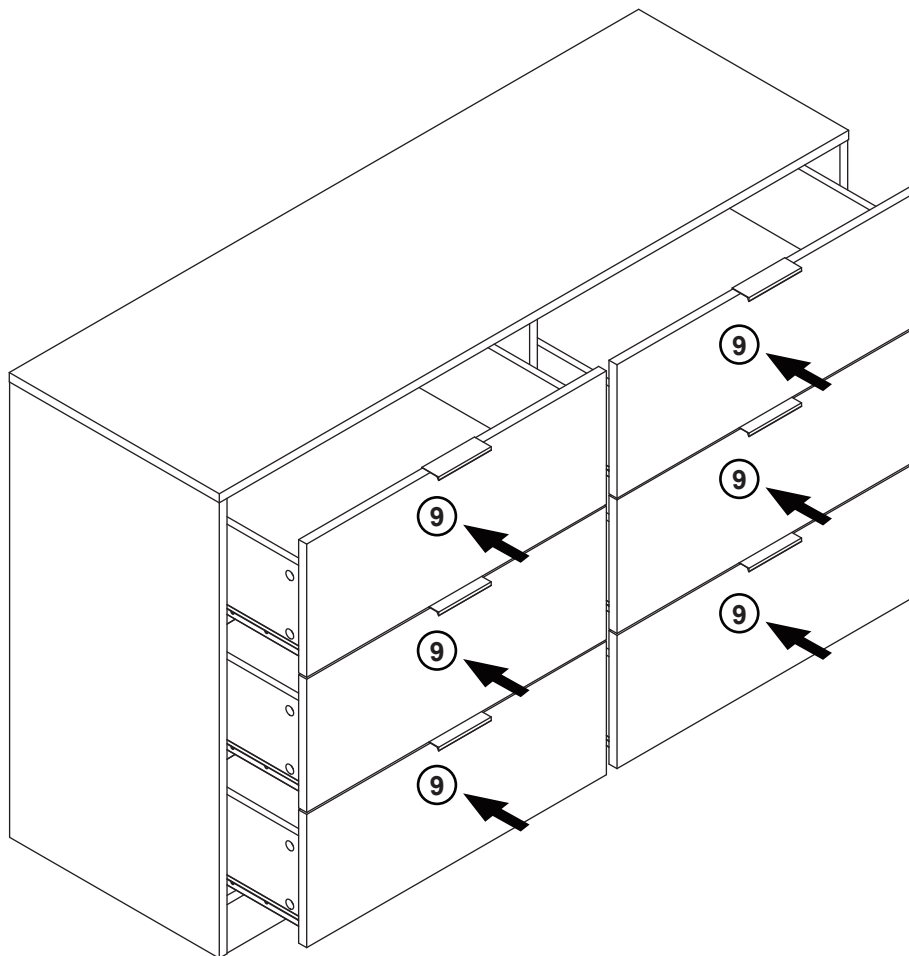
Step 16



x6



Step 17



Step 18

