

ASSEMBLY INSTRUCTION

Thank you for purchasing this quality product. Be sure to check all packing material carefully for small parts which may have come loose inside the carton during shipment. Separate, identify and count all parts and hardware. Compare with the parts list to be sure all parts are present.

IMPORTANT : PLEASE READ INSTRUCTION BEFORE STARTING THE ASSEMBLY.

"DO NOT TIGHTEN SCREWS UNTIL COMPLETELY ASSEMBLED"

"DO NOT OVERTIGHT ANY HARDWARE"

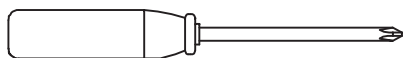
WARNING : SMALL PARTS AND HARDWARE NOT FOR CHILDREN UNDER 3 YEARS. ADULT ASSEMBLY REQUIRED.

TABLE OF CONTENTS

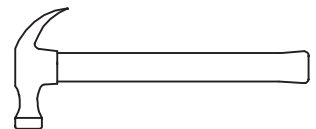
HARDWARES LIST	PAGE 2 - 3
PARTS LIST	PAGE 3 - 5
PARTS' LOCATION	PAGE 6 - 7
ASSEMBLY STEPS	PAGE 8 - 17
ASSEMBLY COMPLETED	PAGE 17

ASSEMBLY TOOLS REQUIRED

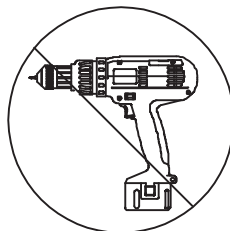
1. Screwdriver (not provide)



2. Hammer (not provide)



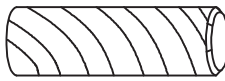

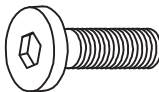
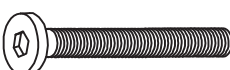





Skip the power drill this time.



ASSEMBLY INSTRUCTION




HARDWARES LIST

ITEM	DESCRIPTION	DRAWING	QTY
A	MINIFIX CAM LOCK		12 PCS
B	MINIFIX CAM BOLT		12 PCS
C	WOOD DOWEL (M8 x 30MM)		12 PCS
D	WOOD DOWEL (M6 x 30MM)		16 PCS
E	JCBC SCREW M8 x 20MM		8 PCS
F	JCBC SCREW M6 x 50MM		33 PCS
G	SPRING WASHER M6 x 13MM		23 PCS
H	FLAT WASHER M6 x 19MM		23 PCS
I	CSK C/B SCREW (M4 x 32MM)		6 PCS

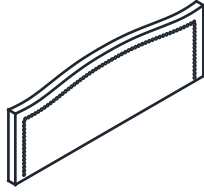
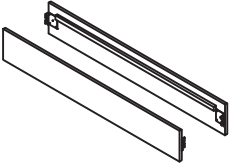
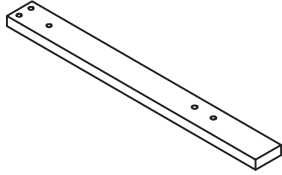
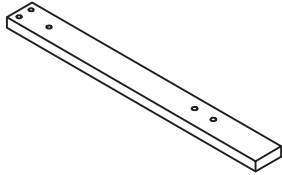
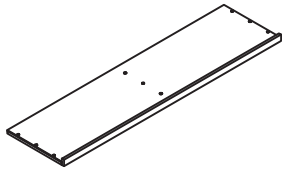
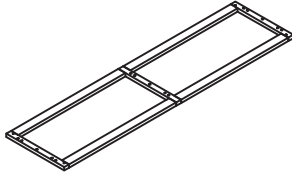
MORE HARDWARES DETAIL IN NEXT PAGE...

ASSEMBLY INSTRUCTION

HARDWARES LIST

ITEM	DESCRIPTION	DRAWING	QTY
J	M4 ALLEN KEY (100MM)		1 PC
K	M5 ALLEN KEY (65MM)		1 PC
L	SUPPORT LEG ADJUSTABLE FEET		7 PCS

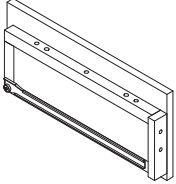
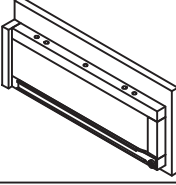
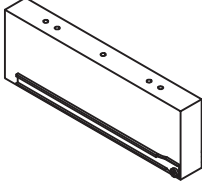
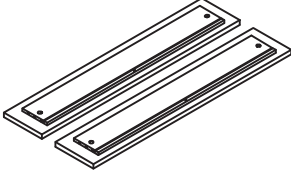
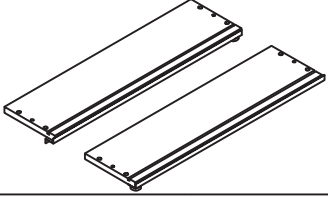
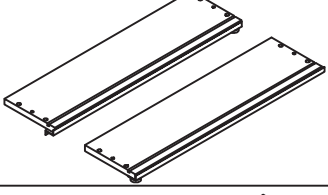
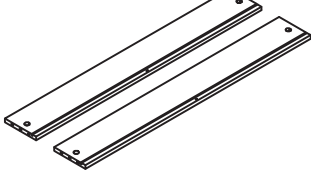
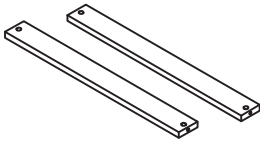
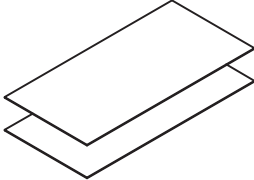
PARTS LIST

ITEM	DESCRIPTION	DRAWING	QTY
1	HEADBOARD		1 PC
2	SIDE RAIL		2 PCS
3	HEADBOARD LEG WITH LABEL "L"		1 PC
4	HEADBOARD LEG WITH LABEL "R"		1 PC
5	FOOTBOARD TOP PANEL		1 PC
6	FOOTBOARD BOTTOM PANEL		1 PC

MORE PARTS DETAIL IN NEXT PAGE...

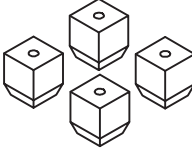

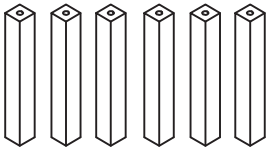
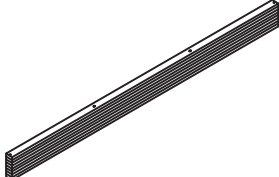
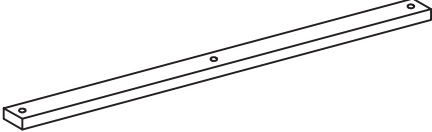
ASSEMBLY INSTRUCTION

PARTS LIST

ITEM	DESCRIPTION	DRAWING	QTY
7	FOOTBOARD SIDE PANEL LEFT		1 PC
8	FOOTBOARD SIDE PANEL RIGHT		1 PC
9	FOOTBOARD CENTER PANEL		1 PC
10	DRAWER HEAD		2 PCS
11	DRAWER SIDE LEFT		2 PCS
12	DRAWER SIDE RIGHT		2 PCS
13	DRAWER BACK		2 PCS
14	DRAWER SUPPORT		2 PCS
15	DRAWER PANEL		2 PCS

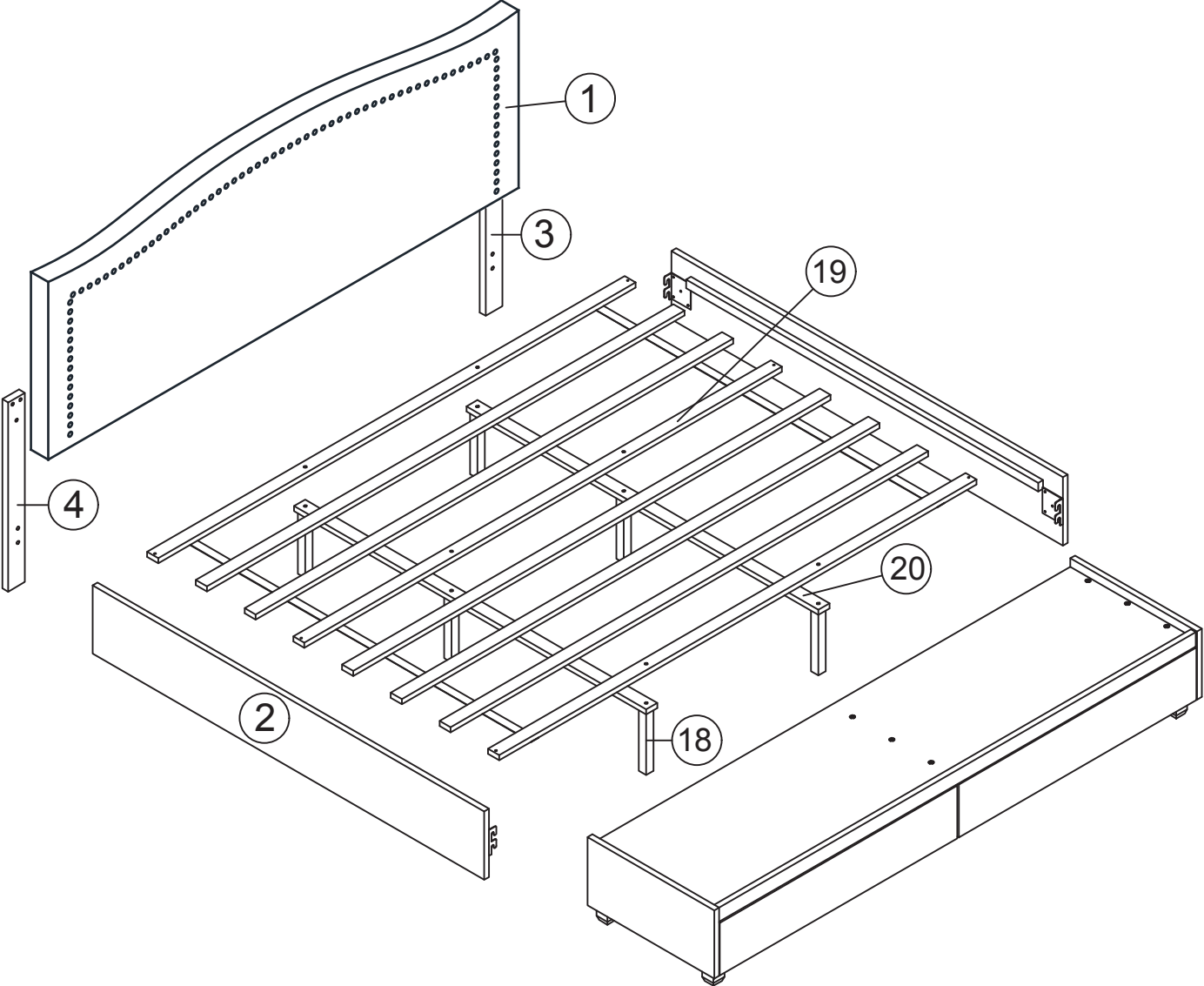
ASSEMBLY INSTRUCTION

PARTS LIST

ITEM	DESCRIPTION	DRAWING	QTY
16	FOOTBOARD LEG		4 PCS
17	DRAWER SUPPORT LEG		1 PCS
18	SUPPORT LEG		6 PCS
19	SLAT (8PCS)		8 PCS
20	CENTER RAIL		2 PCS

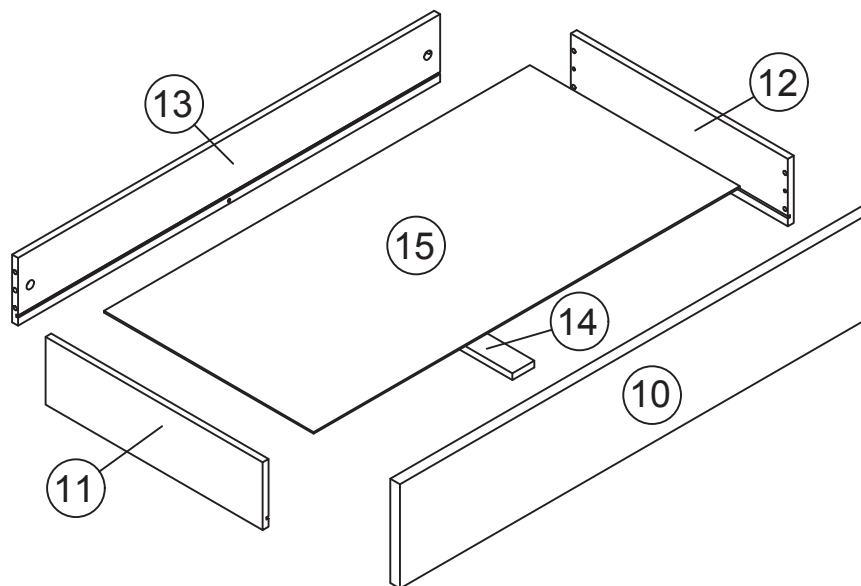
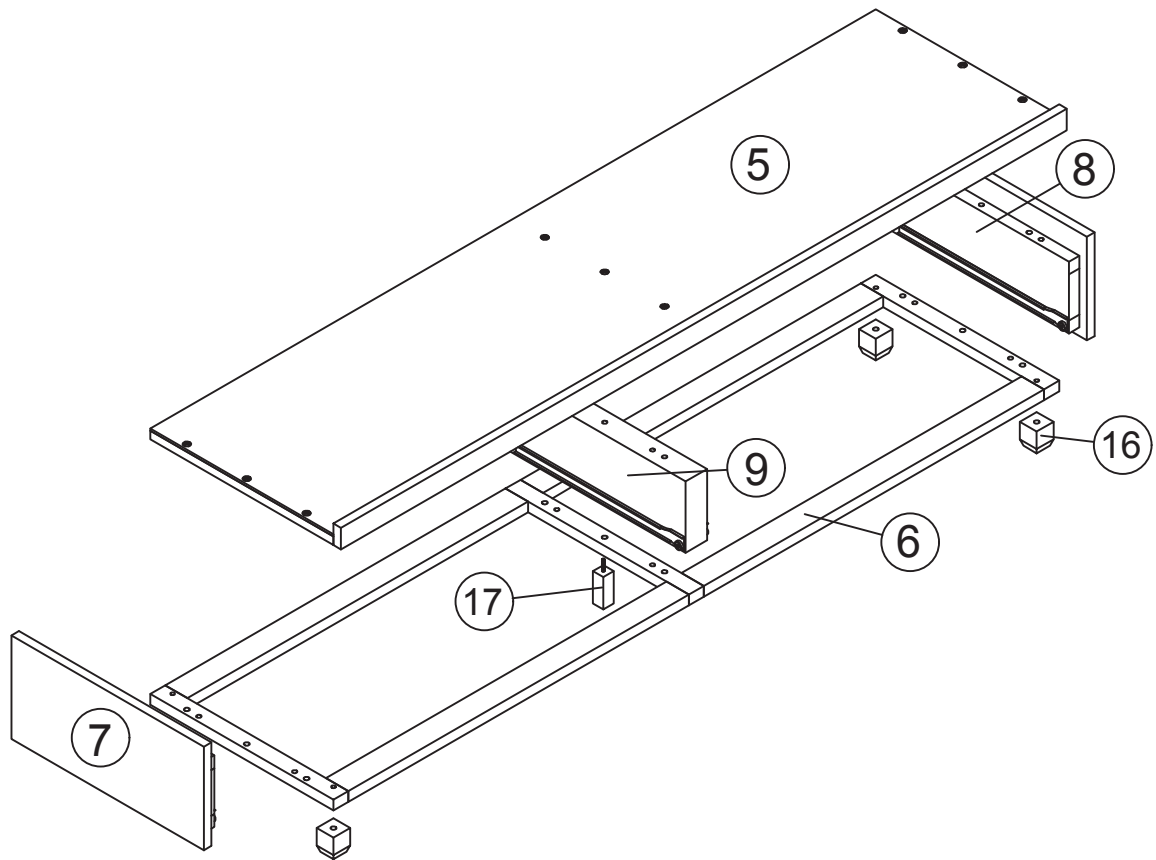
ASSEMBLY INSTRUCTION

PARTS ' LOCATION



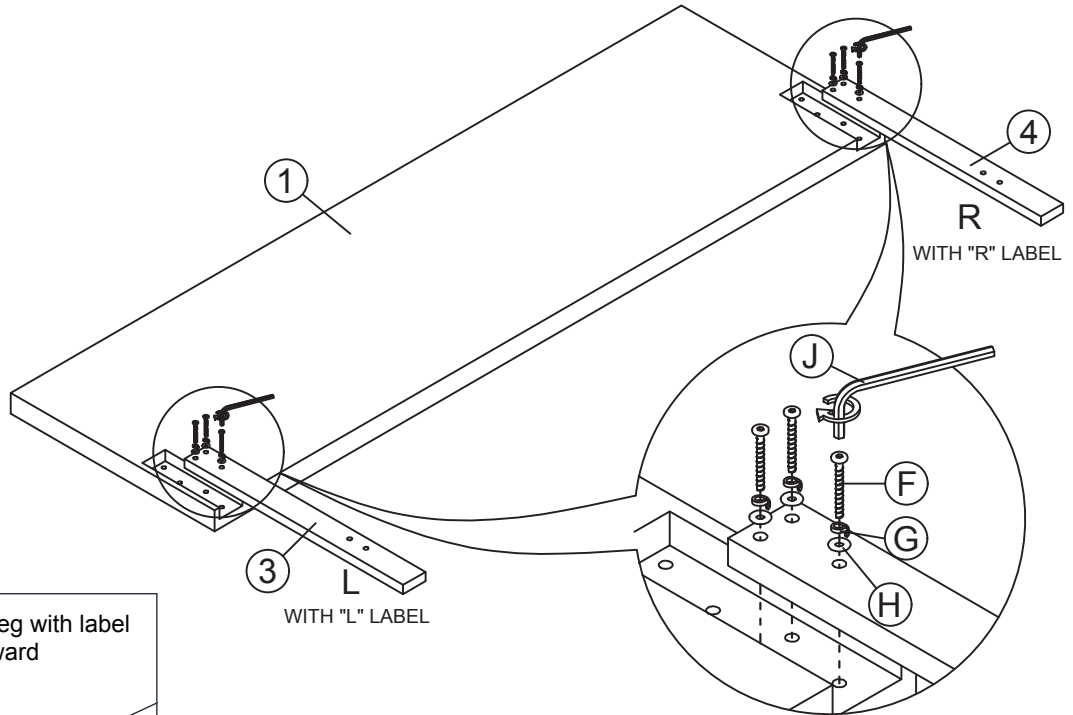
ASSEMBLY INSTRUCTION

PARTS ' LOCATION

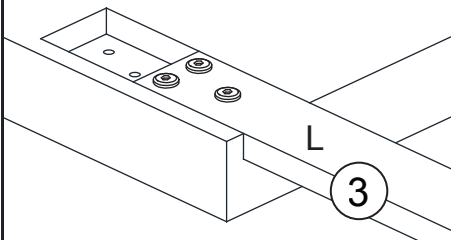


ASSEMBLY INSTRUCTION

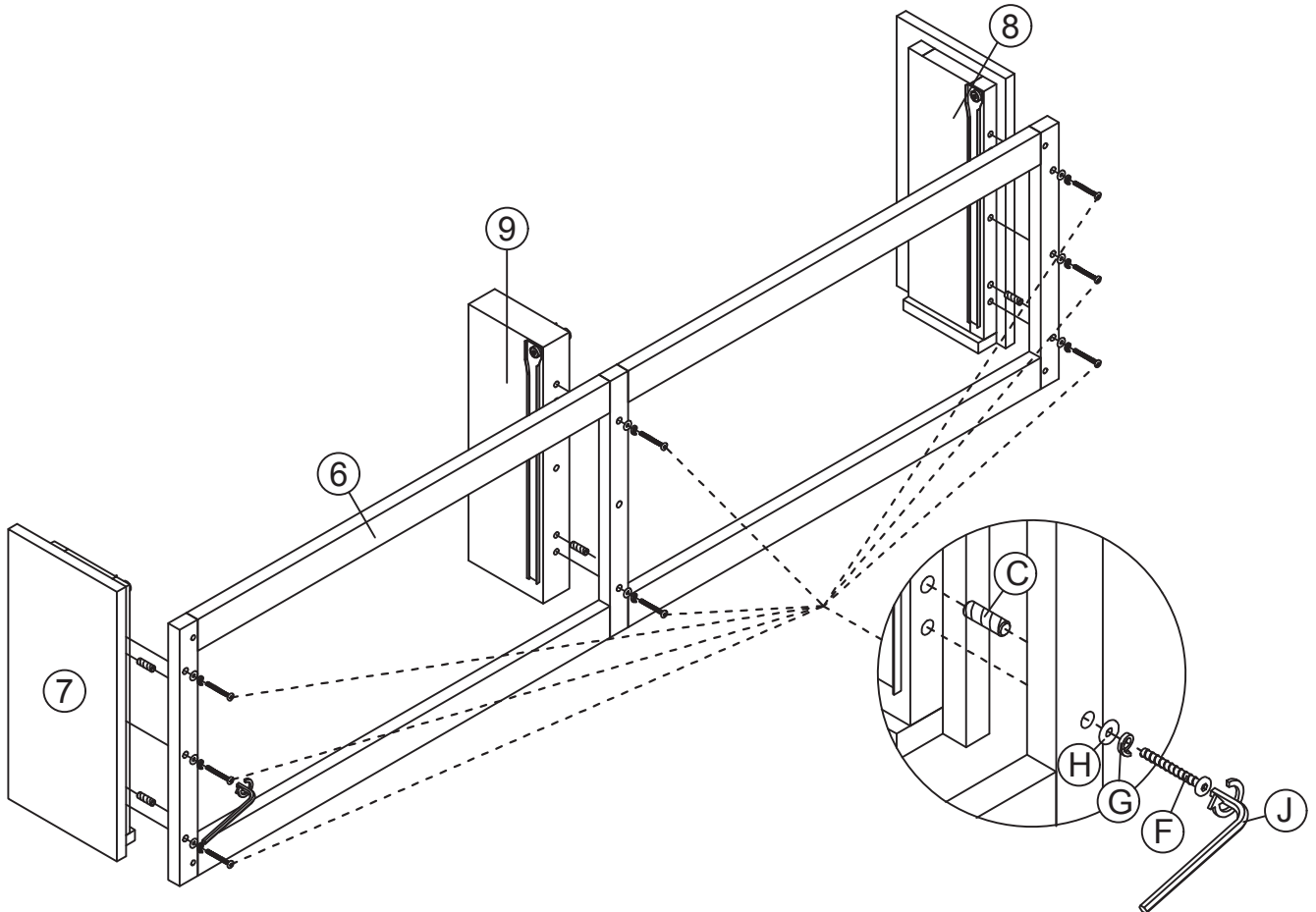
STEP 1



REMARK : Headboard leg with label facing backward

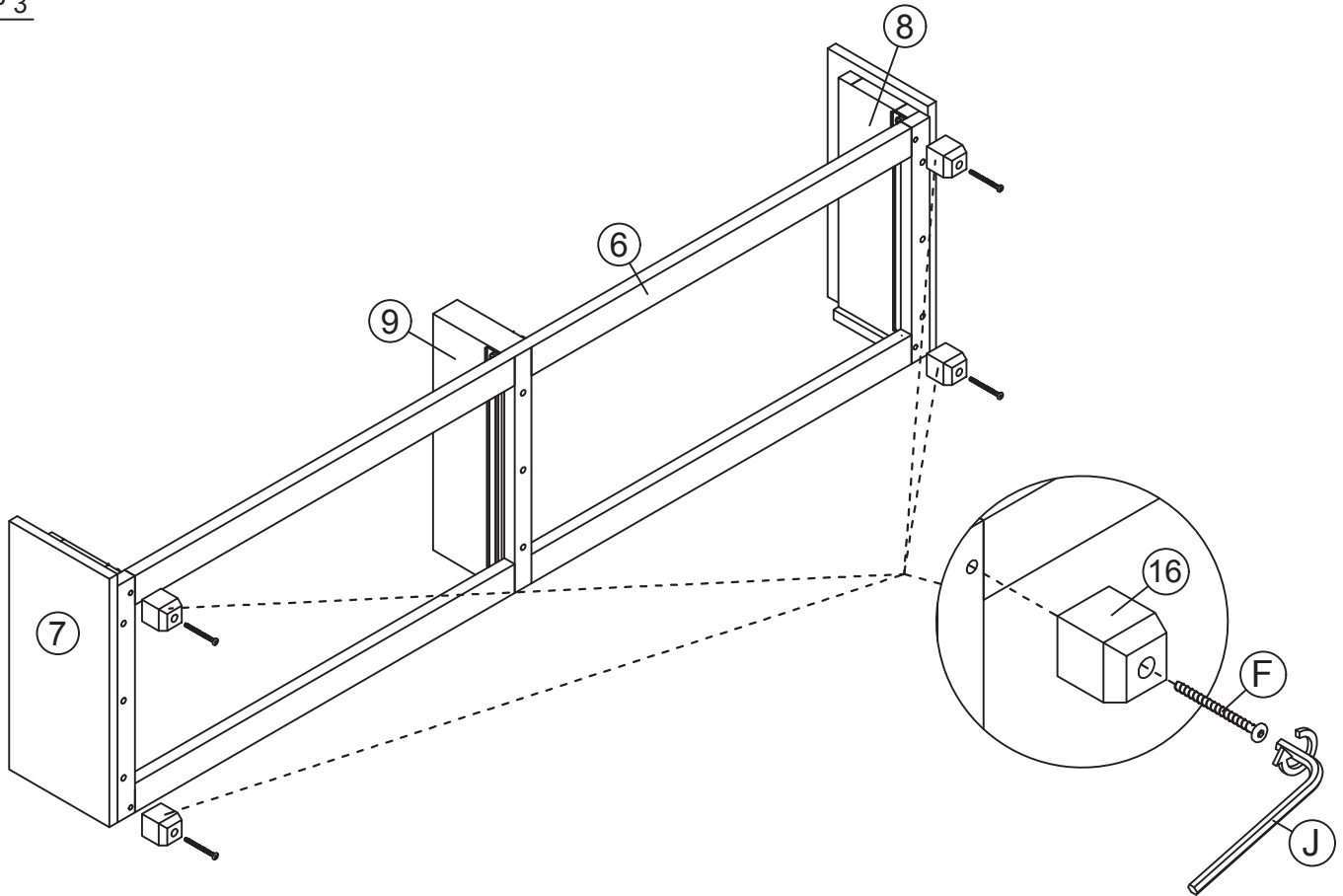


STEP 2

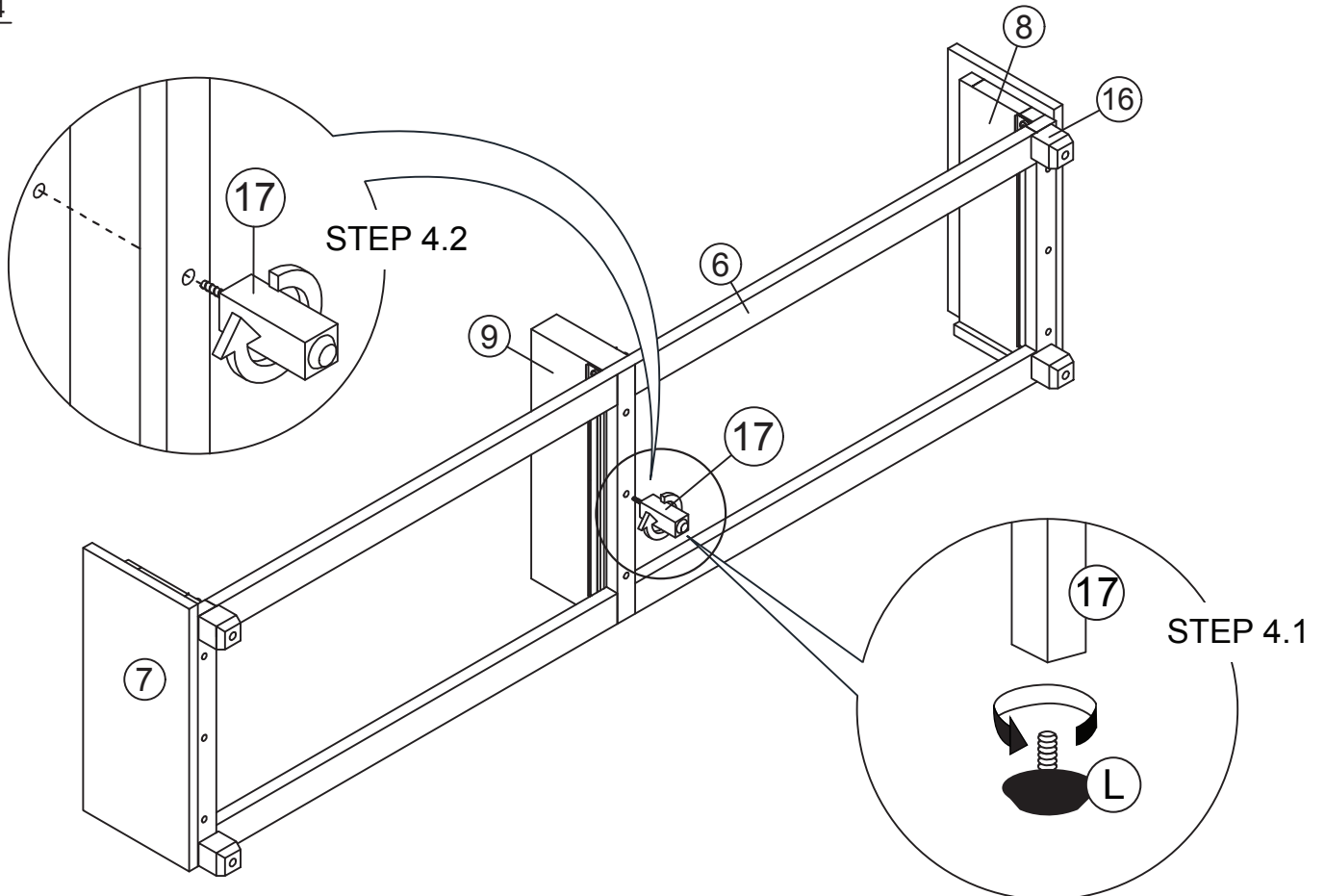


ASSEMBLY INSTRUCTION

STEP 3

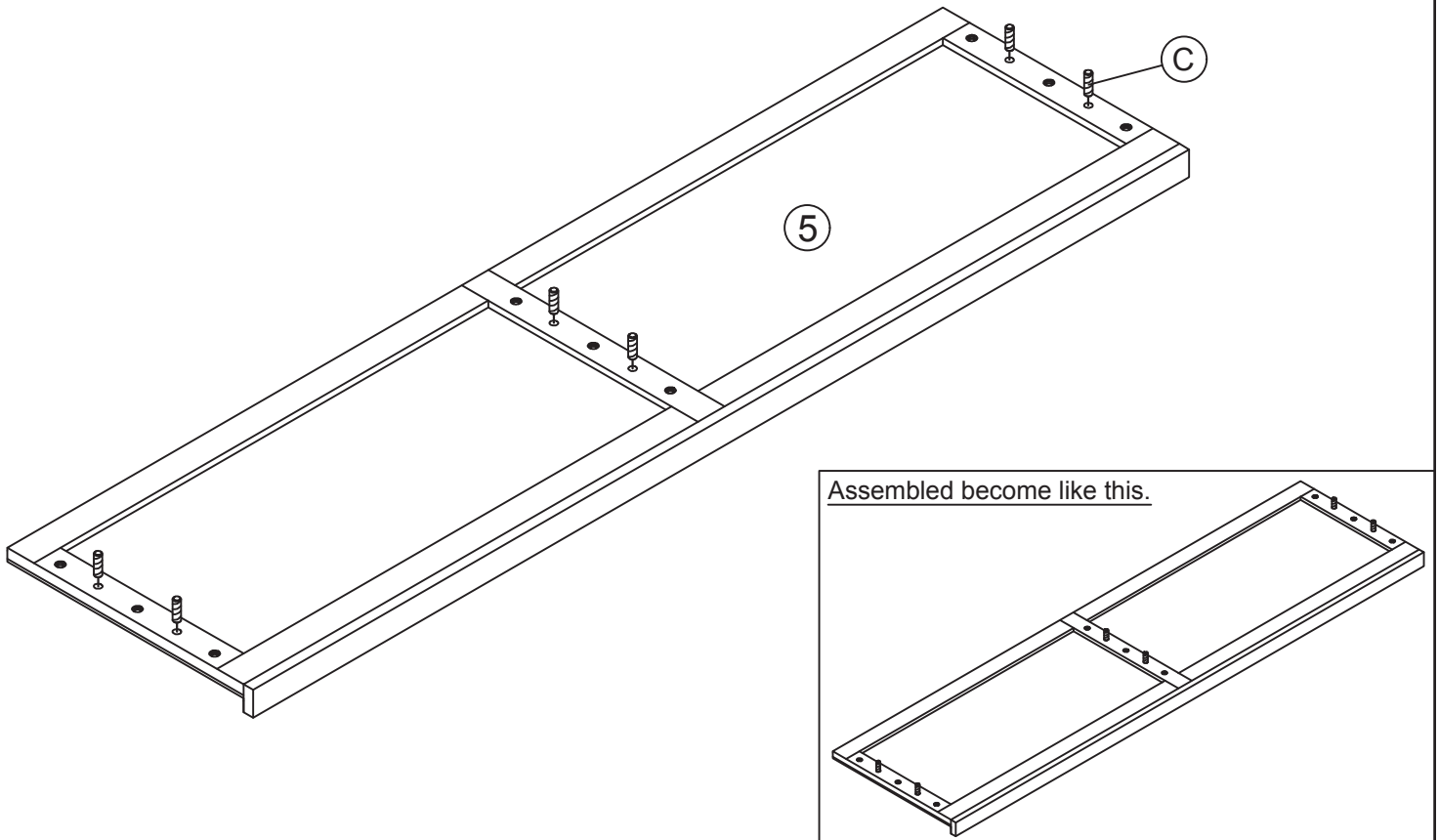


STEP 4

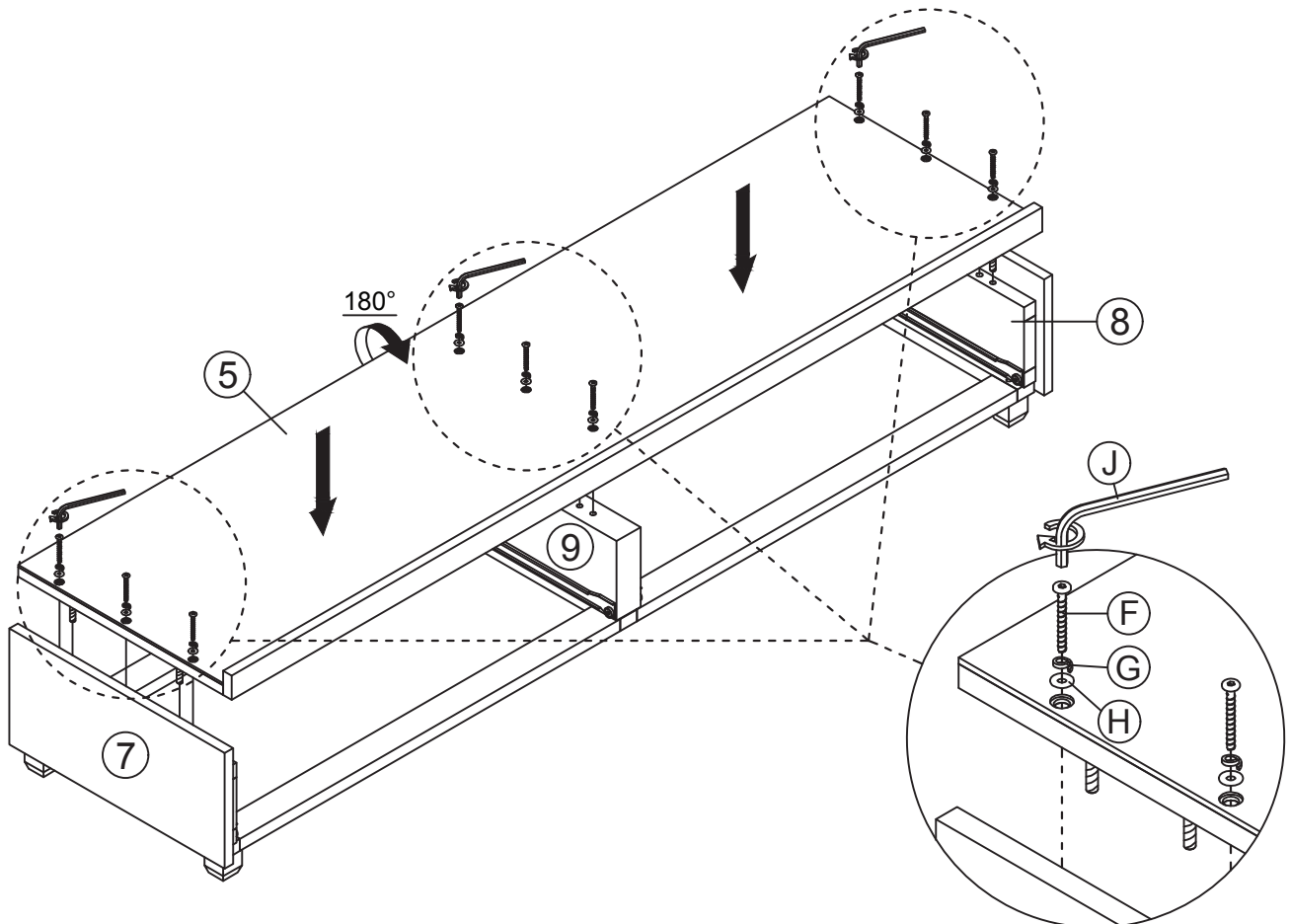


ASSEMBLY INSTRUCTION

STEP 5



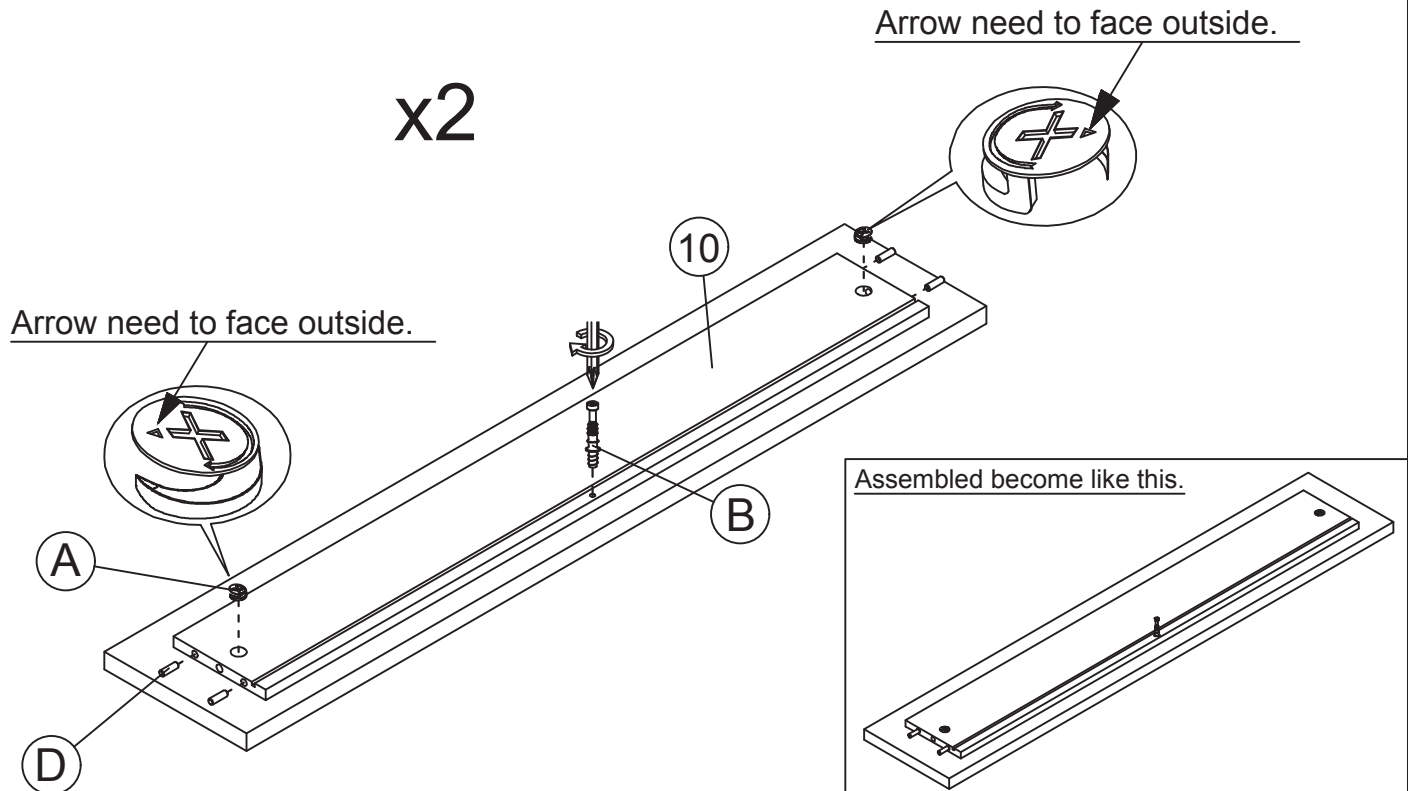
STEP 6



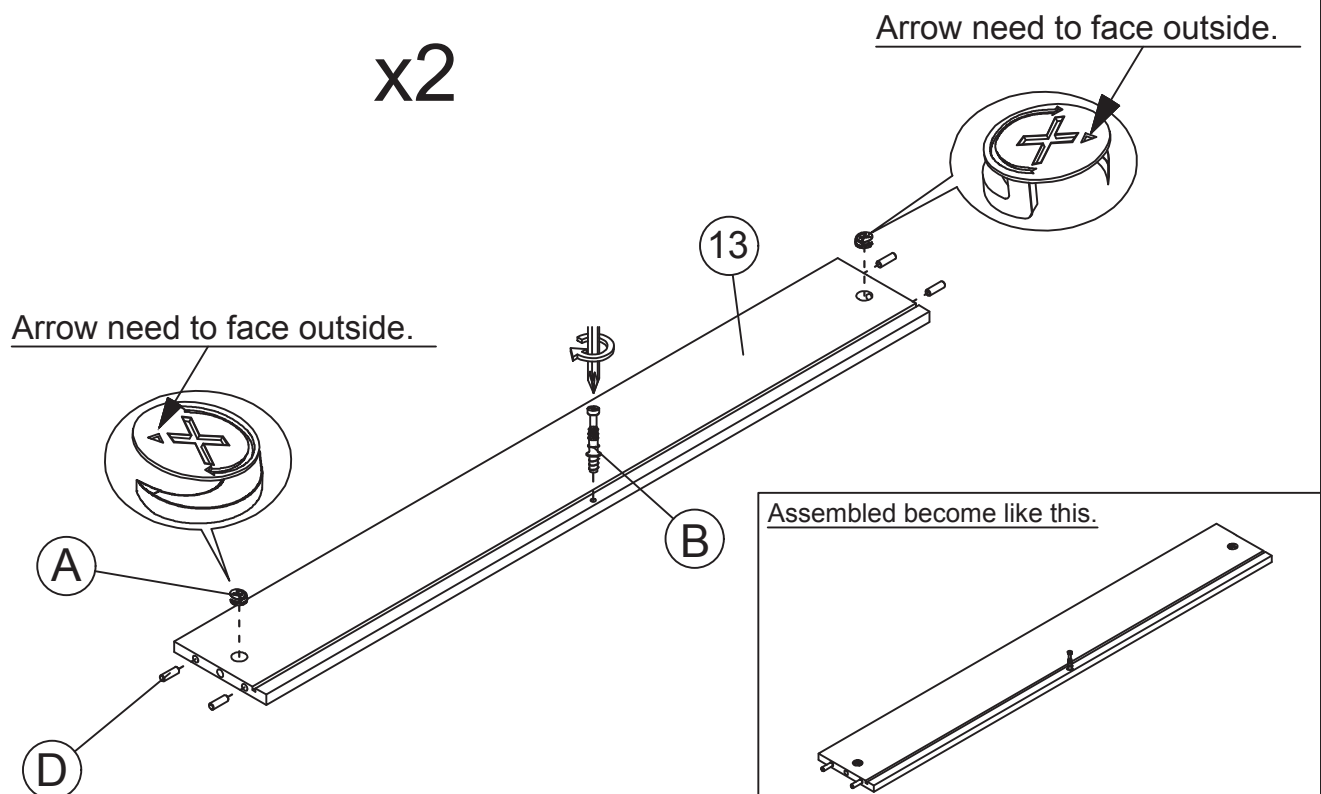
ASSEMBLY INSTRUCTION

ASSEMBLY STEPS

STEP 7

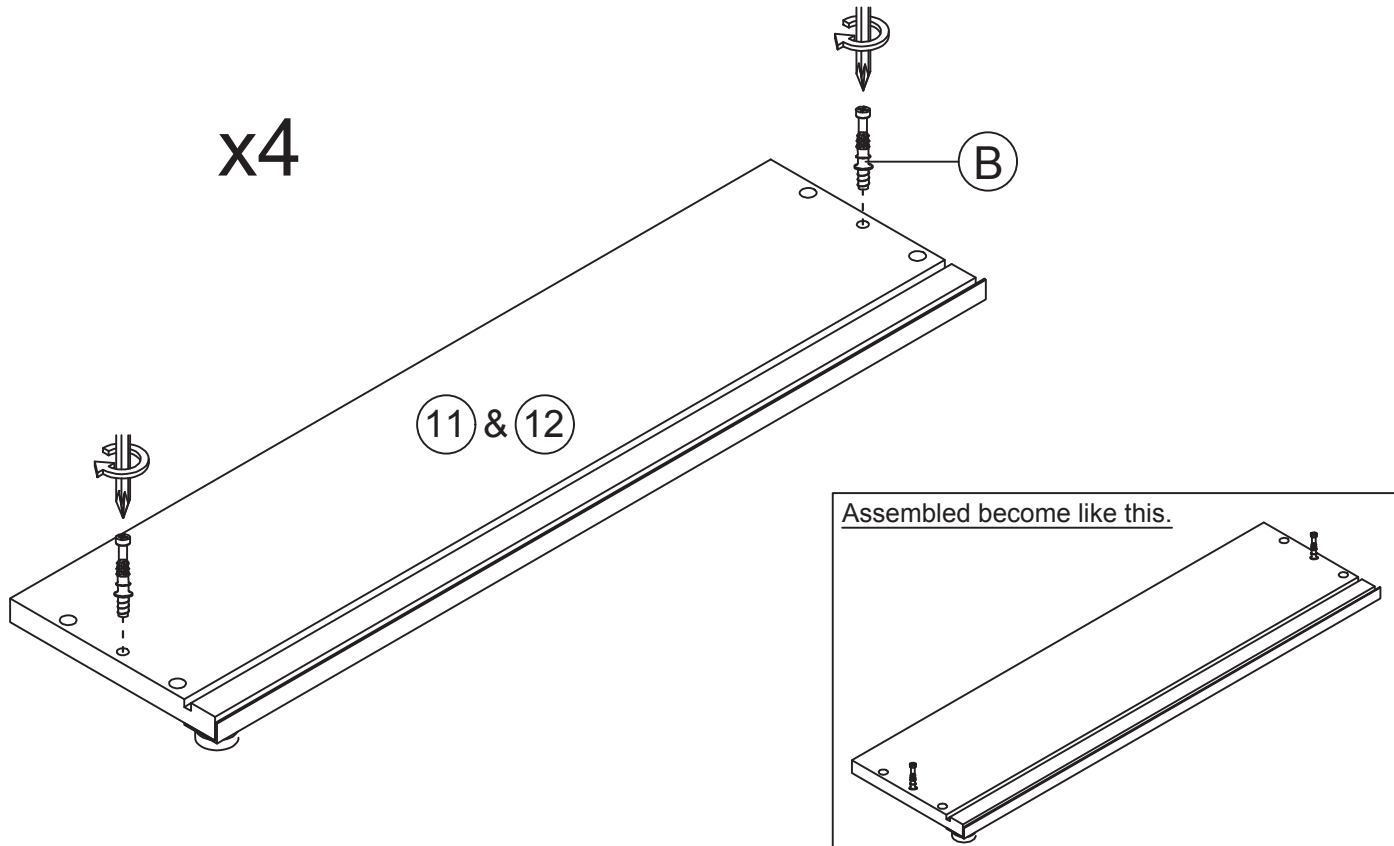


STEP 8

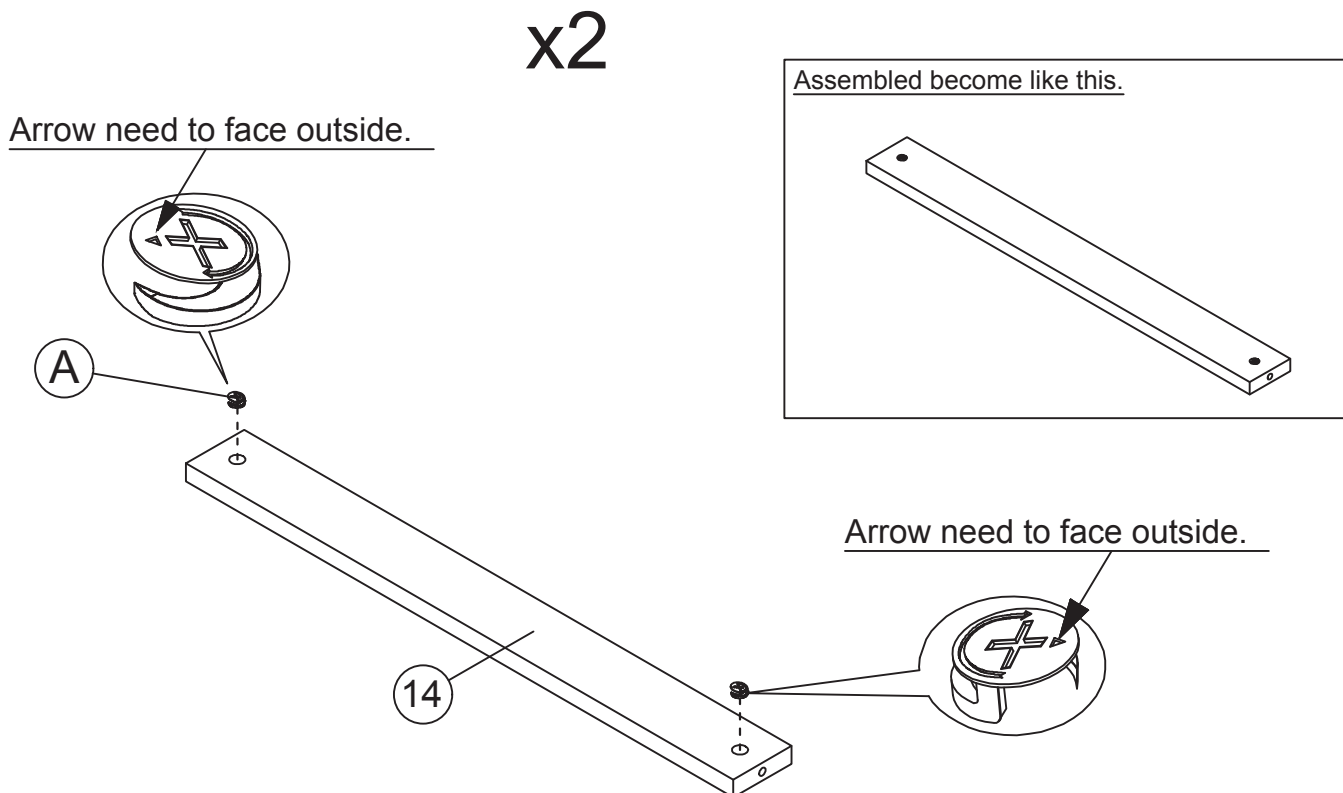


ASSEMBLY INSTRUCTION

STEP 9

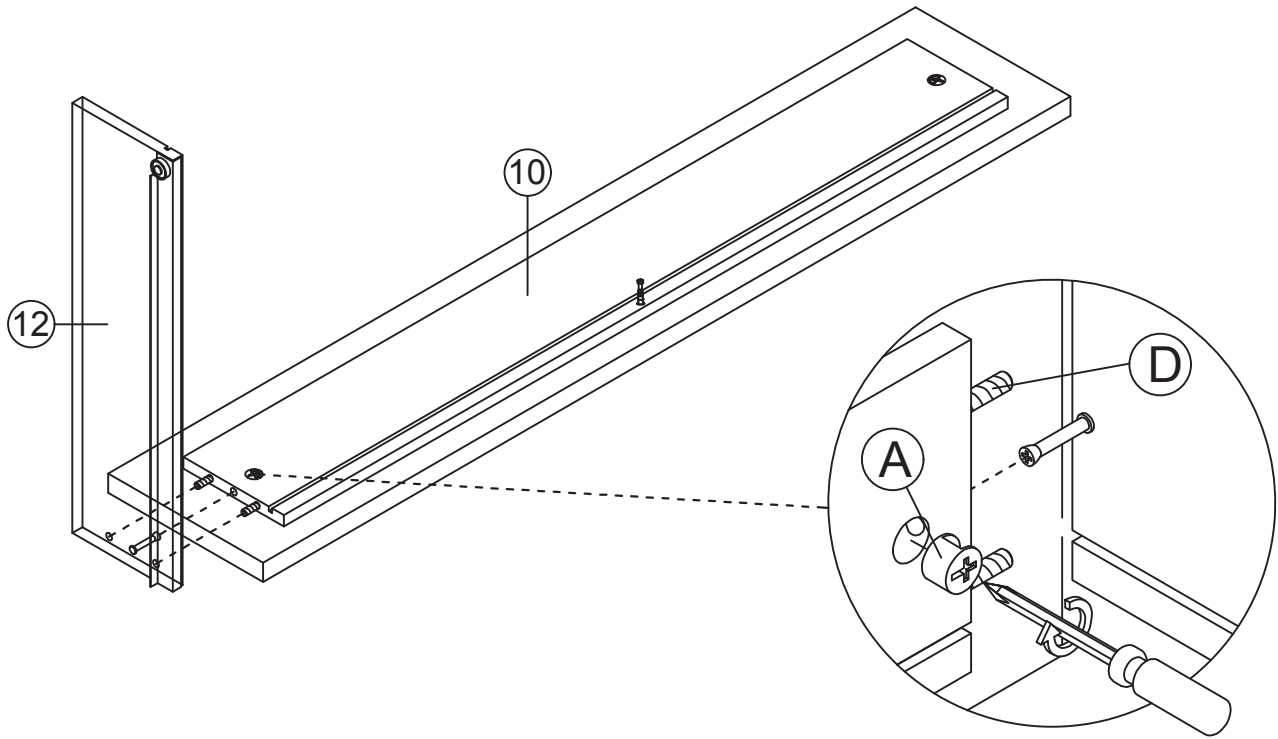


STEP 10

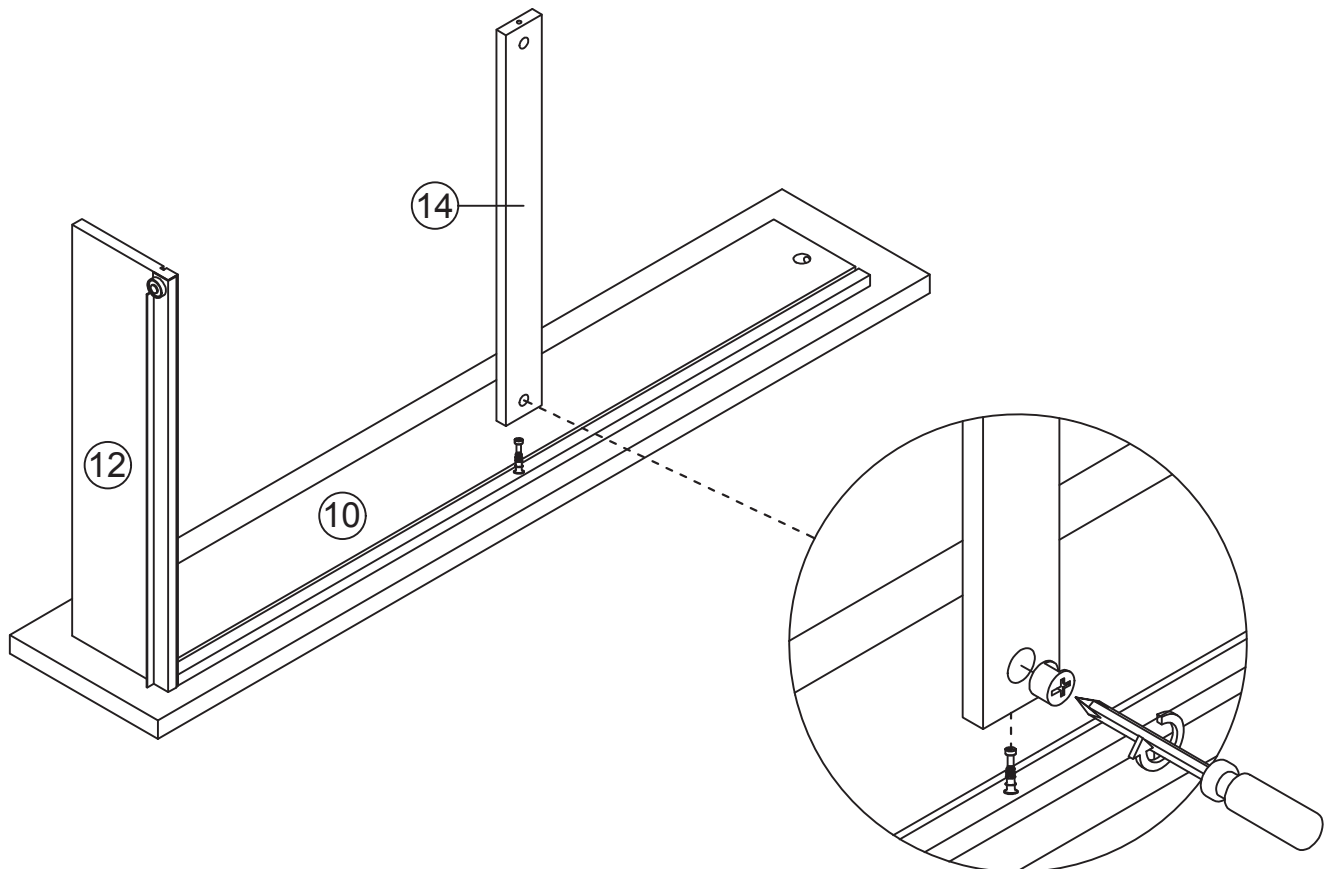


ASSEMBLY INSTRUCTION

STEP 11

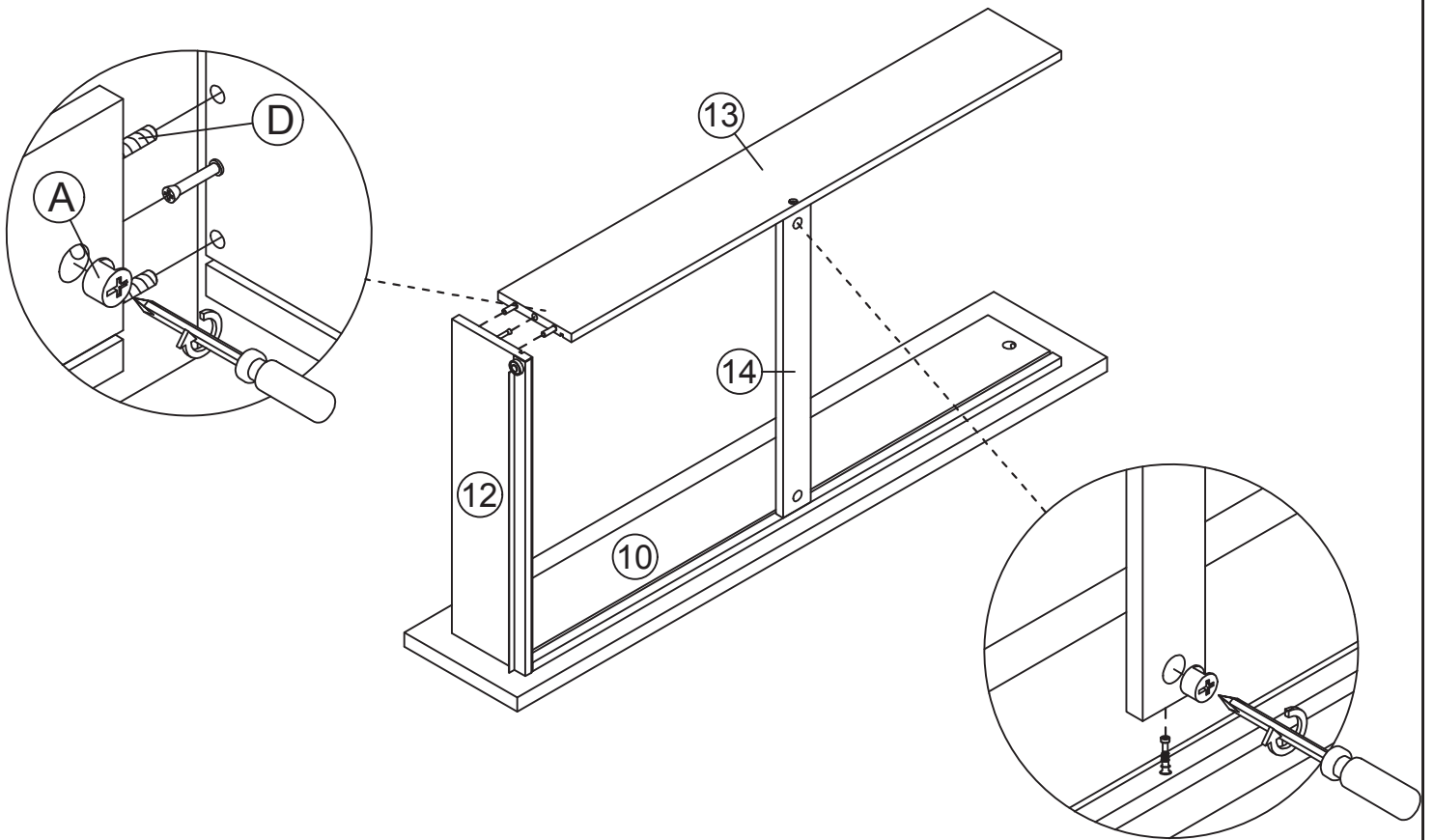


STEP 12

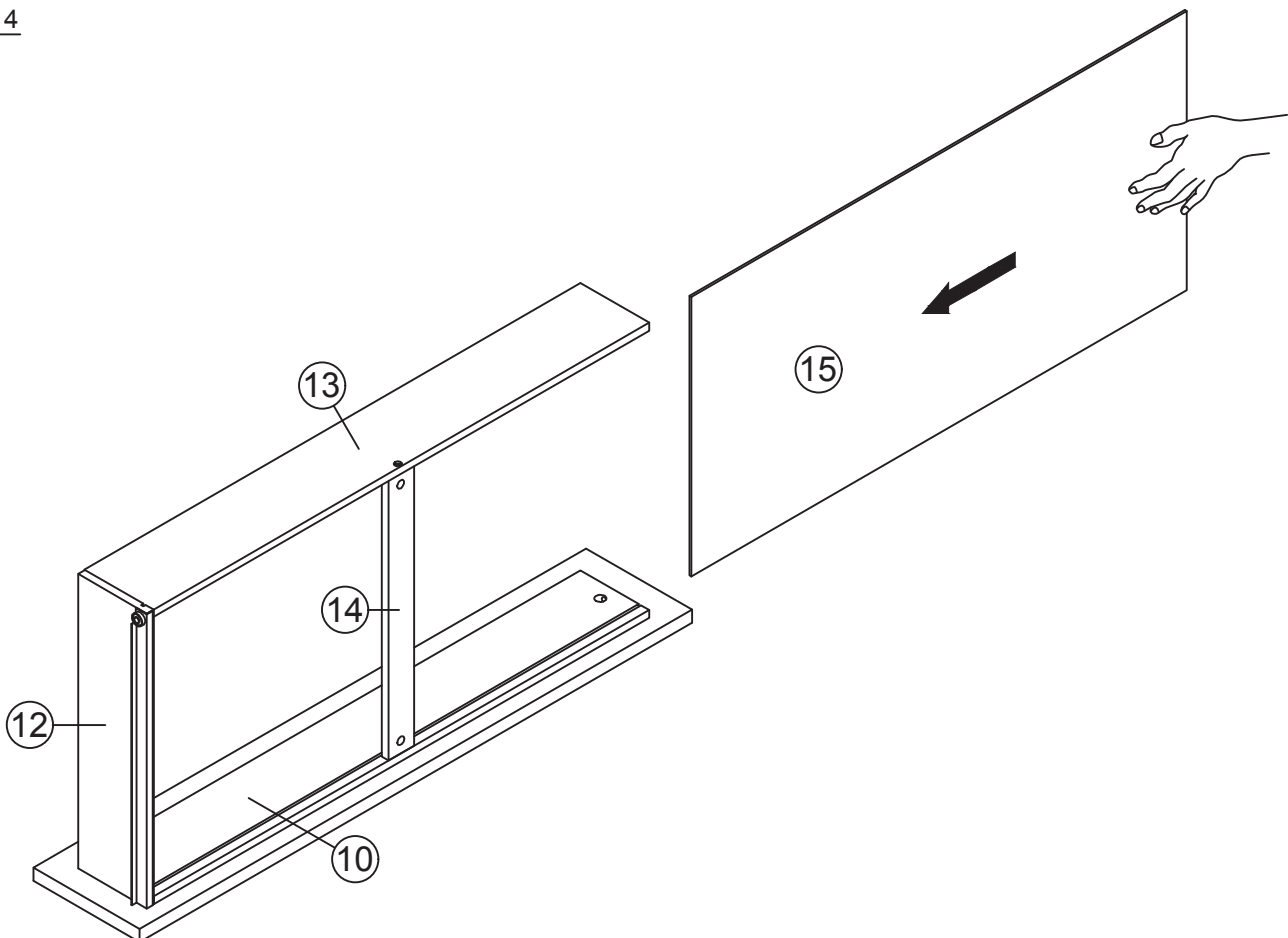


ASSEMBLY INSTRUCTION

STEP 13

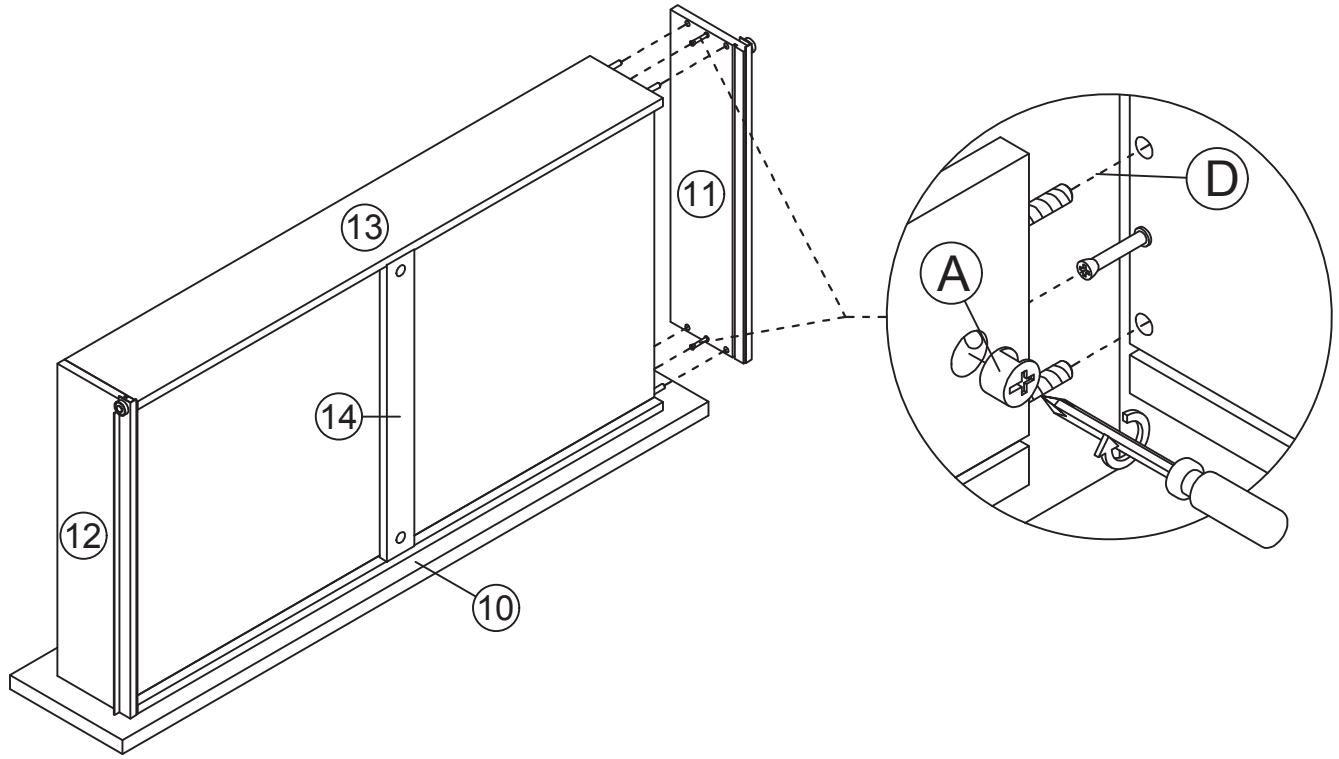


STEP 14

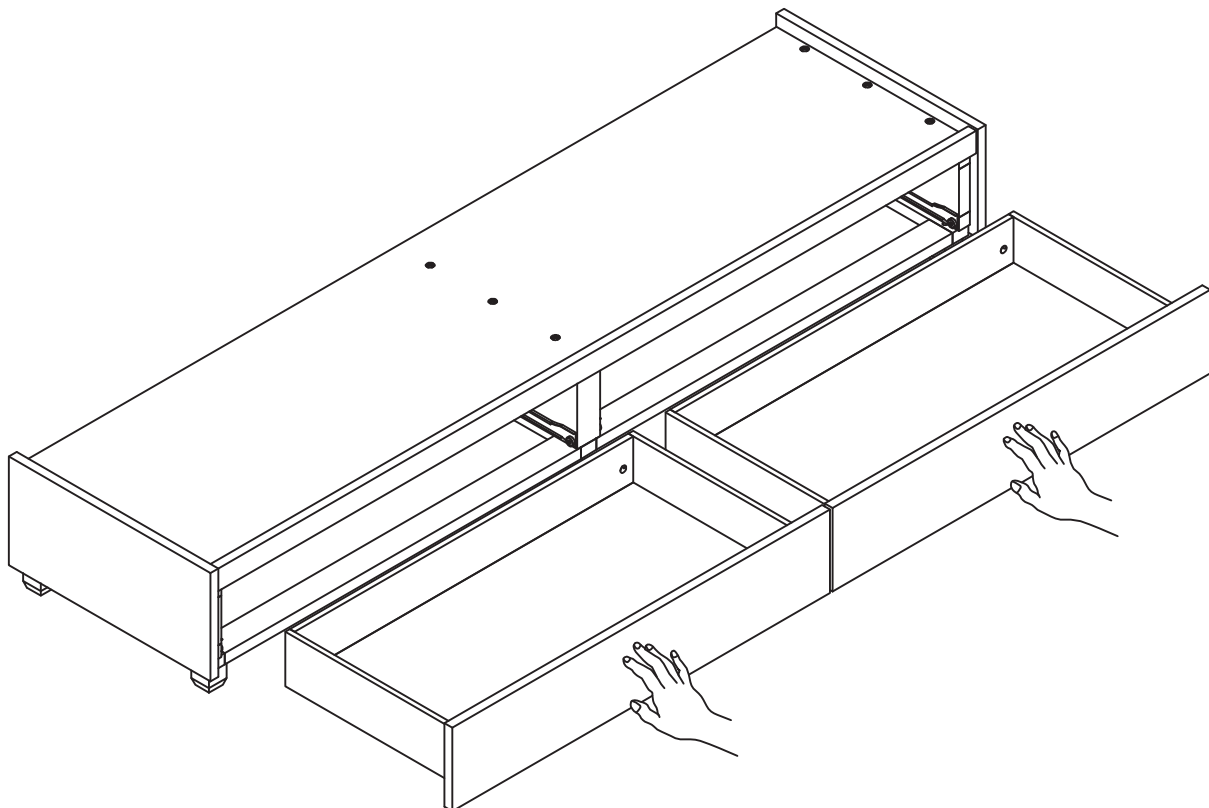


ASSEMBLY INSTRUCTION

STEP 15

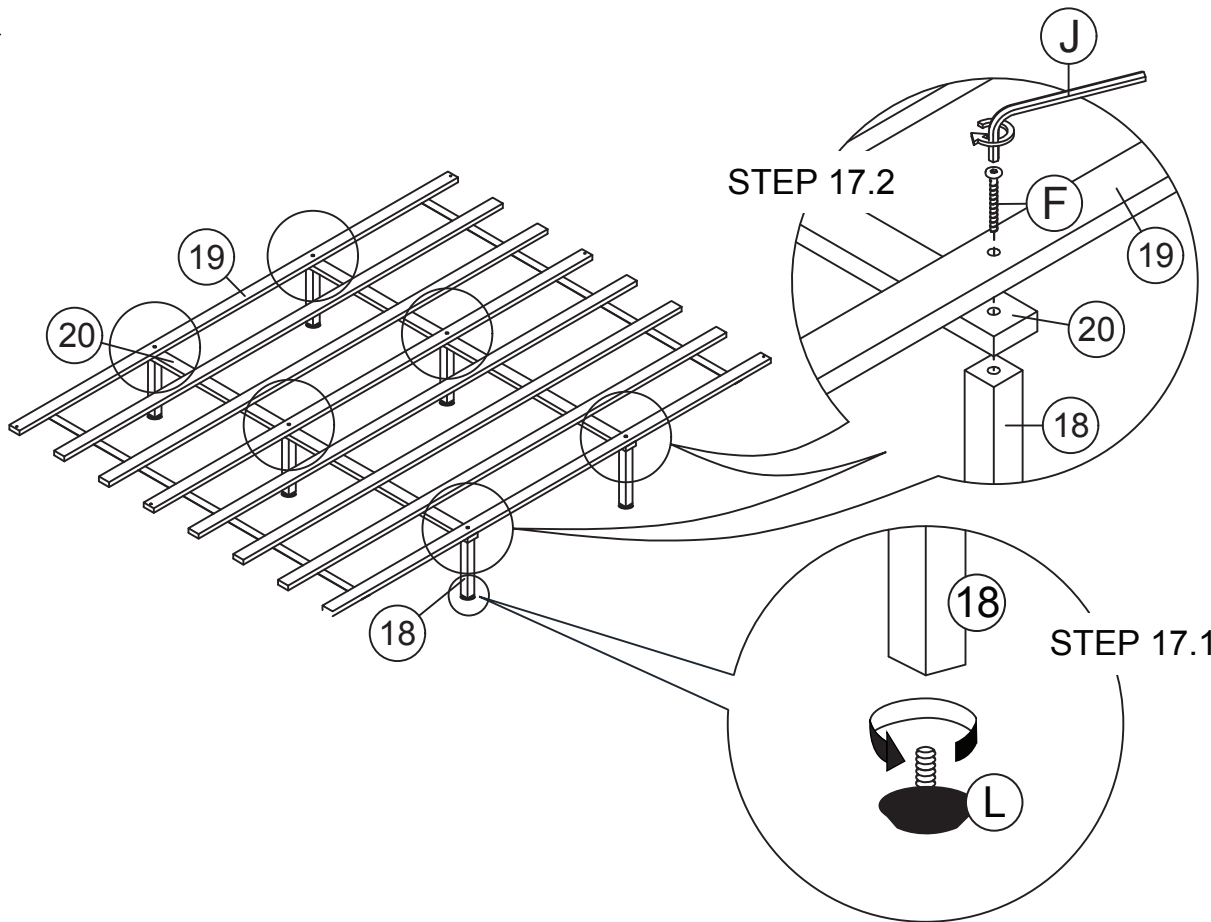


STEP 16

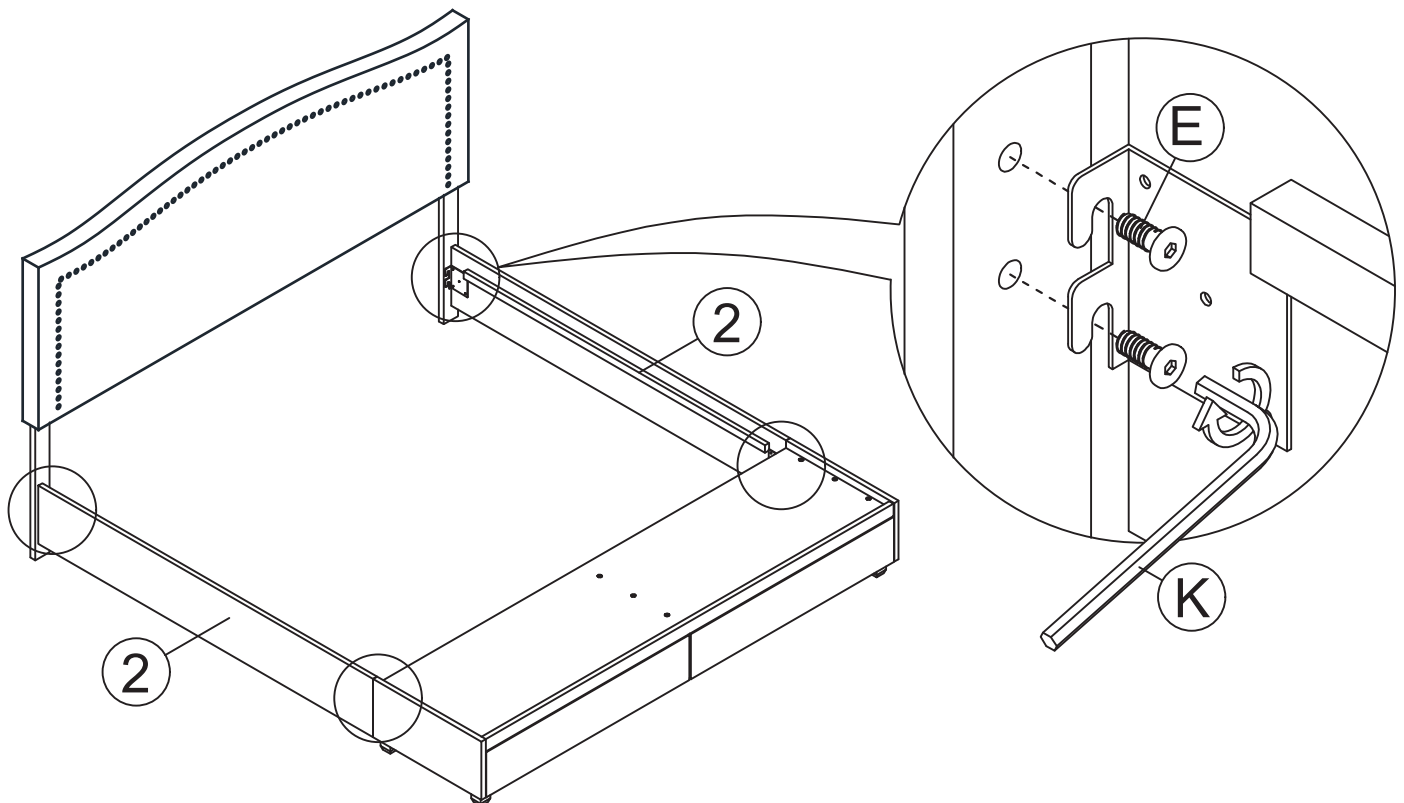


ASSEMBLY INSTRUCTION

STEP 17

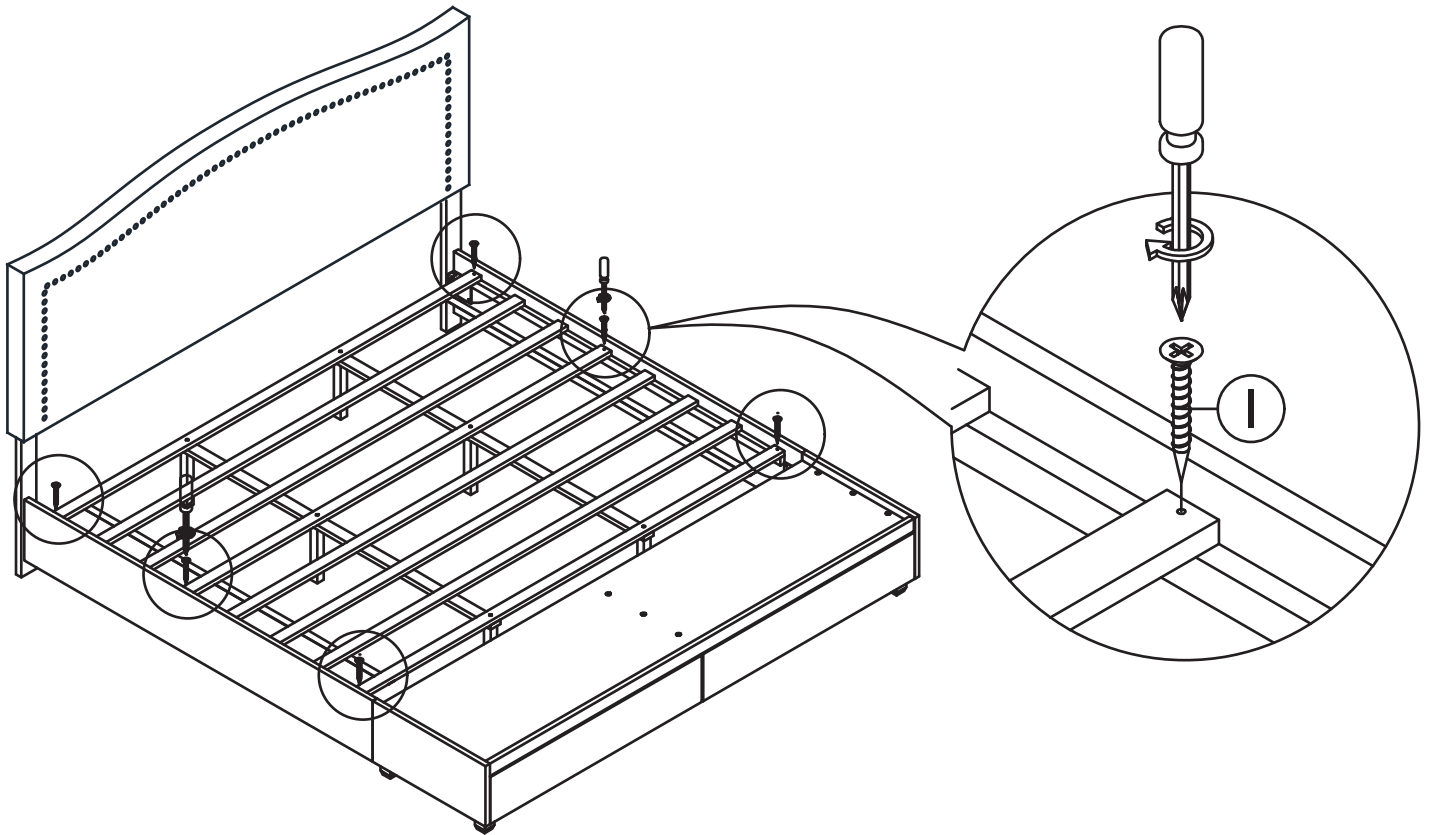


STEP 18

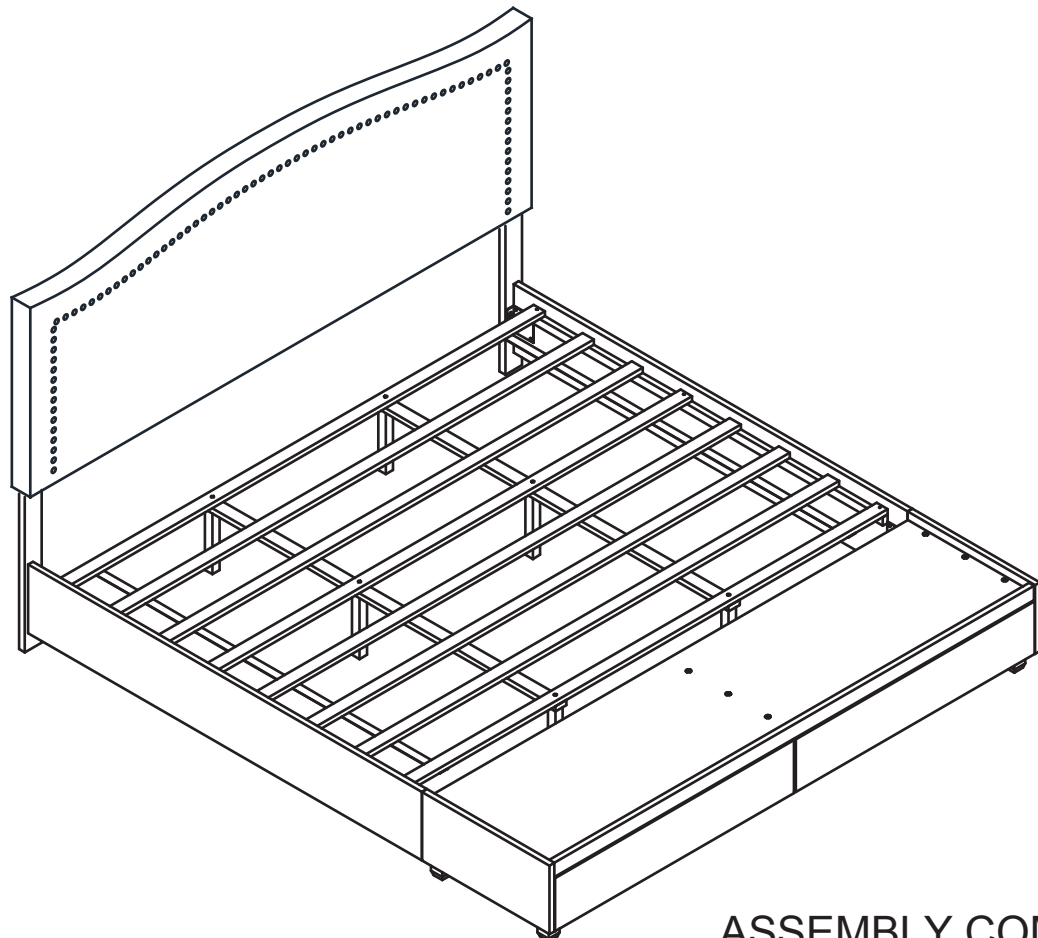


ASSEMBLY INSTRUCTION

STEP 19



STEP 20



ASSEMBLY COMPLETED