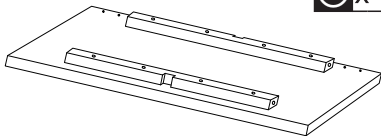
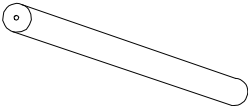
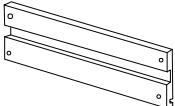
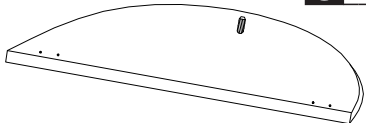
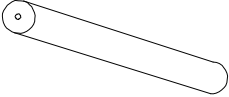
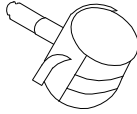
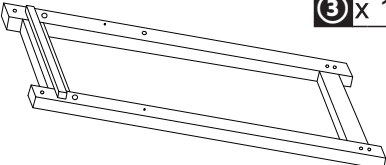
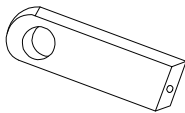
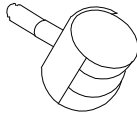
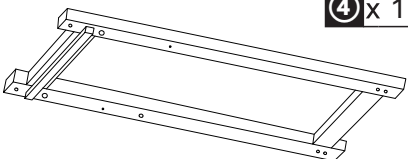
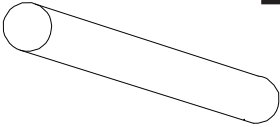
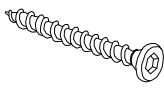
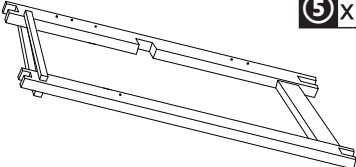
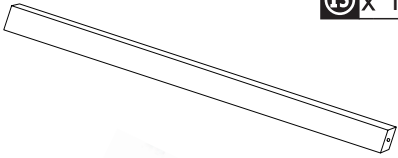

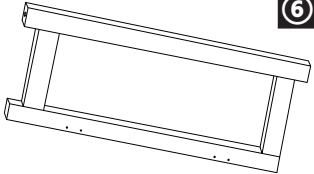
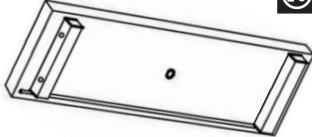
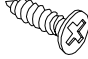
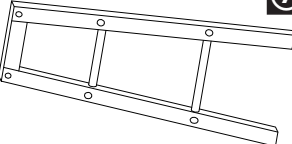
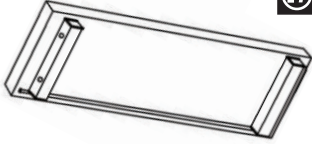
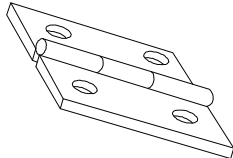
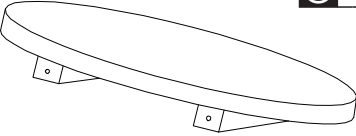
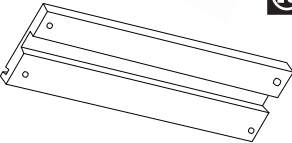
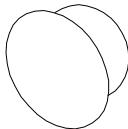
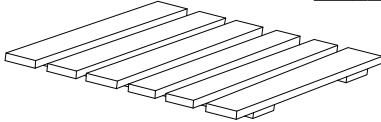
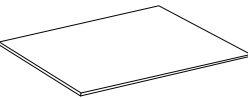
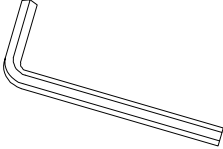
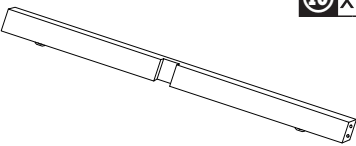
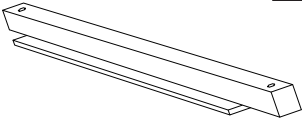
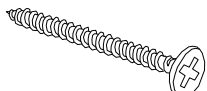
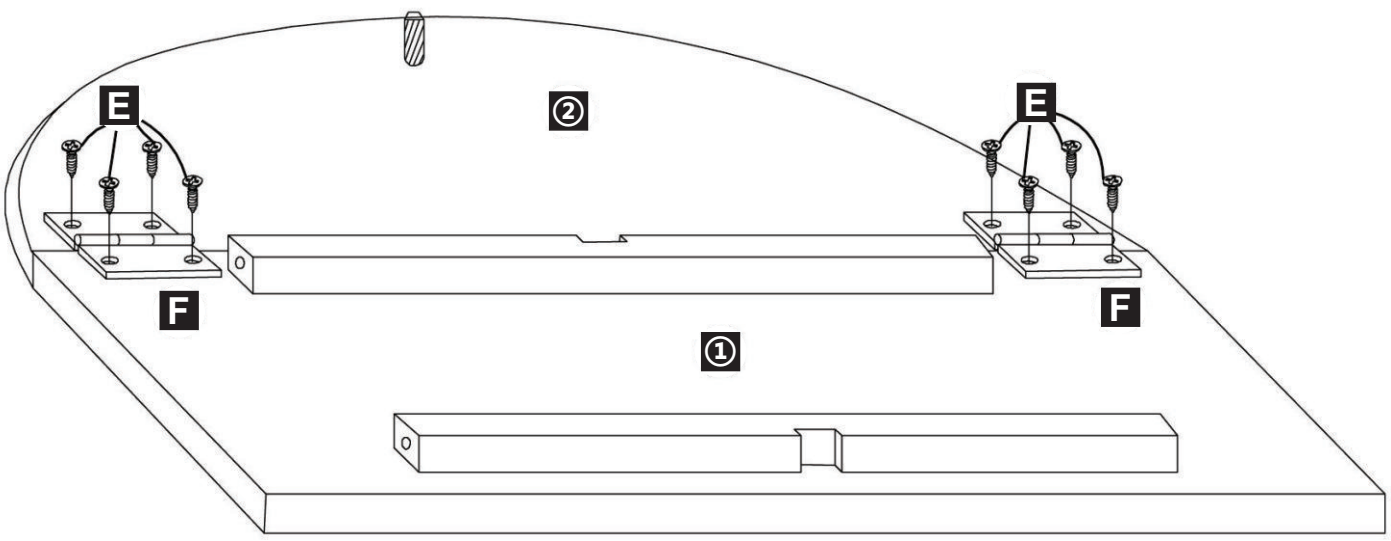
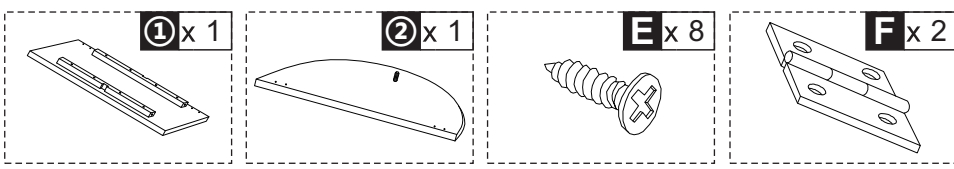
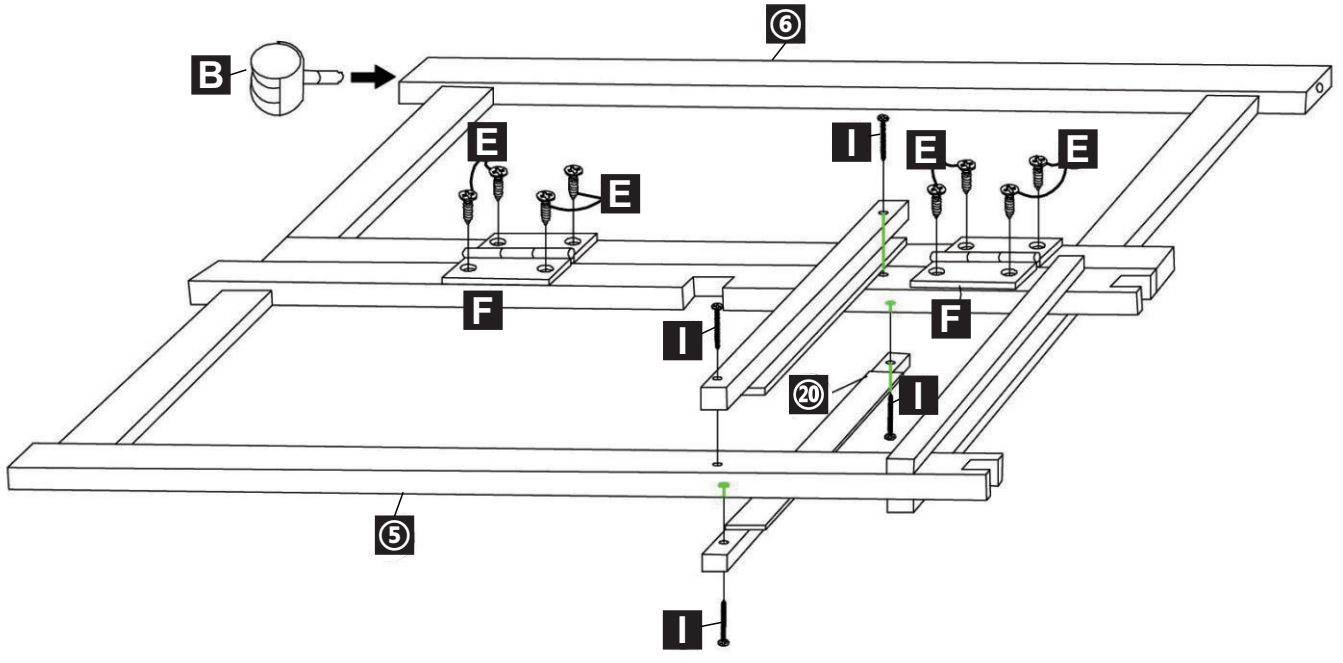
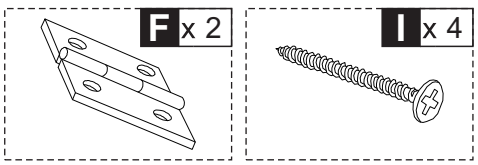
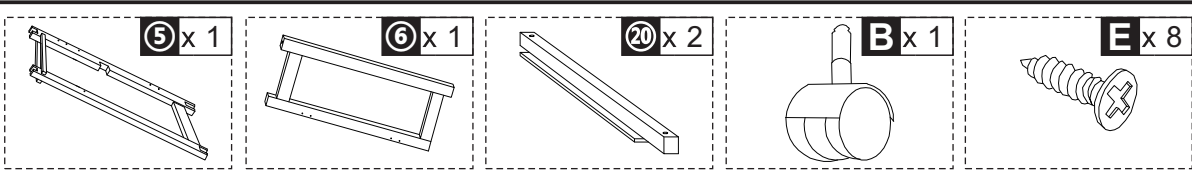
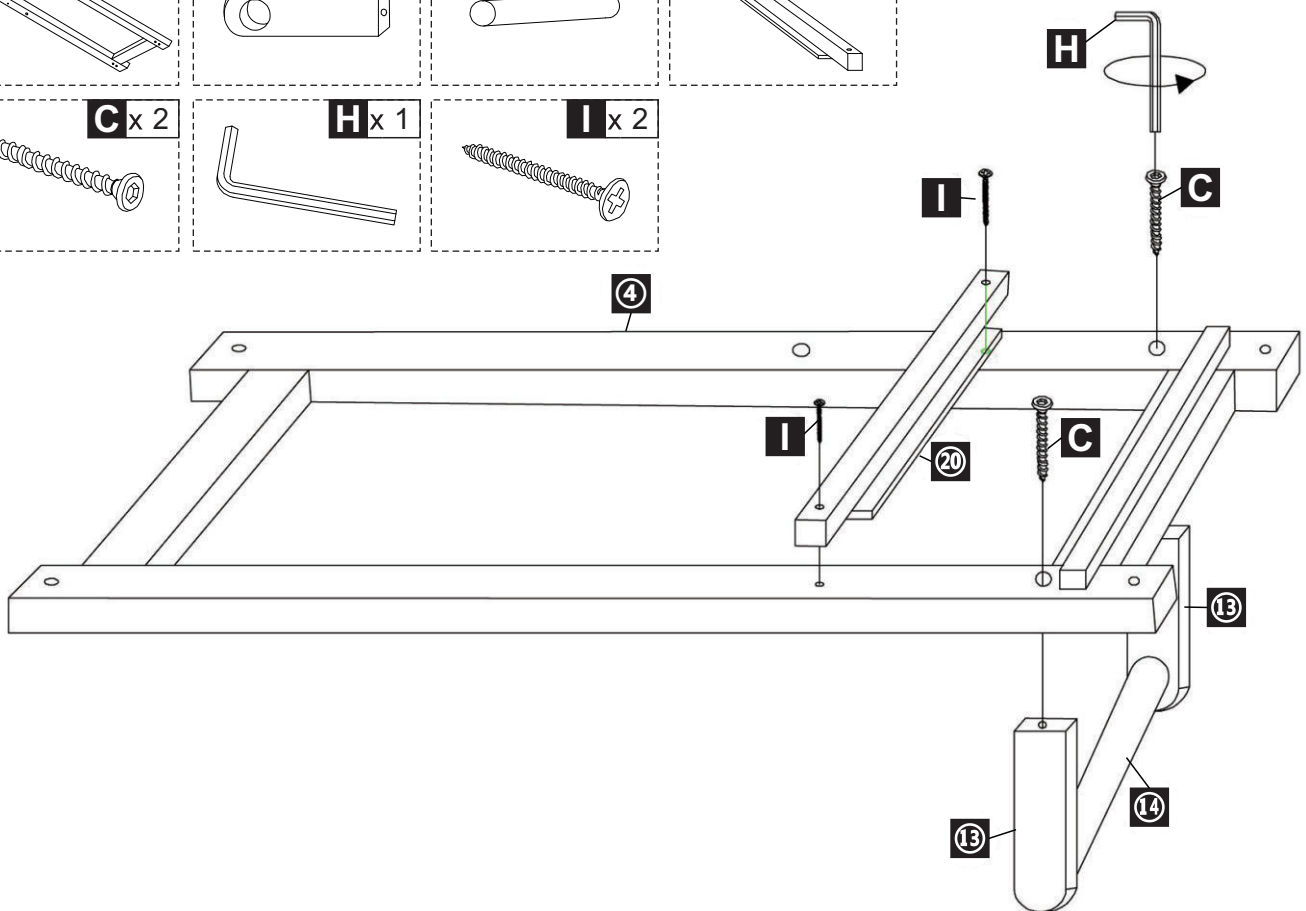
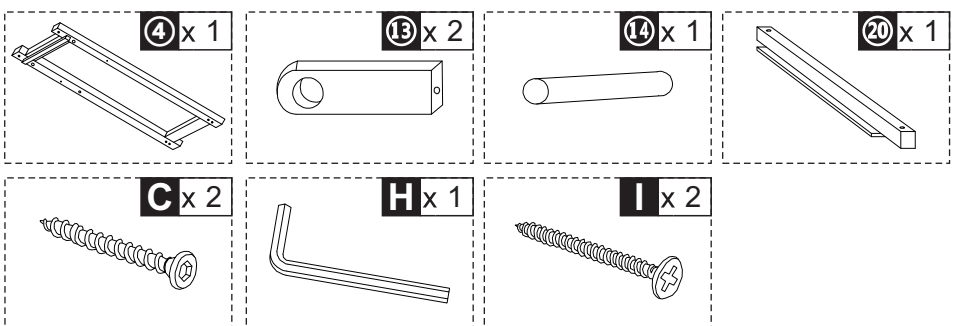
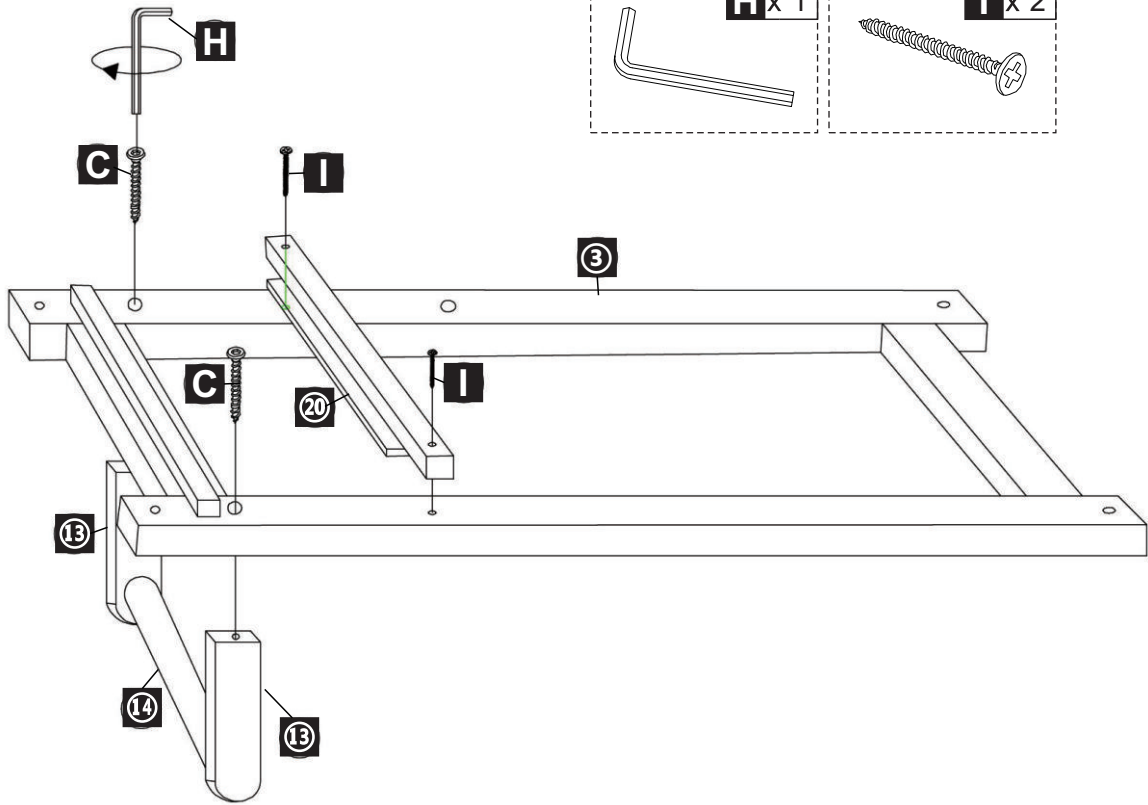
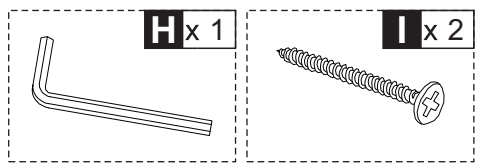
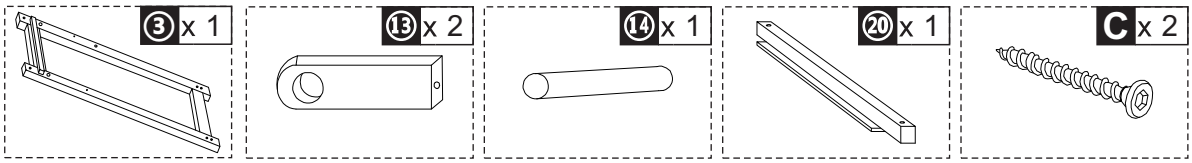


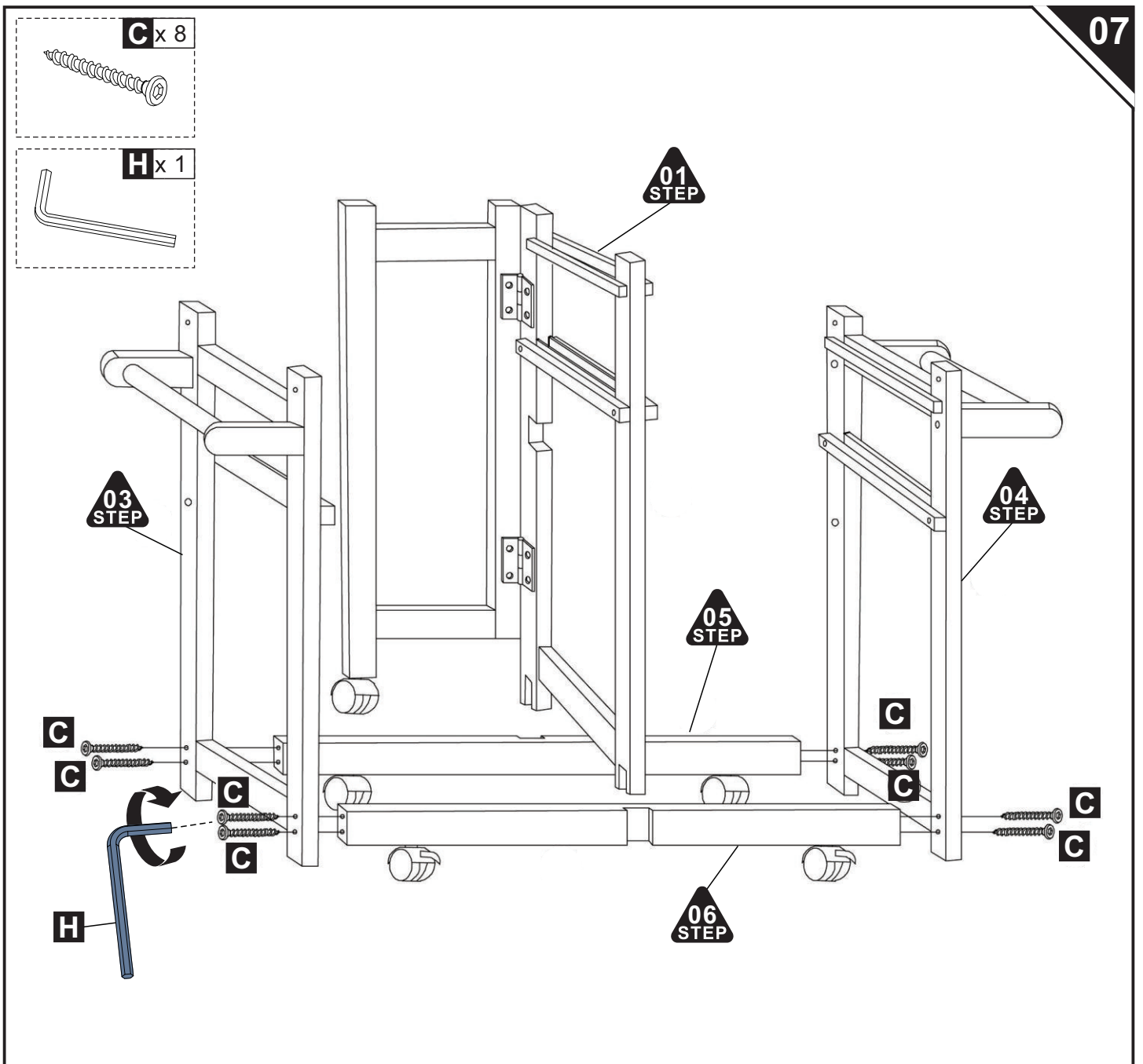
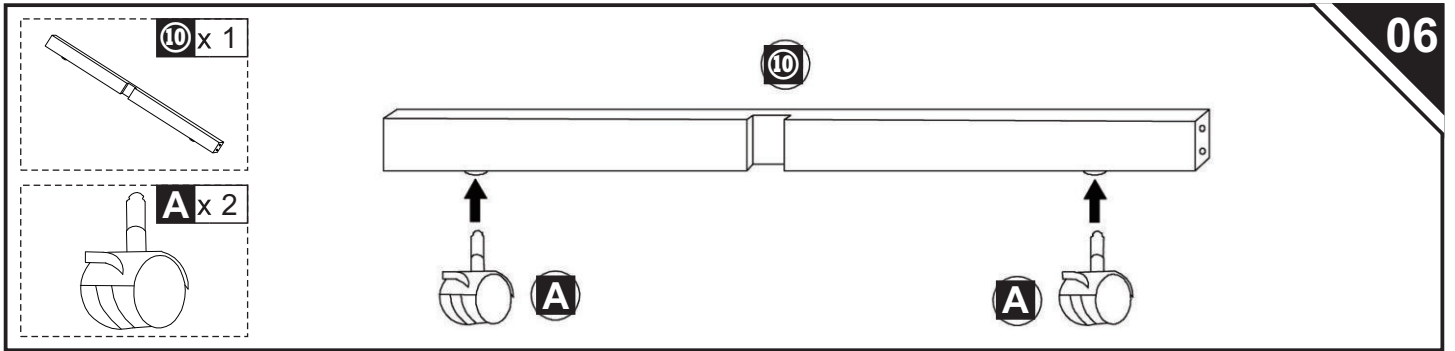
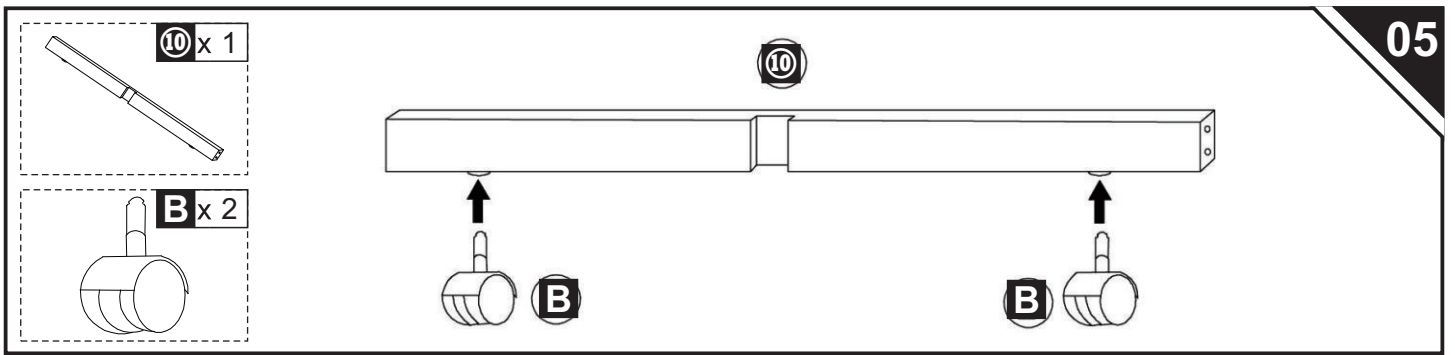
ASSEMBLY INSTRUCTION

 <b>1</b> x 1	 <b>11</b> x 4	 <b>21</b> x 2
 <b>2</b> x 1	 <b>12</b> x 4	 <b>A</b> x 2
 <b>3</b> x 1	 <b>13</b> x 4	 <b>B</b> x 3
 <b>4</b> x 1	 <b>14</b> x 2	 <b>C</b> x 42 M5x45
 <b>5</b> x 1	 <b>15</b> x 1	 <b>D</b> x 2 M3x25
 <b>6</b> x 1	 <b>16</b> x 2	 <b>E</b> x 16 M3x14
 <b>7</b> x 4	 <b>17</b> x 2	 <b>F</b> x 4
 <b>8</b> x 2	 <b>18</b> x 2	 <b>G</b> x 2
 <b>9</b> x 2	 <b>19</b> x 2	 <b>H</b> x 1
 <b>10</b> x 2	 <b>20</b> x 4	 <b>I</b> x 24 M3x20







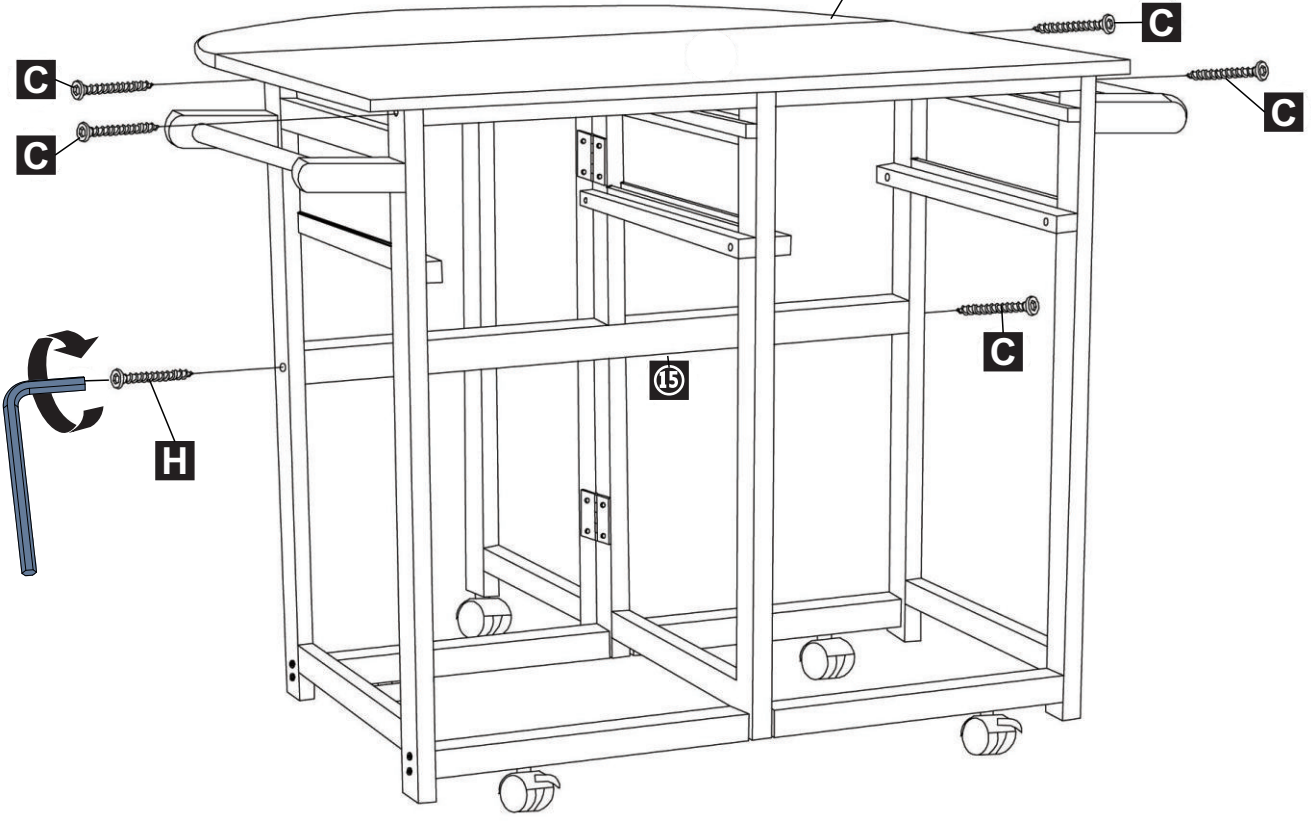
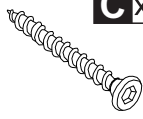
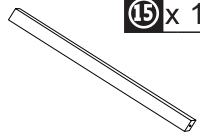


02 STEP

15 x 1

C x 6

H x 1



7 x 2

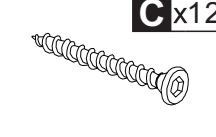
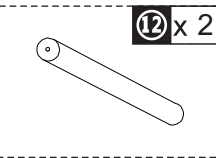
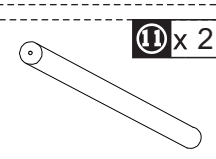
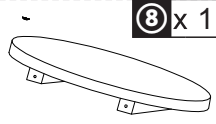
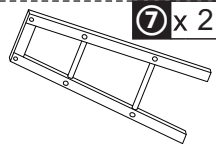
8 x 1

11 x 2

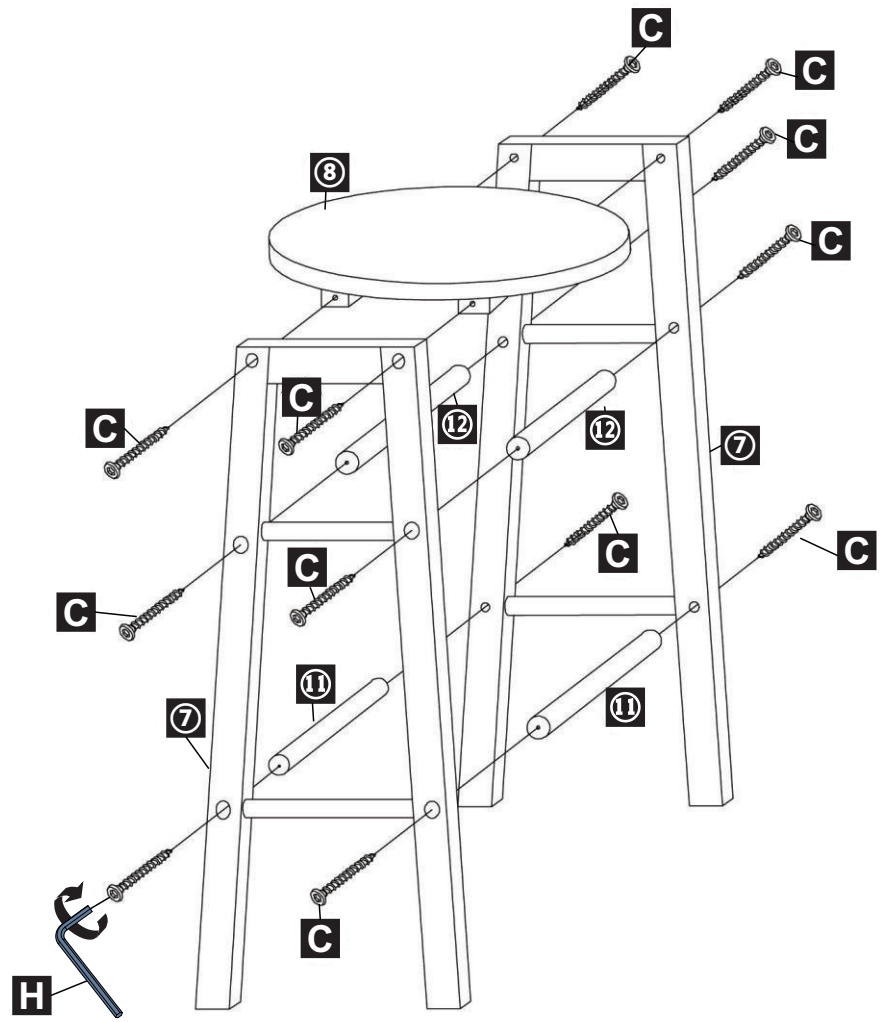
12 x 2

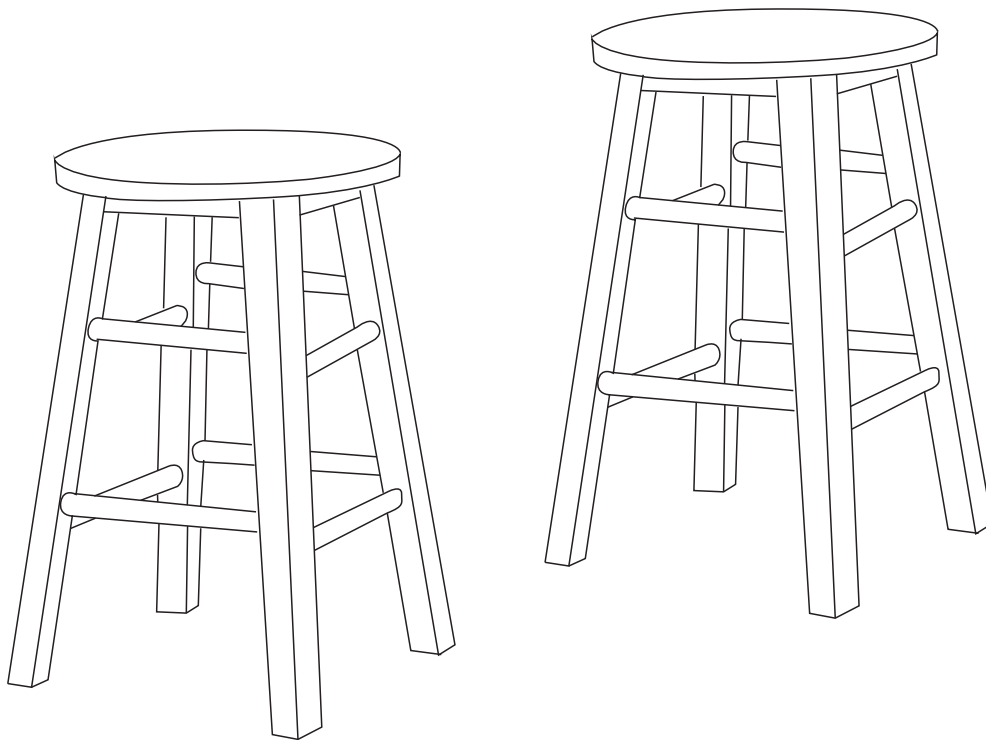
C x 12

H x 1

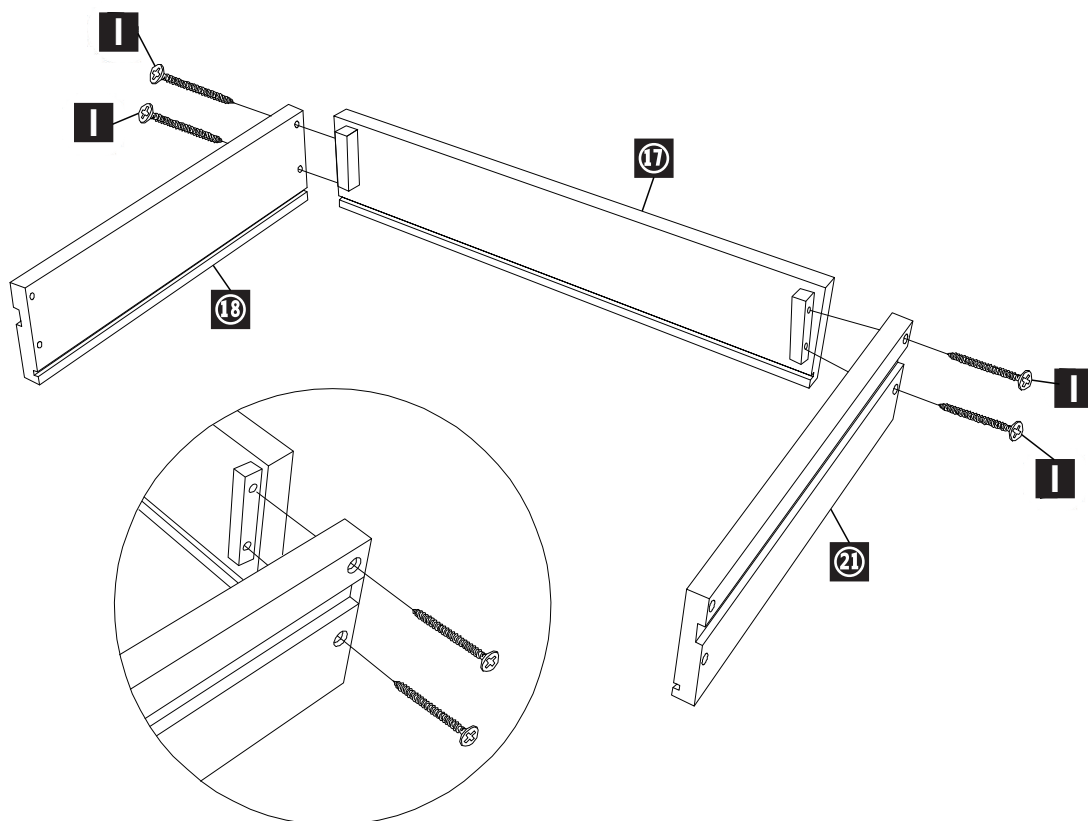


x2



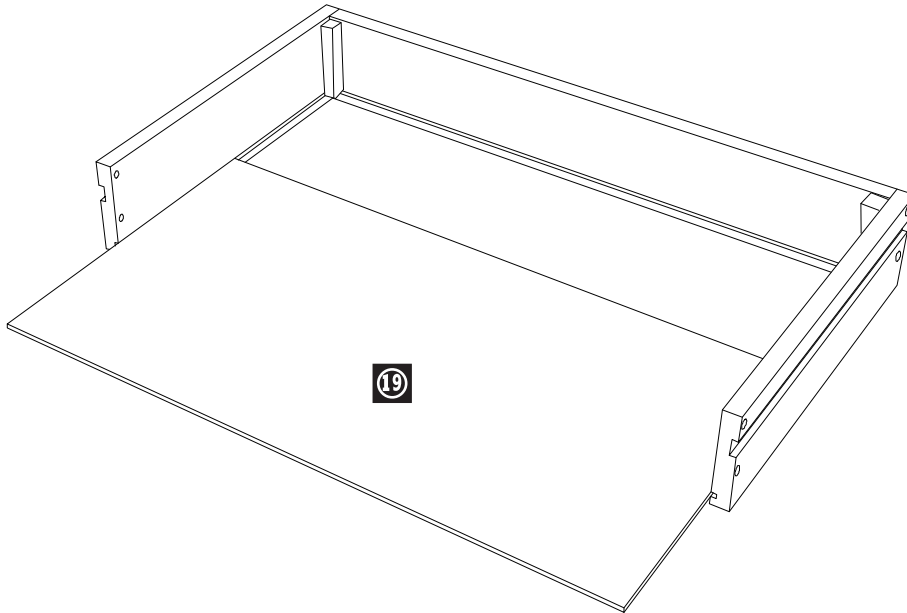
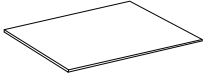


- 17** x 1
- 18** x 1
- 21** x 1
- 1** x 4



12

19 x 1

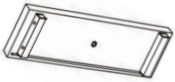


19

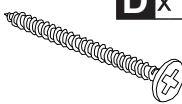
x2

13

16 x 1



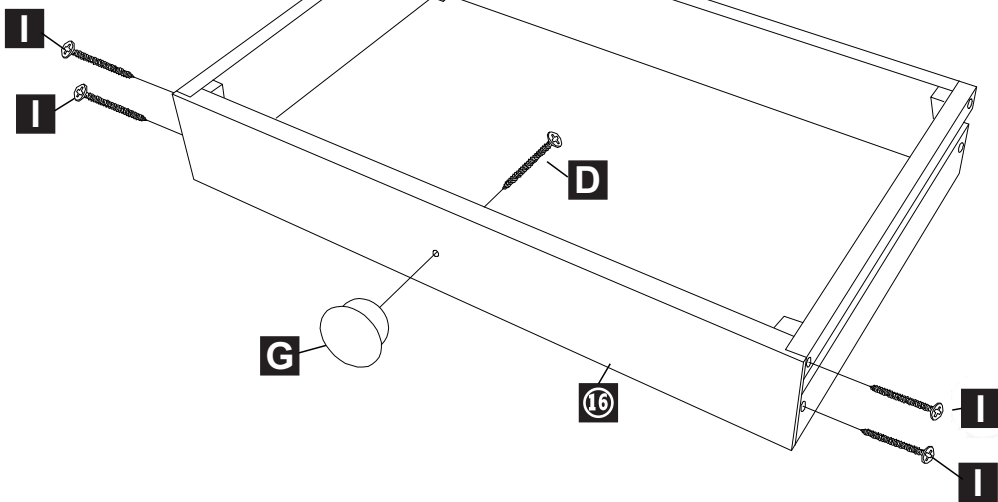
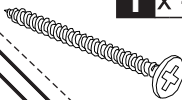
D x 1



G x 1



I x 4



G

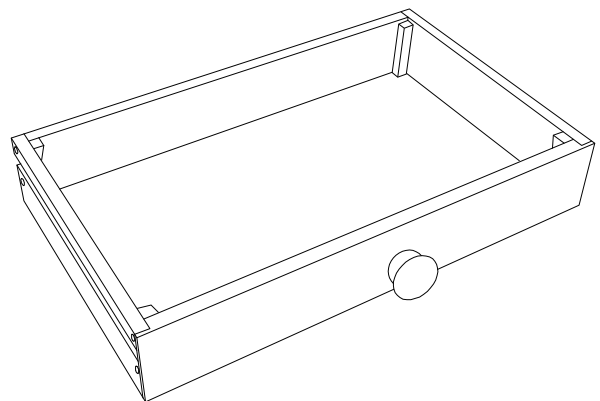
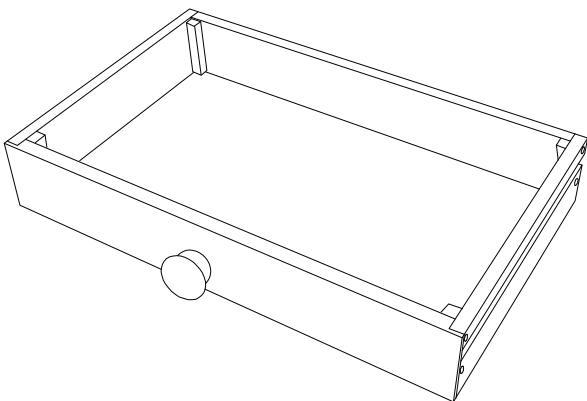
16

I

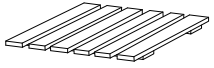
I

x2

14



9 x 2



14 STEP

14 STEP

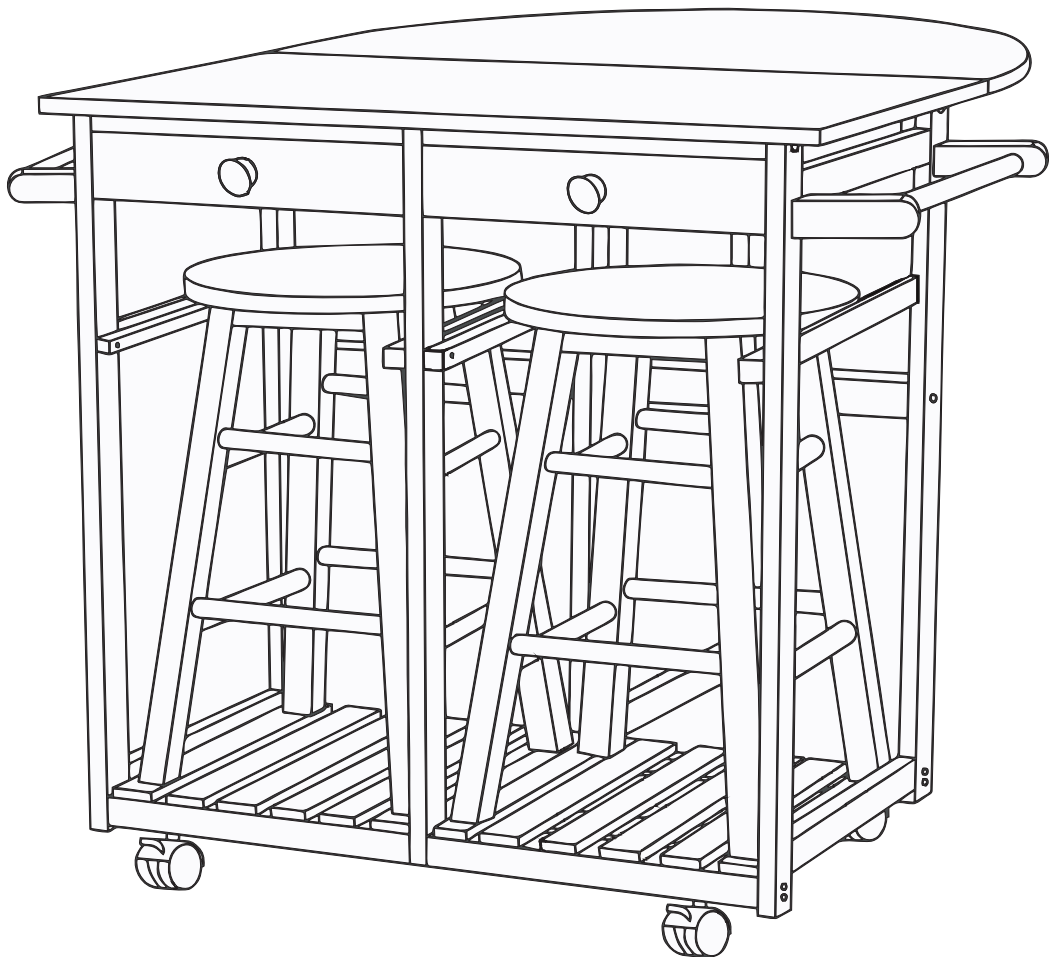
08 STEP

10 STEP

10 STEP

9

9



Done